



US00D510228S

(12) **United States Design Patent**
Huxhold

(10) **Patent No.: US D510,228 S**

(45) **Date of Patent: ** Oct. 4, 2005**

(54) **COOKING SURFACE**

(75) **Inventor: Heinz-Peter Huxhold, Fürth (DE)**

(73) **Assignee: Electrolux Home Products Corporation N.V., Zafentem (BE)**

(**) **Term: 14 Years**

(21) **Appl. No.: 29/188,468**

(22) **Filed: Aug. 19, 2003**

(30) **Foreign Application Priority Data**

Feb. 21, 2003 (DE) 403 01 503

(51) **LOC (8) Cl. 07-02**

(52) **U.S. Cl. D7/346**

(58) **Field of Search** D7/346, 347, 402-409,
D7/323-339; 126/39 B, 211, 215-218,
214 C, 214 R, 152 R; 219/506, 460.1, 443-446,
478-480

(56) **References Cited**

U.S. PATENT DOCUMENTS

D312,748 S	*	12/1990	Jung et al.	D7/407
D384,239 S	*	9/1997	Wilsdorf	D7/346
D451,332 S	*	12/2001	Busalt	D7/346
D464,845 S	*	10/2002	Shin	D7/346
D469,304 S	*	1/2003	Becker et al.	D7/407

* cited by examiner

Primary Examiner—Catherine R. Oliver

(74) *Attorney, Agent, or Firm*—Pearne & Gordon LLP

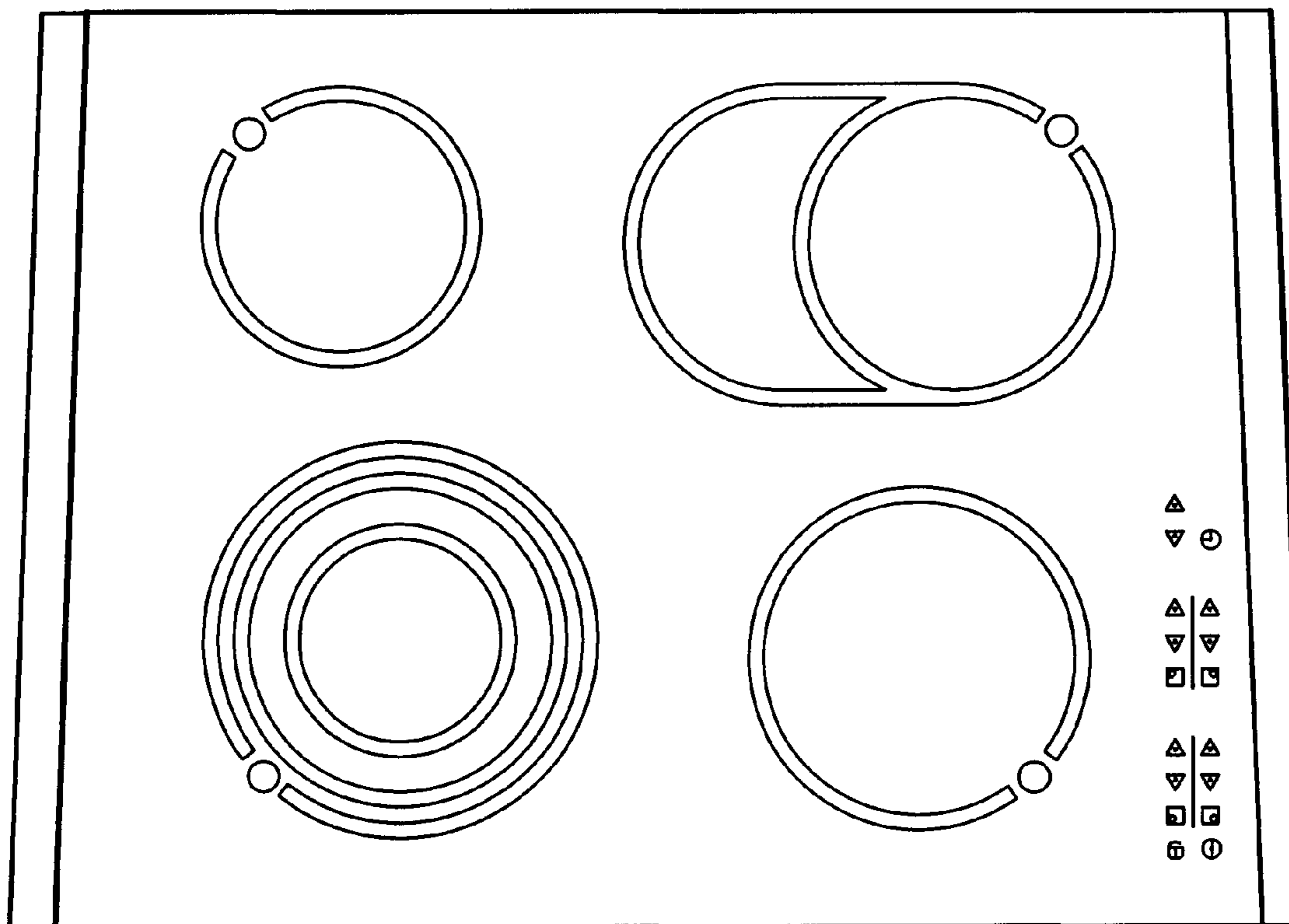
(57) **CLAIM**

The ornamental design for a cooking surface, as shown and described.

DESCRIPTION

FIG. 1 is a top plan view of a cooking surface showing my new design.

1 Claim, 1 Drawing Sheet



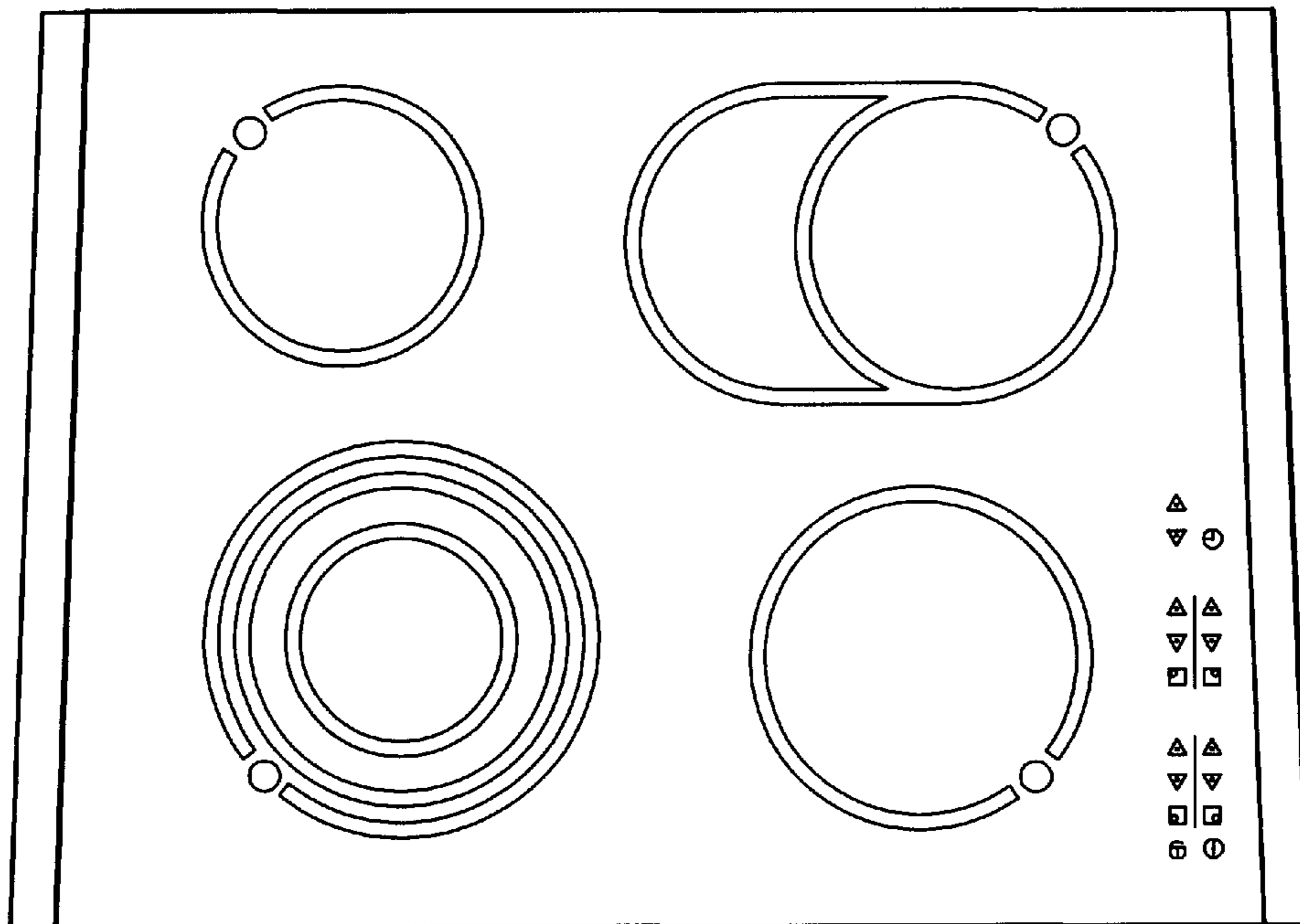


FIG. 1

UNITED STATES PATENT AND TRADEMARK OFFICE
CERTIFICATE OF CORRECTION

PATENT NO. : Des. 510,228 S
DATED : October 4, 2005
INVENTOR(S) : Heinz-Peter Huxhold

Page 1 of 1

It is certified that error appears in the above-identified patent and that said Letters Patent is hereby corrected as shown below:

Title page.

Item [73], Assignee, please delete “**Electrolux Home Products Corporation N.V., Zafentem (BE)**” and insert therefore -- **Electrolux Home Products Corporation N.V., Zaventem (BE)** --.

Signed and Sealed this

Thirteenth Day of December, 2005

A handwritten signature in black ink on a light gray dotted background. The signature reads "Jon W. Dudas" in a cursive style.

JON W. DUDAS

Director of the United States Patent and Trademark Office