



US00D510224S

(12) **United States Design Patent**  
**Yu et al.**

(10) **Patent No.:** **US D510,224 S**  
(45) **Date of Patent:** **\*\* Oct. 4, 2005**

(54) **WINDOW SHADE HAVING ADJUSTABLE PANELS**

(75) Inventors: **Fu-Lai Yu**, San Hsia (TW); **Chin-Tien Huang**, San Hsia (TW); **Shun-Chi Yu**, San Hsia (TW)

(73) Assignee: **Teh Yor Industrial Co., Ltd.**, Taiwan (CN)

(\*\*) Term: **14 Years**

(21) Appl. No.: **29/210,965**

(22) Filed: **Aug. 9, 2004**

(51) **LOC (8) Cl.** ..... **06-10**

(52) **U.S. Cl.** ..... **D6/575**

(58) **Field of Search** ..... D6/577, 575, 580; 160/84.01, 84.05, 84.06, 231.1, 236, 113, 115, 279

(56) **References Cited**

**U.S. PATENT DOCUMENTS**

2,267,869	A	12/1941	Loehr	.....	160/89
4,753,281	A	* 6/1988	Wagner	.....	160/84.06
4,951,729	A	8/1990	Chi Yu	.....	160/178.3
5,165,459	A	11/1992	Gaber et al.	.....	160/168.1 R
5,375,642	A	12/1994	Gaber et al.	.....	160/168.1 R
5,409,050	A	4/1995	Hong	.....	160/168.1 R
5,582,226	A	12/1996	Voss et al.	.....	160/168.1 R
5,680,891	A	10/1997	Prince	.....	160/84.05
5,733,632	A	3/1998	Marusak	.....	428/181
5,787,951	A	8/1998	Tomomura et al.	.....	160/84.01
5,845,690	A	12/1998	Colson et al.	.....	160/84.01
5,918,655	A	7/1999	Corey	.....	160/84.05
6,006,812	A	12/1999	Corey	.....	160/84.05
6,029,734	A	2/2000	Wang et al.	.....	160/170
6,354,353	B1	3/2002	Green et al.	.....	160/84.04

D468,950	S	* 1/2003	Judkins	.....	D6/575
2003/0127196	A1	7/2003	Corey et al.	.....	160/84.05
2003/0188835	A1	10/2003	Corey et al.	.....	160/84.05

**FOREIGN PATENT DOCUMENTS**

DE 28 44 891 A1 4/1980

\* cited by examiner

*Primary Examiner*—Holly Baynham

(74) *Attorney, Agent, or Firm*—Olson & Hierl, Ltd.

(57) **CLAIM**

The ornamental design for a window shade having adjustable panels, as shown and described.

**DESCRIPTION**

FIG. 1 is a perspective view of the window shade having adjustable panels, in which the window shade is in a pulled-down condition and the panels are in a closed position;

FIG. 2 is a front elevational view of the window shade of FIG. 1;

FIG. 3 is a rear elevational view of the window shade of FIG. 1;

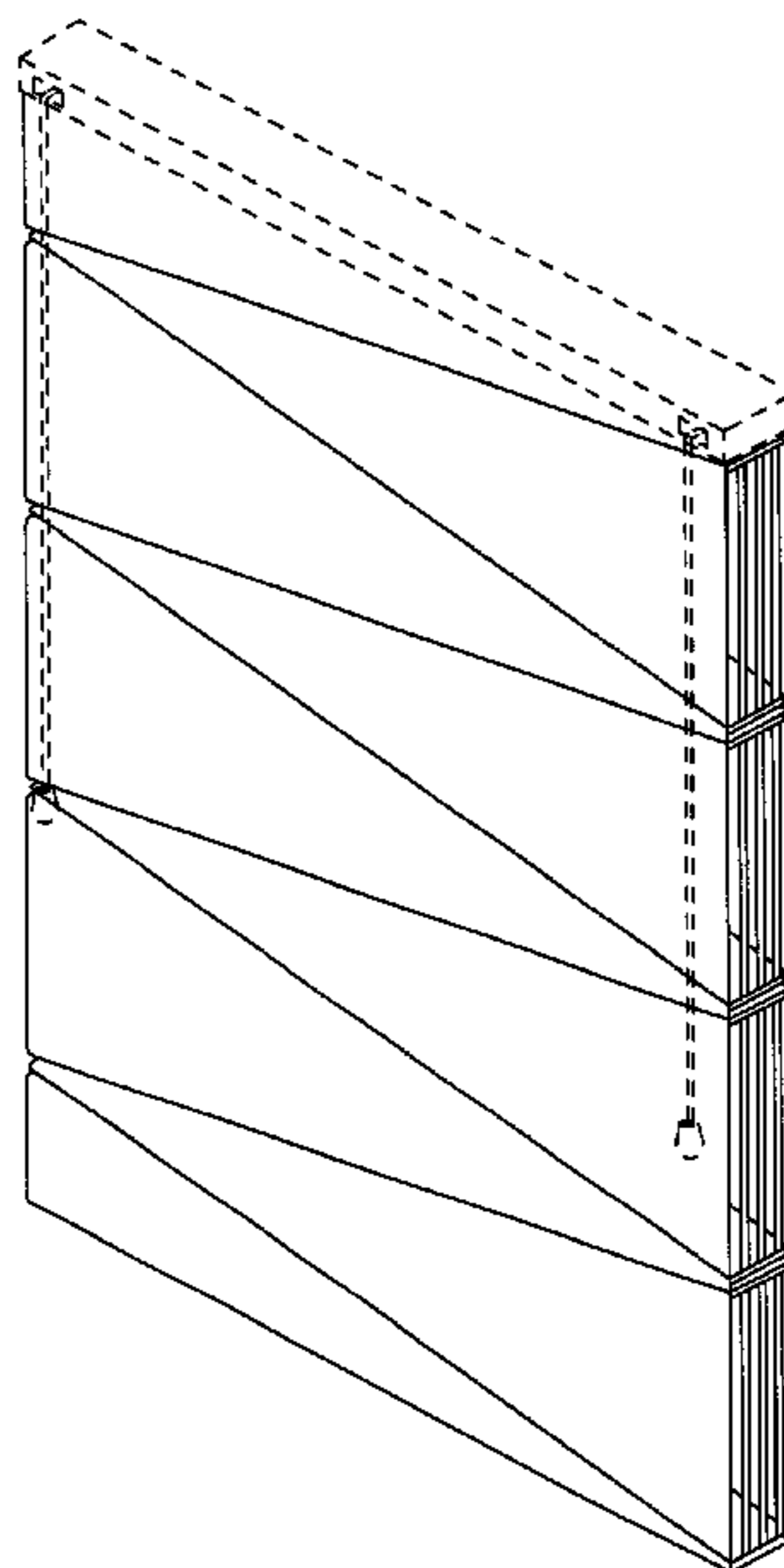
FIG. 4 is a left-side elevational view of the window shade of FIG. 1;

FIG. 5 is a right-side elevational view of the window shade of FIG. 1;

FIG. 6 is a perspective view of the window shade of FIG. 1; wherein the panels are in a partially opened condition; and, FIG. 7 is a perspective view of the window shade of FIG. 1 in a pulled-up condition.

The broken line showing of a headrail and pull string is for illustrative purposes only and forms no part of the claimed design.

**1 Claim, 6 Drawing Sheets**



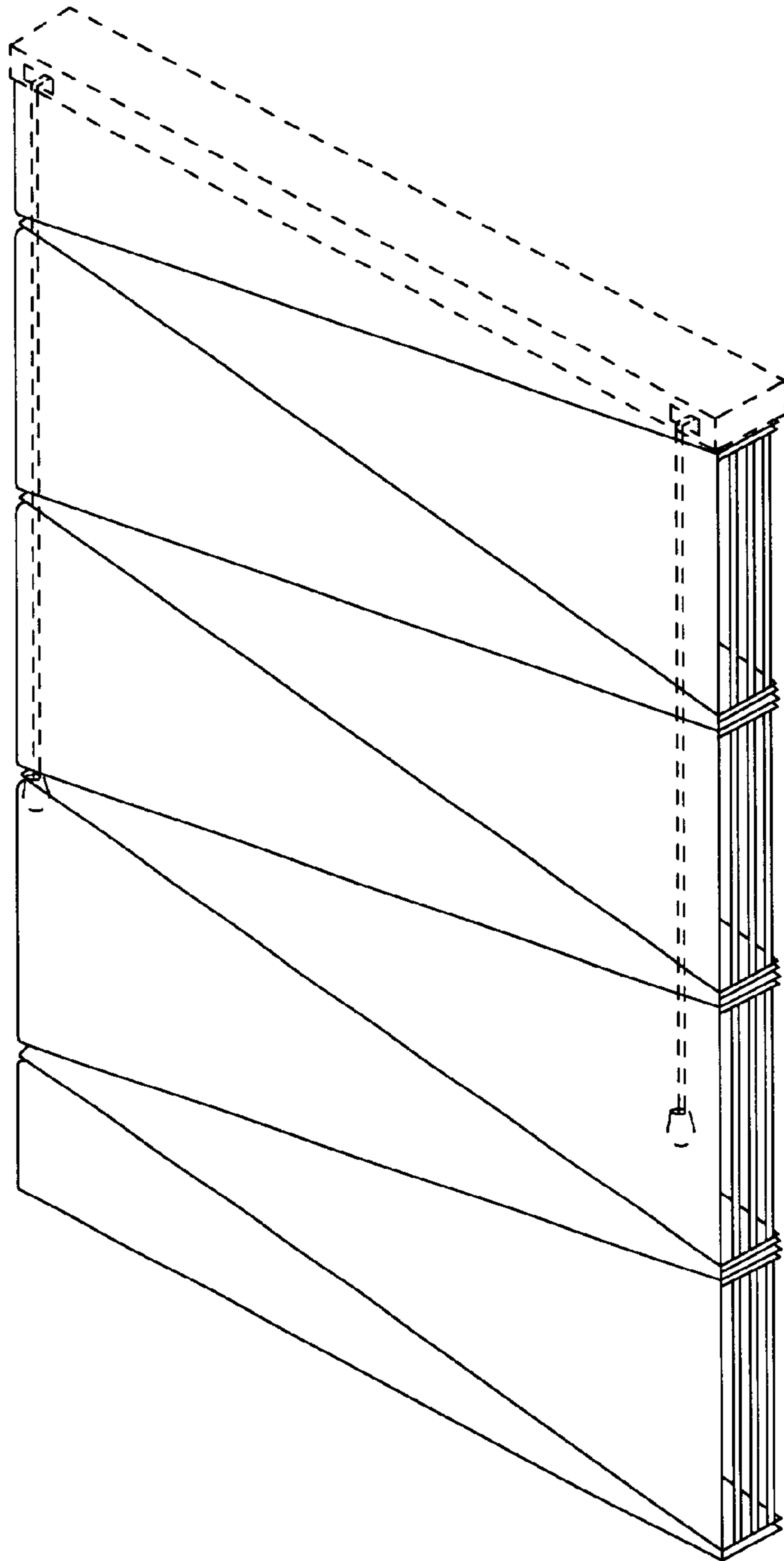


FIG. 1

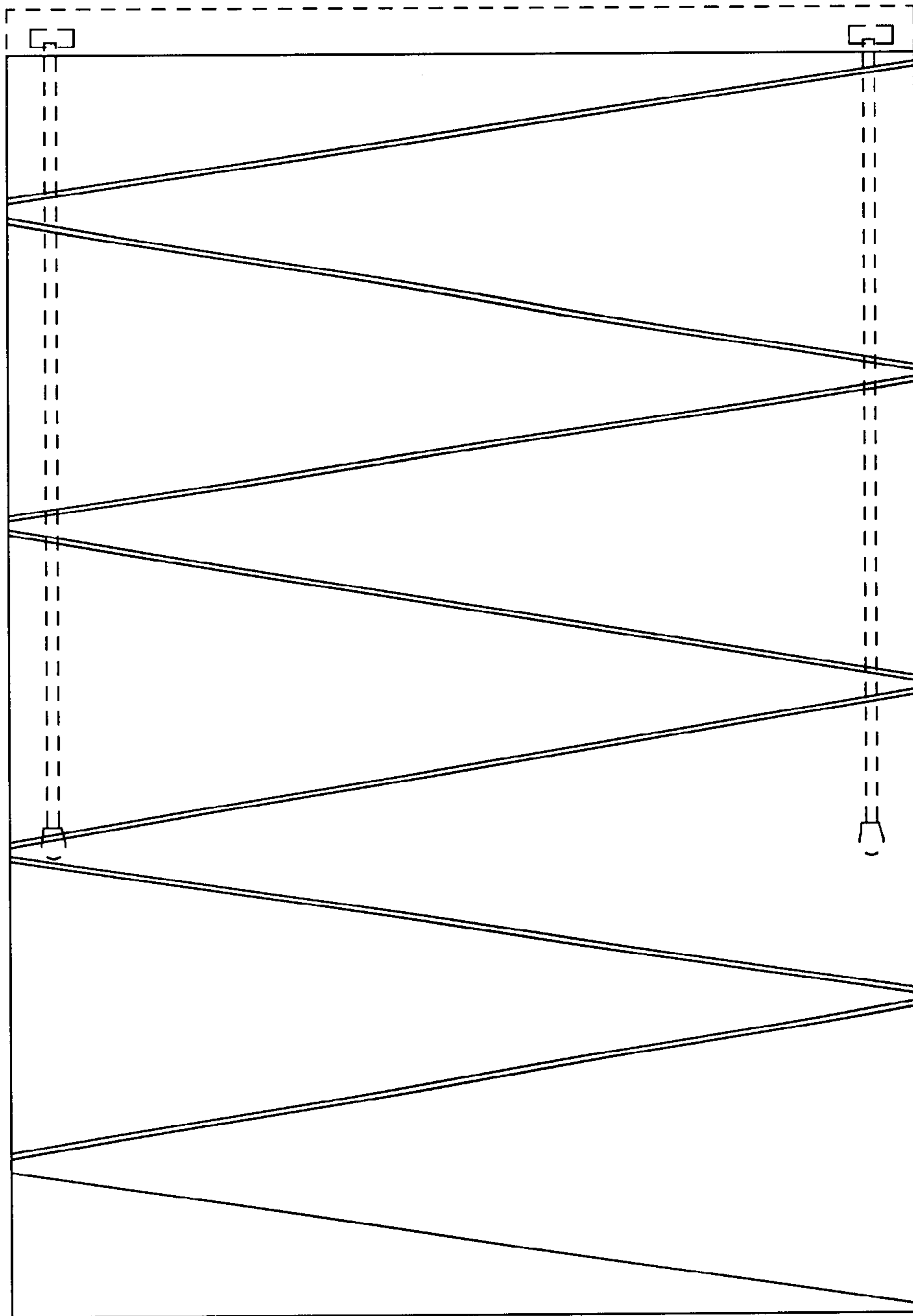
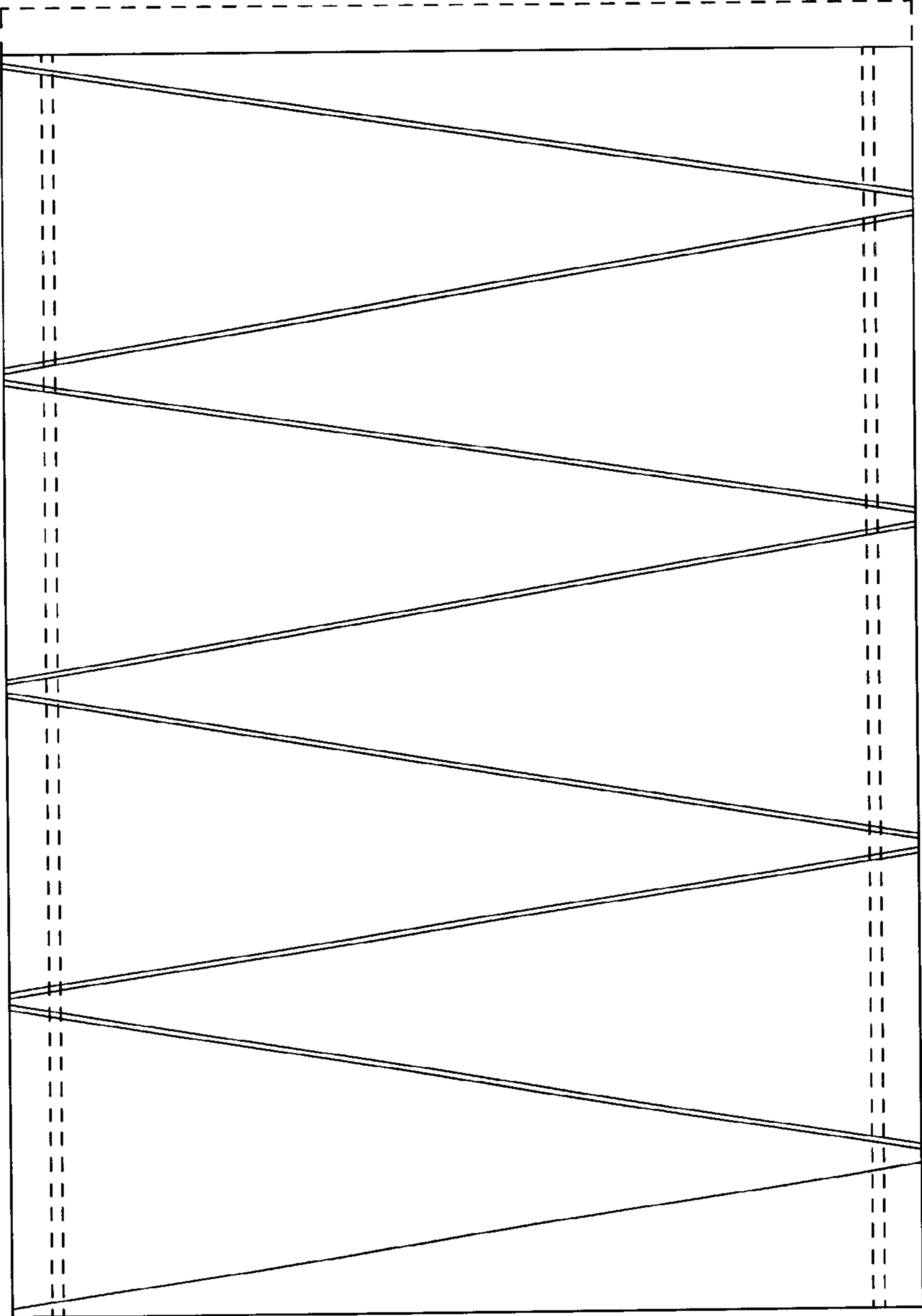
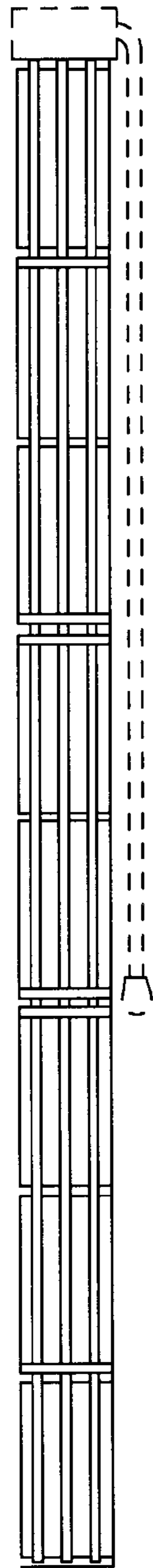


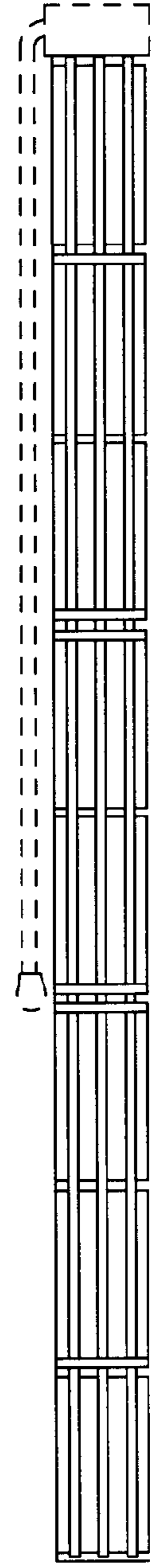
FIG. 2



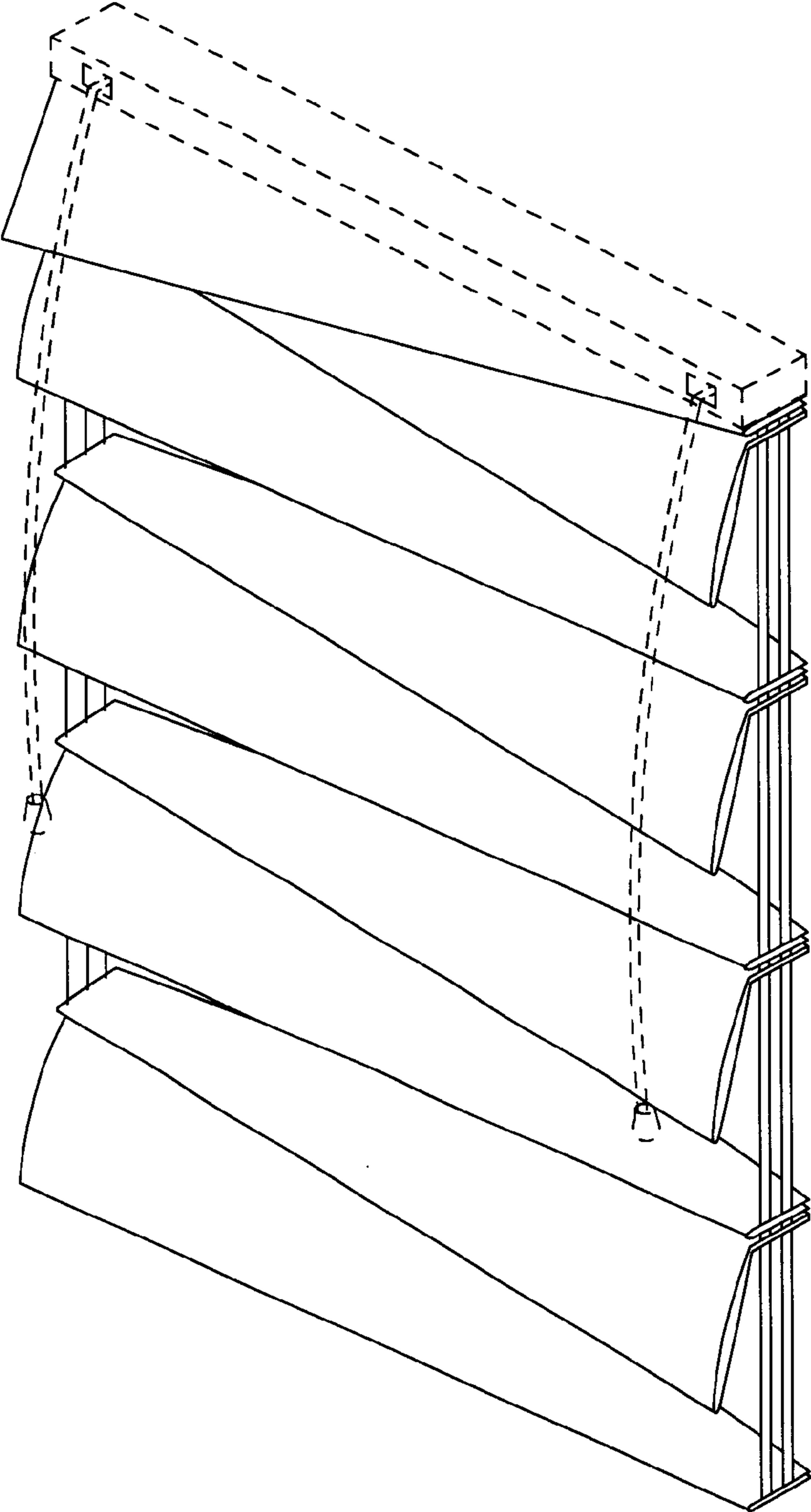
**FIG. 3**



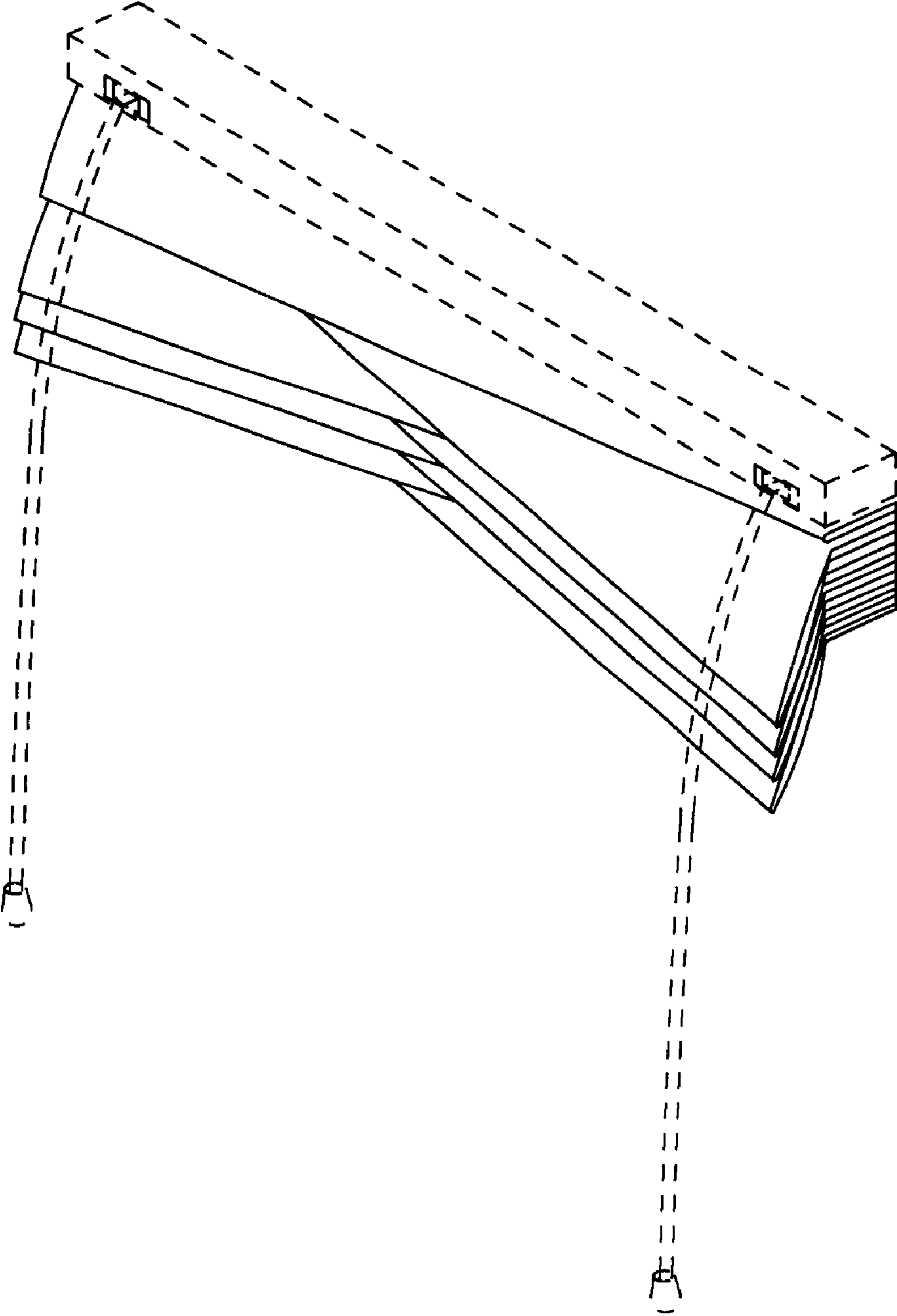
**FIG. 4**



**FIG. 5**



**FIG. 6**



**FIG. 7**