



US00D510223S

(12) **United States Design Patent** (10) **Patent No.:** **US D510,223 S**
Jablow et al. (45) **Date of Patent:** **** Oct. 4, 2005**

(54) **SHELVING**

(75) Inventors: **David B. Jablow**, Warren, NJ (US);
Alan J. Kaufman, Warren, NJ (US);
Enrico Spinelli, Stabbia (IT); **Michael Miller**, Fort Lee, NJ (US); **Jack Miller**, Englewood Cliffs, NJ (US)

(73) Assignee: **Tube Technology LLC**, Newark, NJ (US)

(**) Term: **14 Years**

(21) Appl. No.: **29/196,169**

(22) Filed: **Dec. 22, 2003**
(Under 37 CFR 1.47)

Related U.S. Application Data

(63) Continuation-in-part of application No. 29/173,600, filed on Dec. 31, 2002, now Pat. No. Des. 487,369.

(51) **LOC (8) Cl.** **06-04**

(52) **U.S. Cl.** **D6/574**

(58) **Field of Search** D6/511, 574; 108/54.1, 108/102; 211/72, 86.01, 88.01, 88.02, 88.03, 90.01, 90.02, 126.1, 134

(56) **References Cited**

U.S. PATENT DOCUMENTS

D105,885 S 8/1937 McDonald

2,885,090 A	5/1959	Forman et al.
D214,923 S	8/1969	Schier et al.
3,563,182 A	2/1971	MacFarlane et al.
D282,995 S	3/1986	Beverly
4,603,781 A	8/1986	Ryan, Jr.
4,936,467 A	6/1990	Bobeczko
5,228,581 A	7/1993	Palladino et al.
D385,140 S	10/1997	Whitehead et al.
D455,585 S	4/2002	West

Primary Examiner—Brian N Vinson

(74) *Attorney, Agent, or Firm*—Warner Norcross & Judd LLP

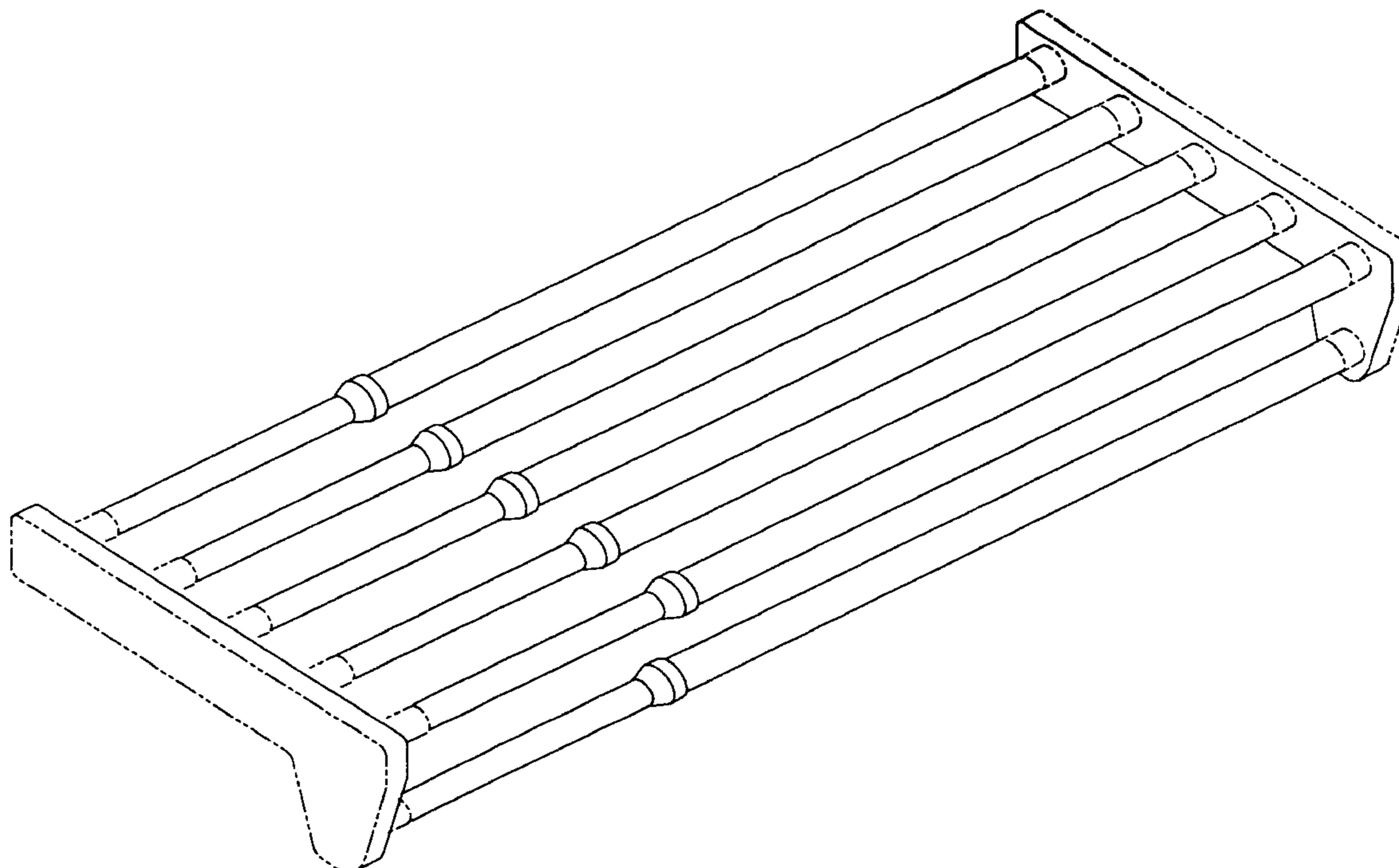
(57) **CLAIM**

The ornamental design for shelving, as shown and described.

DESCRIPTION

FIG. 1 is a perspective view of the shelving embodying the new design;
 FIG. 2 is a right side elevational view thereof, the left side being a mirror image thereof;
 FIG. 3 is a top plan view thereof;
 FIG. 4 bottom plan view thereof;
 FIG. 5 is a front elevational view thereof; and,
 FIG. 6 is a rear elevational view thereof.
 The broken lines in FIGS. 1–6 represent environmental structure and form no part of the claimed design in the respective embodiments.

1 Claim, 4 Drawing Sheets



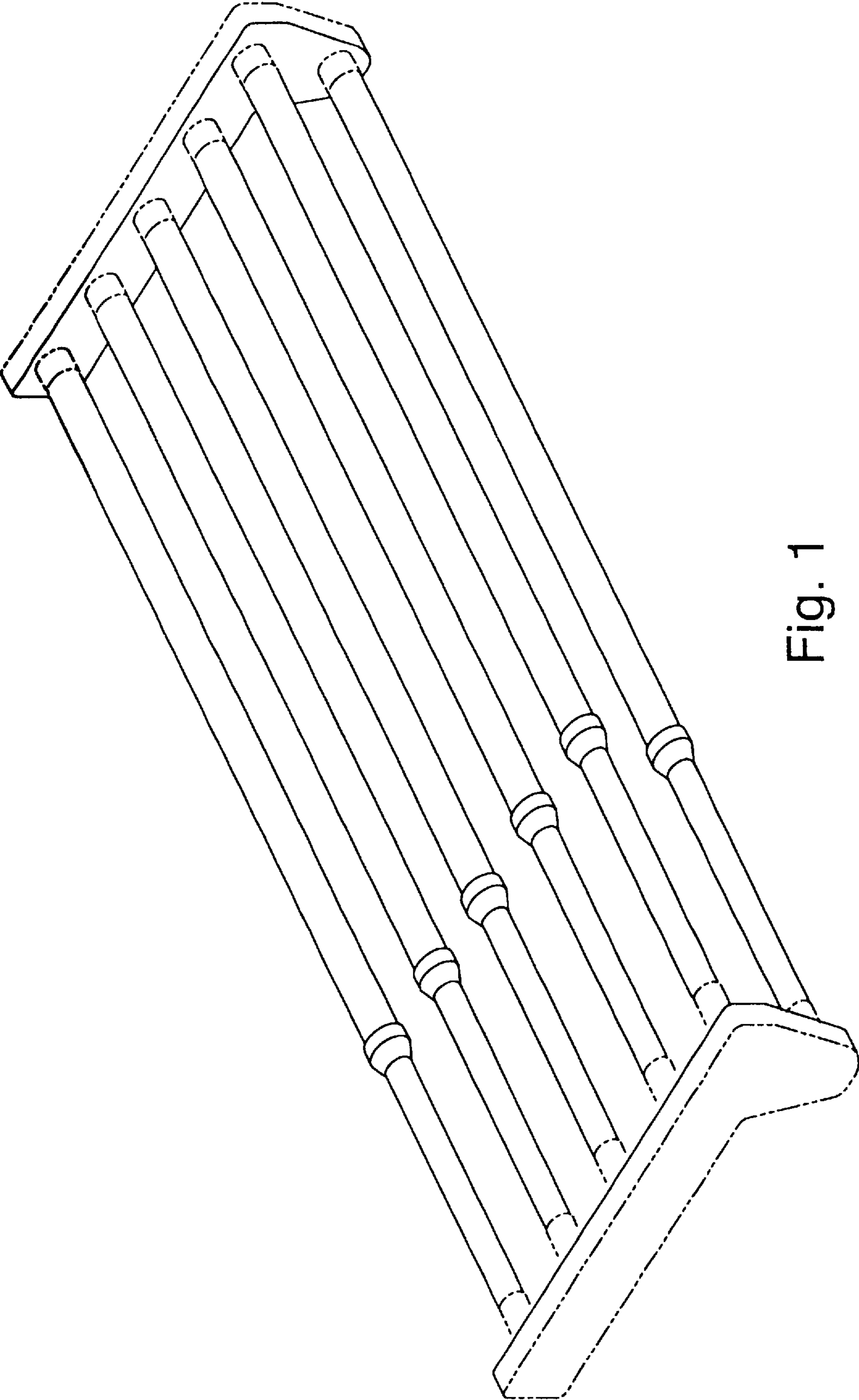


Fig. 1

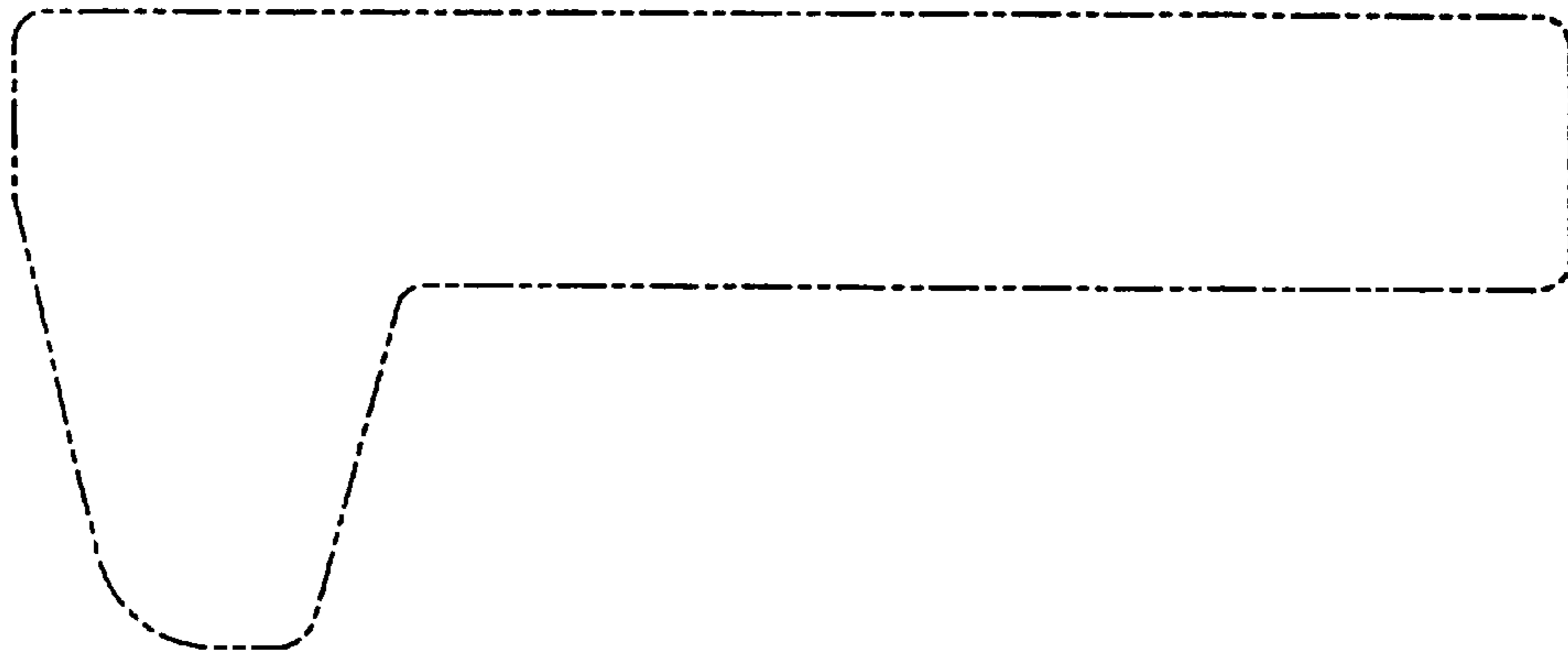


Fig. 2

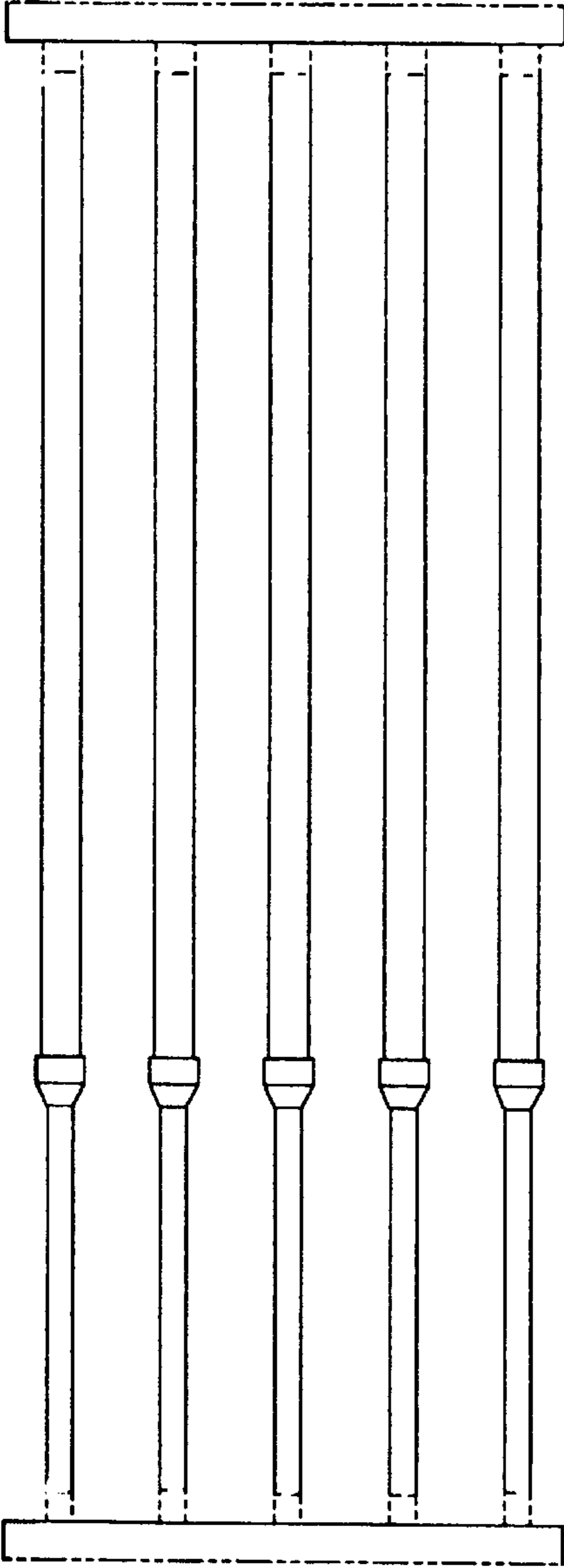


Fig. 3

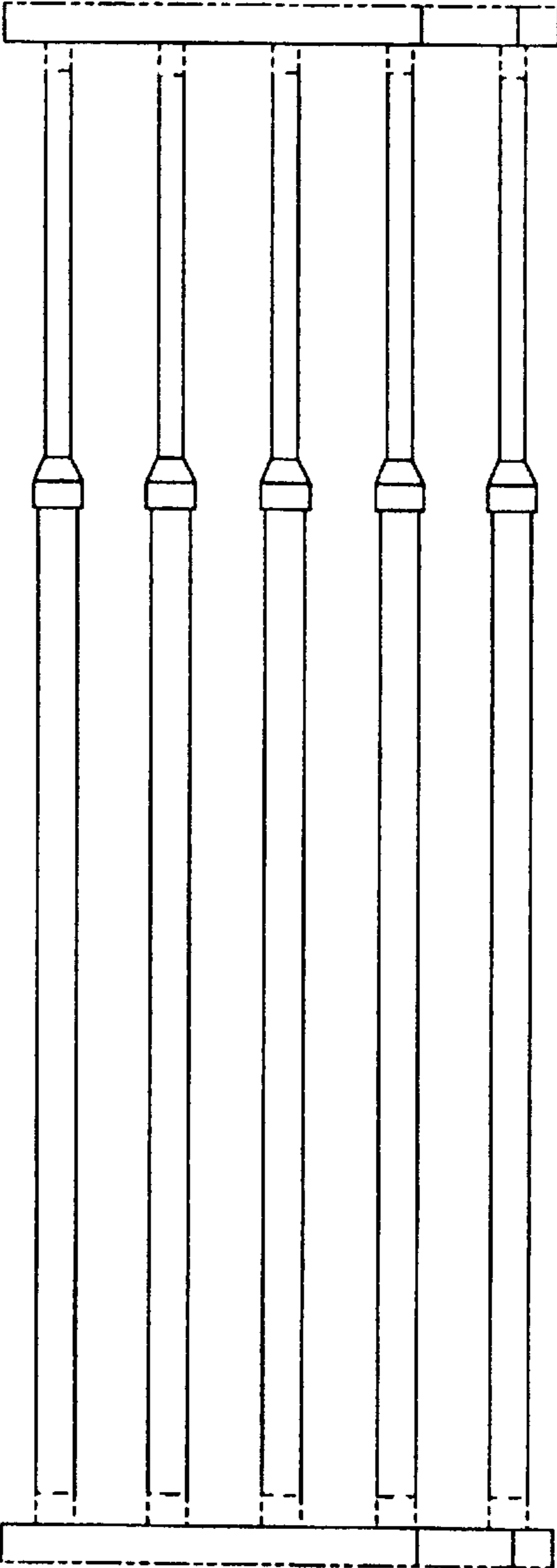


Fig. 4

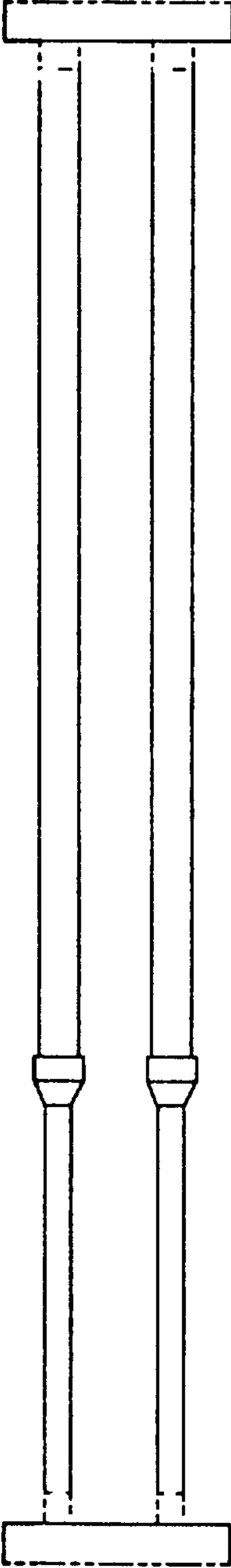


Fig. 5

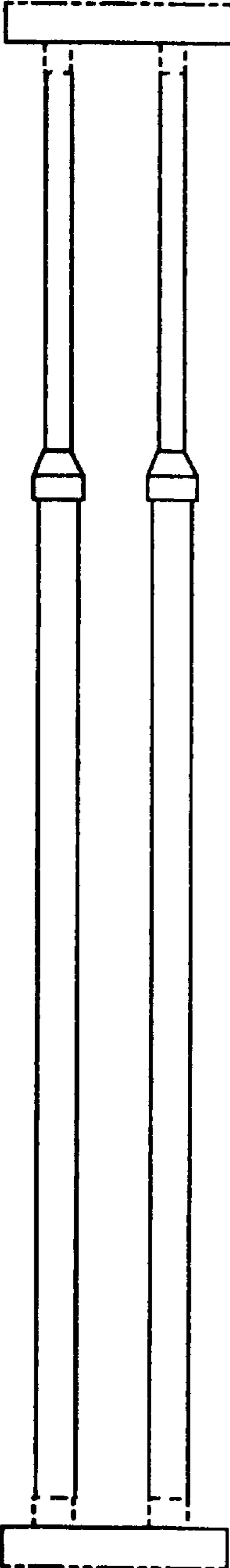


Fig. 6