



US00D510216S

(12) **United States Design Patent** (10) **Patent No.:** **US D510,216 S**  
**Ripper et al.** (45) **Date of Patent:** **\*\* Oct. 4, 2005**

(54) **SEAT BACK**

(75) Inventors: **Brett Ripper**, Chicora, PA (US);  
**Stephanie Slear**, Butler, PA (US); **Carl Slear**, Butler, PA (US)

(73) Assignee: **Keystone Ridge Designs, Inc.**, Butler, PA (US)

(\*\*) Term: **14 Years**

(21) Appl. No.: **29/188,969**

(22) Filed: **Aug. 26, 2003**

(51) **LOC (8) Cl.** ..... **06-01**

(52) **U.S. Cl.** ..... **D6/502**

(58) **Field of Search** ..... D6/334-336, 370-374,  
D6/379-381, 500-502; 297/232, 445.1,  
446.1, 447.1

(56) **References Cited**

**U.S. PATENT DOCUMENTS**

D238,635 S	*	2/1976	Curtin	.....	D6/336
D257,808 S	*	1/1981	Haggard	.....	D6/370
D392,807 S		3/1998	Marks	.....	D6/301
D406,701 S	*	3/1999	Slear	.....	D6/376
D446,399 S	*	8/2001	Slear	.....	D6/370

**OTHER PUBLICATIONS**

New Century Bed. Catalog [online]. Thos. Moser, 2002 [Retrieved on Nov. 8, 2004]. Retrieved from the Internet: <URL: www.thosmoser.com>.\*

English Bench. Catalog [online]. Thos. Moser, 2002 [Retrieved on Nov. 8, 2004]. Retrieved from the Internet: <URL: www.thosmoser.com>.\*

0287/KEY Buyline 7880. Vol. 1. McGraw Hill Construction Sweets Catalog File 2004.\*

*The Lutyens Bench*, Wood Classics and Teakscapes. June 3, 2003.

*Jackson Settee*, Weatherend Estate Furniture. Aug. 14, 2003.

*Japanese "shoji" screen*. (A) Jun. 3, 2003.

*Japanese "shoji" Screen*. (B) Jun. 3, 2003.

*Japanese "shoji" lamp*. Jun. 3, 2003.

*Japanese bridge*. Jun. 3, 2003.

\* cited by examiner

*Primary Examiner*—Robert M. Spear

*Assistant Examiner*—Vy Nguyen

(74) *Attorney, Agent, or Firm*—Heslin Rothenberg Farley & Mesiti P.C.; John Pietrangelo

(57) **CLAIM**

The ornamental design for a seat back, as shown and described.

**DESCRIPTION**

FIG. 1 is a perspective view of a seat back comprising the new design;

FIG. 2 is a top view thereof;

FIG. 3 is a front elevational view thereof;

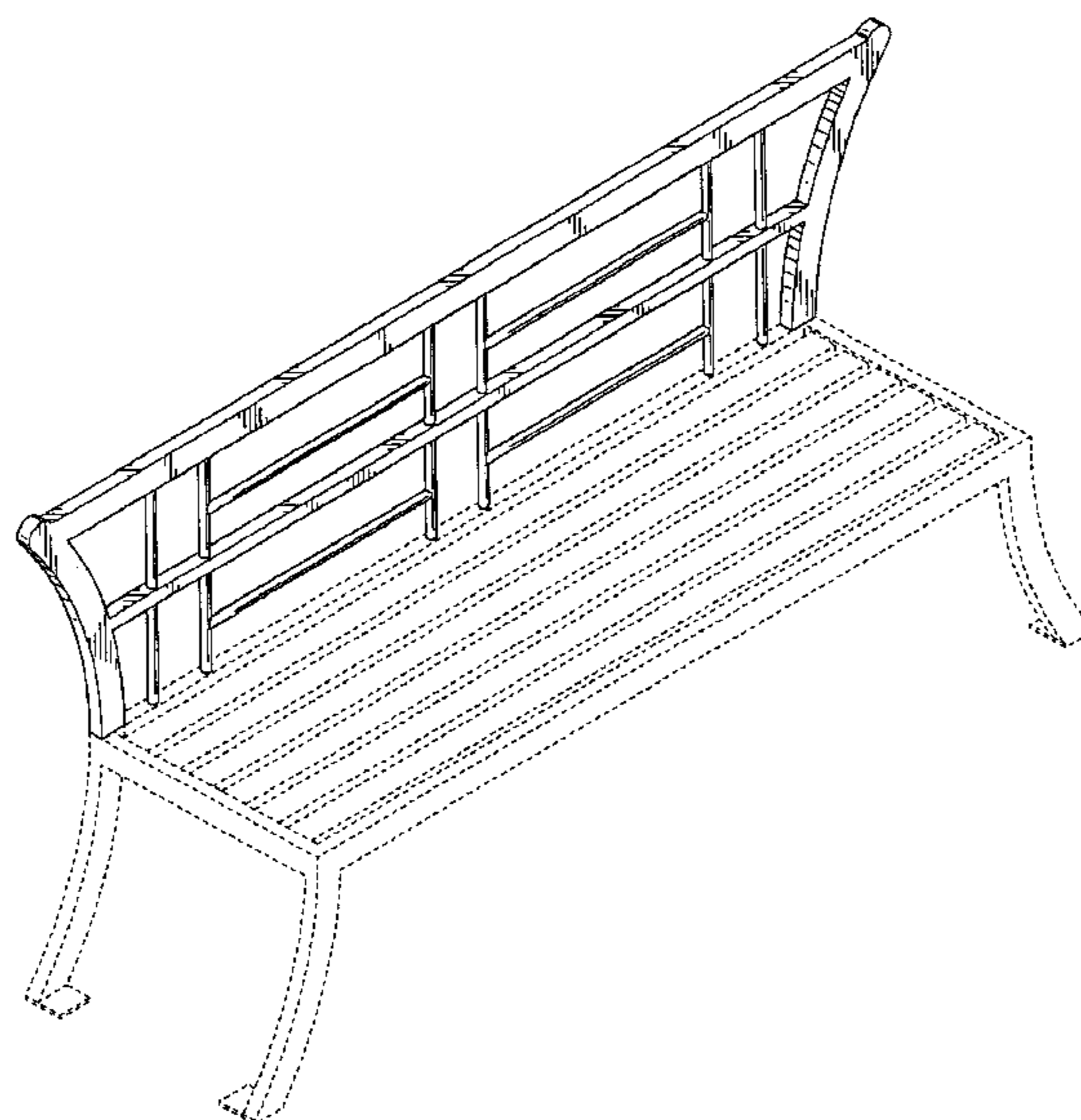
FIG. 4 is a right side elevational view thereof, where the left side elevational view is a mirror image thereof;

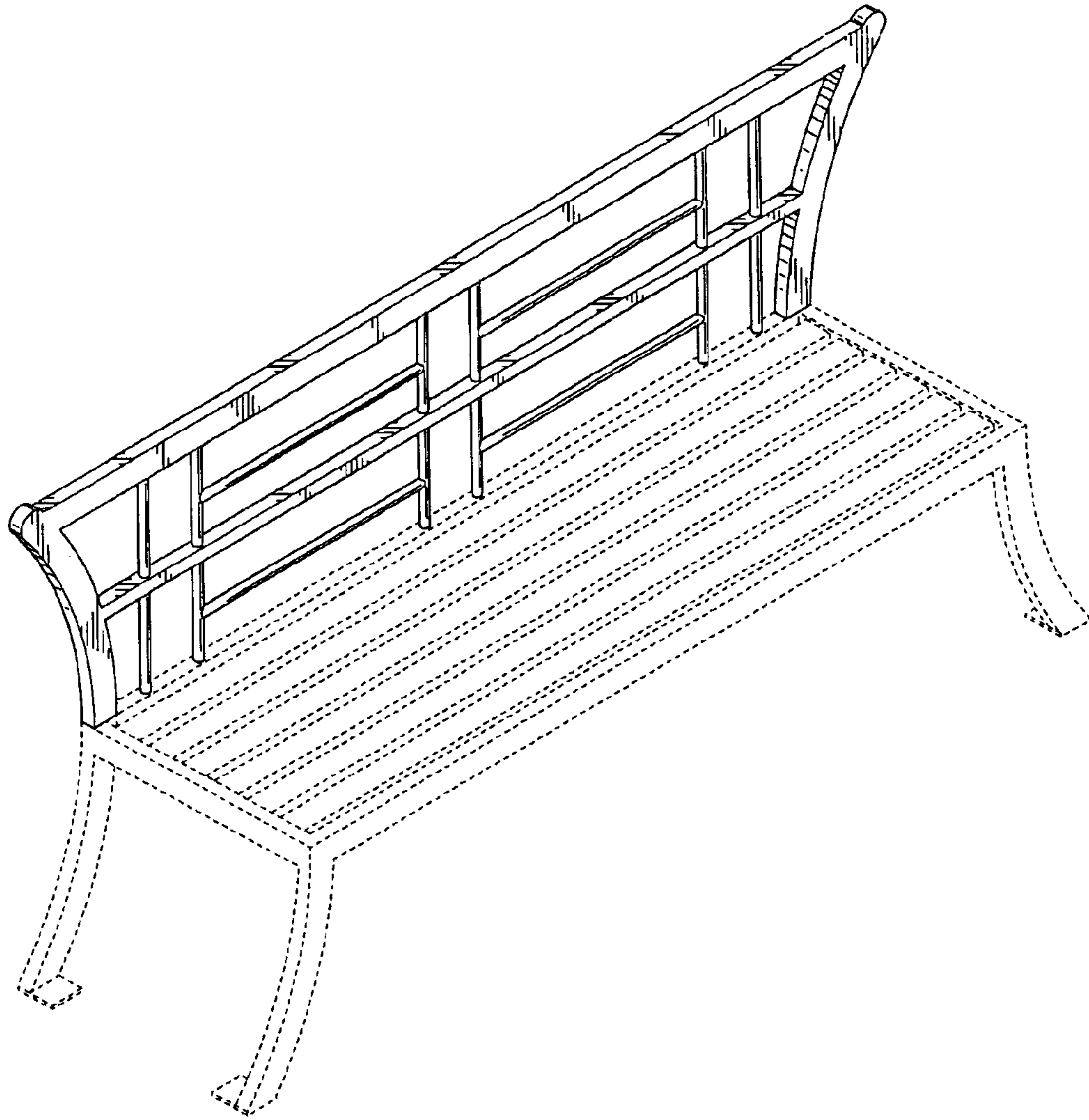
FIG. 5 is a rear elevational view thereof; and,

FIG. 6 is a perspective view of an alternate embodiment of a seat back, portions of which are cut away to illustrate indeterminate length, which is the sole difference between it and FIGS. 1 through 5.

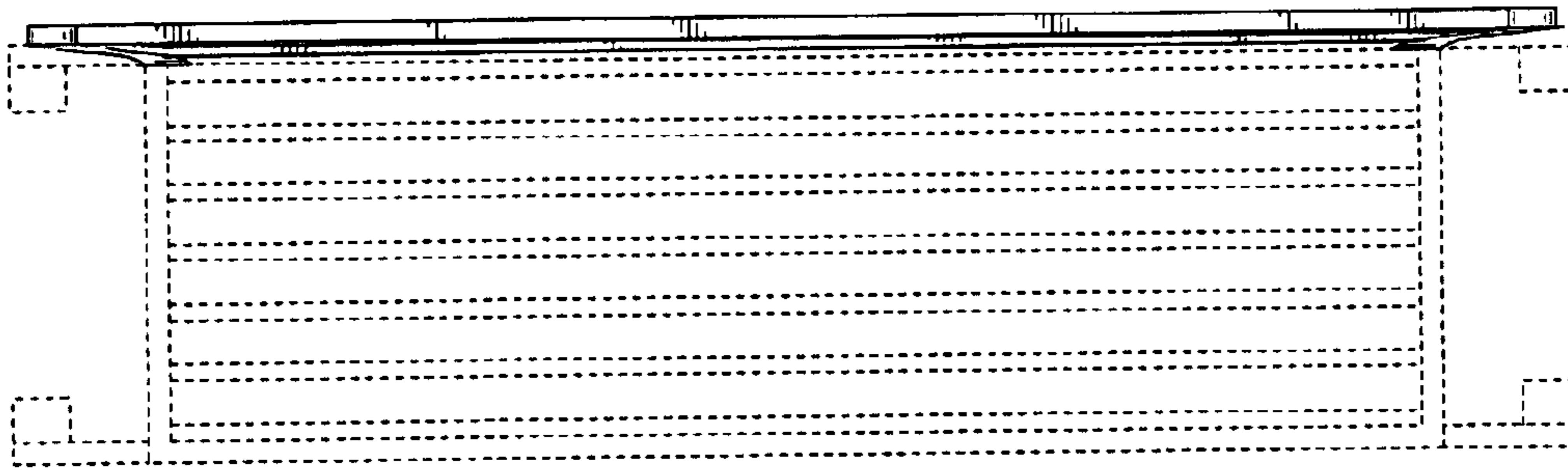
The broken lines are for illustrative purposes and form no part of the claimed design.

**1 Claim, 4 Drawing Sheets**

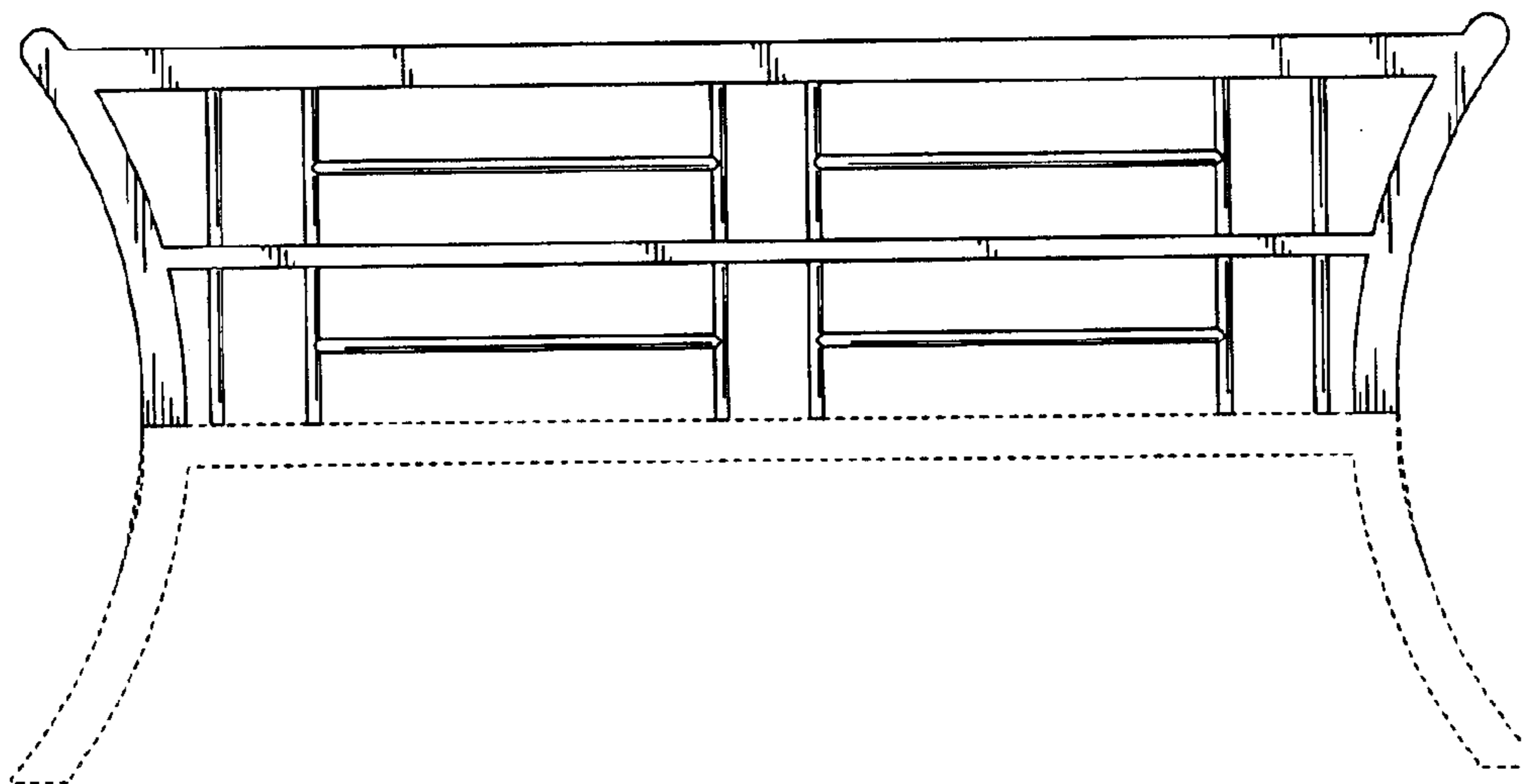




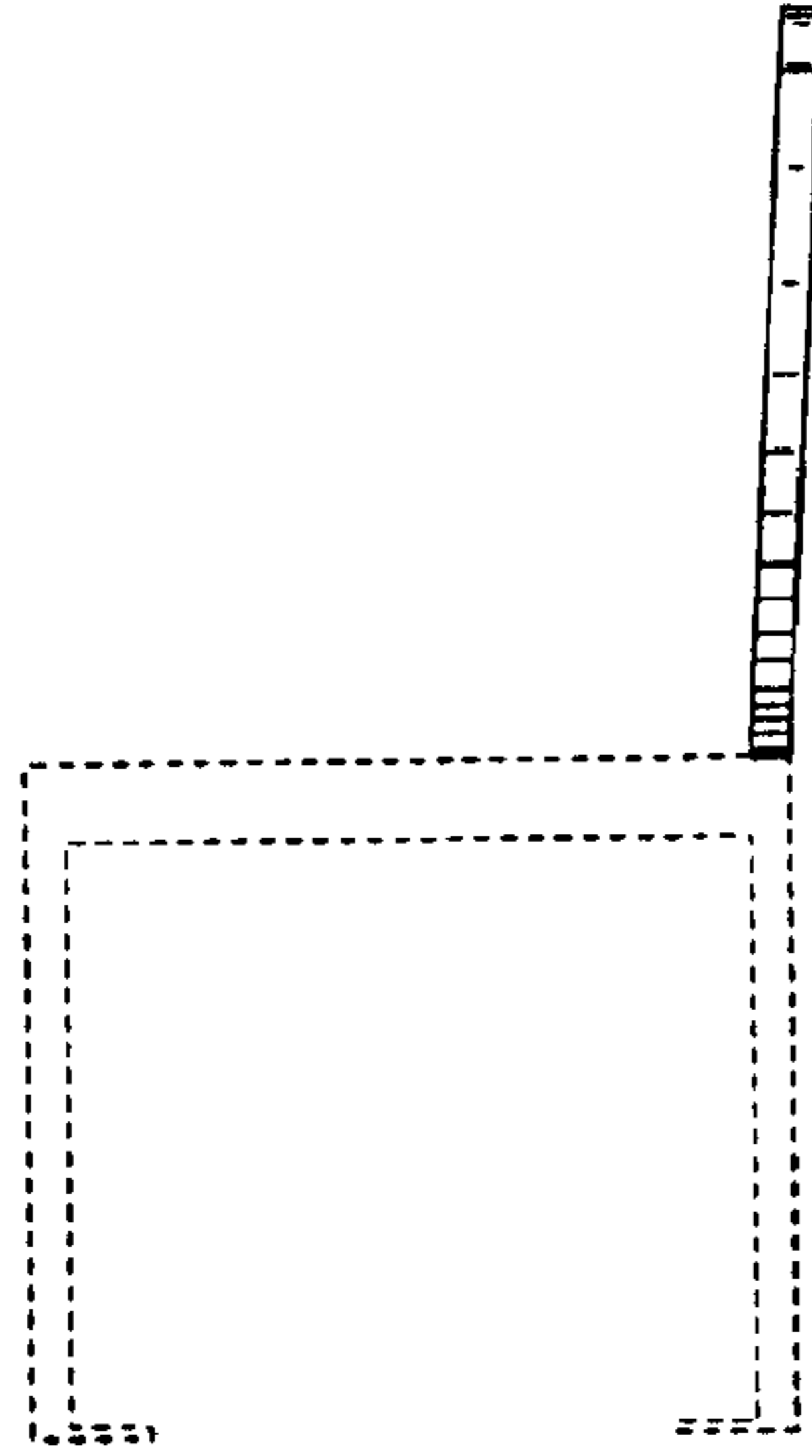
**FIG. 1**



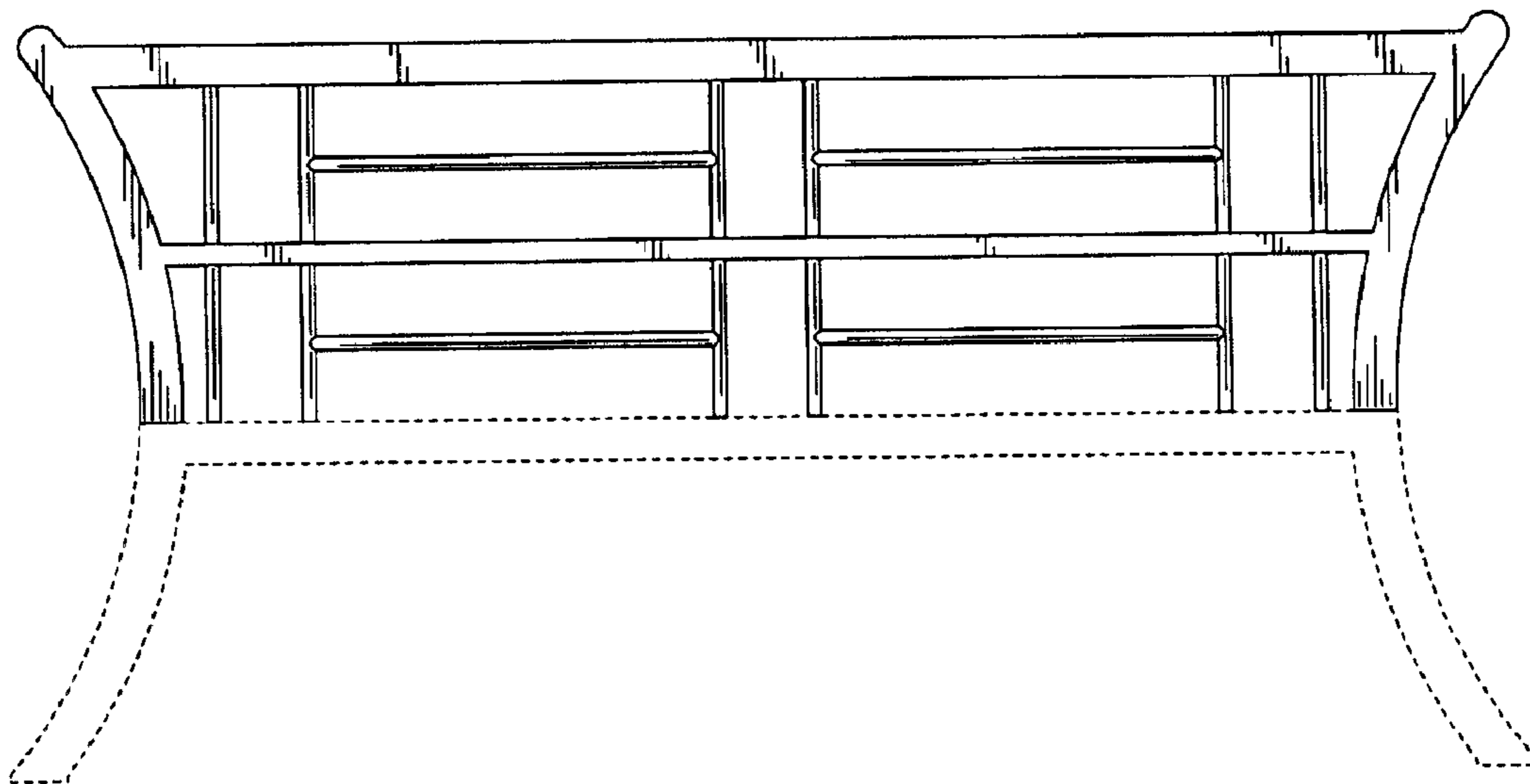
**FIG. 2**



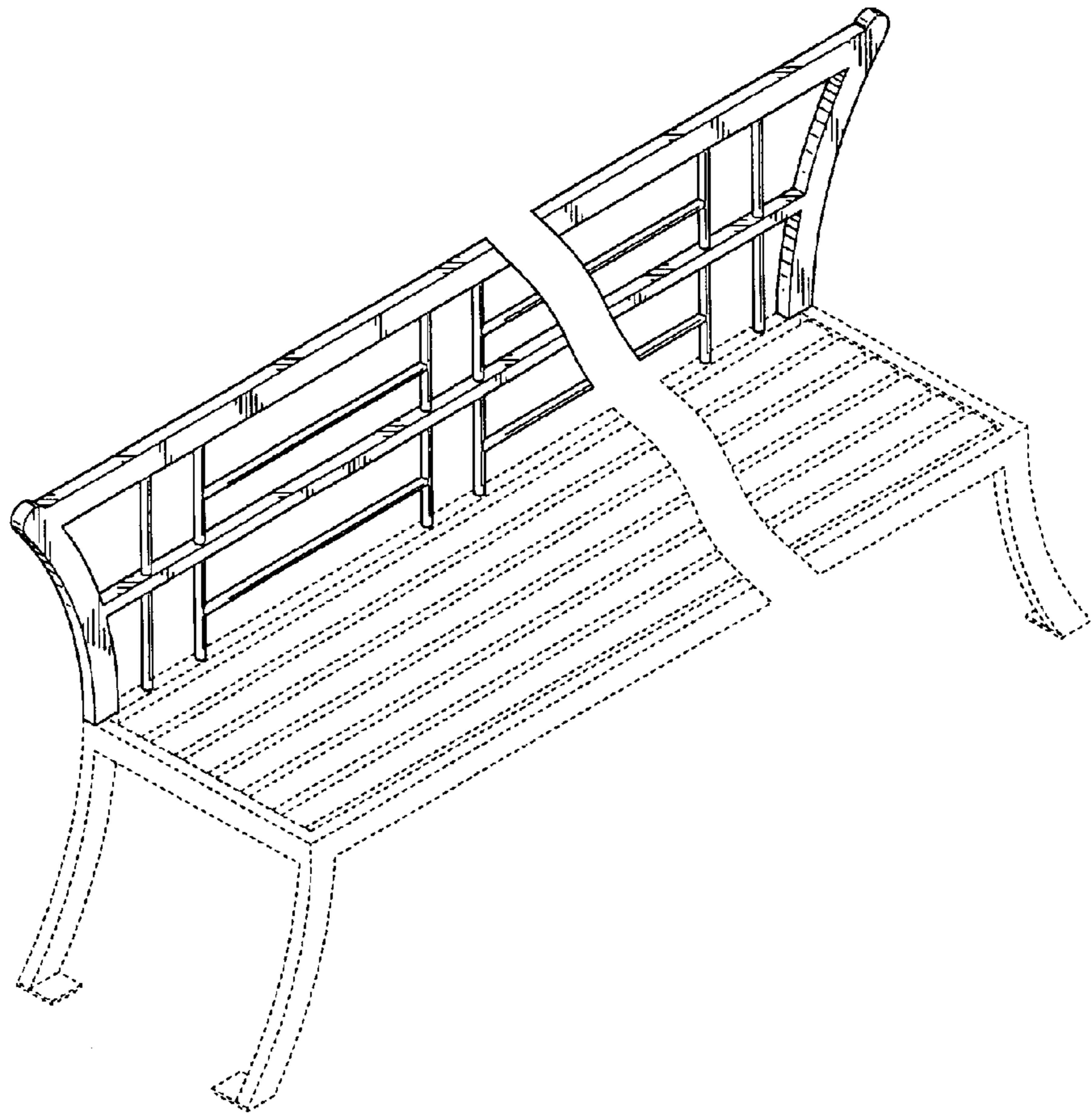
**FIG. 3**



**FIG. 4**



**FIG. 5**



**FIG. 6**