



US00D510209S

(12) **United States Design Patent**
Martinelli

(10) **Patent No.:** **US D510,209 S**
(45) **Date of Patent:** **** Oct. 4, 2005**

(54) **JEWELRY HOLDER**

(76) **Inventor:** **Bernadette Martinelli**, 1609 W.
Pheasant Way, Park City, UT (US)
84098

(**) **Term:** **14 Years**

(21) **Appl. No.:** **29/190,019**

(22) **Filed:** **Sep. 12, 2003**

(51) **LOC (8) Cl.** **06-04**

(52) **U.S. Cl.** **D6/468**

(58) **Field of Search** D6/408, 411, 459,
D6/450, 456, 462, 467, 468, 469, 466,
465, 479, 475, 476, 510, 511, 517, 627,
629, 630; D14/251, 253; 211/13.1, 85.1,
85.2, 85.6, 26.1, 39-36, 40, 41.1, 41.12,
51, 74, 59.3, 85, 85.18, 85.23, 87.01, 90.01,
164, 199, 119.003

(56) **References Cited**

U.S. PATENT DOCUMENTS

1,728,603 A * 9/1929 Gates 211/87.01
3,113,400 A * 12/1963 Emond 47/45
4,264,013 A 4/1981 Vollmer
4,322,007 A 3/1982 Feibelman
4,465,179 A 8/1984 Miller

D296,631 S 7/1988 Galairde
4,775,584 A 10/1988 LeBarge
D326,571 S 6/1992 Boden et al.
5,762,184 A 6/1998 Greiner

* cited by examiner

Primary Examiner—Janice E. Seeger
Assistant Examiner—Sydney R Buffalow
(74) *Attorney, Agent, or Firm*—Geoffrey E. Dobbin

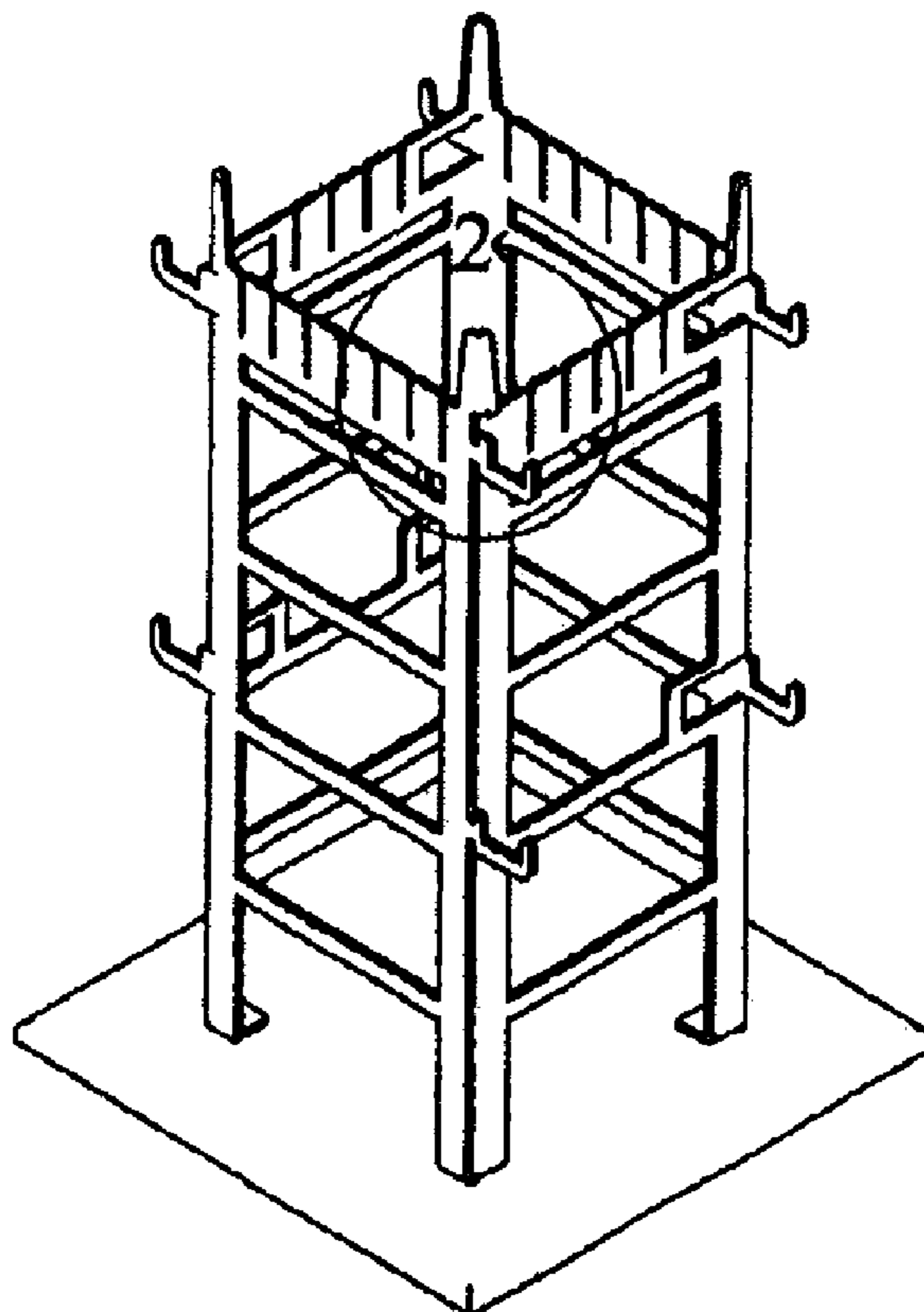
(57) **CLAIM**

The ornamental design for a jewelry holder, as shown and described.

DESCRIPTION

The jewelry holder is a rectangular rack with various projections and features for holding articles of jewelry. FIG. 1 is a perspective view of the jewelry holder. FIG. 2 is an enlarged view of the jewelry holder, taken from within circle 2 in FIG. 1, more clearly showing the detail of the holder's upper corners. FIG. 3 is a left plan view of the jewelry holder. FIG. 4 is a front plan view of the jewelry holder. FIG. 5 is a right plan view of the jewelry holder. FIG. 6 is a rear plan view of the jewelry holder; and, FIG. 7 is a top plan view of the jewelry holder.

1 Claim, 1 Drawing Sheet



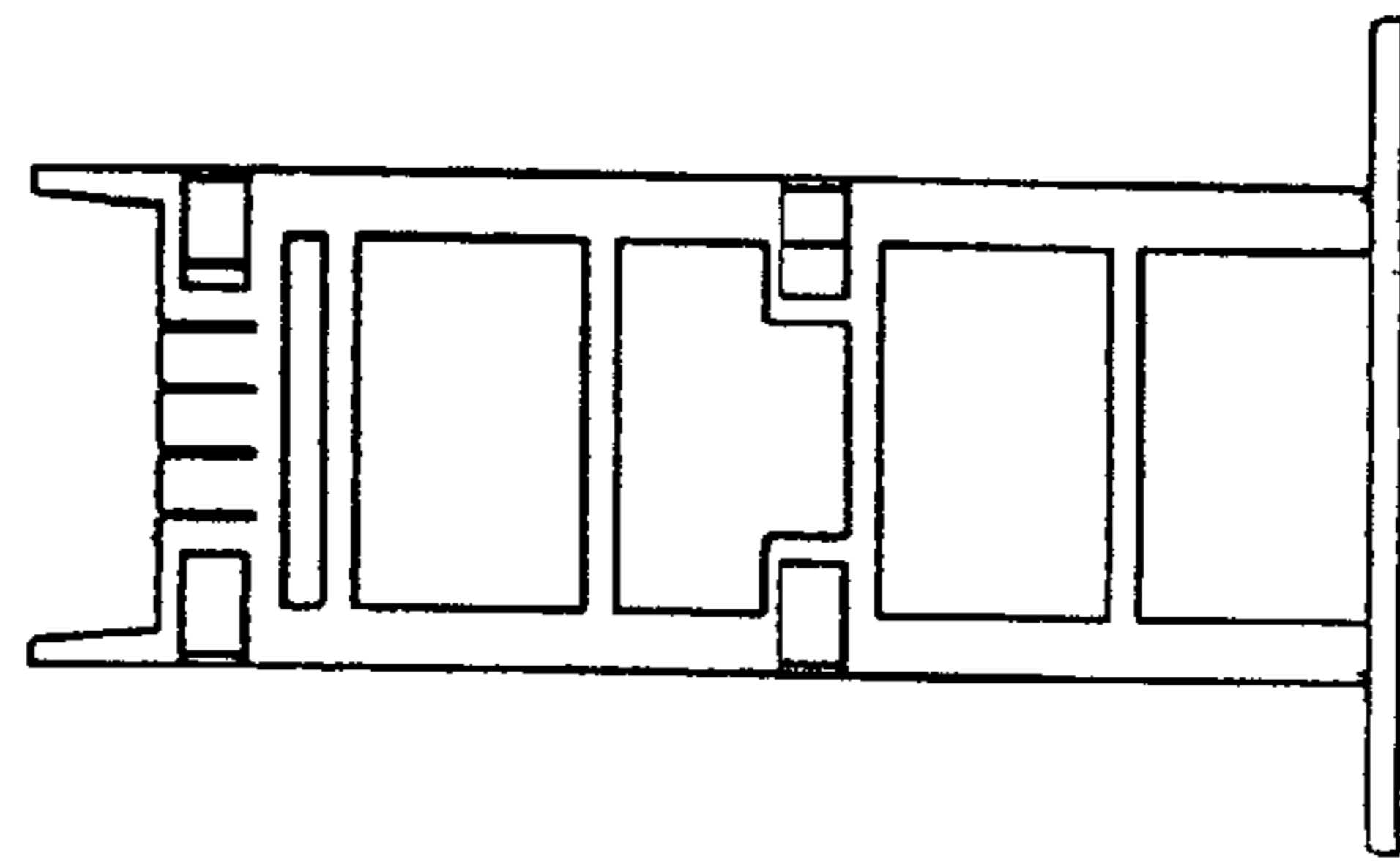
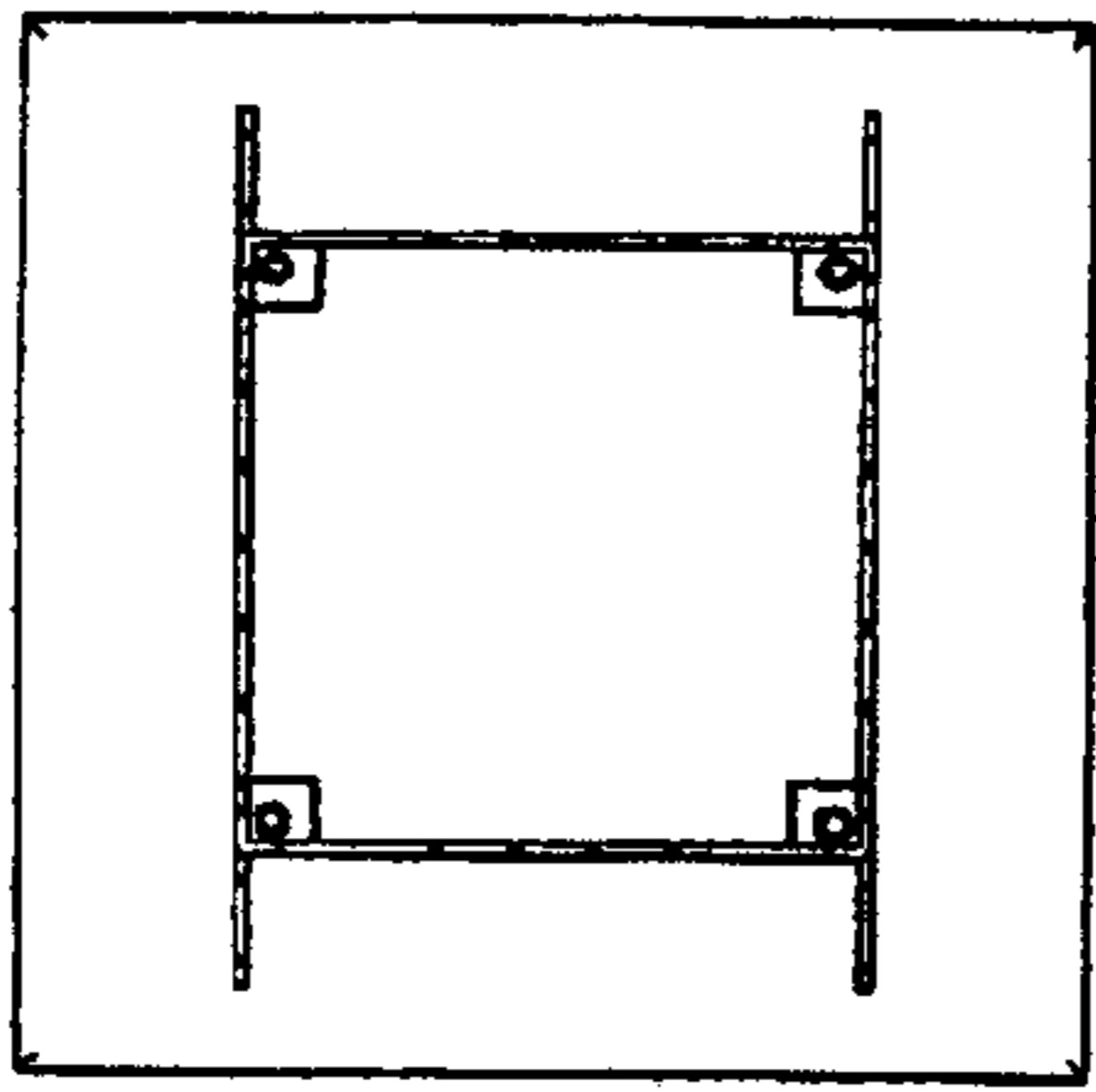
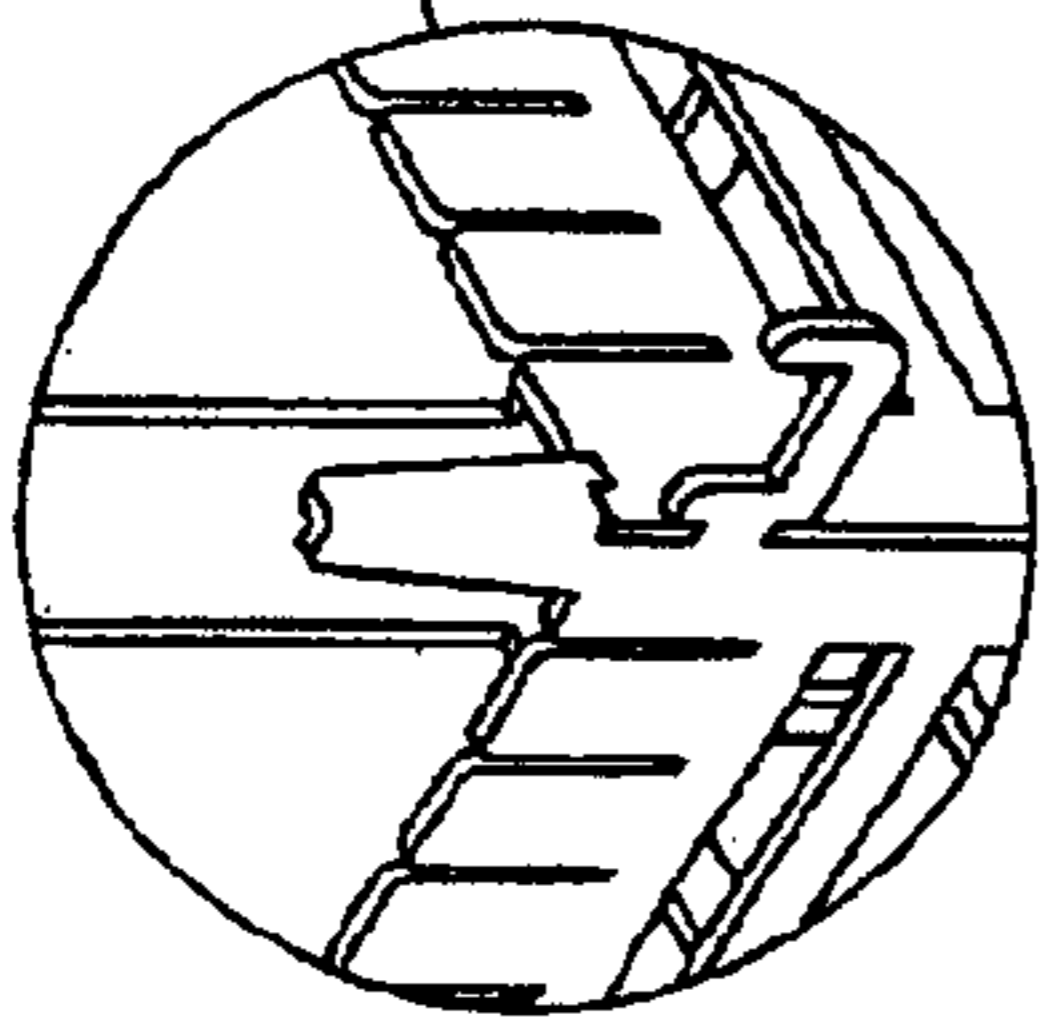
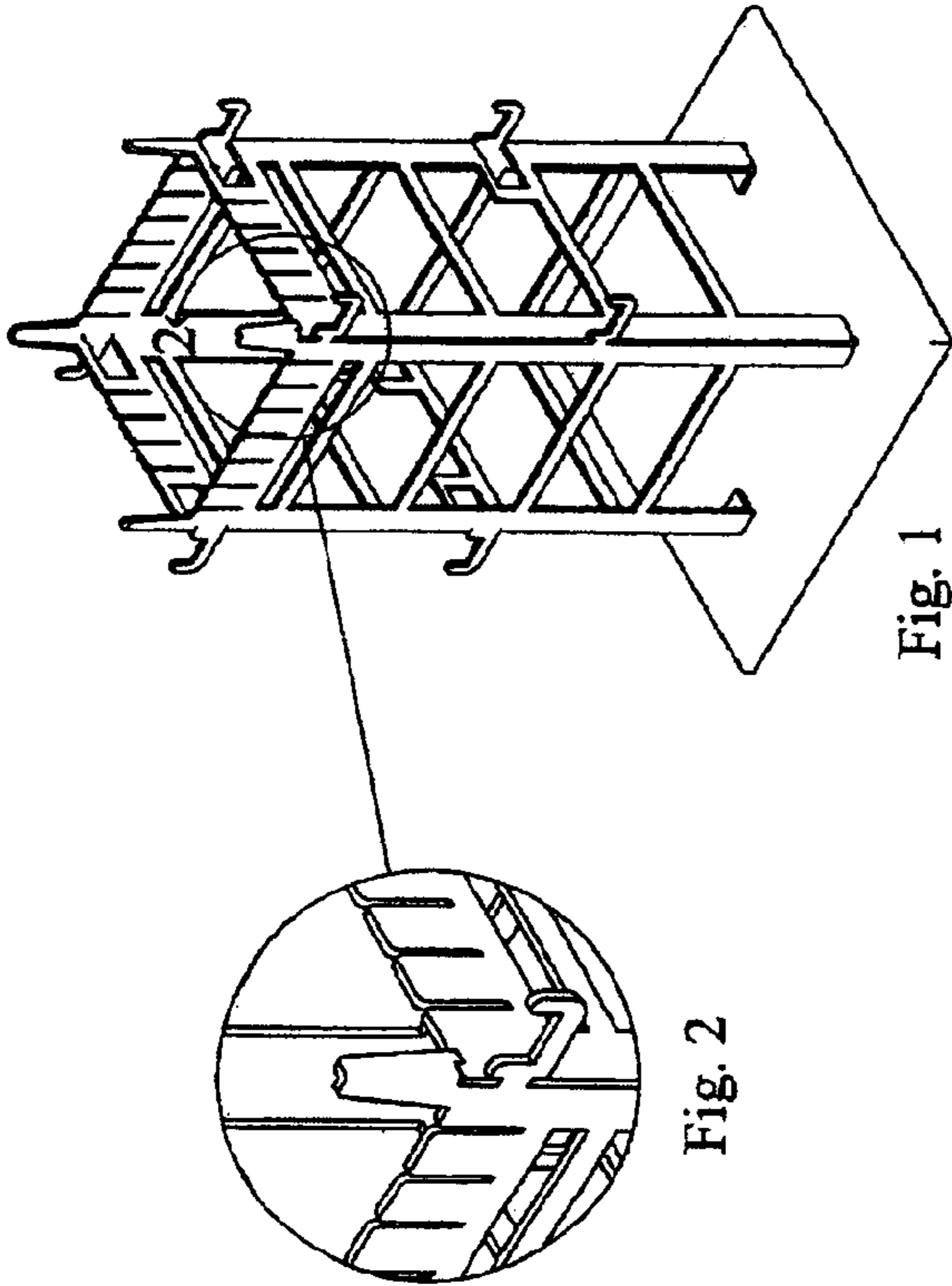


Fig. 3

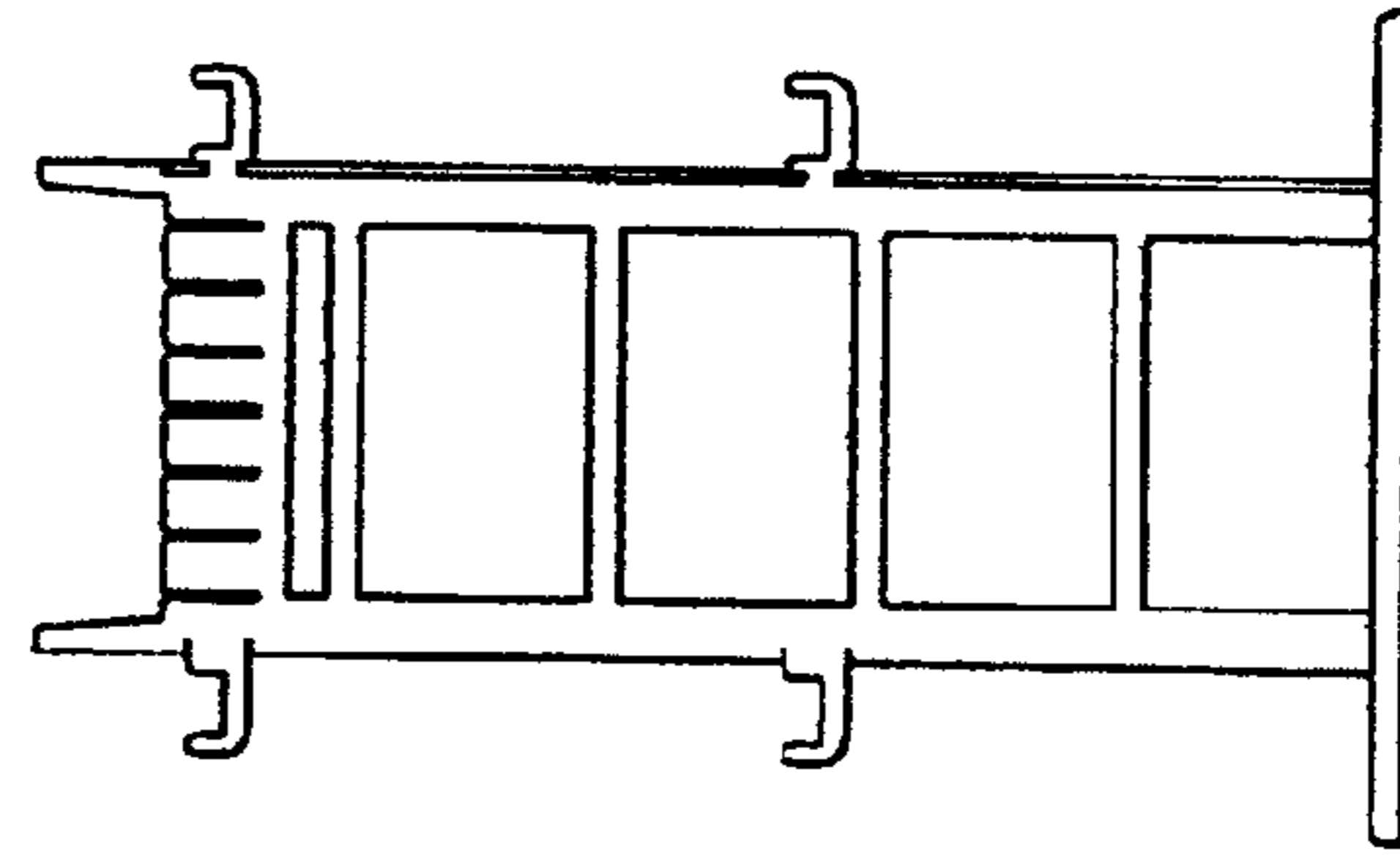


Fig. 4

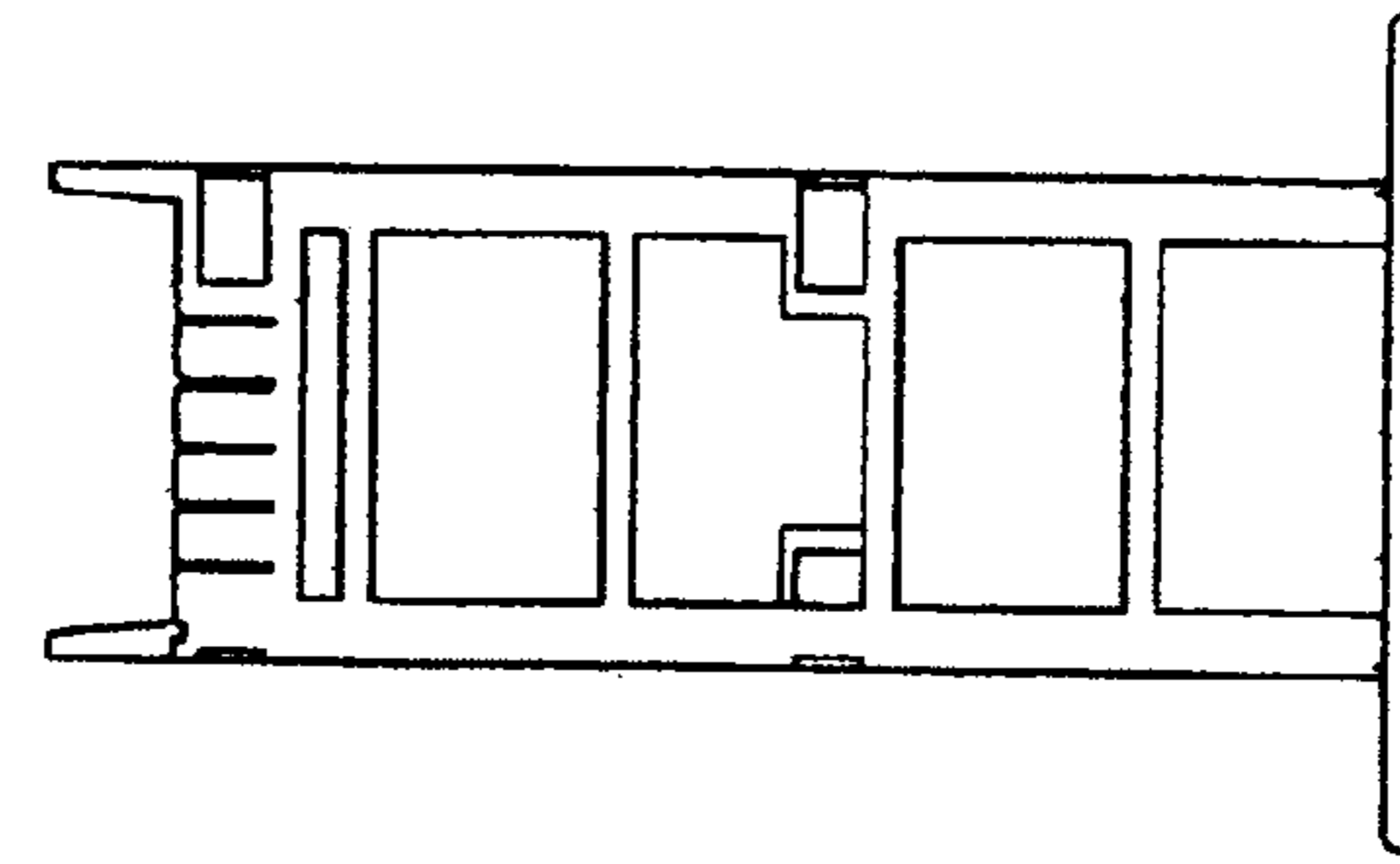


Fig. 5

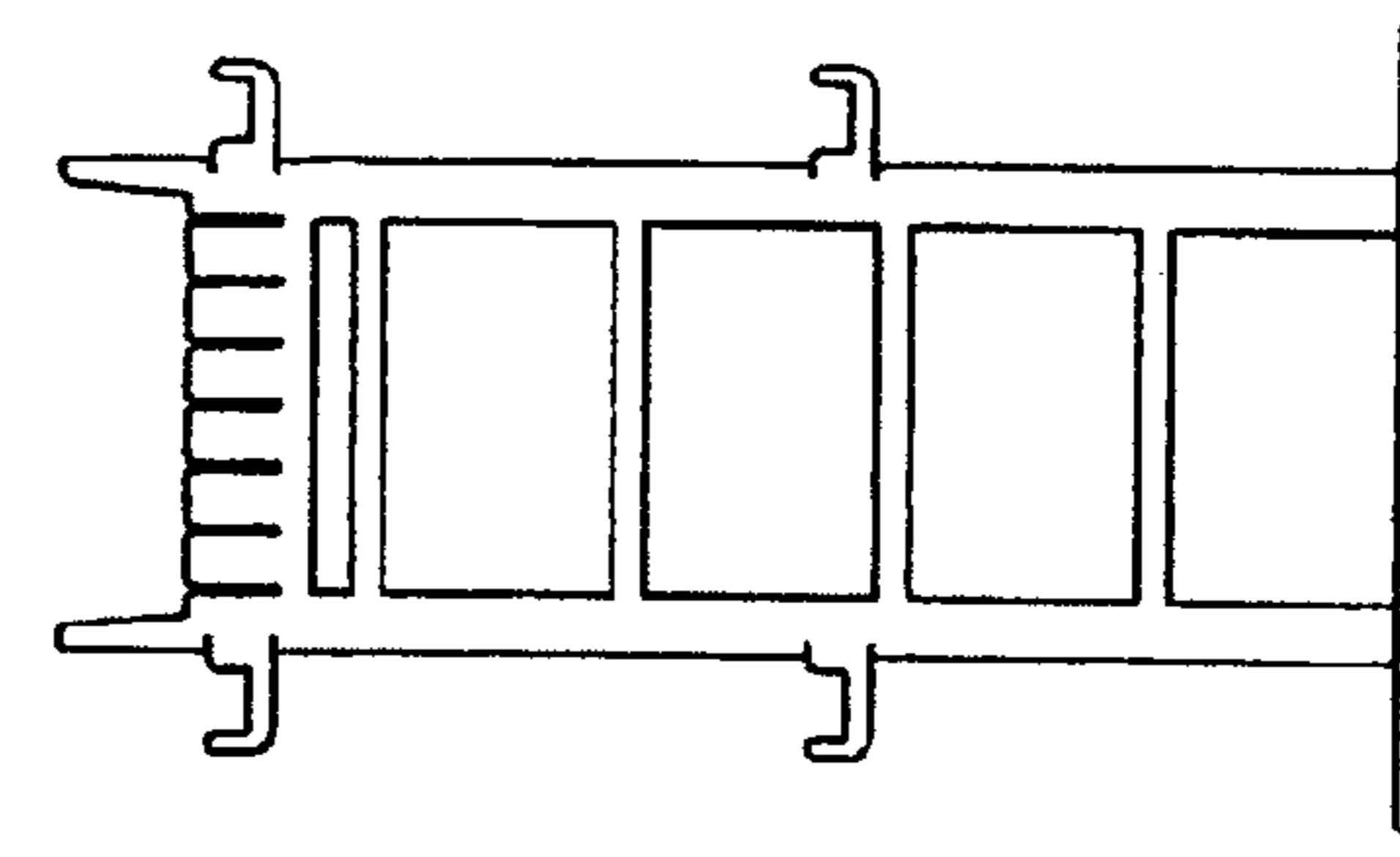


Fig. 6