



US00D510206S

(12) **United States Design Patent**
Jennings et al.

(10) **Patent No.: US D510,206 S**
(45) **Date of Patent: ** Oct. 4, 2005**

(54) **CABINET-TYPE ORGANIZER WITH
ADJUSTABLE SHELVES**

(75) Inventors: **Bonnie B. Jennings**, Columbia, SC
(US); **Larry D. Jennings**, Columbia,
SC (US)

(73) Assignee: **Labon, LLC**, Columbia, SC (US)

(**) Term: **14 Years**

(21) Appl. No.: **29/205,159**

(22) Filed: **May 10, 2004**

(51) **LOC (8) Cl.** **06-04**

(52) **U.S. Cl.** **D6/441; D6/446**

(58) **Field of Search** D6/432, 440, 441,
D6/445-446, 448; 312/108, 257.1, 297,
330.1

(56) **References Cited**

U.S. PATENT DOCUMENTS

D331,847 S	*	12/1992	Allen	D6/470
D446,406 S	*	8/2001	Aeberhard	D6/441
D457,350 S	*	5/2002	Jeup	D6/441
D472,070 S	*	3/2003	de Carolis	D6/441
D488,327 S		4/2004	Braverman		

* cited by examiner

Primary Examiner—Cathron C. Brooks

(74) *Attorney, Agent, or Firm*—F. Rhett Brockington

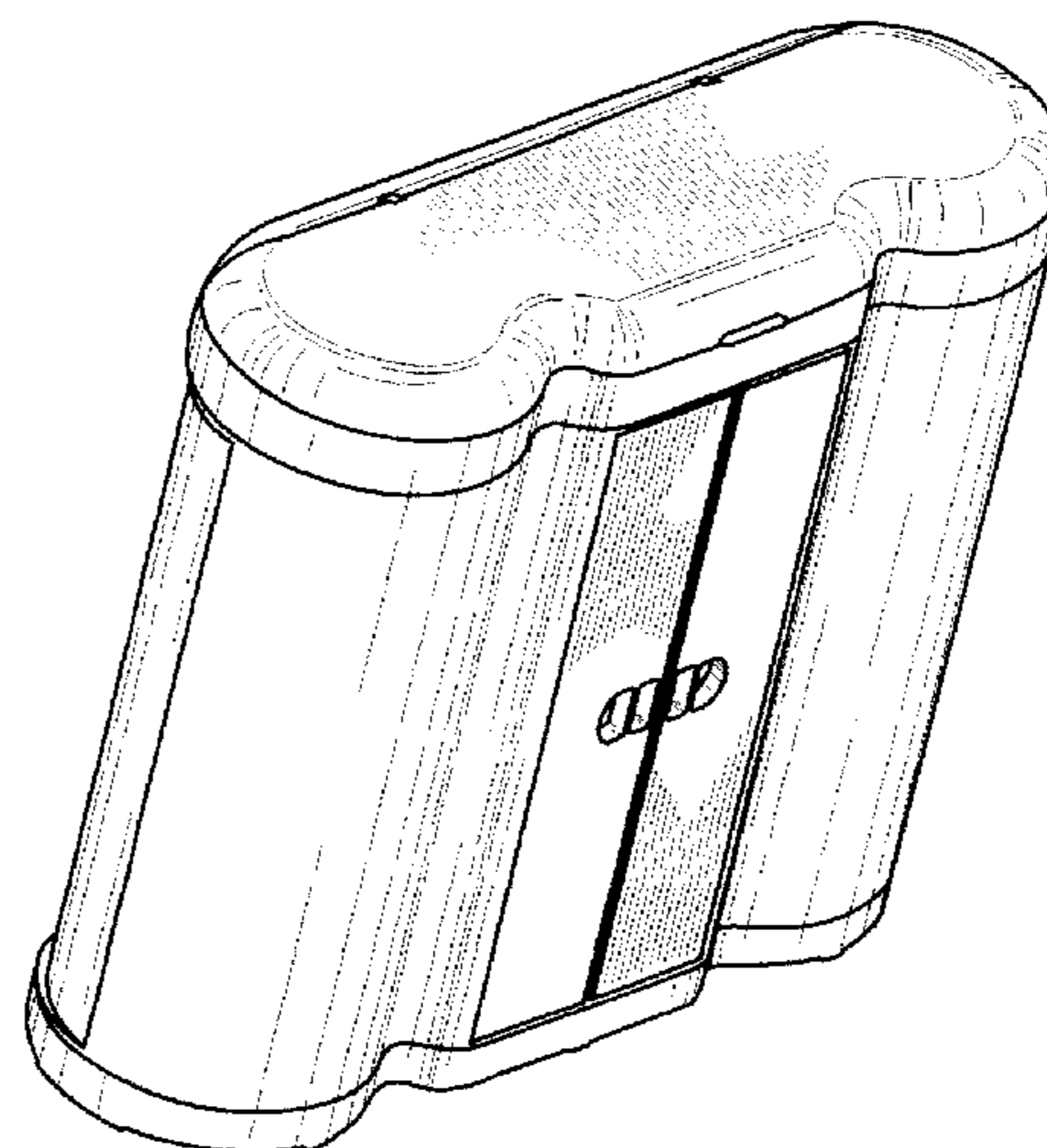
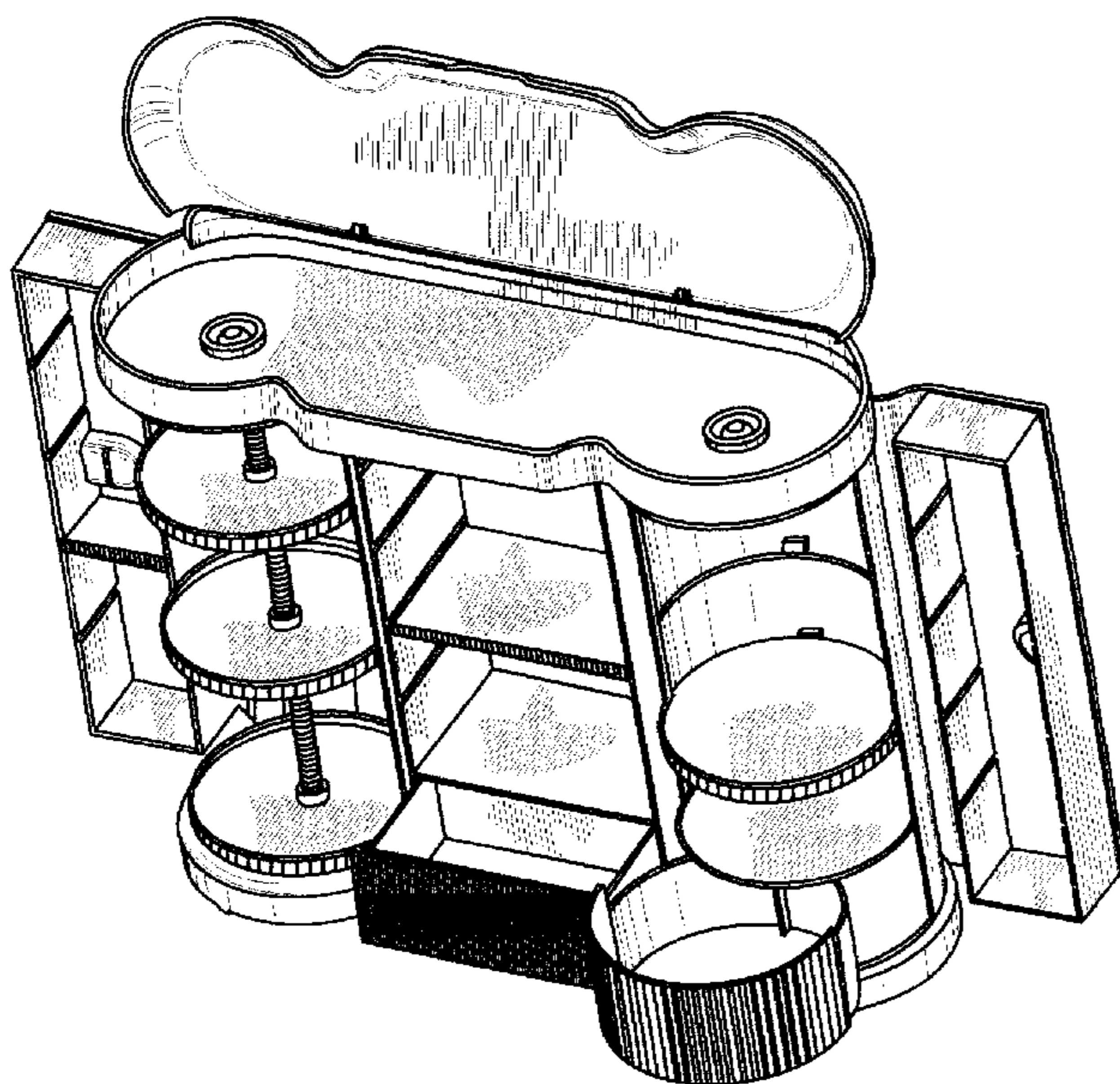
(57) **CLAIM**

The ornamental design for a cabinet-type organizer with adjustable shelves, as shown and described.

DESCRIPTION

FIG. 1 is a front perspective view of the present invention. FIG. 2 is a right side view of the present invention. FIG. 3 is a left side view of the present invention. FIG. 4 is a frontal view of the present invention. FIG. 5 is a bottom plan view of the present invention. FIG. 6 is a top plan of the present invention. FIG. 7 is a rear plan view of the present invention. FIG. 8 is a front perspective view of the present invention with the cabinet doors closed. FIG. 9 is a front plan view of the present invention with the cabinet doors closed. FIG. 10 is a left plan view of the present invention with the cabinet doors closed. FIG. 11 is a right plan view of the present invention with the cabinet doors closed. FIG. 12 is a front perspective view of the present invention with the left cabinet door closed. FIG. 13 is a front plan view of the present invention with the left cabinet door closed. FIG. 14 is a front perspective view of the present invention with the right cabinet door closed; and, FIG. 15 is a front plan view of the present invention with the right cabinet door closed.

1 Claim, 12 Drawing Sheets



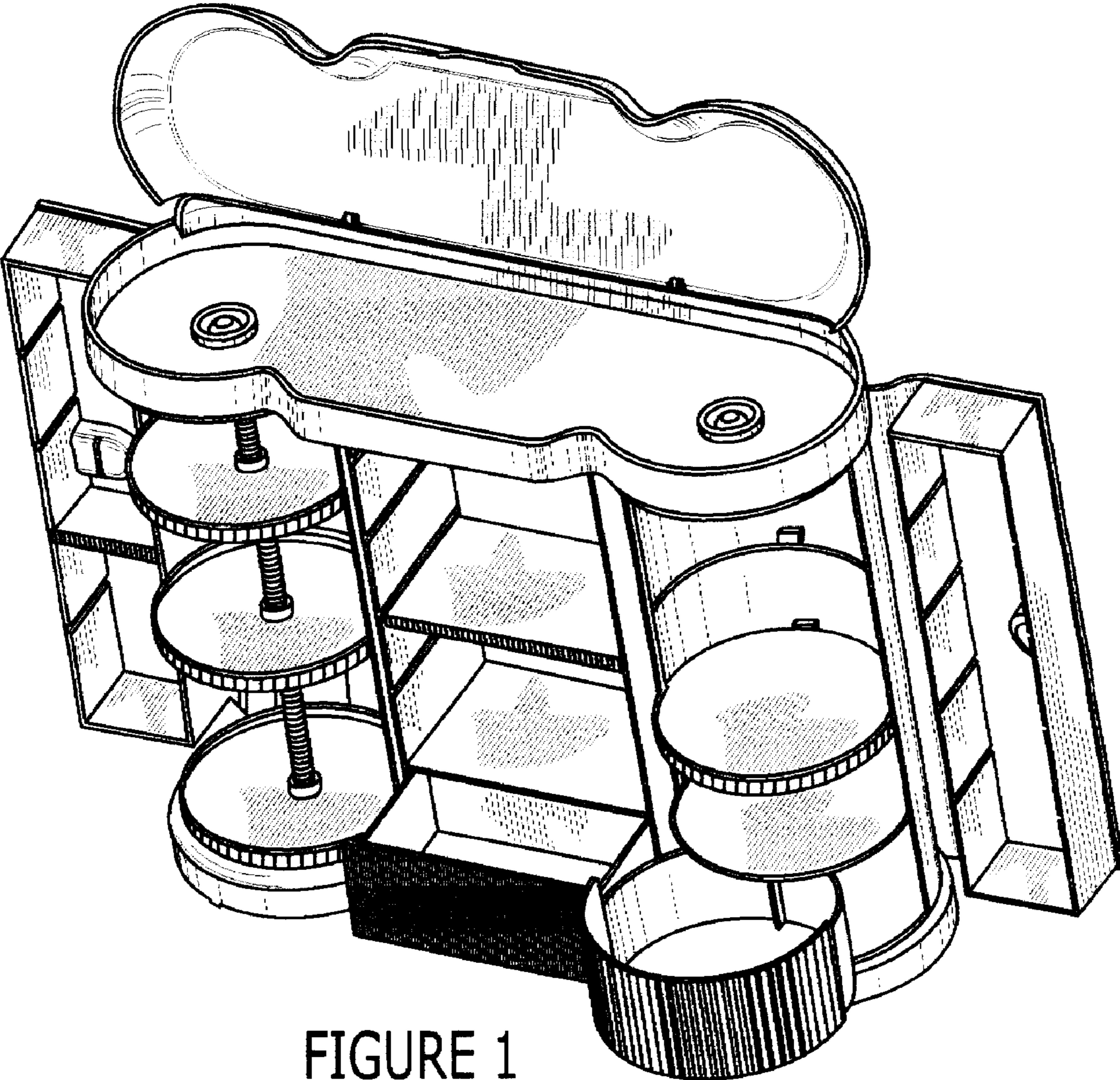


FIGURE 1

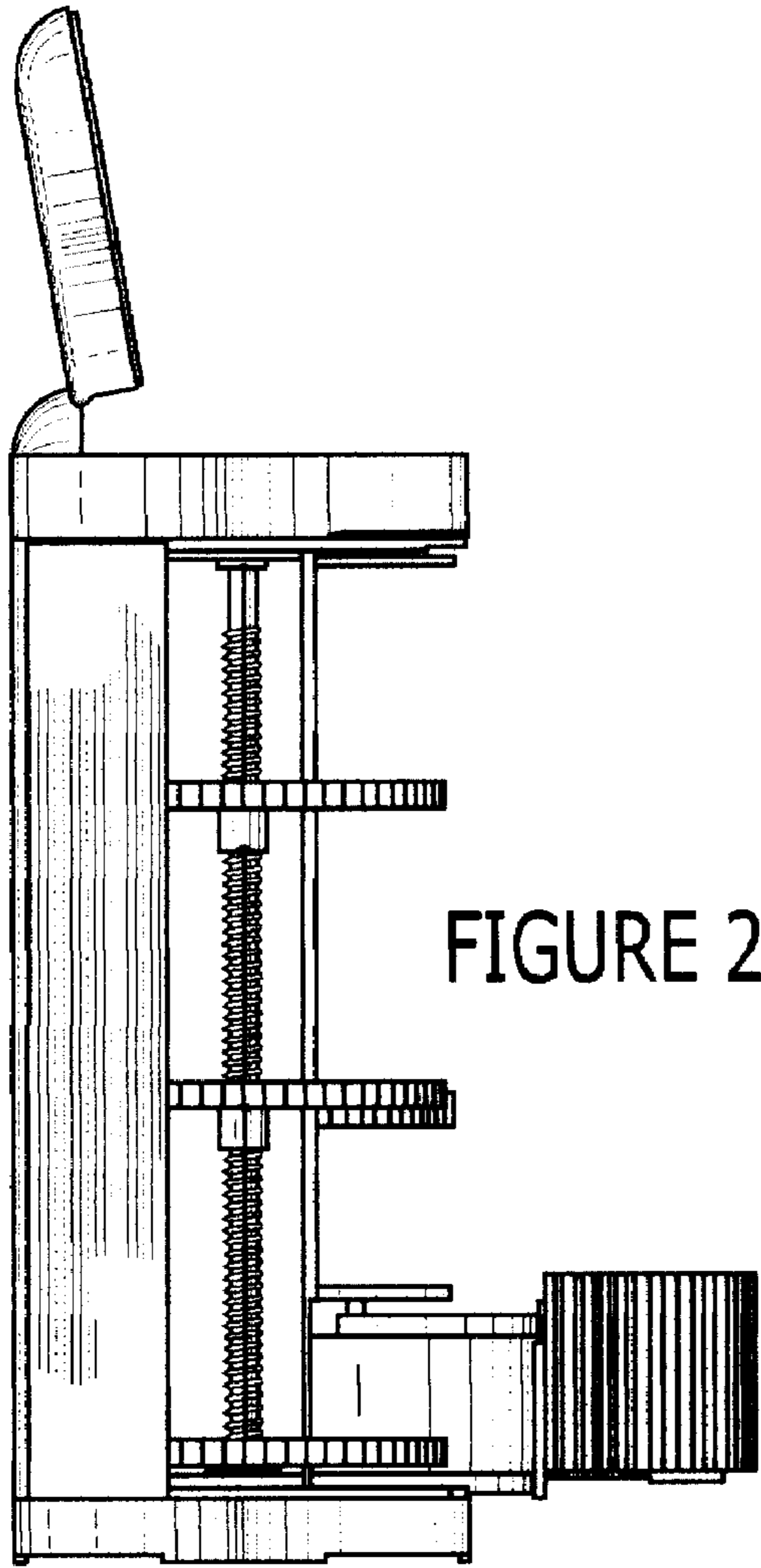


FIGURE 2

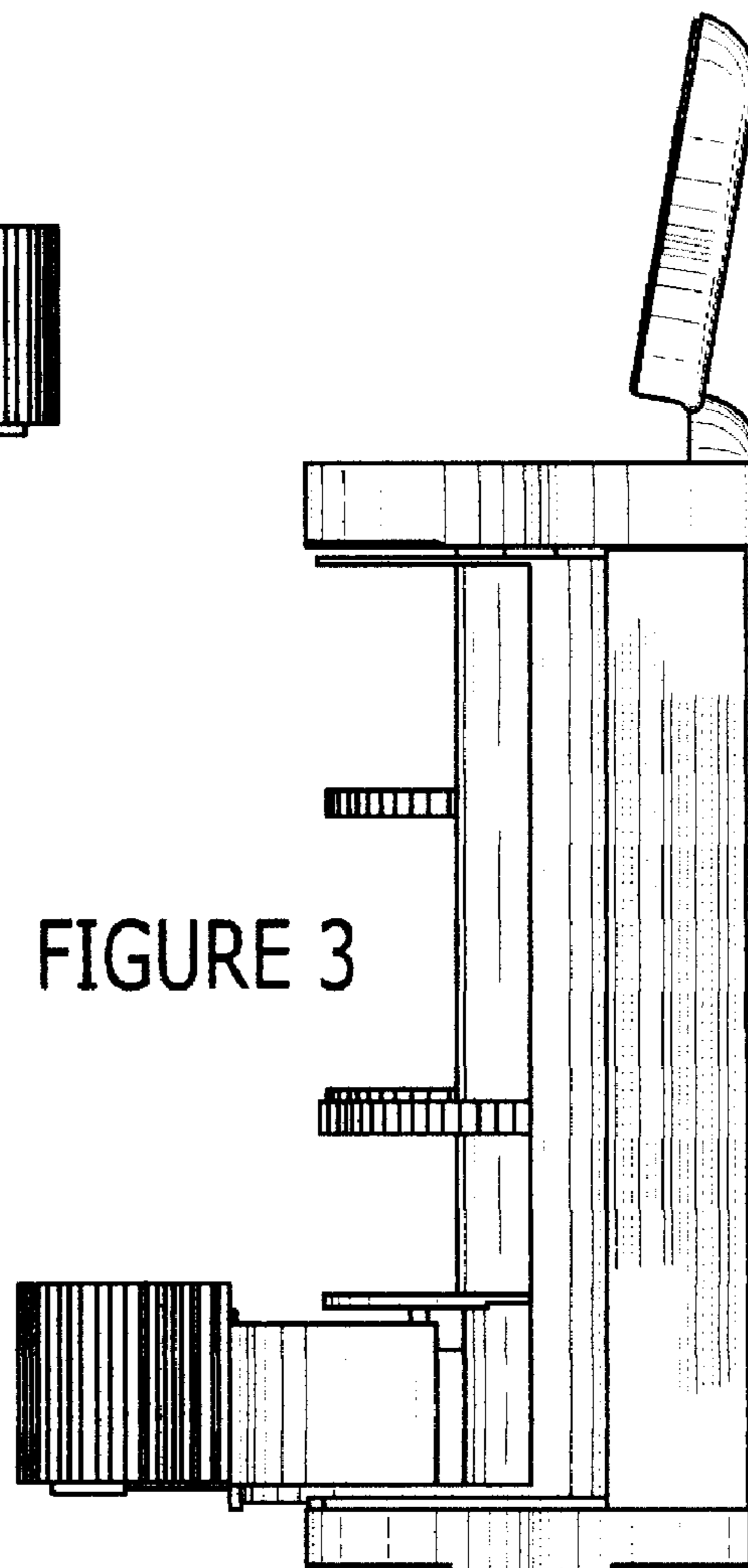


FIGURE 3

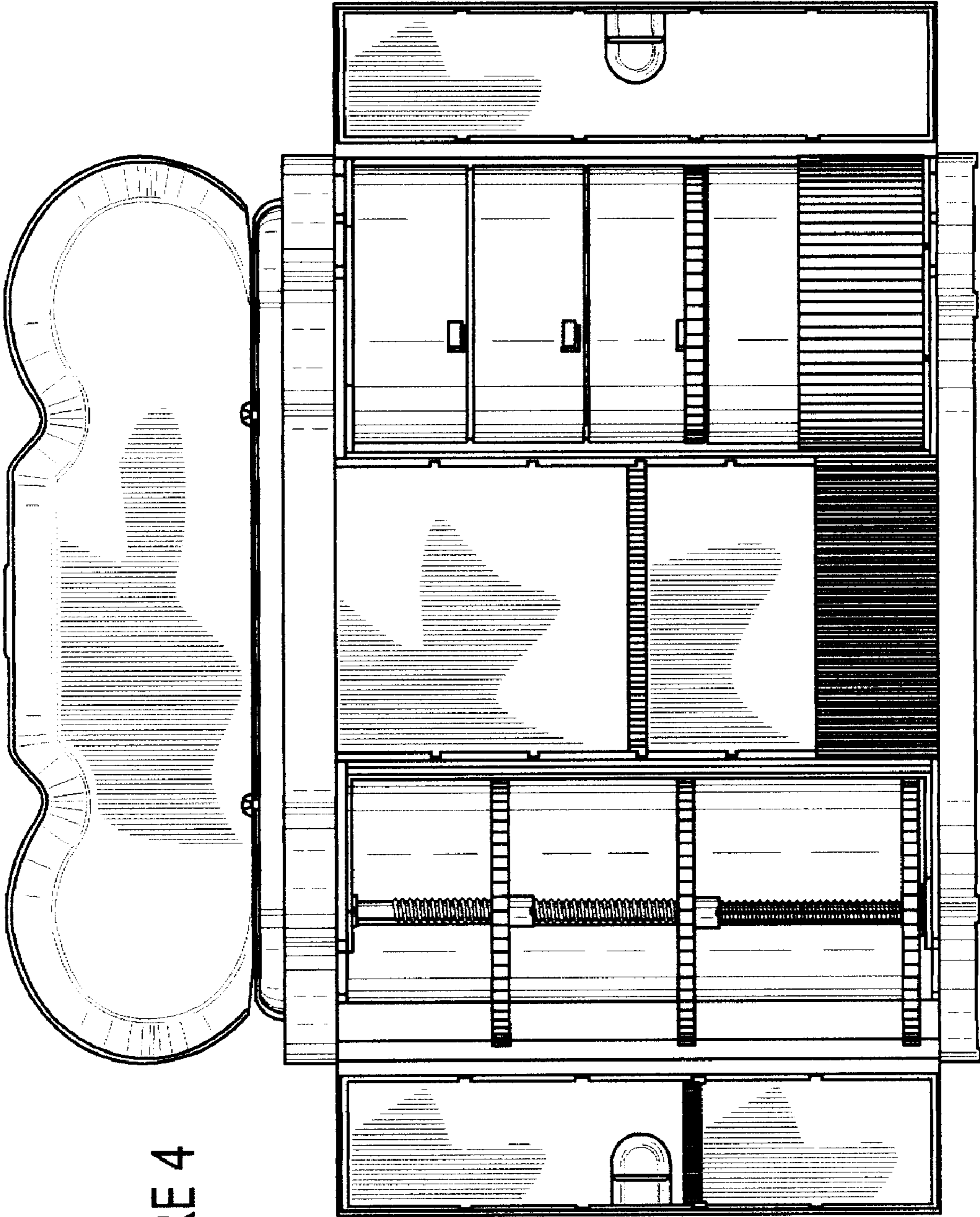


FIGURE 4

FIGURE 5

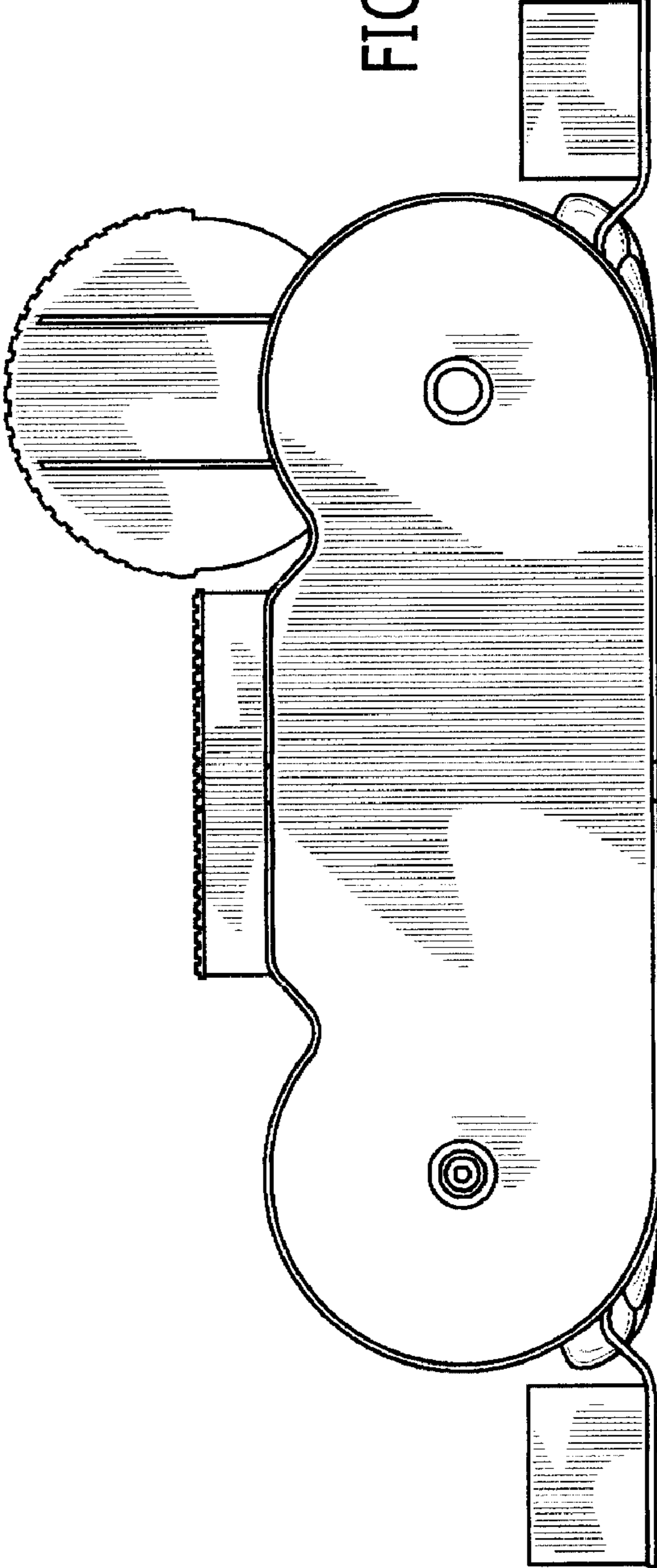
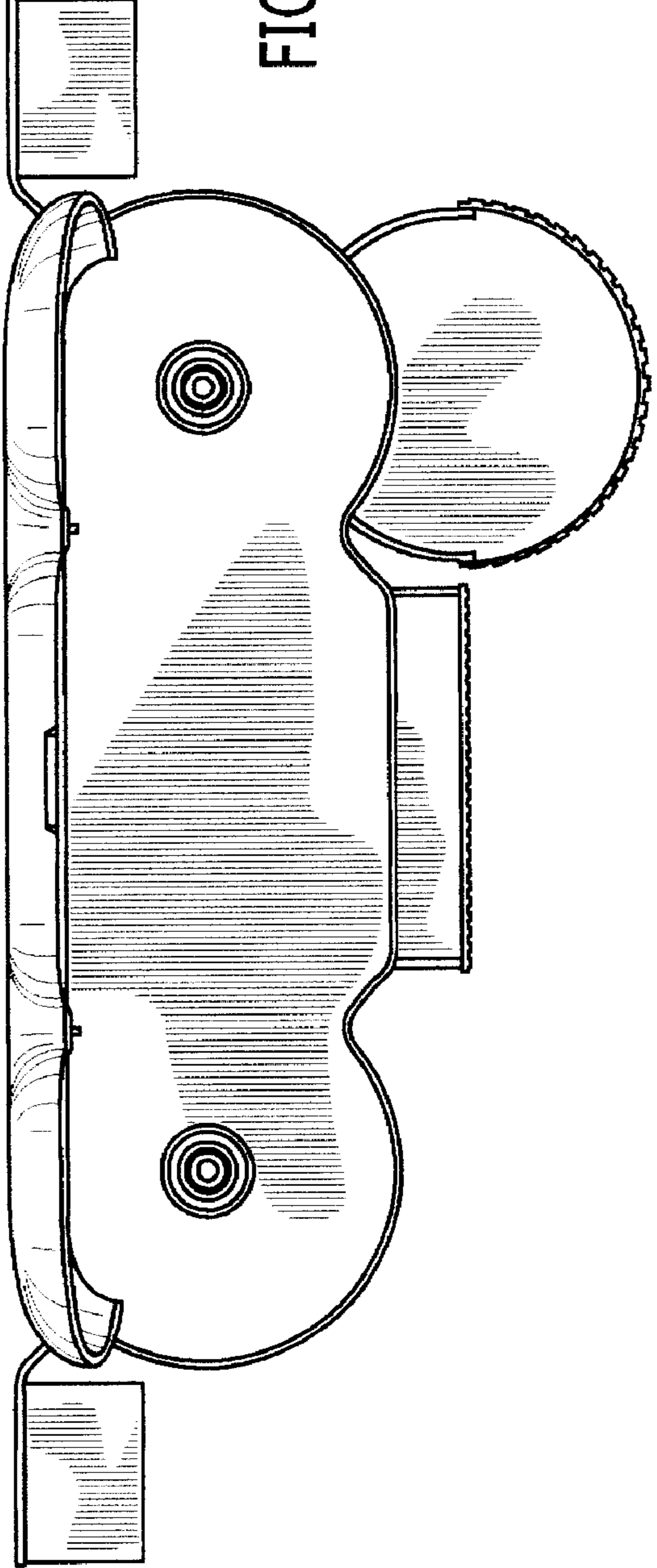


FIGURE 6



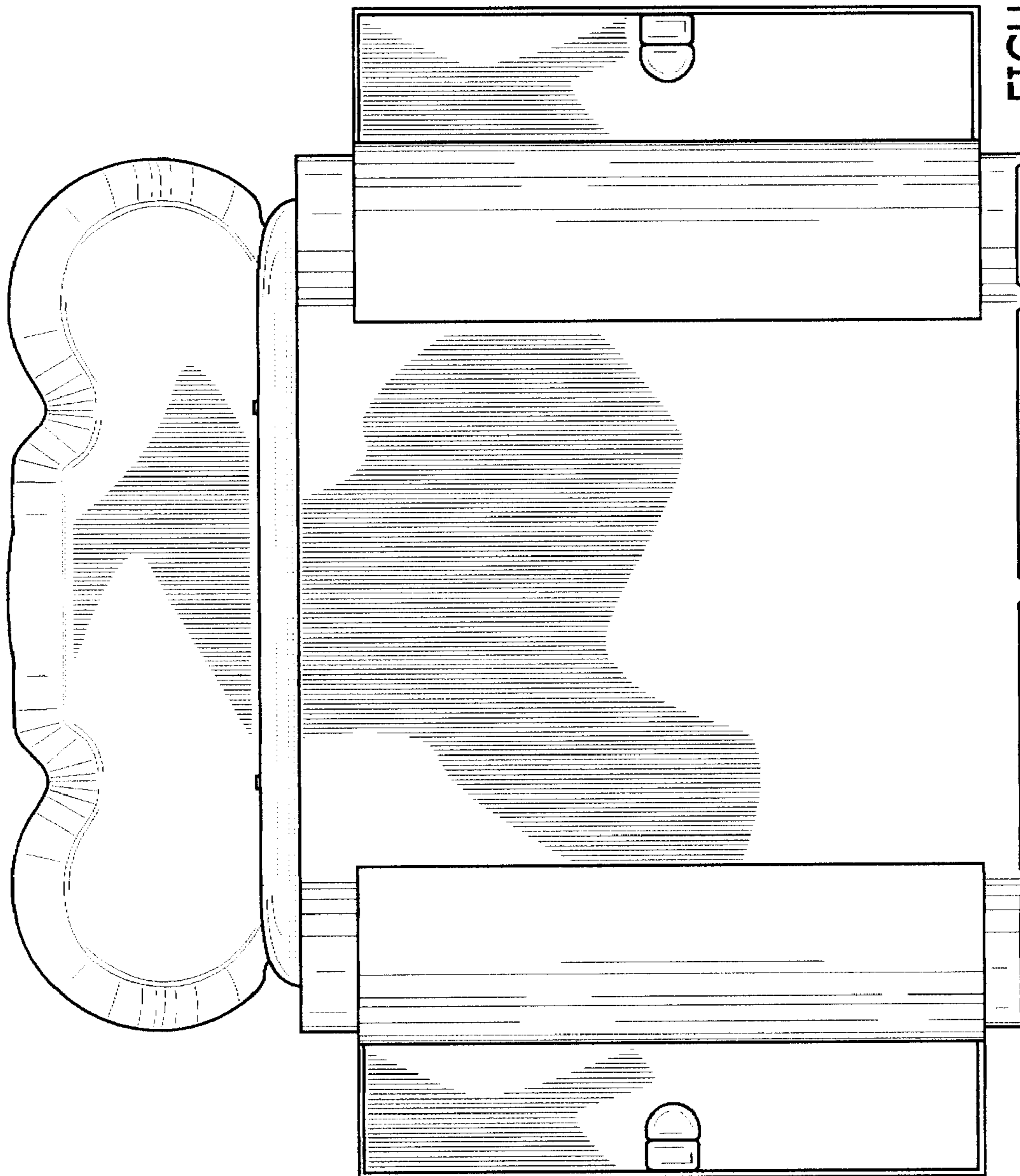


FIGURE 7

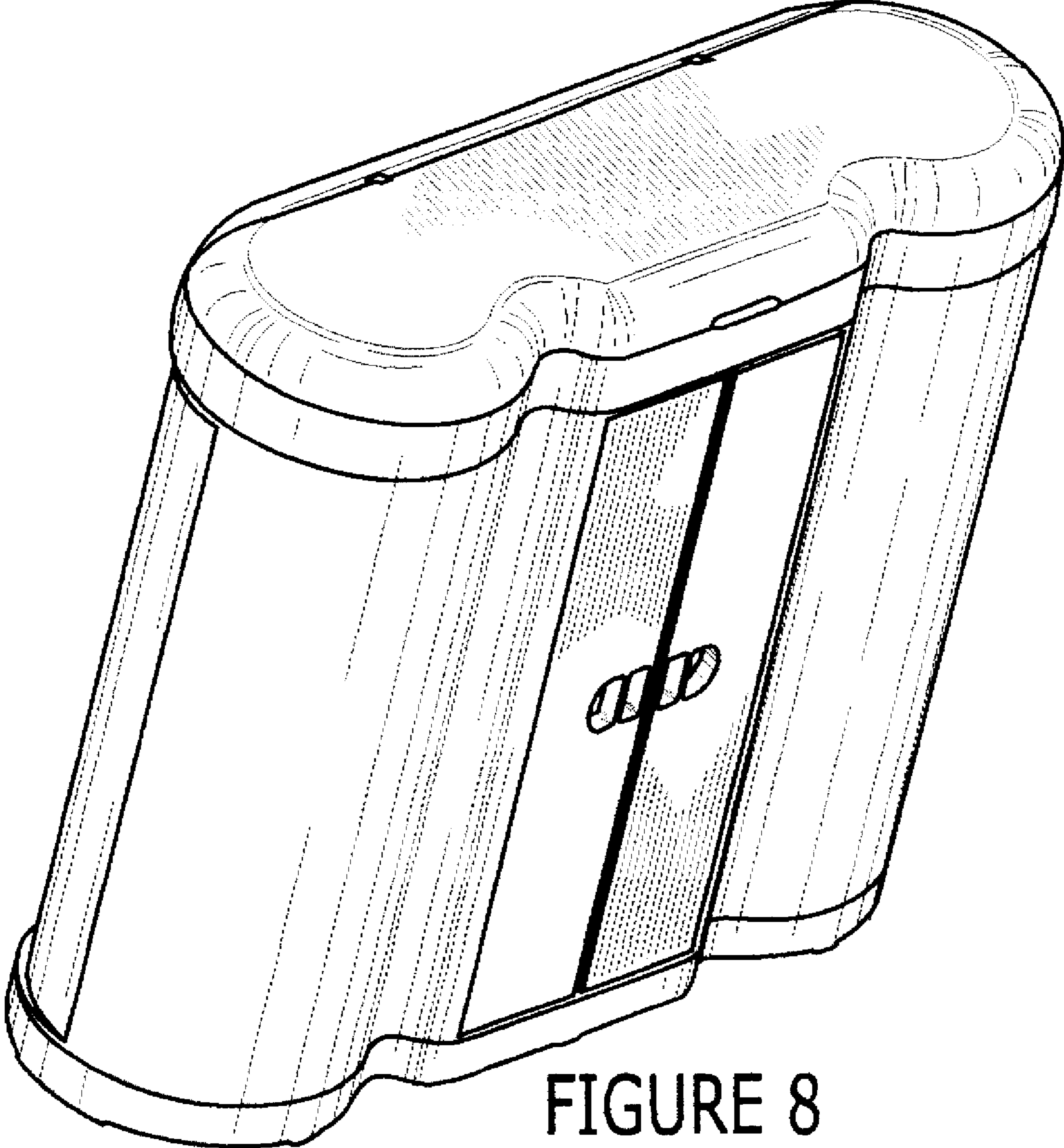


FIGURE 8

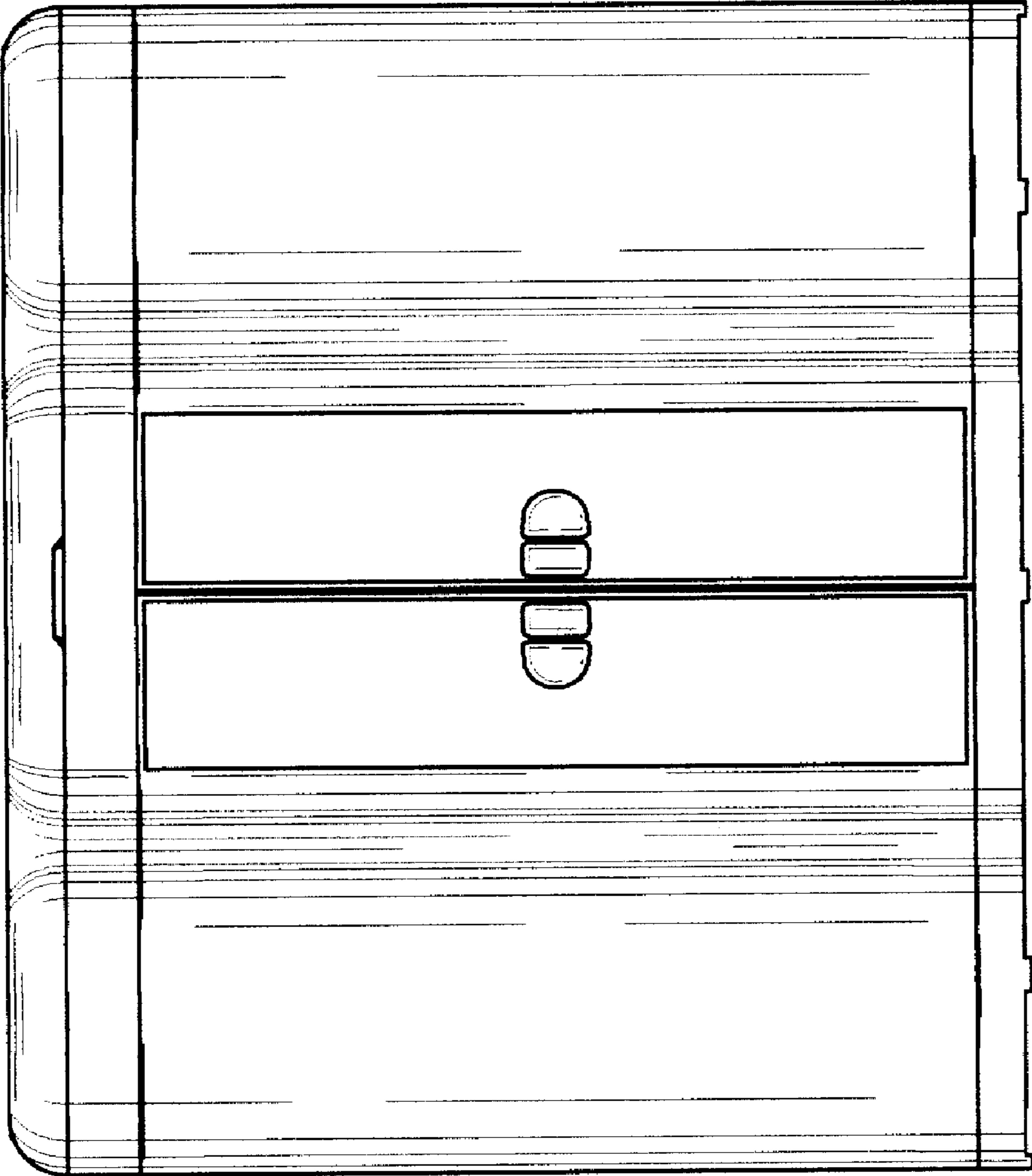


FIGURE 9

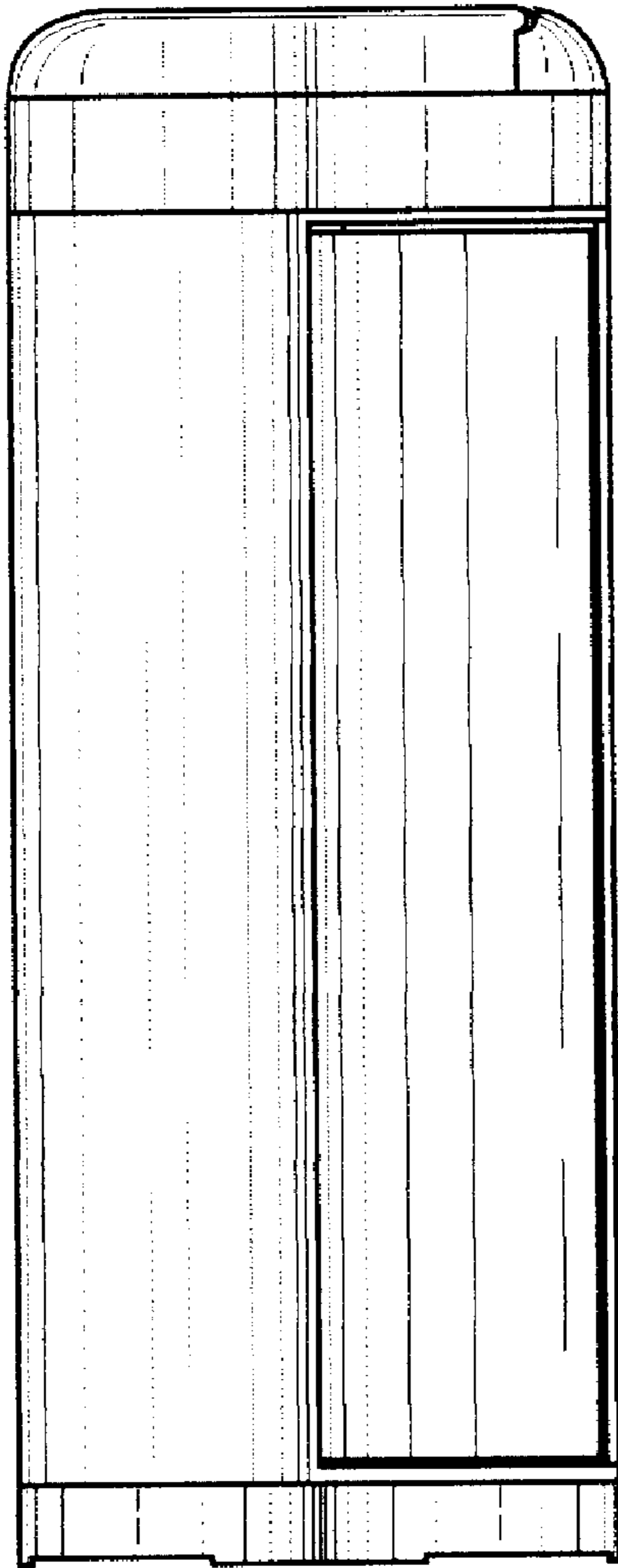


FIGURE 10

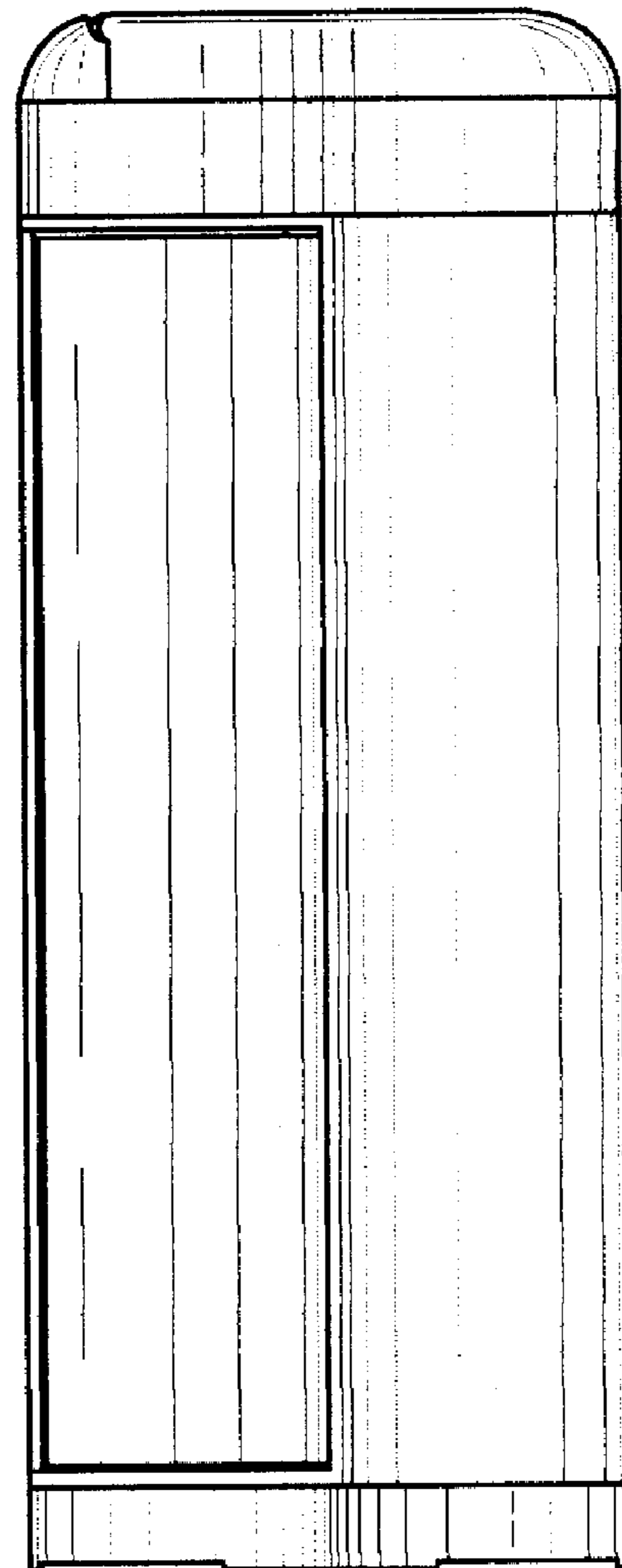


FIGURE 11

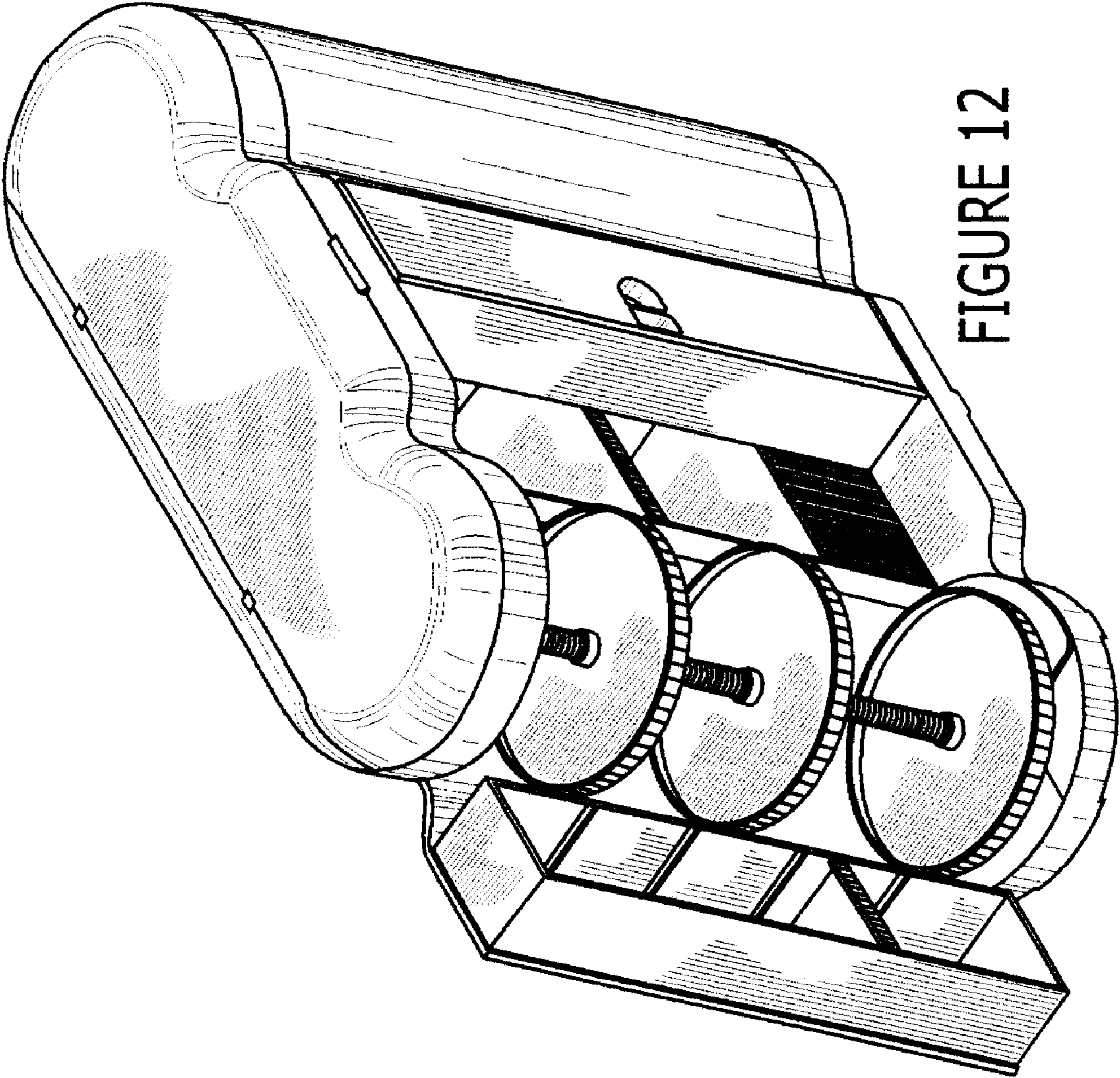


FIGURE 12

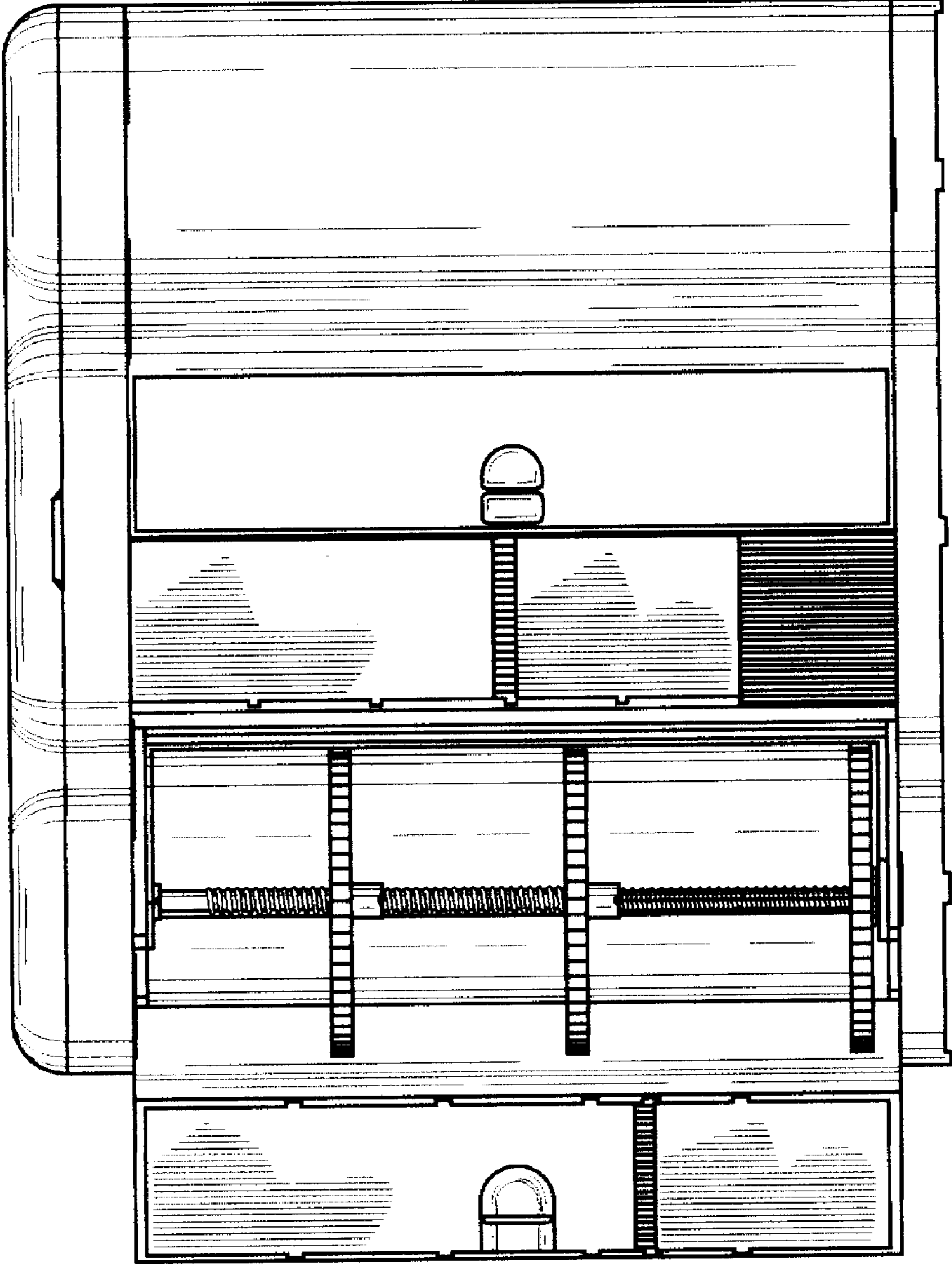


FIGURE 13

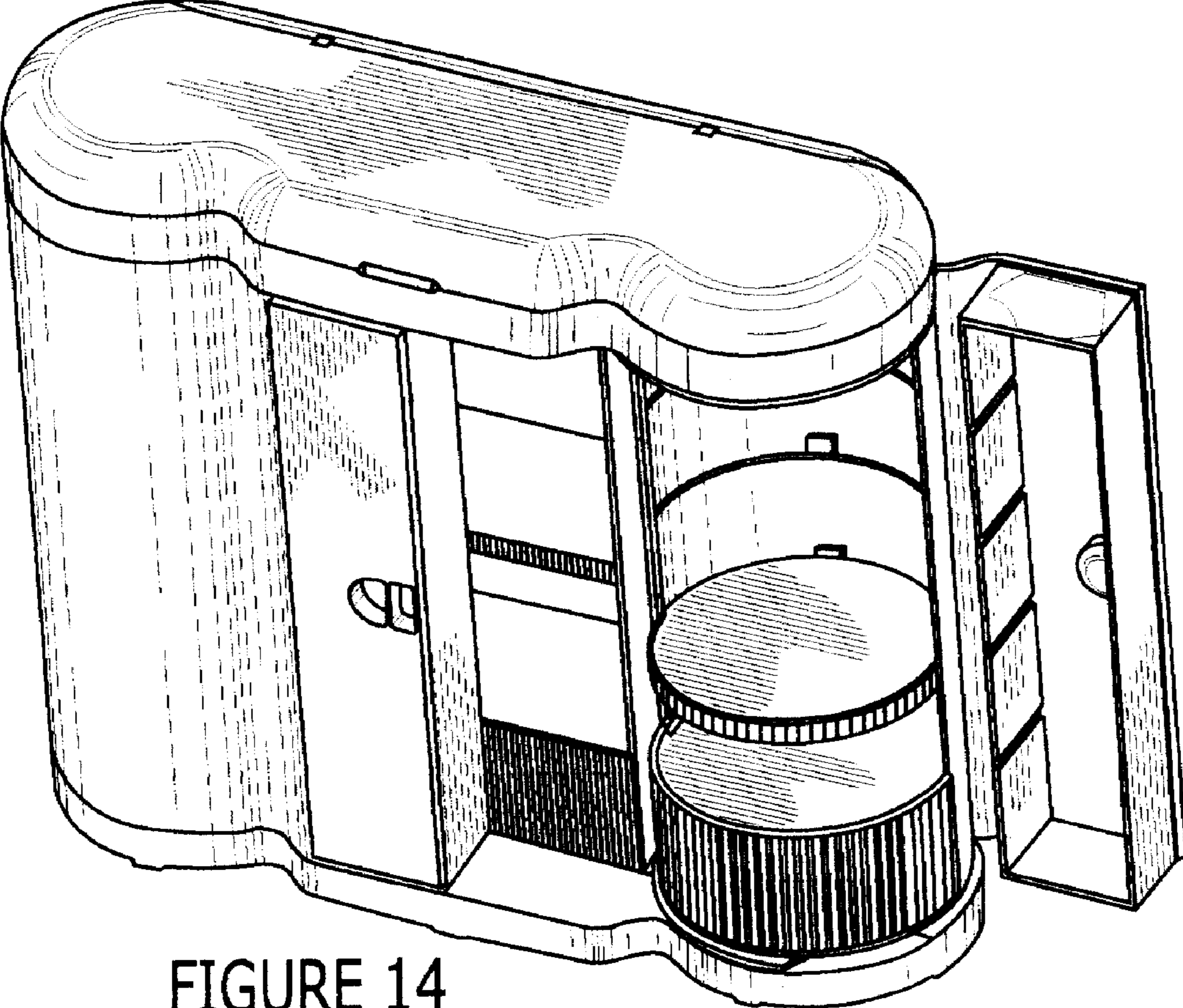


FIGURE 14

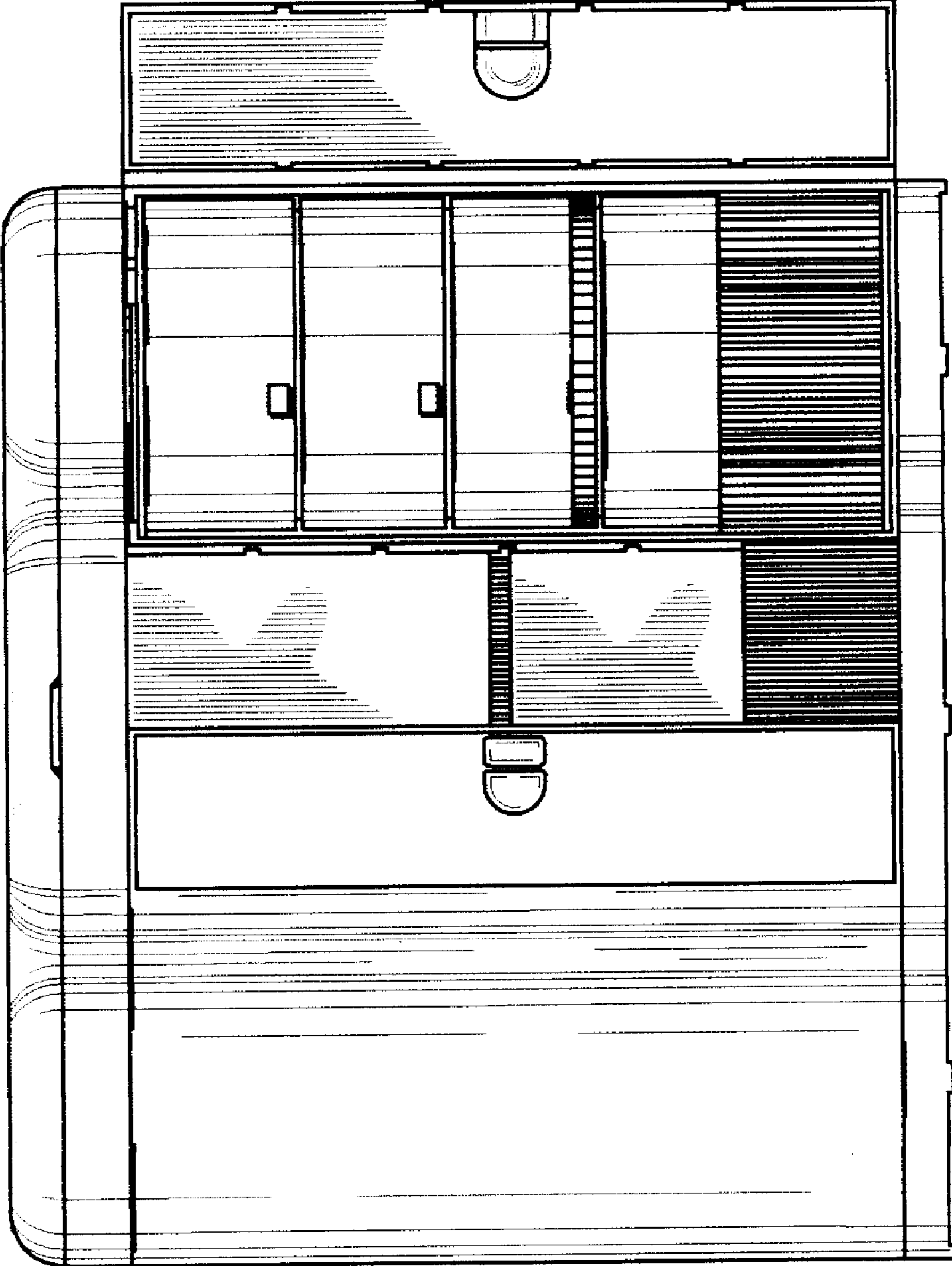


FIGURE 15