



US00D510205S

(12) **United States Design Patent** (10) **Patent No.:** **US D510,205 S**
Nickel (45) **Date of Patent:** **** Oct. 4, 2005**

(54) **MUSIC STAND ACCESSORY TRAY**

(76) Inventor: **Willy Reinhard Nickel**, 1712-17 Avenue S.E., Medicine Hat, Alberta (CA), T1A 3V1

(**) Term: **14 Years**

(21) Appl. No.: **29/206,139**

(22) Filed: **May 27, 2004**

(51) **LOC (8) Cl.** **06-04**

(52) **U.S. Cl.** **D6/418**

(58) **Field of Search** D6/511, 419, 574, D6/418; D14/299; 248/441.1, 125.7, 460, 411, 443; 84/453, 385 A; D3/204; 108/25

(56) **References Cited**

U.S. PATENT DOCUMENTS

3,934,806	A	*	1/1976	Rady	248/441.1
4,094,255	A	*	6/1978	Zaccaria	108/25
4,300,743	A	*	11/1981	Morris	248/441.1
D276,779	S		12/1984	Gomez		
4,488,469	A	*	12/1984	Demello et al.	84/385 A
4,501,403	A	*	2/1985	Goodrich	248/443
D283,657	S	*	5/1986	Chaplin et al.	D6/511
4,790,506	A	*	12/1988	Malinowski et al.	248/441.1
D331,332	S	*	12/1992	Farmer	D6/418
5,207,405	A	*	5/1993	Cobb	248/411
D343,517	S	*	1/1994	Marchetti	D3/204
D365,825	S	*	1/1996	Abraham	D14/299
6,017,011	A	*	1/2000	Lee	248/441.1
D432,812	S	*	10/2000	Rivera	D6/419
6,143,970	A	*	11/2000	Kowzan	84/453
6,264,161	B1	*	7/2001	Waggoner	248/460
6,598,839	B2	*	7/2003	Loughman	248/125.7
6,802,485	B1	*	10/2004	Cassidy	248/441.1

OTHER PUBLICATIONS

Themusichouse.com, Inc., www.musichouseshop.com, "Stand Accessory—Tray" (no date).

Quik Lok Performance Structures, www.quikloc.com, MS-328 Small Clamp-on Utility Tray and MS-329 "Large Clamp-on Utility Tray" (no date).

* cited by examiner

Primary Examiner—Stacia Cadmus

Assistant Examiner—Terrence Huang

(74) *Attorney, Agent, or Firm*—Gowling Lafleur Henderson LLP; Robert M. Hendry

(57) **CLAIM**

The ornamental design for a music stand accessory tray, as shown and described.

DESCRIPTION

FIG. 1 is a front perspective view of the music stand accessory tray of our new design (the music stand is shown in dashed lines for illustrative purposes only and does not form part of the design);

FIG. 2 is a rear perspective view thereof;

FIG. 3 is a front perspective view thereof;

FIG. 4 is a bottom plan view thereof;

FIG. 5 is a top plan view thereof;

FIG. 6 is a left side elevation view thereof;

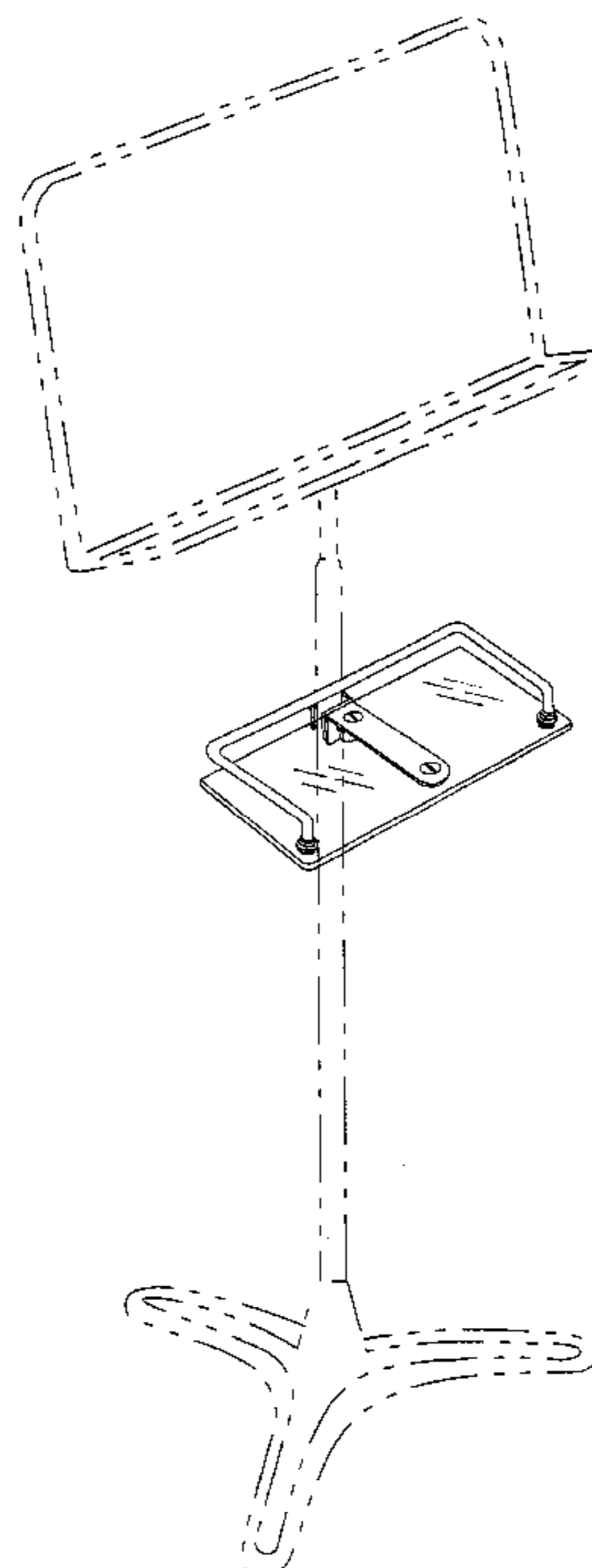
FIG. 7 is a right side elevation view thereof;

FIG. 8 is a front elevation view thereof; and,

FIG. 9 is a rear elevation view thereof.

The music stand accessory tray is shown on an enlarged scale in FIGS. 2–9.

1 Claim, 9 Drawing Sheets



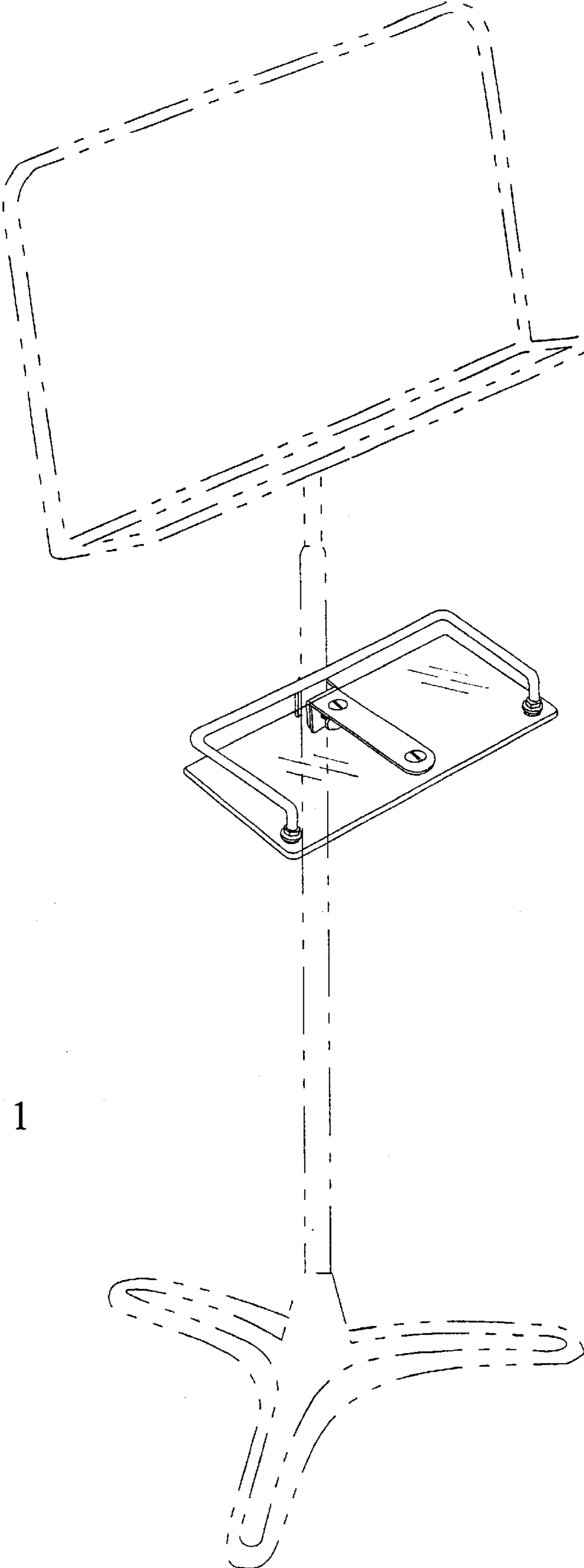


FIG. 1

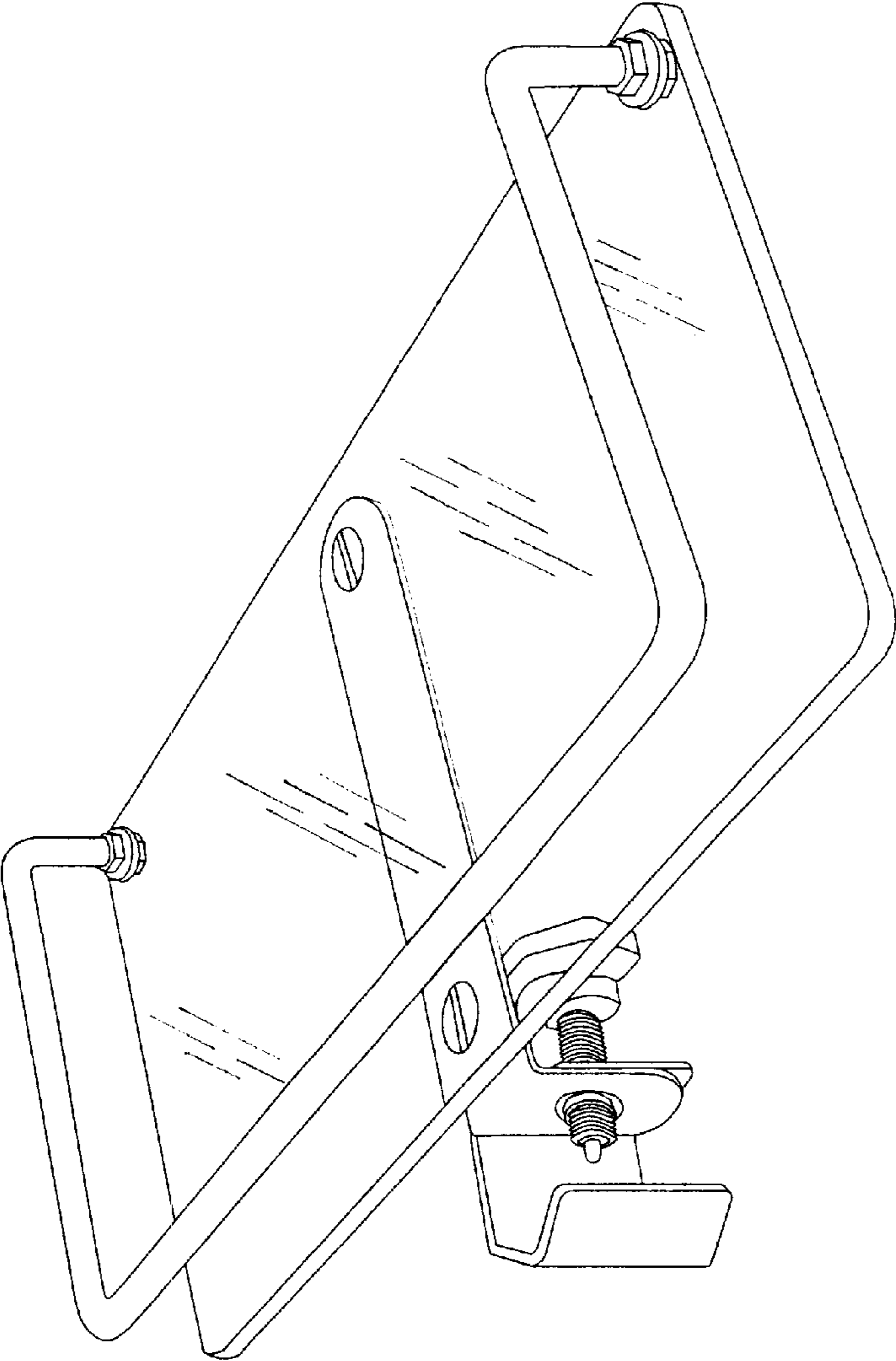


FIG. 2

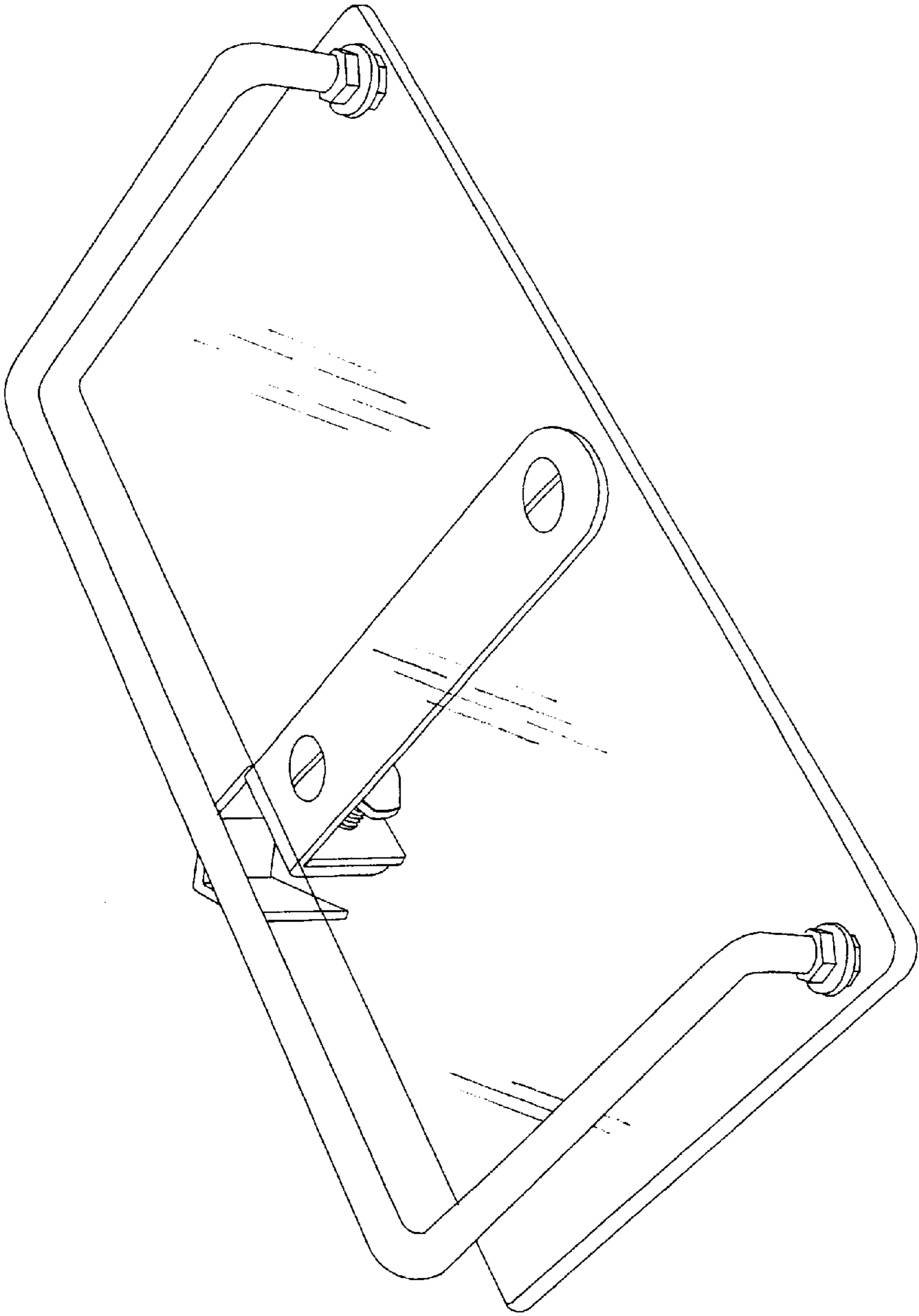


FIG. 3

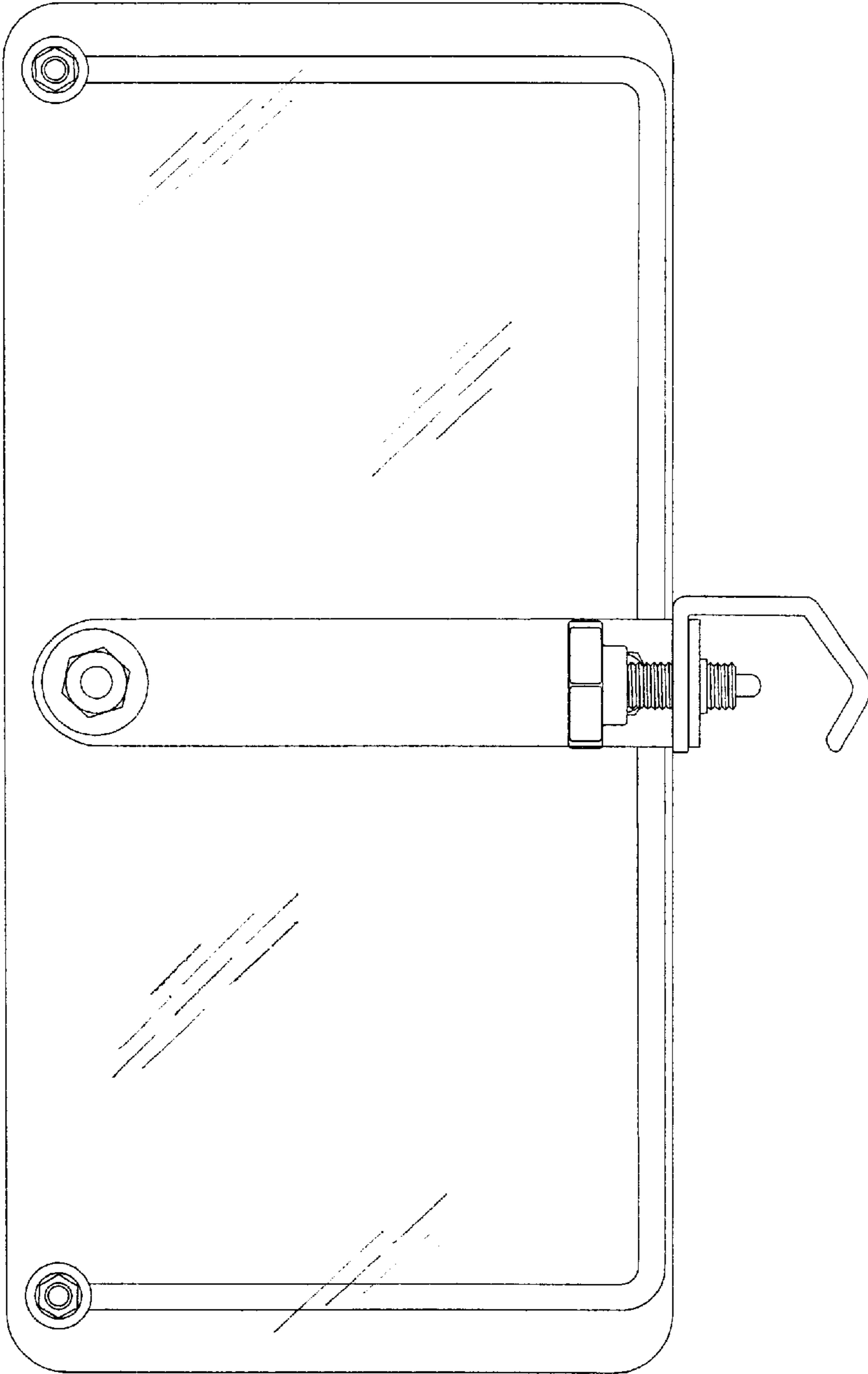


FIG. 4

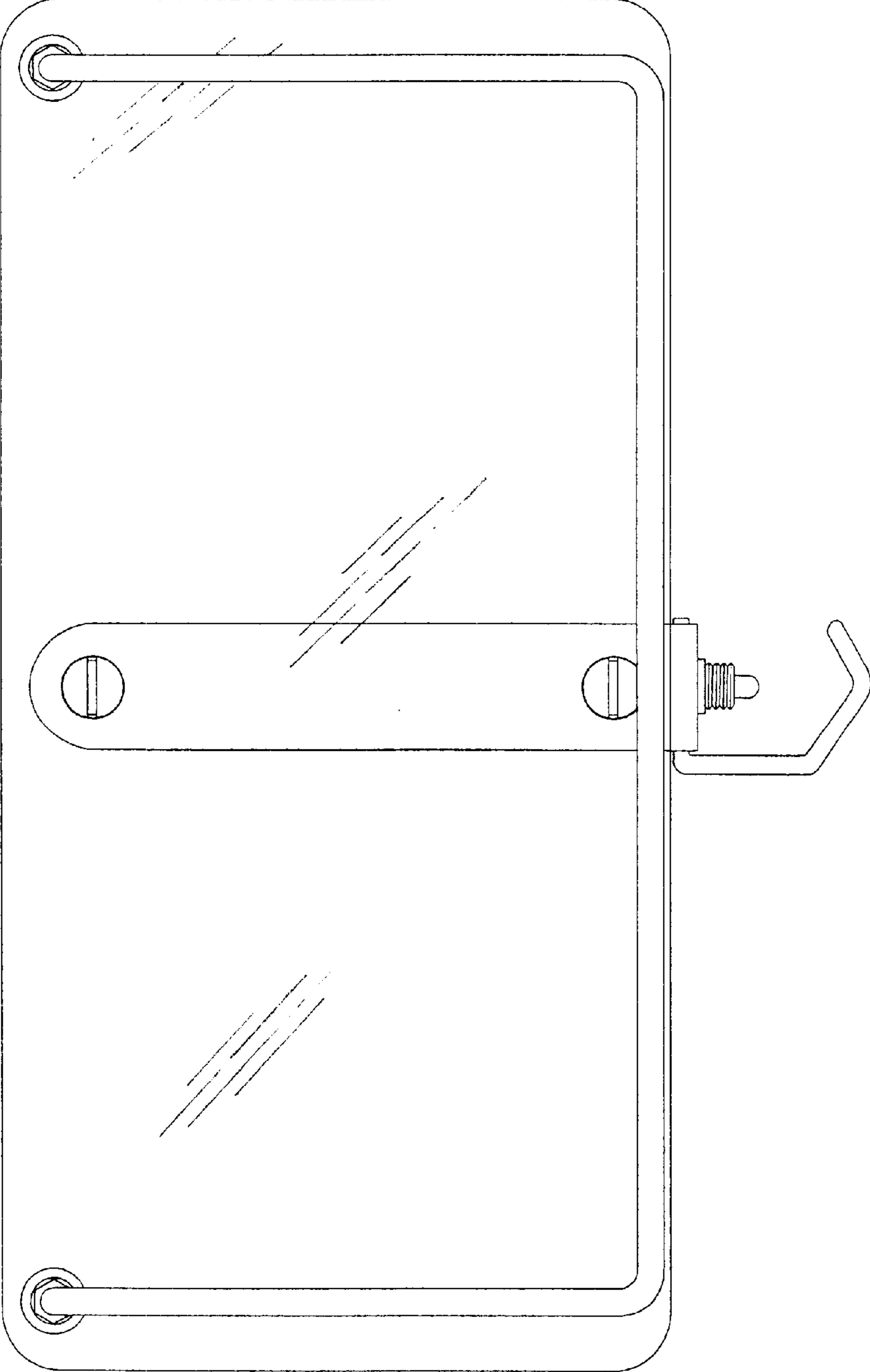


FIG. 5

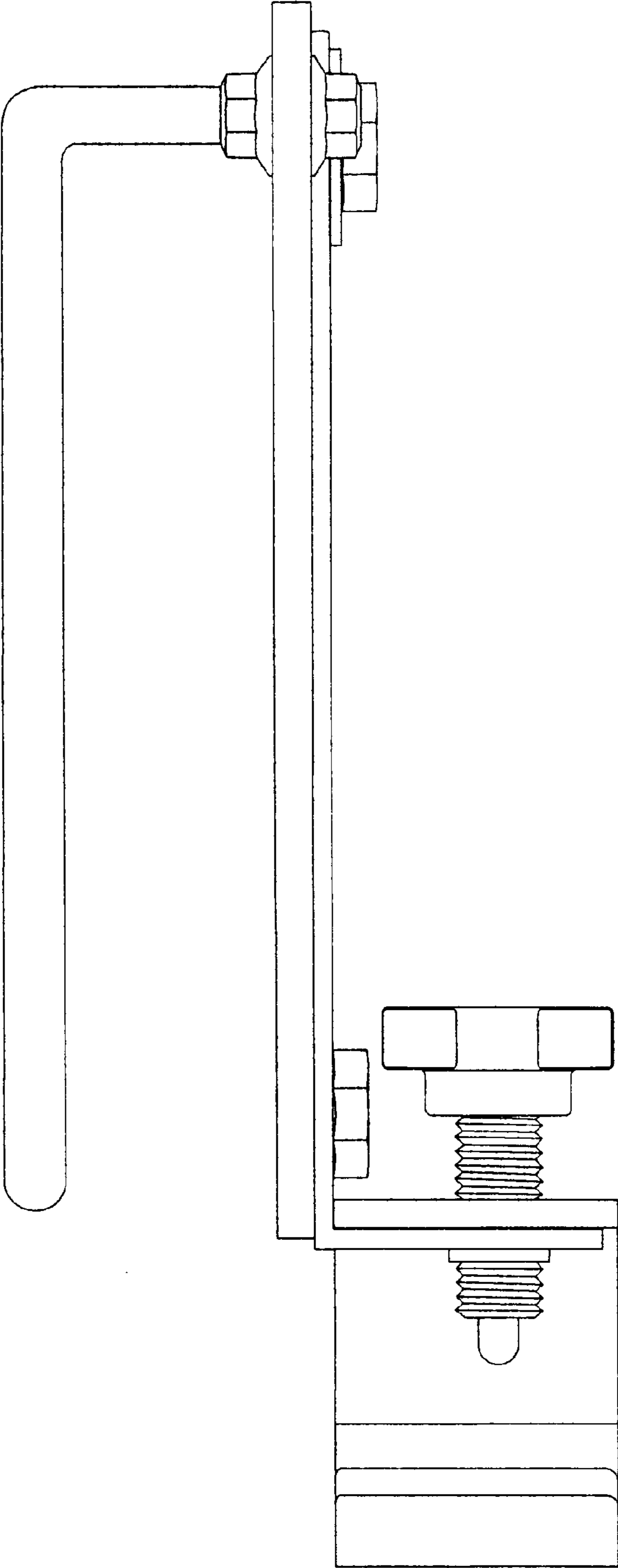


FIG. 6

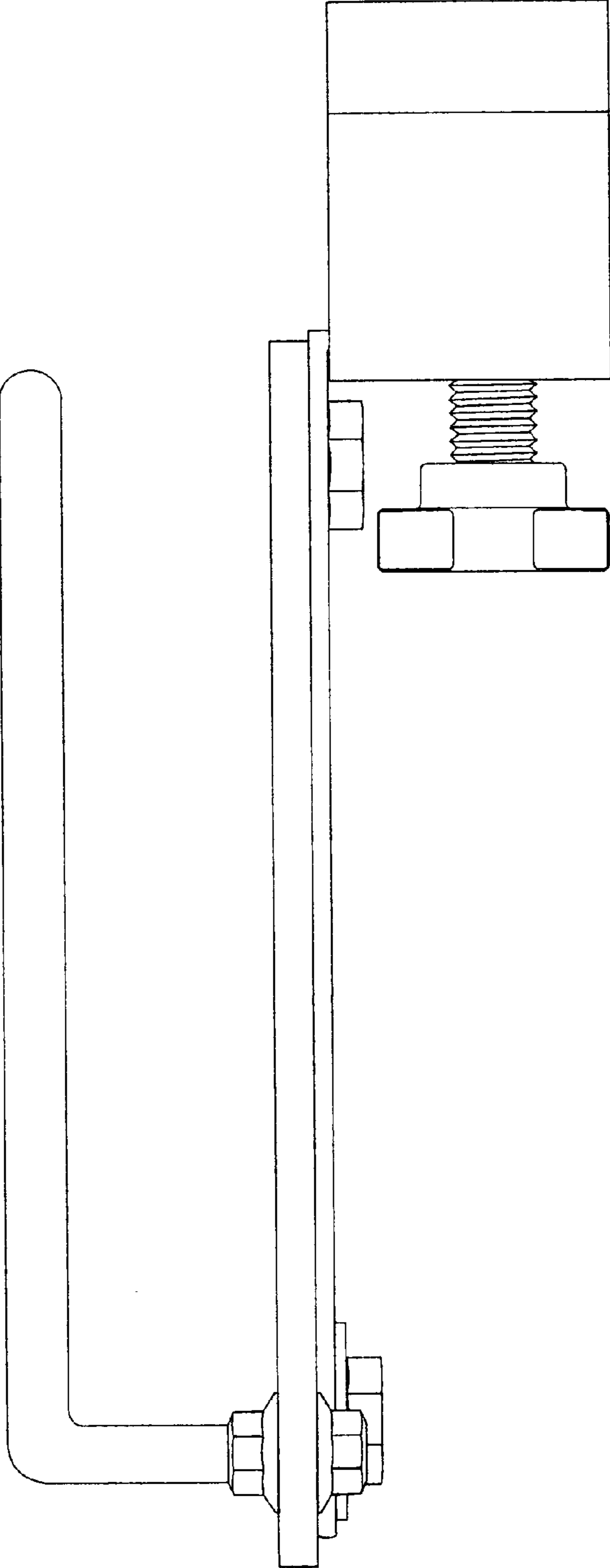


FIG. 7

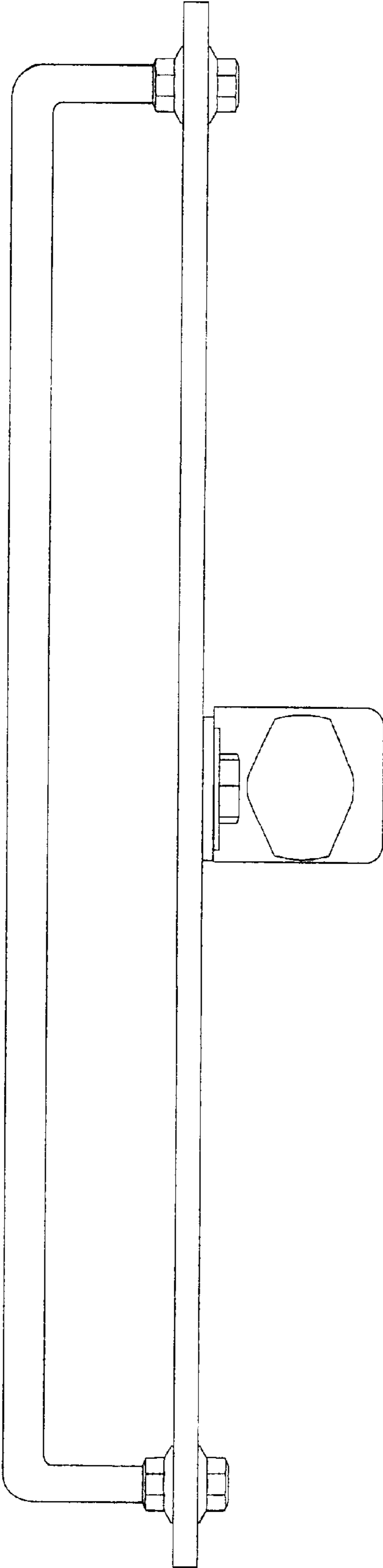


FIG. 8

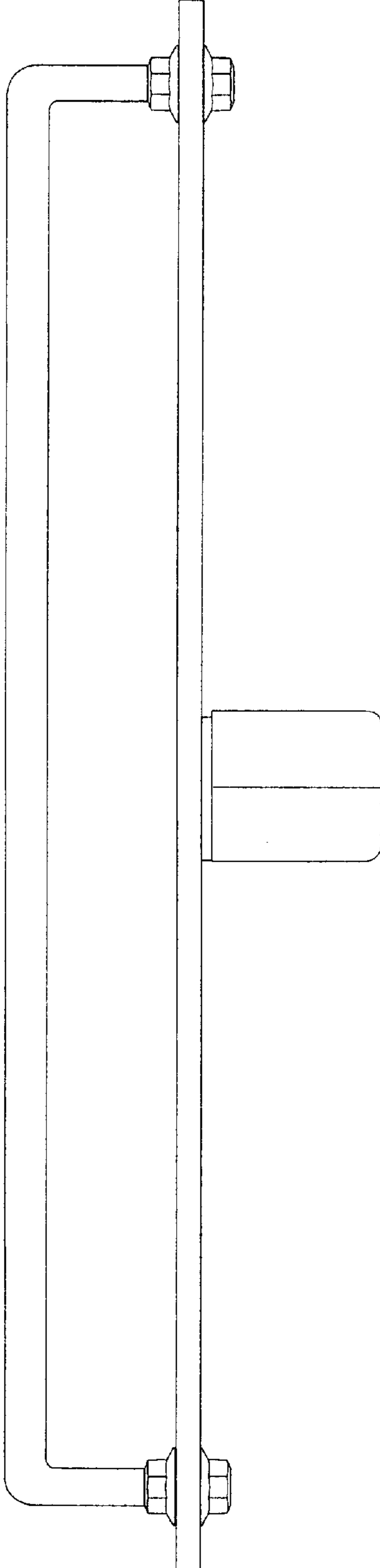


FIG. 9