



US00D510204S

(12) **United States Design Patent**
Leib

(10) **Patent No.:** **US D510,204 S**
(45) **Date of Patent:** **** Oct. 4, 2005**

(54) **SEATING**

(76) **Inventor:** **Roger K. Leib**, 1072 S. Crescent Heights Blvd., Los Angeles, CA (US) 90035

(**) **Term:** **14 Years**

(21) **Appl. No.:** **29/210,001**

(22) **Filed:** **Jul. 22, 2004**

(51) **LOC (8) Cl.** **06-01**

(52) **U.S. Cl.** **D6/374; D6/379**

(58) **Field of Search** D6/334-336, 374, D6/375, 376, 379, 380, 500-502; 297/445.1, 446.1, 452.2

(56) **References Cited**

U.S. PATENT DOCUMENTS

D270,792 S	*	10/1983	Lange	D6/374
D309,386 S	*	7/1990	Buhk	D6/379
D330,119 S	*	10/1992	Armgardt	D6/379
D338,785 S	*	8/1993	Lange	D6/379
D352,183 S	*	11/1994	Sheridan	D6/374
D357,821 S	*	5/1995	Tedesco	D6/379
D394,176 S	*	5/1998	Diramarian	D6/334
D396,966 S	*	8/1998	Good	D6/374
D414,620 S	*	10/1999	Kabadayan	D6/380
D456,631 S	*	5/2002	Giordano	D6/380
D464,494 S	*	10/2002	Gasca Burges	D6/374
D470,670 S	*	2/2003	Meyer	D6/374

OTHER PUBLICATIONS

NeoCon 2000 seating, undated.

* cited by examiner

Primary Examiner—Mimosa De

(74) *Attorney, Agent, or Firm*—Sheldon & Mak; Jeffrey G. Sheldon

(57) **CLAIM**

The ornamental design for seating, as shown and described.

DESCRIPTION

FIG. 1 is a perspective view of seating according to the present invention;

FIG. 2 is a reduced rear elevation view of the seating of FIG. 1;

FIG. 3 is a reduced side elevation of the seating of FIG. 1, taken on the right side of the seating, where the right side elevation view is a mirror image of the left side elevation view;

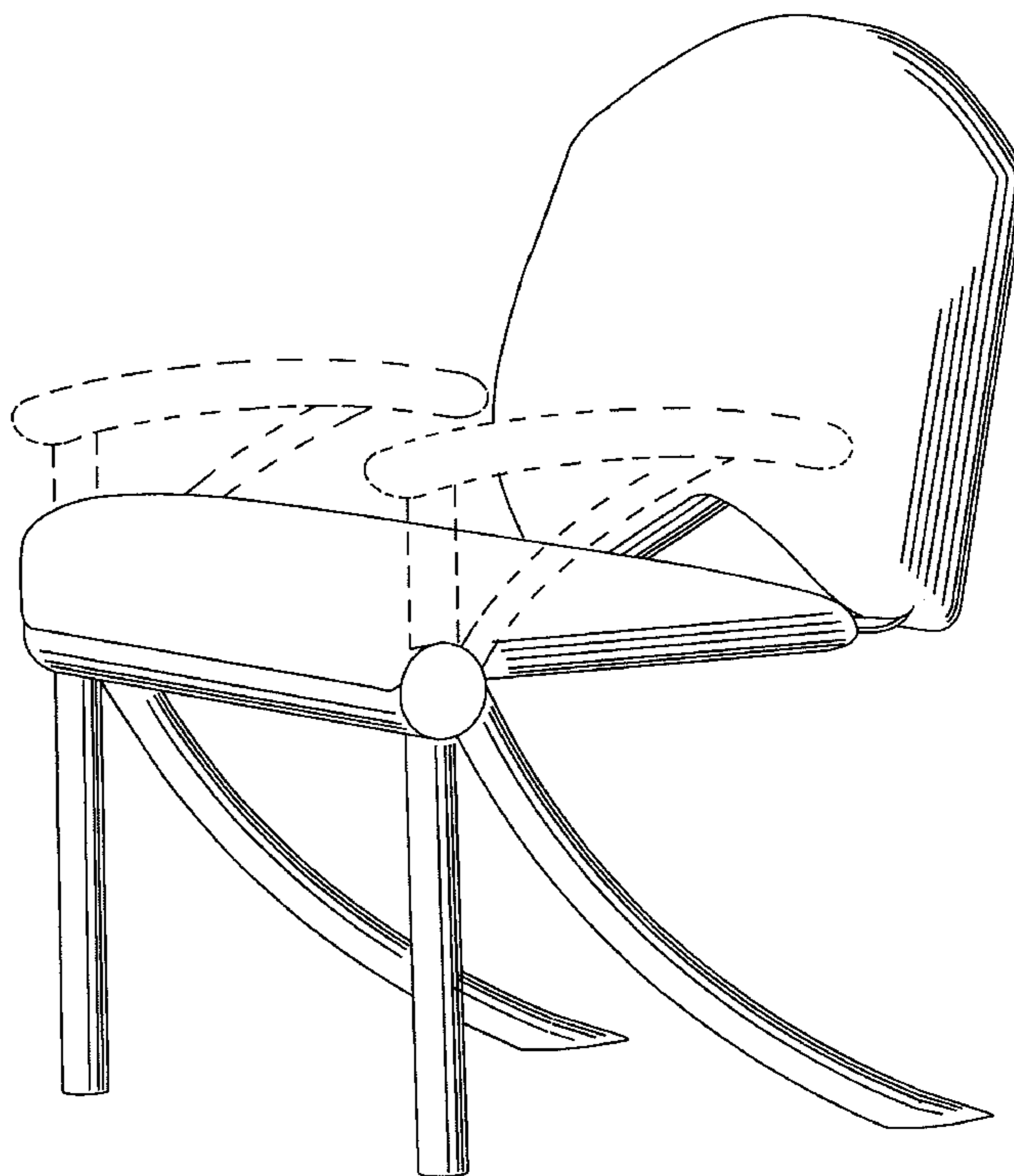
FIG. 4 is a reduced top plan view of the seating of FIG. 1;

FIG. 5 is a reduced front elevation view of the seating of FIG. 1; and,

FIG. 6 is a reduced bottom plan view of the seating of FIG. 1.

Arm rests are shown as broken lines, and are present only for illustrative purposes and form no part of the claimed design of the invention.

1 Claim, 3 Drawing Sheets



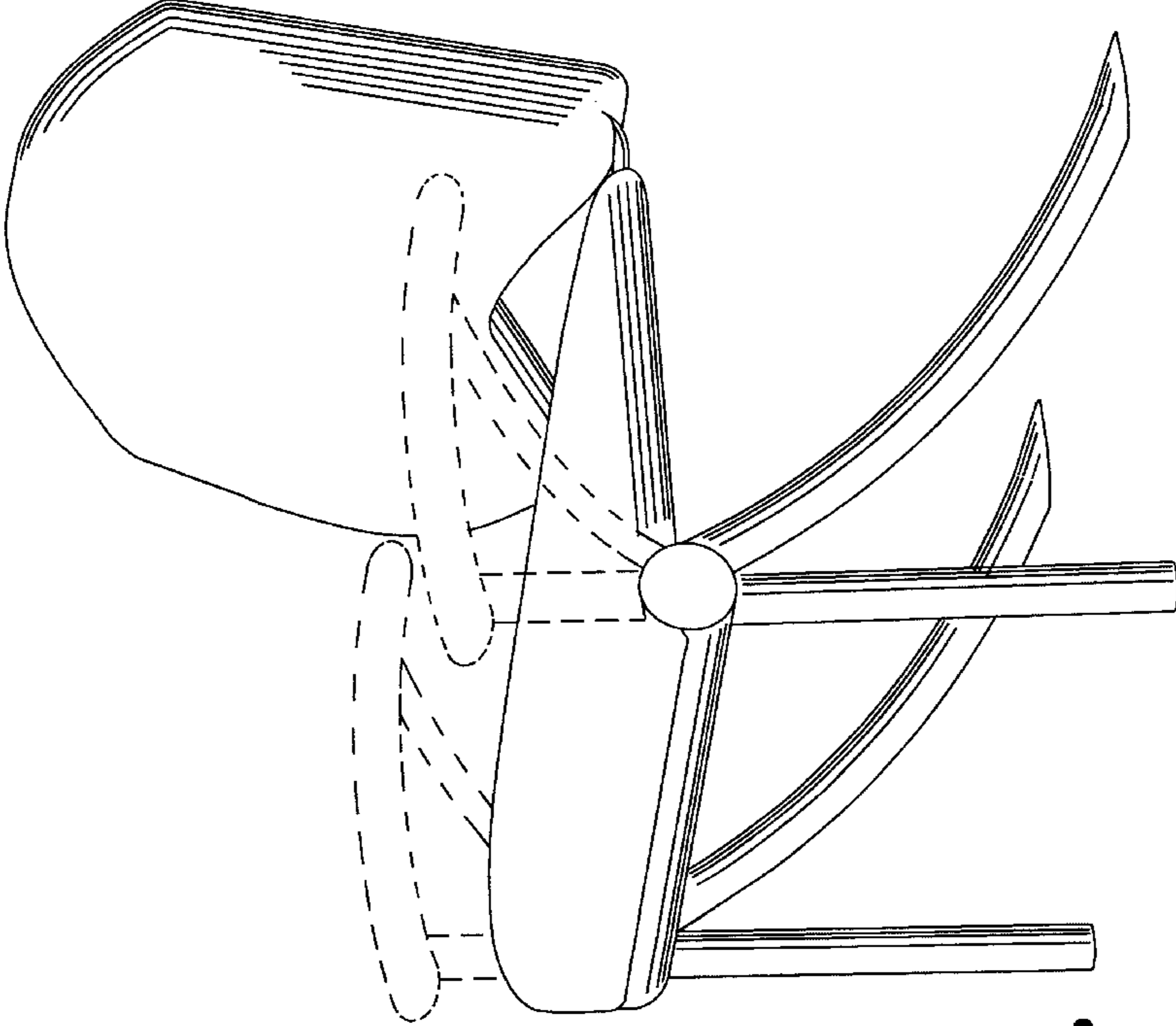


Fig 1.

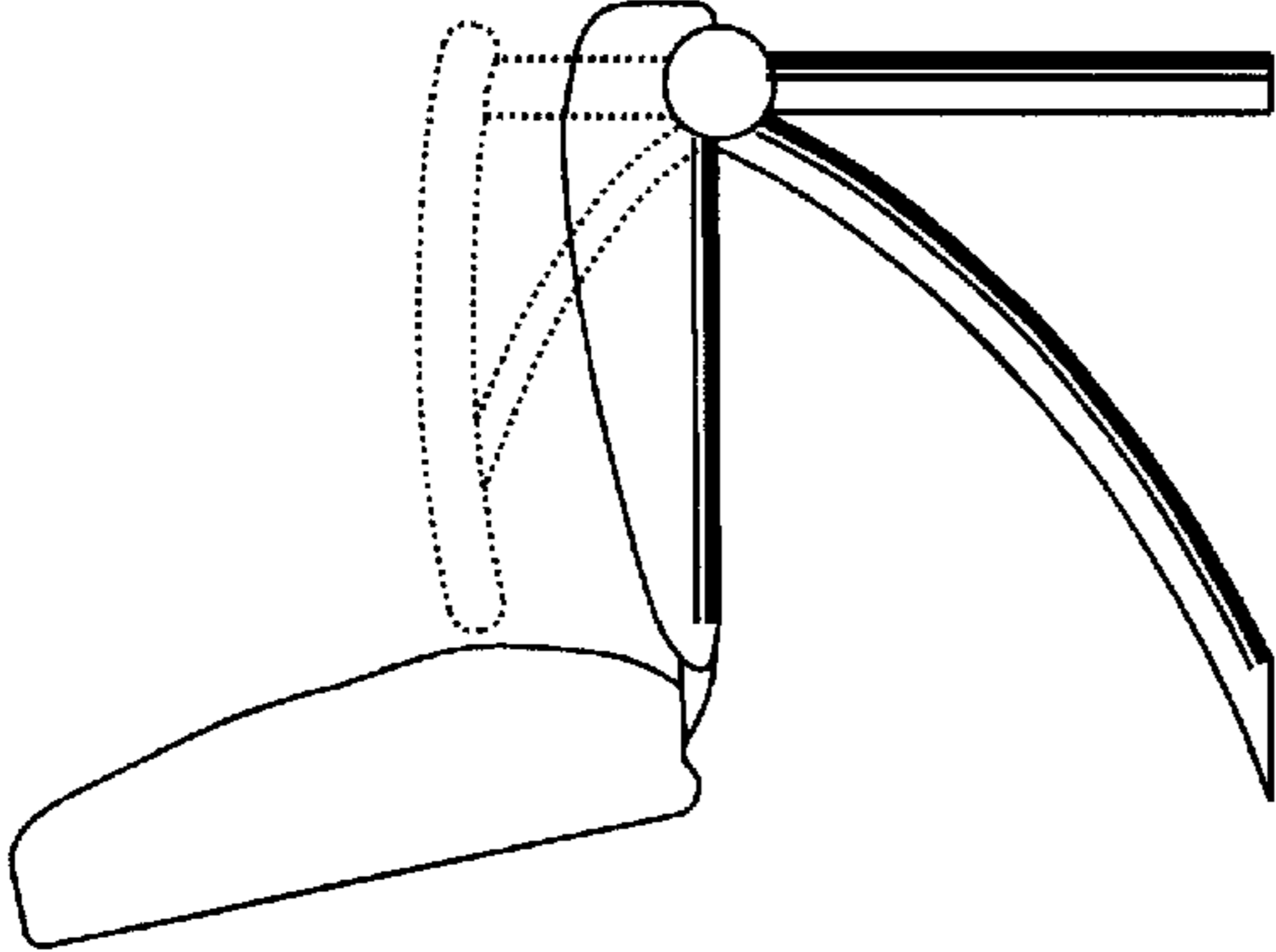


Fig 3.

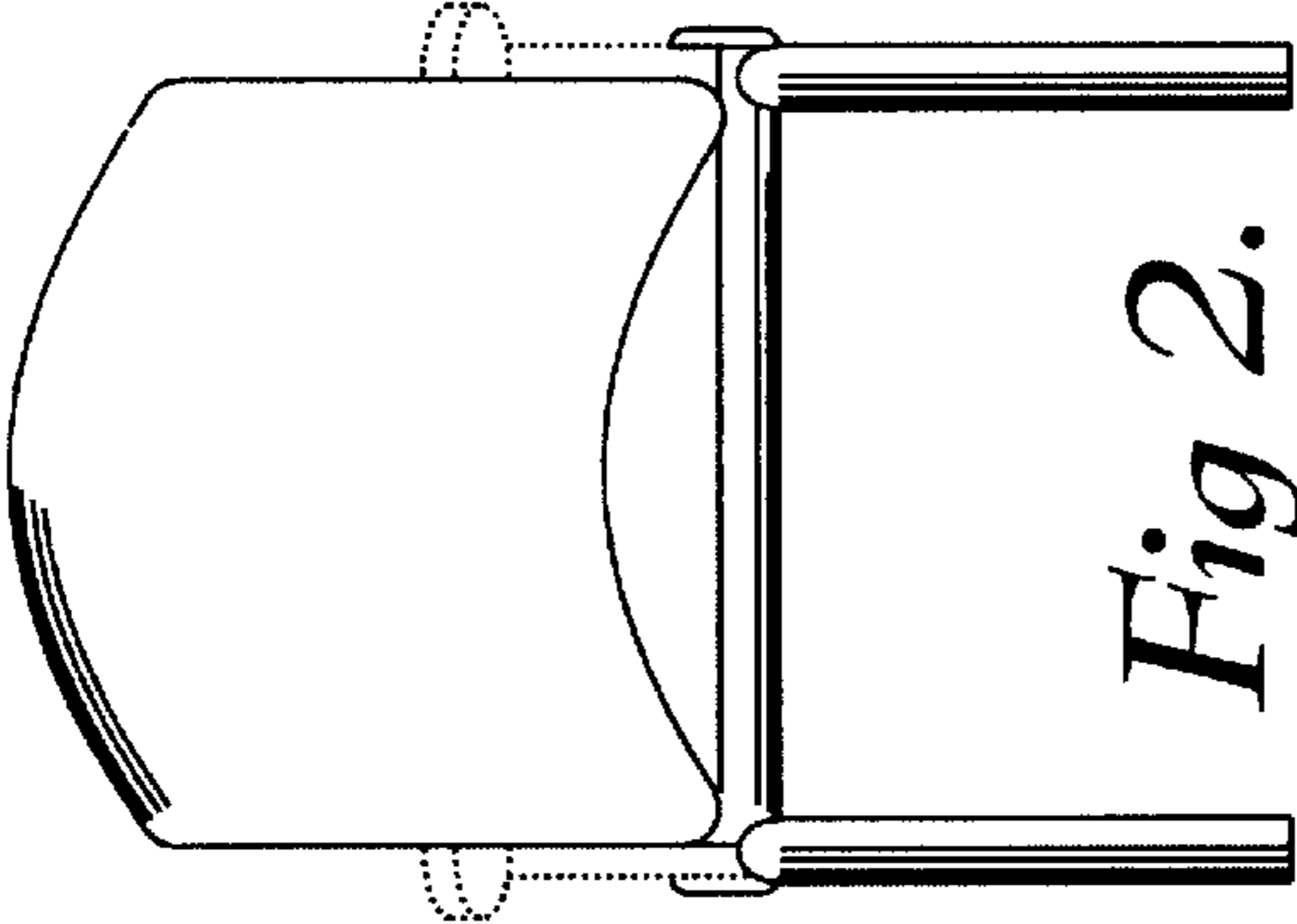


Fig 2.

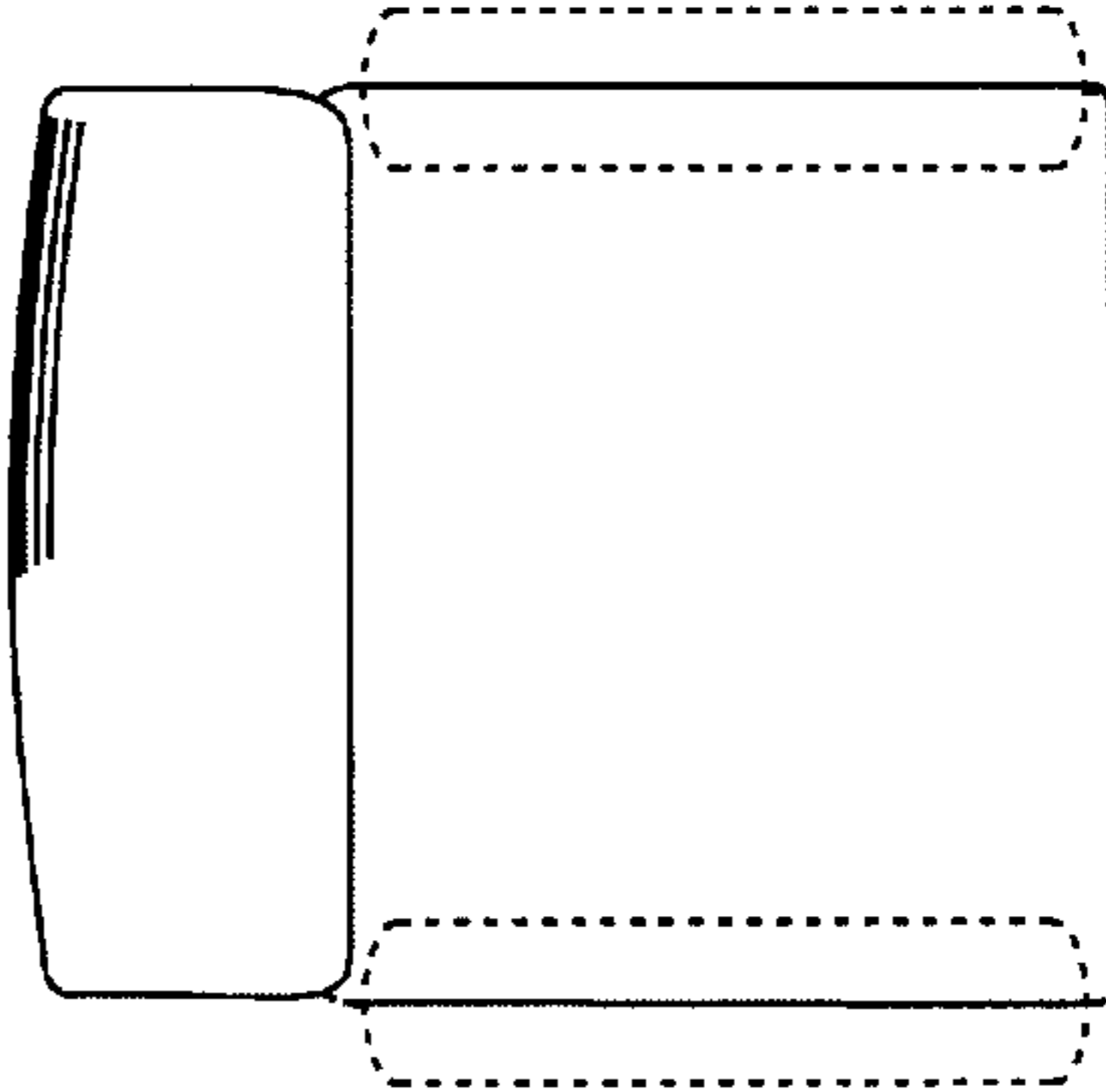


Fig 4.

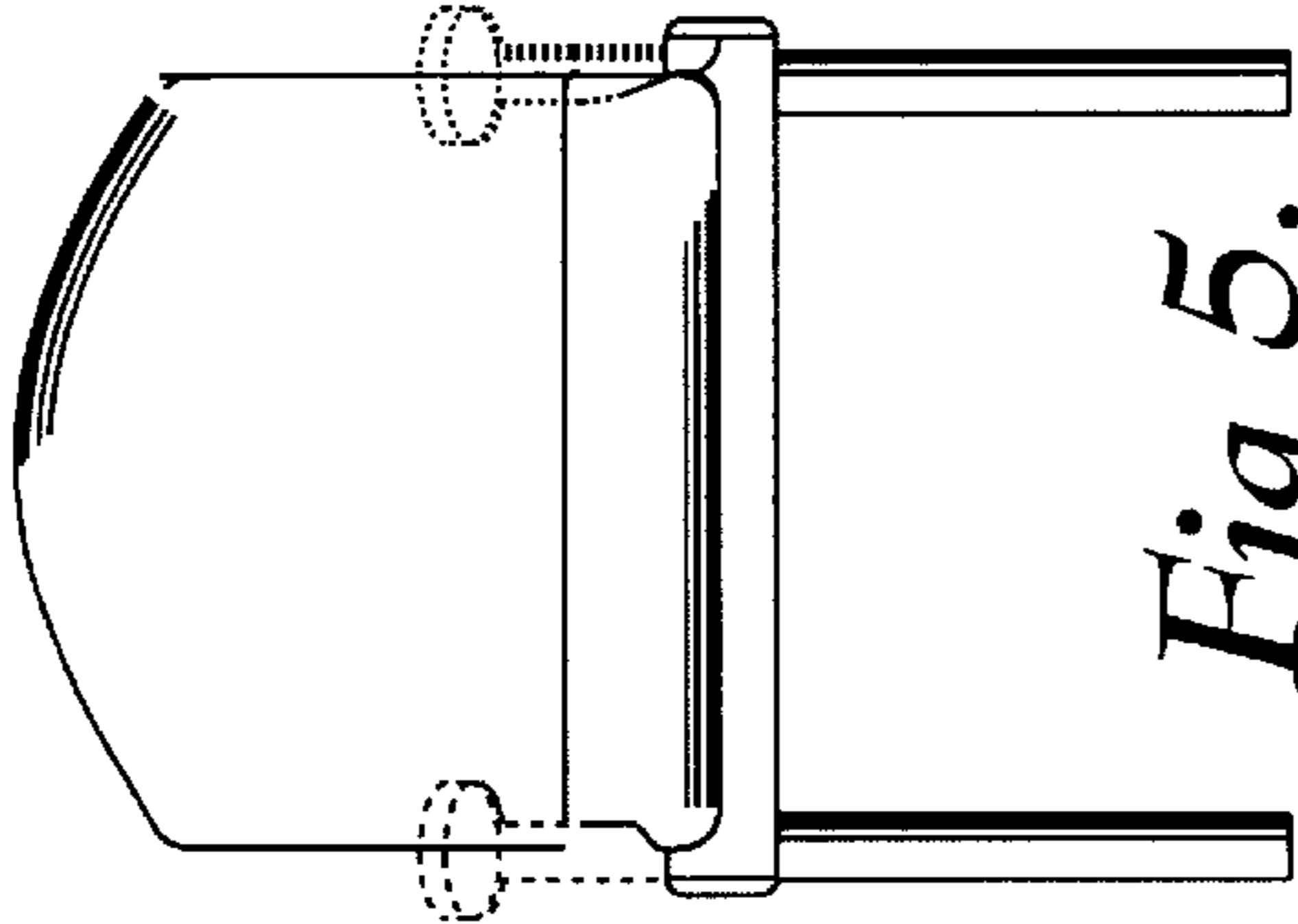


Fig 5.

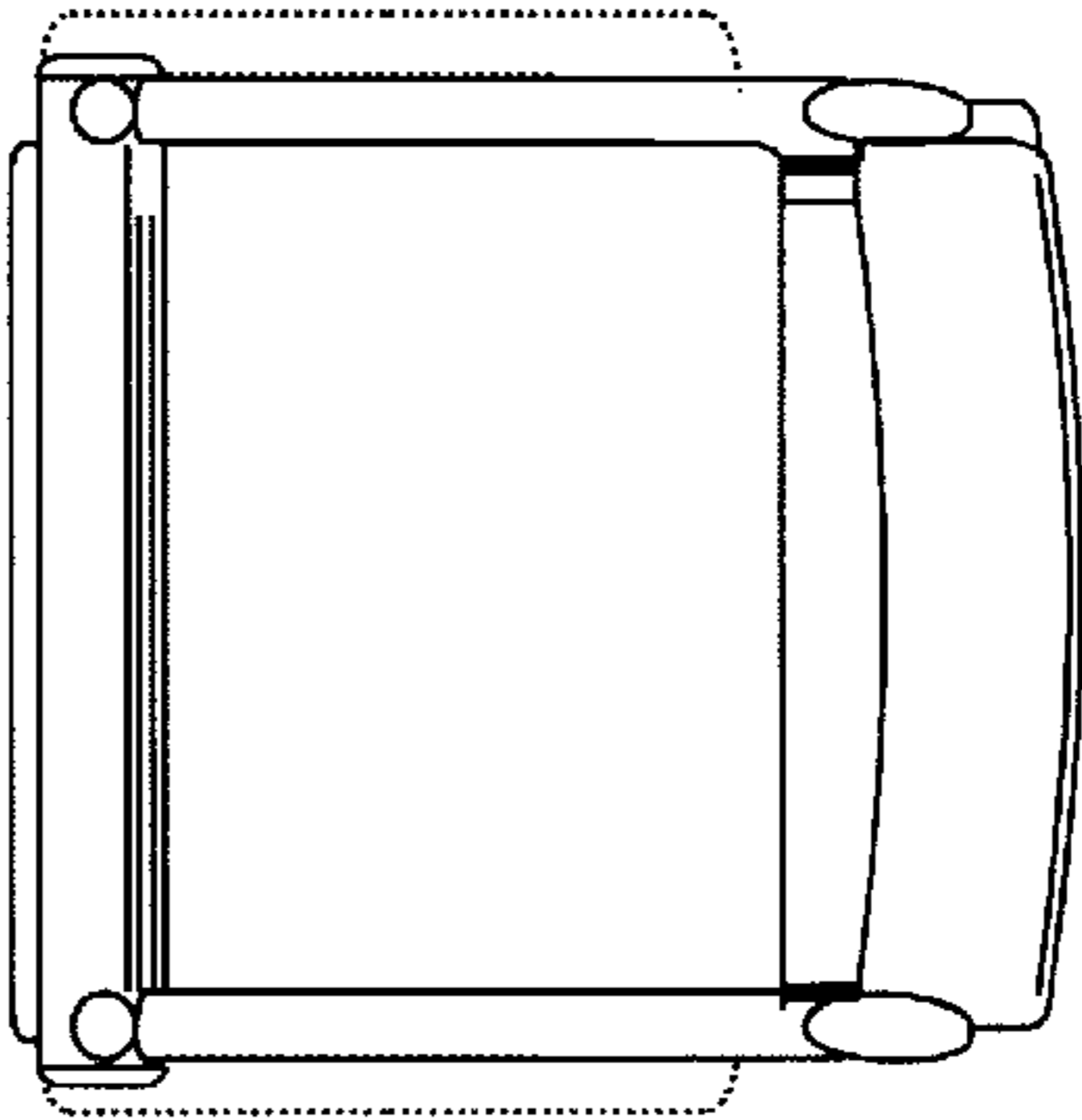


Fig 6.