



US00D510202S

(12) **United States Design Patent**  
**Chadwick et al.**

(10) **Patent No.: US D510,202 S**  
(45) **Date of Patent: \*\* Oct. 4, 2005**

(54) **ADJUSTABLE CHAIR**

(57) **CLAIM**

(75) Inventors: **Donald Chadwick**, Los Angeles, CA  
(US); **Francisco Romero**, Venice, CA  
(US)

We claim the ornamental design for an adjustable chair, as shown and described.

(73) Assignee: **Hanssem Co., Ltd.**, Seoul (KR)

(\*\*) Term: **14 Years**

**DESCRIPTION**

(21) Appl. No.: **29/178,823**

(22) Filed: **Mar. 31, 2003**

(51) **LOC (8) Cl.** ..... **06-01**

(52) **U.S. Cl.** ..... **D6/366**

(58) **Field of Search** ..... D6/334-335, 364-367,  
D6/379-380, 500-502; 297/411.2, 411.27,  
411.36, 445.1

FIG. 1 is a perspective view of a first embodiment of an adjustable chair embodying the new design.

FIG. 2 is a front elevational view of the design depicted in FIG. 1;

FIG. 3 is a rear elevational view of the design depicted in FIG. 1;

FIG. 4 is a left side elevational view of the design depicted in FIG. 1;

FIG. 5 is a right side elevational view of the design depicted in FIG. 1;

FIG. 6 is a top plan view of the design depicted in FIG. 1;

FIG. 7 is a bottom plan view of the design depicted in FIG. 1;

FIG. 8 is a perspective view of a second embodiment of an adjustable chair embodying the new design.

FIG. 9 is a front elevational view of the design depicted in FIG. 8;

FIG. 10 is a rear elevational view of the design depicted in FIG. 8;

FIG. 11 is a left side elevational view of the design depicted in FIG. 8;

FIG. 12 is a right side elevational view of the design depicted in FIG. 8;

FIG. 13 is a top plan view of the design depicted in FIG. 8;

and, FIG. 14 is a bottom plan view of the design depicted in FIG. 8.

(56) **References Cited**

**U.S. PATENT DOCUMENTS**

3,147,040 A	9/1964	Easterbrook	
D296,394 S	6/1988	Chadwick et al. ....	D6/366
4,793,654 A	12/1988	Takafuji	
4,854,641 A	8/1989	Reineman et al.	
4,889,385 A	12/1989	Chadwick et al. ....	297/302
4,944,556 A	7/1990	Griesbaum et al.	
D318,577 S	7/1991	Chadwick et al. ....	D6/366
5,143,422 A	9/1992	Althofer et al.	
D346,279 S	4/1994	Stumpf et al. ....	D6/366
5,782,532 A	7/1998	Opsvik	

(Continued)

**OTHER PUBLICATIONS**

Vitra, Meda Chair, Meda Collection, brochure (2002).

Vitra, Ypsilon, Bellini Collection, brochure (2002).

*Primary Examiner*—Mimosa De

(74) *Attorney, Agent, or Firm*—Sheppard, Mullin, Richter & Hampton LLP

The broken lines in each embodiment showing the material for the seat and the back support positioned within the seat frame and the back support frame, respectively, are for illustrative purposes only and form no part of the claimed design.

**1 Claim, 8 Drawing Sheets**



# US D510,202 S

Page 2

---

## U.S. PATENT DOCUMENTS

5,971,484	A	10/1999	Lamart et al.		
6,095,606	A	8/2000	Opsvik		
6,125,521	A	10/2000	Stumpf et al. ....	29/448	
D436,260	S	* 1/2001	Nagamitsu .....	D6/366	
D442,790	S	* 5/2001	Simons et al. ....	D6/366	
D445,613	S	* 7/2001	Ginat .....	D6/500	
D449,172	S	* 10/2001	Van De Riet et al. ....	D6/366	
6,296,313	B1	10/2001	Wu		
6,302,482	B1	10/2001	Moll et al.		
D451,293	S	* 12/2001	Su .....	D6/366	
D451,723	S	* 12/2001	Grove .....	D6/500	
D456,160	S	* 4/2002	Van De Riet et al. ....	D6/366	
D471,024	S	3/2003	Chadwick et al. ....	D6/366	
D474,346	S	* 5/2003	Saylor et al. ....	D6/366	
D475,544	S	6/2003	Chadwick et al. ....	D6/380	
D481,230	S	* 10/2003	Piretti et al. ....	D6/500	
D495,890	S	* 9/2004	Chadwick et al. ....	D6/380 X	

\* cited by examiner



*FIG. 1*

FIG. 2

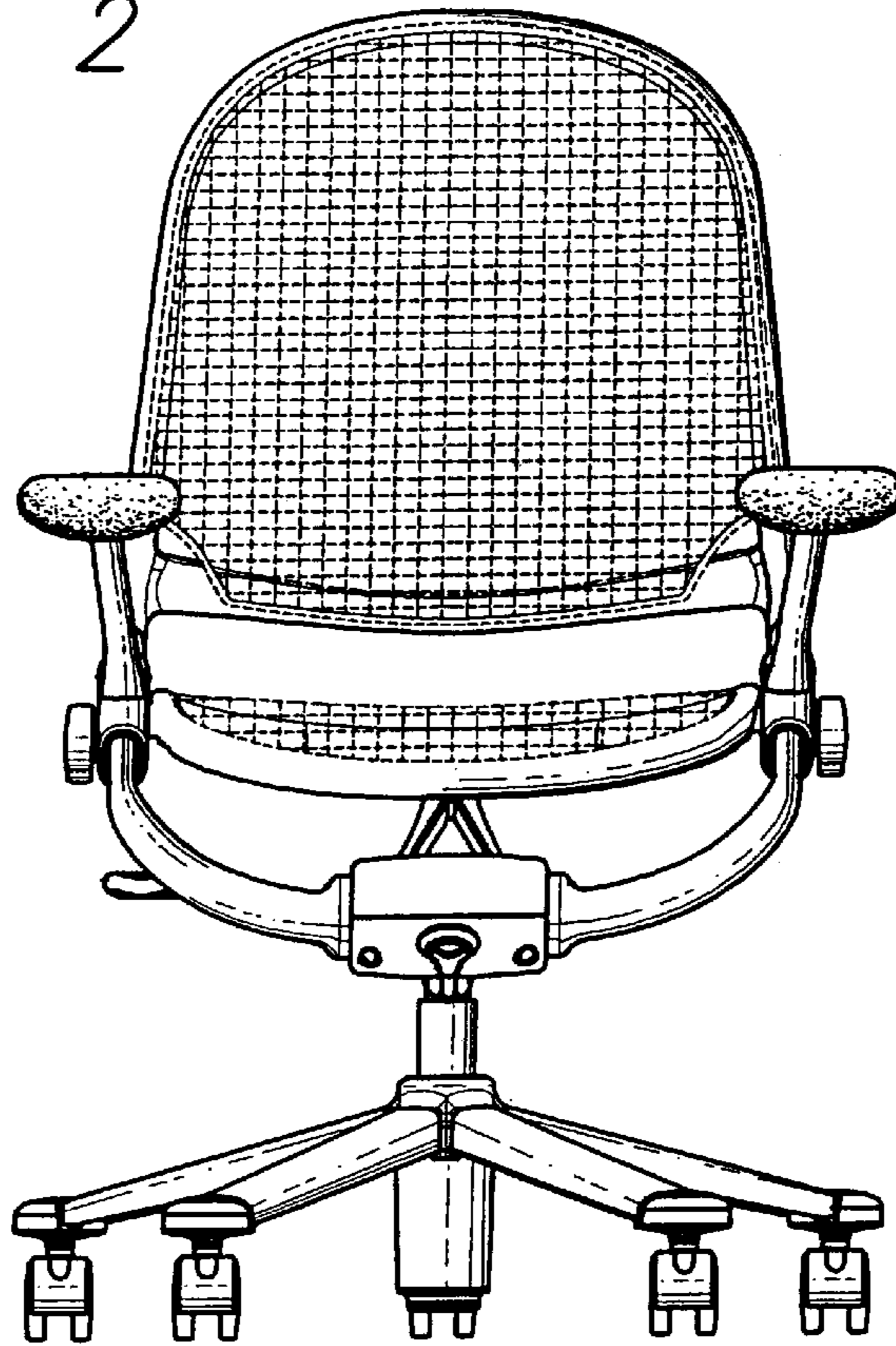


FIG. 3

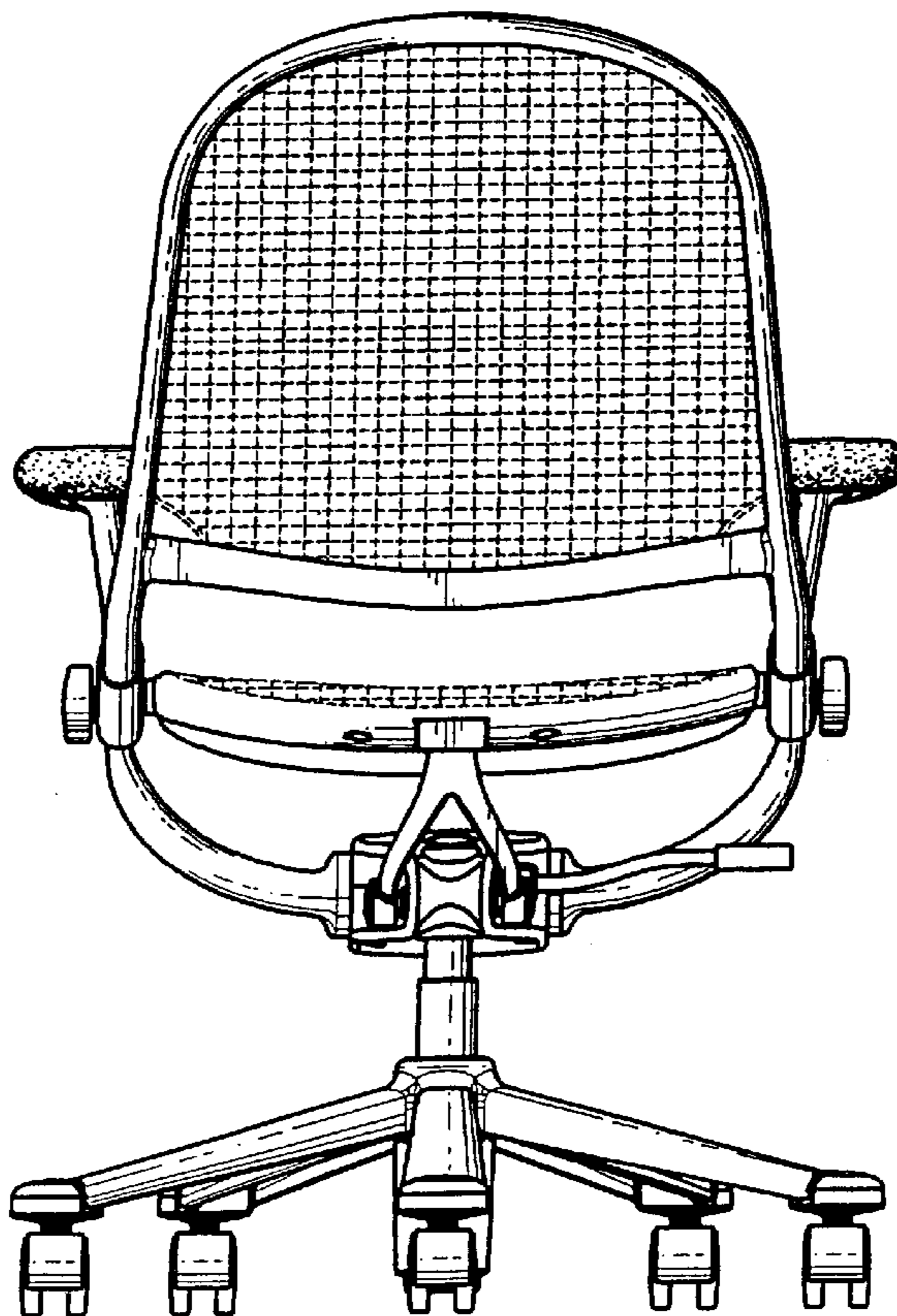


FIG. 4

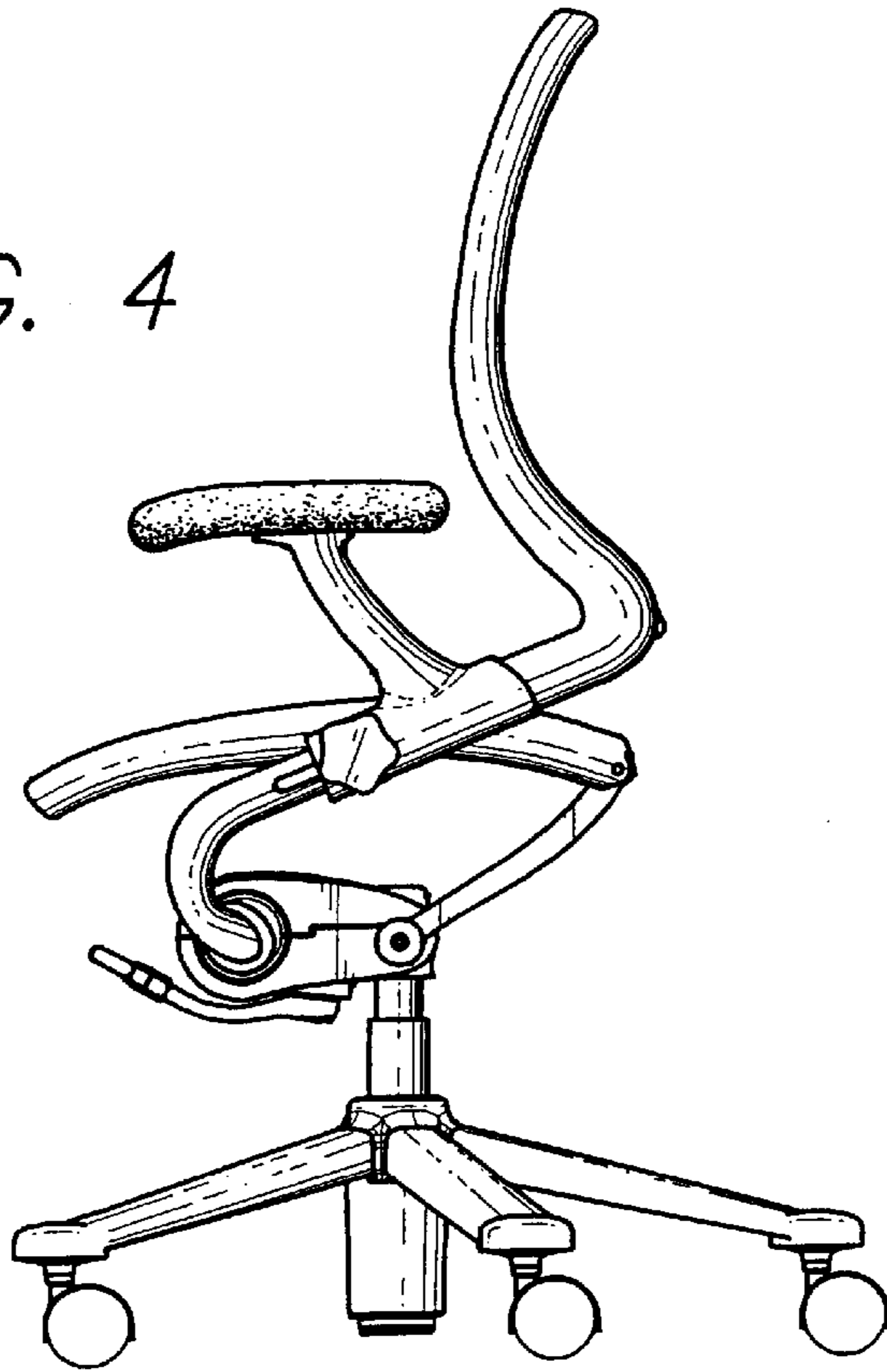


FIG. 5

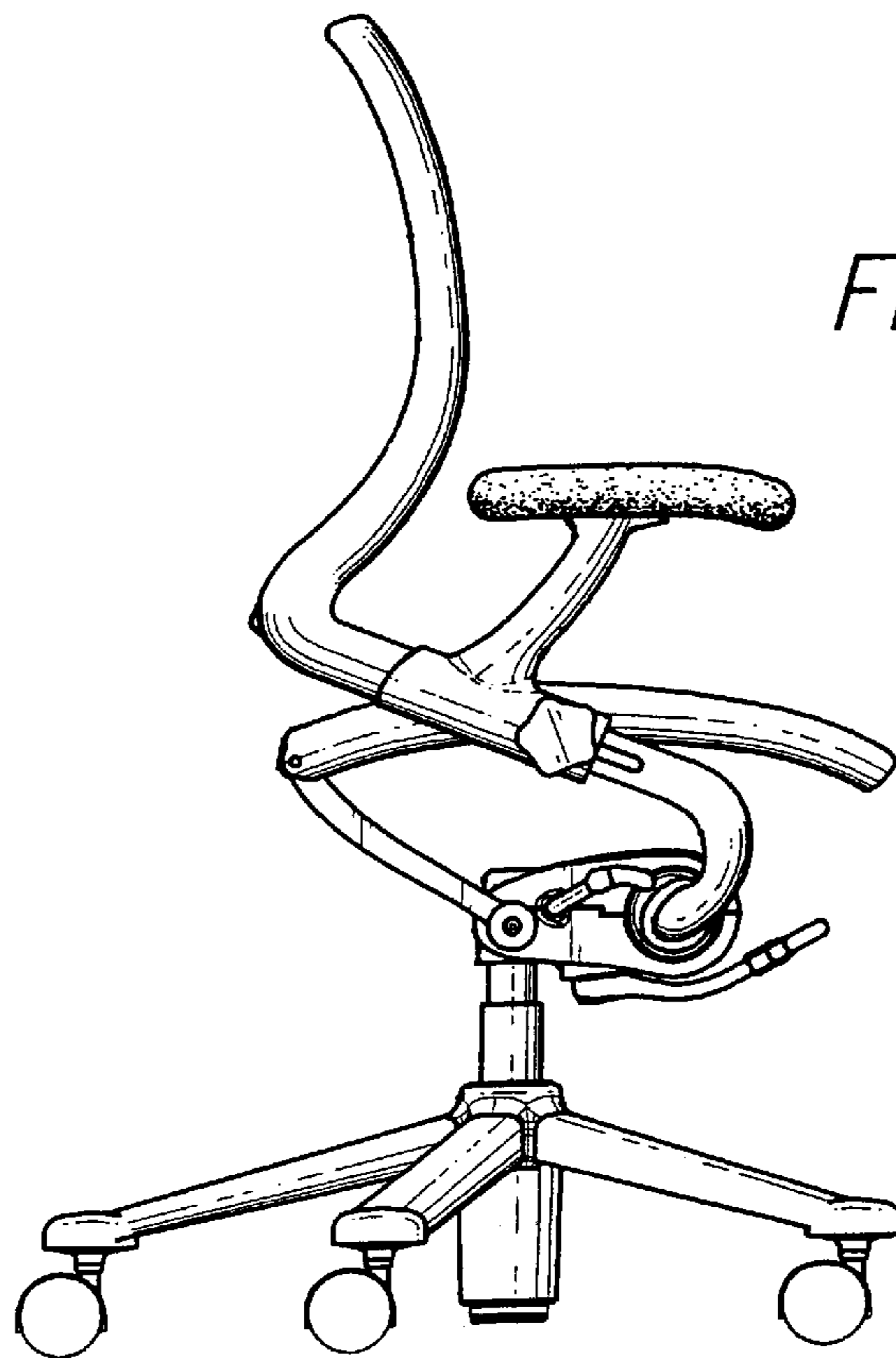


FIG. 6

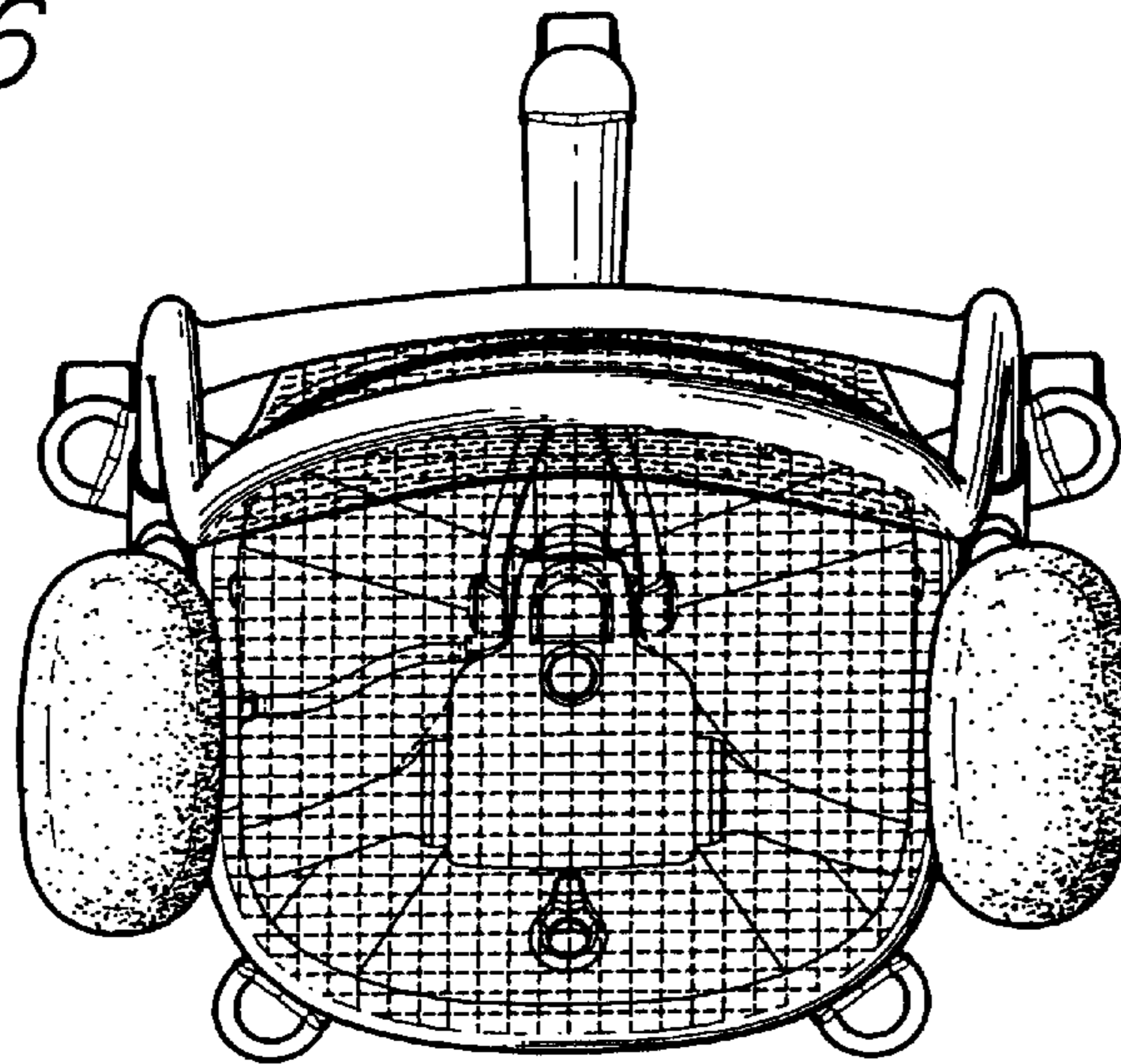
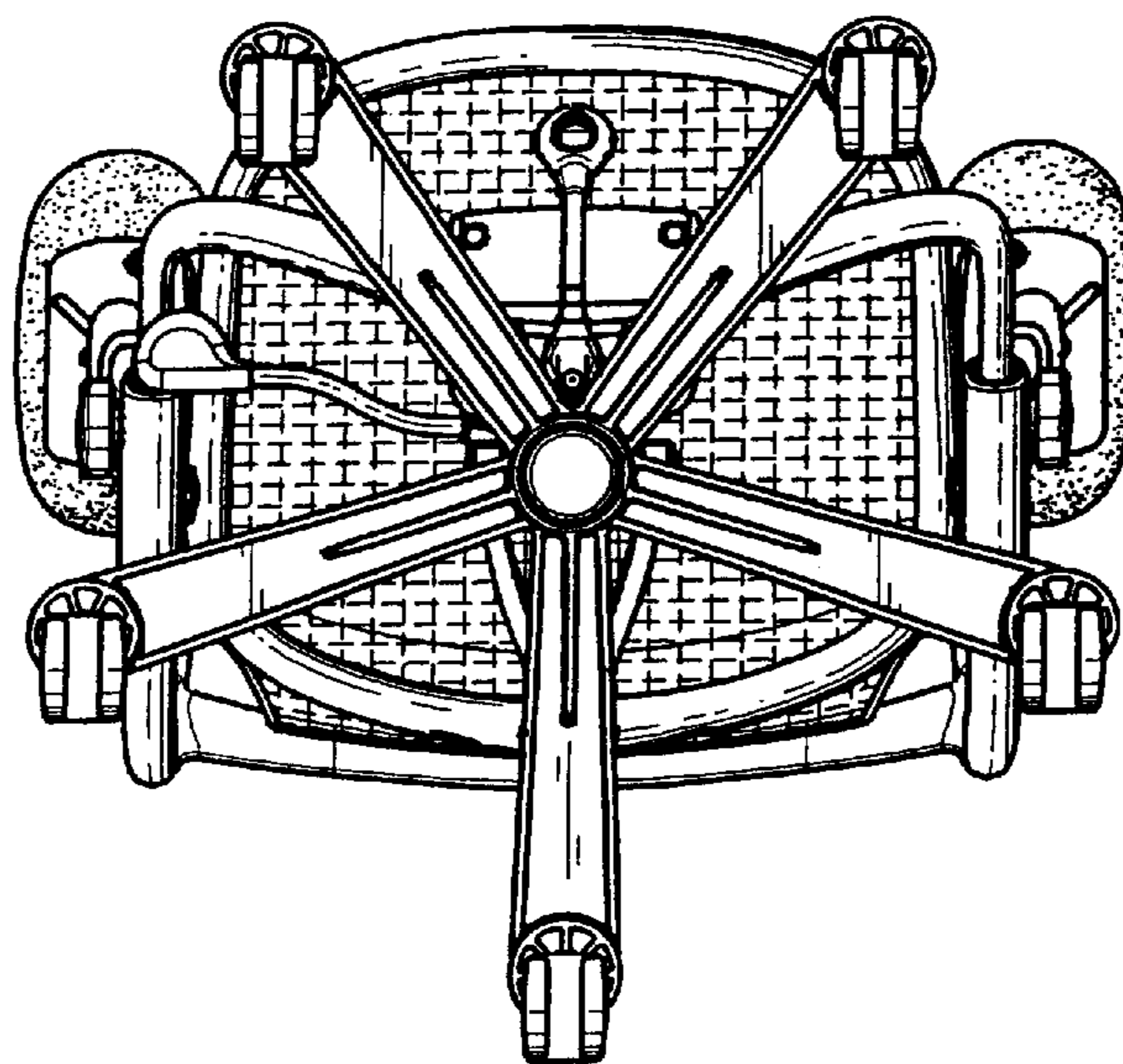


FIG. 7



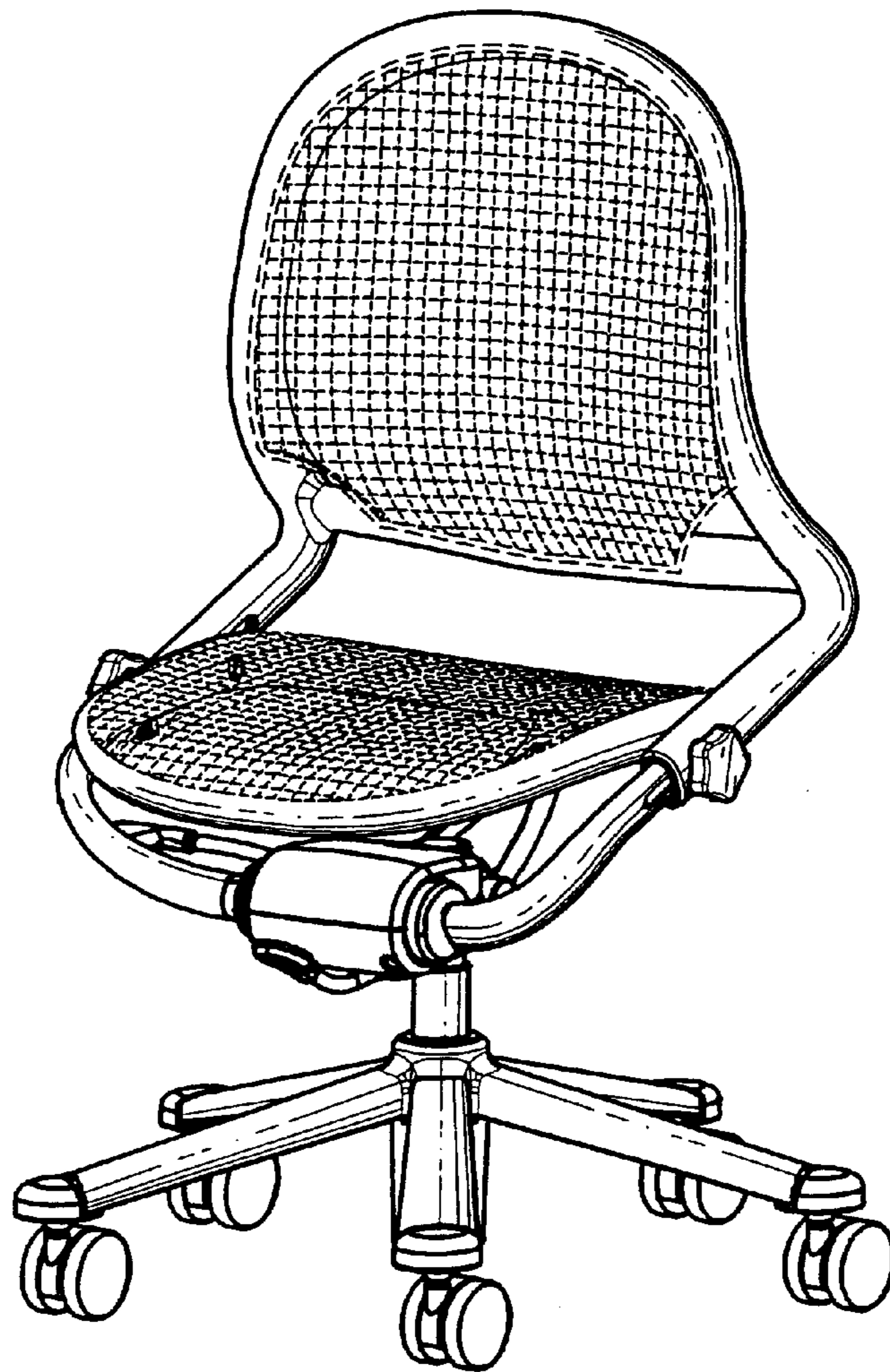


FIG. 8

FIG. 9

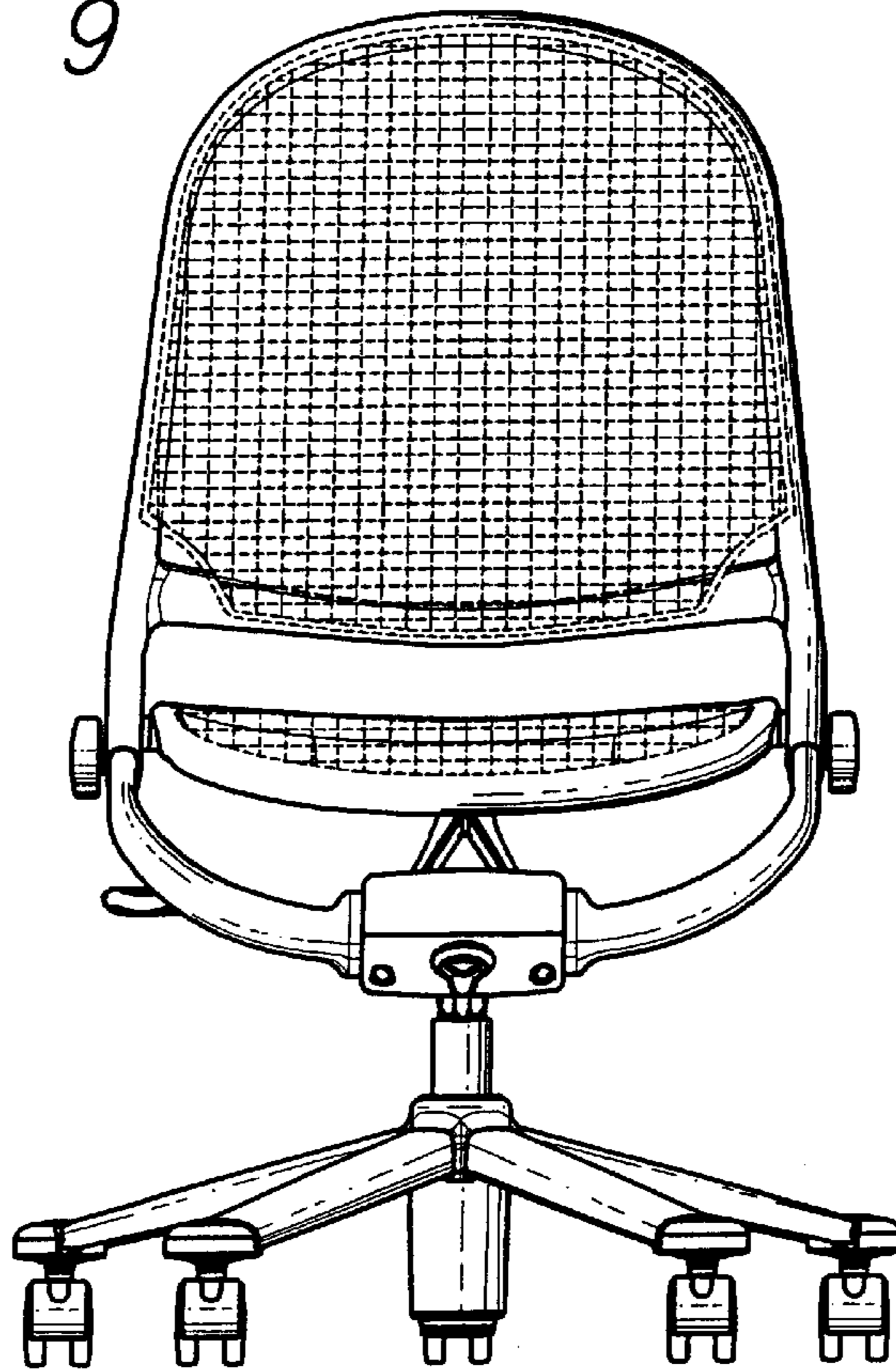
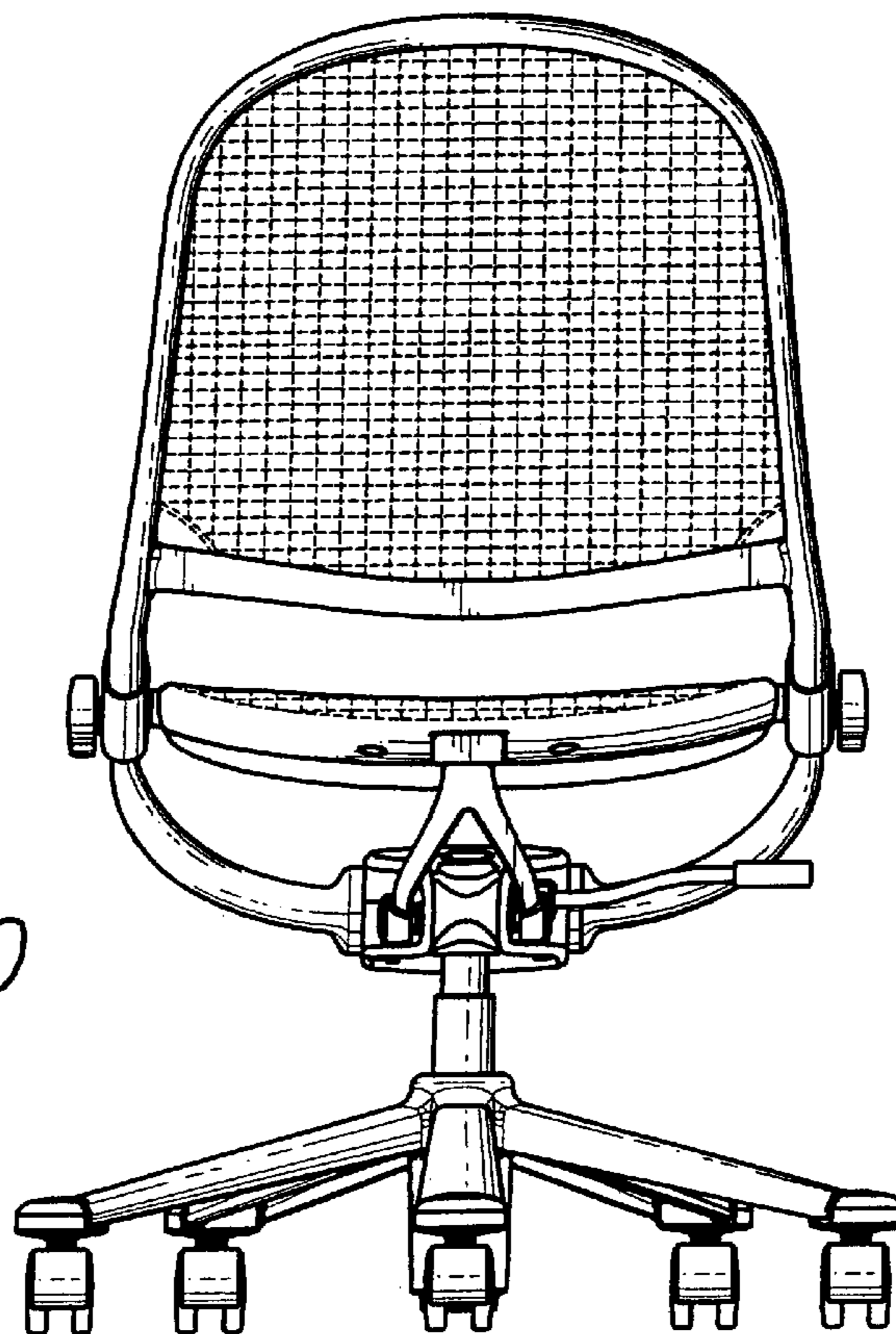
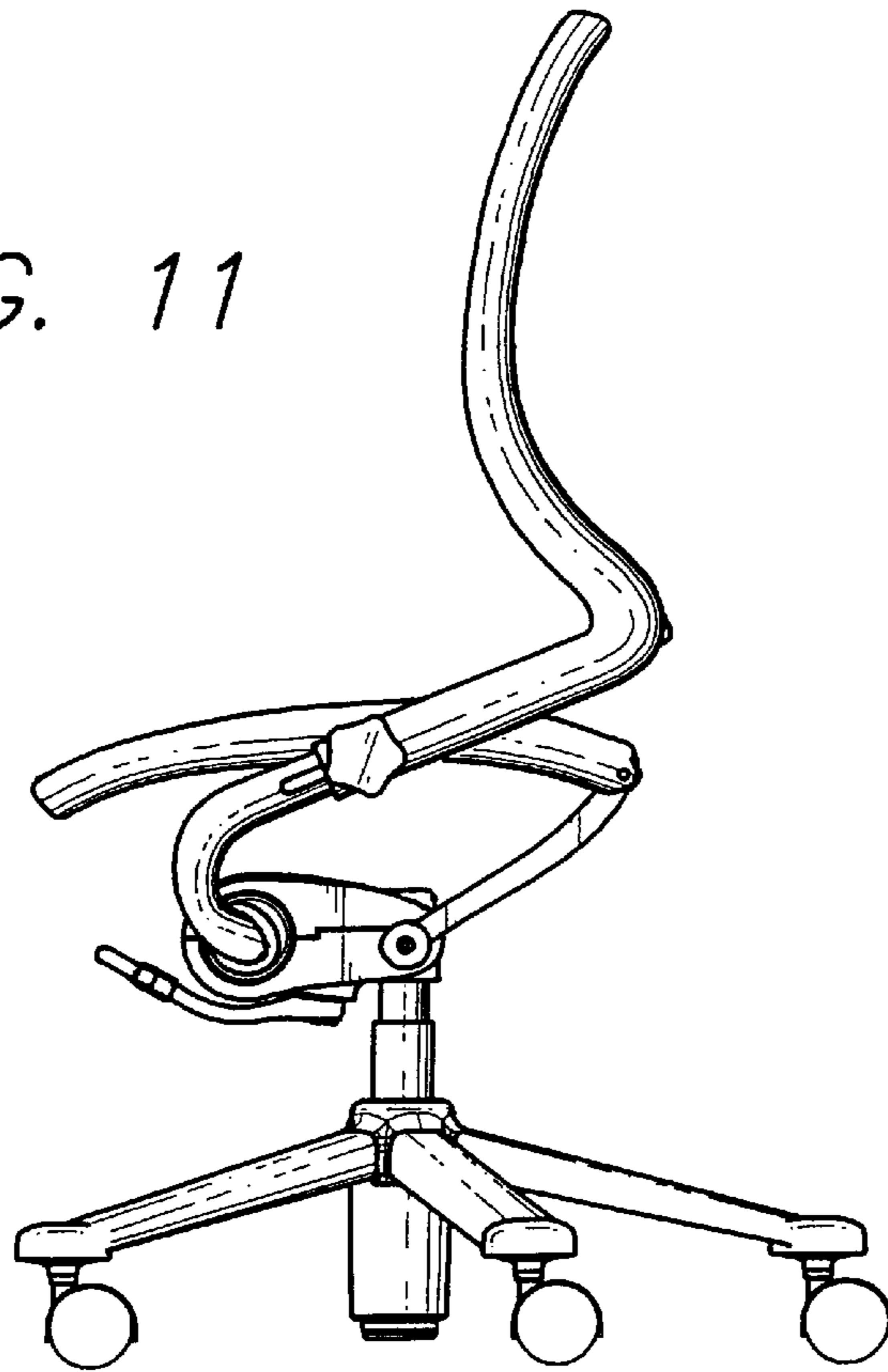


FIG. 10





*FIG. 11*



*FIG. 12*

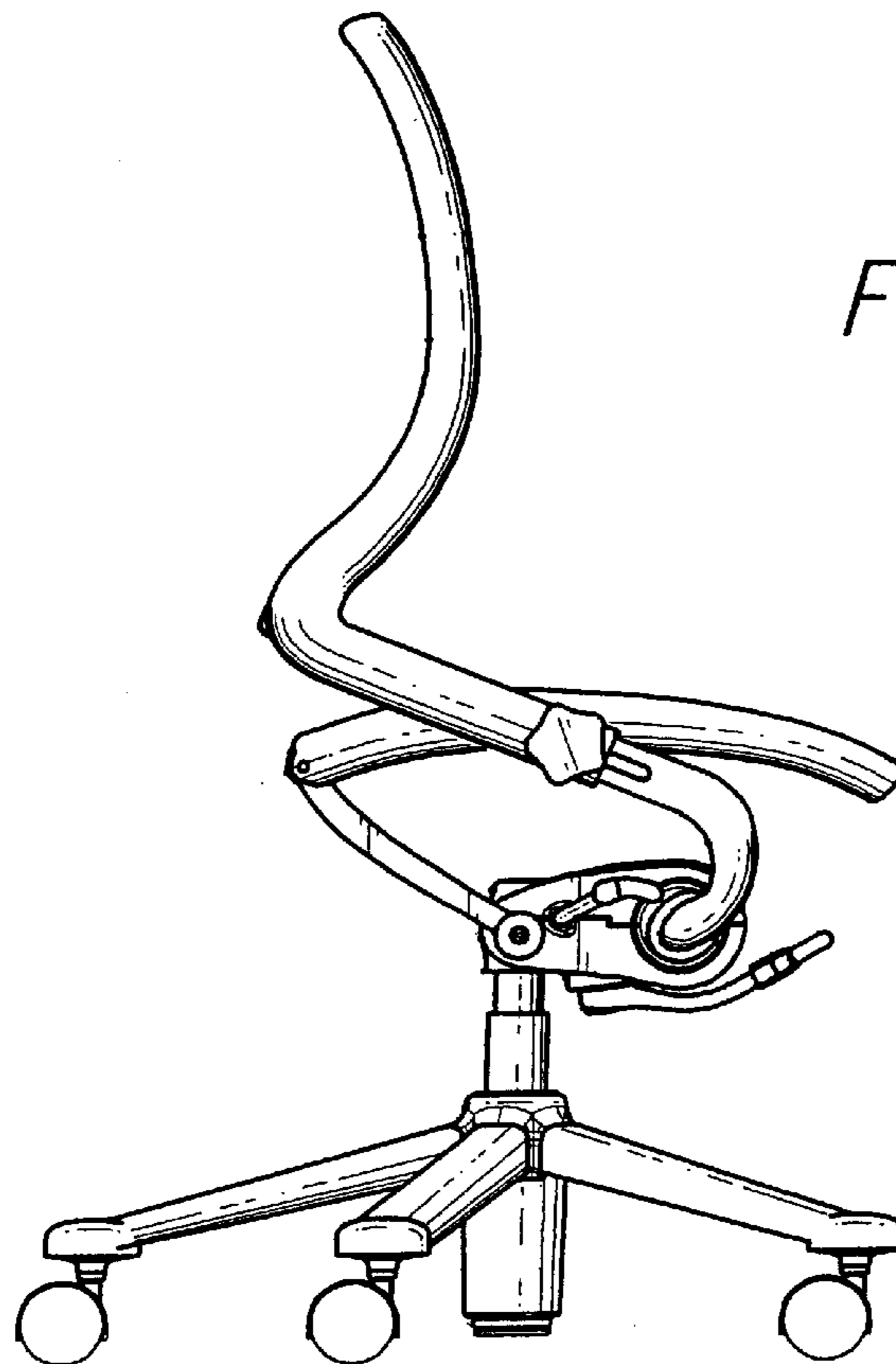


FIG. 13

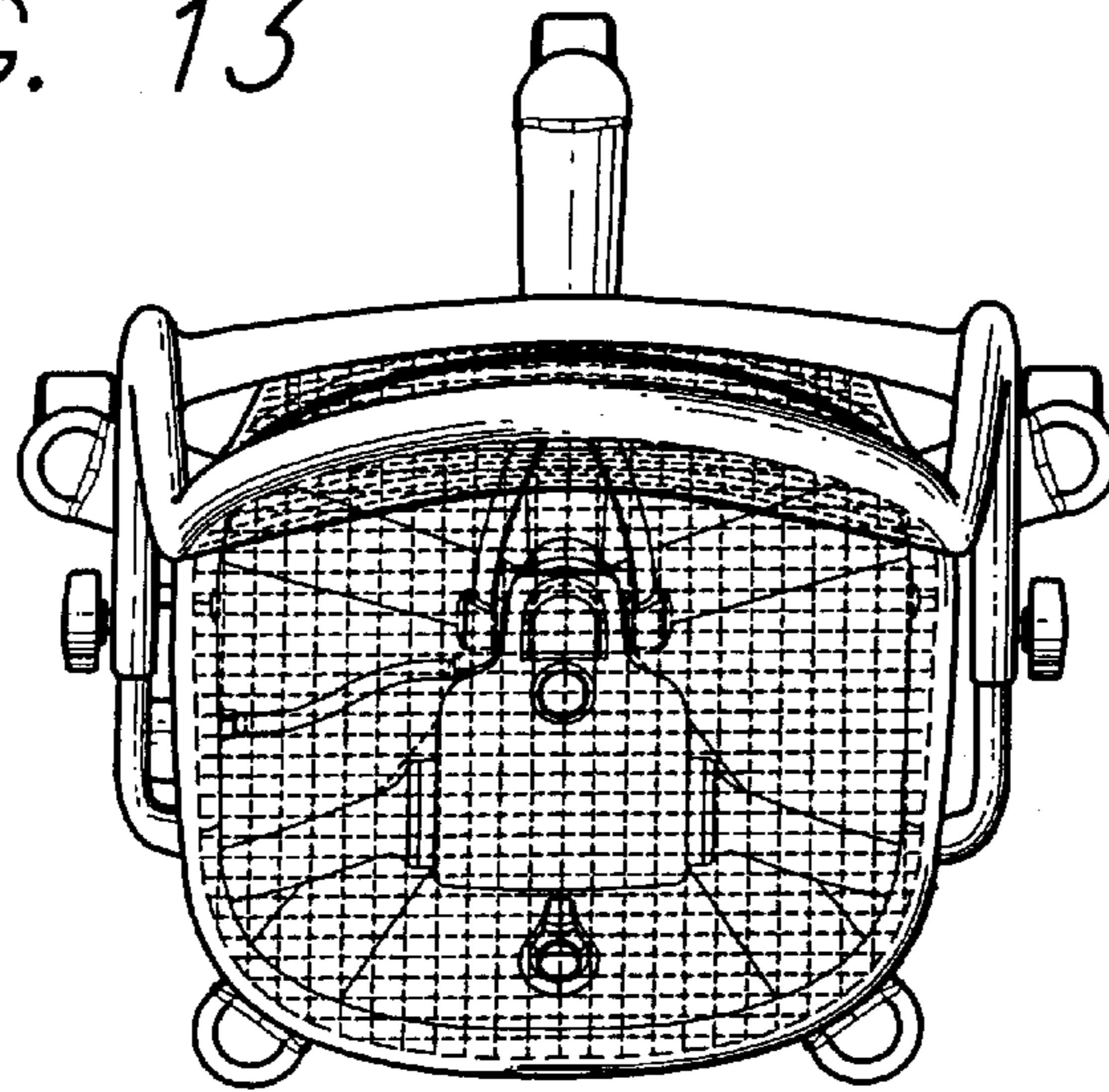


FIG. 14

