



US00D510198S

(12) **United States Design Patent** (10) **Patent No.:** **US D510,198 S**
Willardson (45) **Date of Patent:** **** Oct. 4, 2005**

(54) **APPAREL DESIGNATOR**
 (75) Inventor: **Donald J. Willardson**, Lindon, UT (US)
 (73) Assignee: **DBW Marketing, Inc.**, Provo, UT (US)
 (**) Term: **14 Years**
 (21) Appl. No.: **29/214,841**
 (22) Filed: **Oct. 7, 2004**
 (51) **LOC (8) Cl.** **06-08**
 (52) **U.S. Cl.** **D6/328**
 (58) **Field of Search** D6/328, 315, 323, D6/325; D8/395; D32/64; D20/22, 27, 28, 42; 40/322; 223/85, 88, 90, 91, 93, 96; D21/797; 141/110; 206/284, 287, 524.1

1,439,250 A 12/1922 MacDowell
 1,445,202 A 1/1923 Colby
 1,447,083 A 2/1923 Jonas
 1,508,523 A 9/1924 Naterman
 1,513,869 A 11/1924 Sparer et al.
 1,520,958 A 12/1924 Mock
 1,546,992 A 7/1925 Oppman
 1,575,775 A 3/1926 Lesser
 1,576,028 A 3/1926 Bowen
 1,604,914 A 10/1926 Heebner
 1,634,377 A 7/1927 Montan et al.
 1,637,384 A 8/1927 Marlatt
 1,700,629 A 1/1929 Douglas
 1,710,296 A 4/1929 Clark
 1,738,724 A 12/1929 Perleth et al.
 1,742,378 A 1/1930 Boese
 1,745,942 A 2/1930 Miley
 1,765,306 A 6/1930 Harris
 1,833,388 A 11/1931 Carmack
 1,856,519 A 5/1932 Spears
 1,909,708 A 5/1933 Heuwirth
 2,099,596 A 11/1937 Bruening

(56) **References Cited**

U.S. PATENT DOCUMENTS

119,938 A 10/1871 Mellish
 143,024 A 9/1873 Mellish
 179,476 A 7/1876 Hearttgen
 593,234 A 11/1897 McBride
 679,462 A 7/1901 Kennedy et al.
 687,968 A * 12/1901 Reber 229/113
 719,597 A 2/1903 Lee
 890,474 A 6/1908 Wallin
 962,988 A 6/1910 Steinmeyer
 1,032,282 A 7/1912 Hay
 1,080,836 A 12/1913 Lake
 1,099,262 A 6/1914 Lewyt
 1,142,720 A 6/1915 McAuley
 D49,364 S 7/1916 Monaghan
 1,285,890 A 11/1918 Anderson
 1,318,041 A 10/1919 Anthony
 1,321,926 A 11/1919 Landry
 1,332,941 A 3/1920 Anderson
 1,348,952 A 8/1920 Landry
 1,369,170 A 2/1921 Gilbert et al.
 1,389,266 A 8/1921 Newton
 1,402,153 A 1/1922 Dusinberre
 1,434,712 A 11/1922 Launder

(Continued)

Primary Examiner—Nanda Bondade
Assistant Examiner—Shanda C. Hill
 (74) *Attorney, Agent, or Firm*—Lloyd W. Sadler

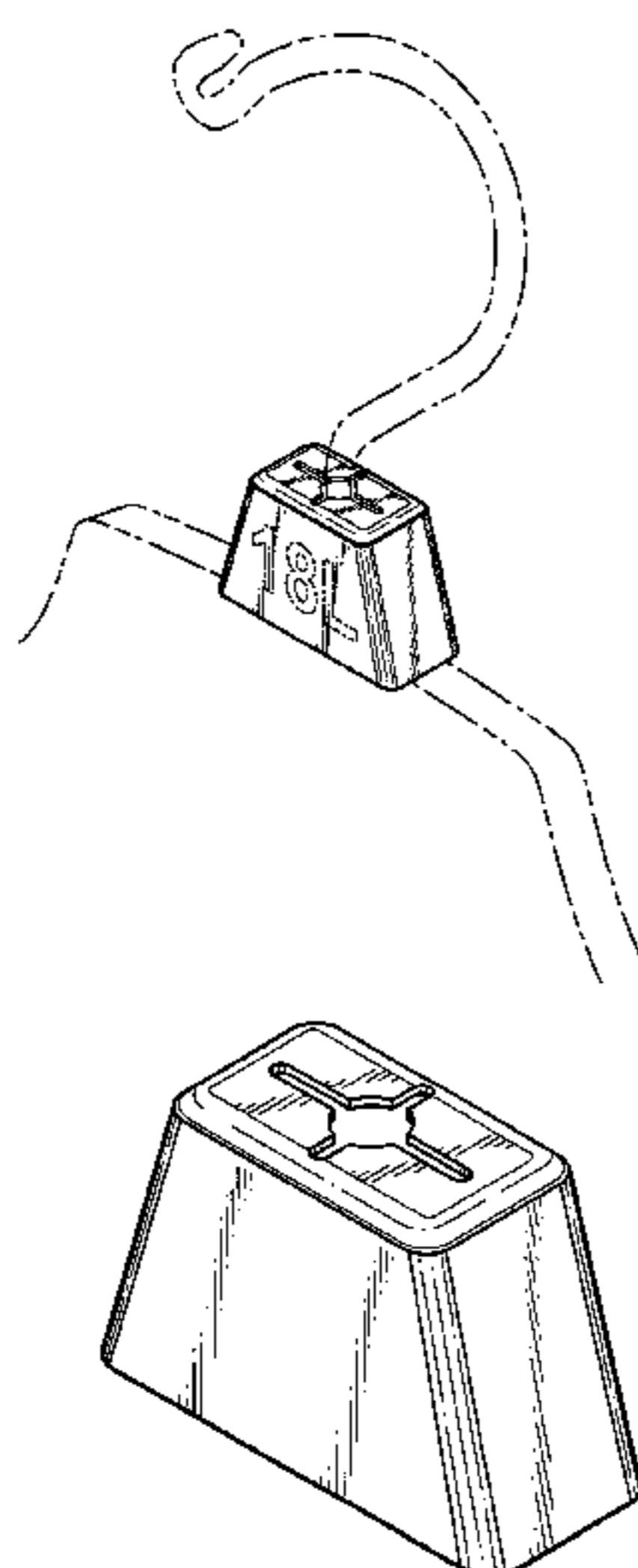
(57) **CLAIM**

The ornamental design for the apparel designator, as shown and described.

DESCRIPTION

FIG. 1 is a perspective view of an apparel designator; the broken lines shown are for illustrative purposes only and form no part of the claimed design.
 FIG. 2 is a perspective view of an apparel designator thereof;
 FIG. 3 is a front elevation view thereof;
 FIG. 4 is side elevation view thereof;
 FIG. 5 is a top plan view thereof; and,
 FIG. 6 is a bottom plan view thereof. the bottom plan view being the same as said top plan view.

1 Claim, 2 Drawing Sheets



US D510,198 S

U.S. PATENT DOCUMENTS					
2,156,533	A	5/1939 Vendope	3,382,594	A	5/1968 Volger
2,166,492	A	7/1939 Harvey	3,401,855	A	9/1968 Balzer et al.
2,211,559	A	8/1940 Erickson	3,406,882	A	10/1968 Phillips
2,232,028	A	2/1941 Isaak	3,409,224	A	11/1968 Harp et al.
2,235,870	A	3/1941 Dedmon	3,449,849	A	6/1969 Di Pasquale et al.
2,276,220	A *	3/1942 Veiller, Sr. 206/524.1	3,456,106	A	7/1969 Gluschkin
2,279,777	A	4/1942 Dean	3,460,508	A	8/1969 Baxter
2,284,903	A	6/1942 Illmer	3,463,369	A	8/1969 Moskowitz
2,288,071	A	6/1942 Cohen	3,464,605	A	9/1969 Apel
2,471,141	A	5/1949 Castelli	3,468,388	A	9/1969 Labore et al.
2,473,408	A	6/1949 Alkin	3,488,880	A	1/1970 Taylor
2,499,538	A	3/1950 Stanton	3,491,472	A	1/1970 Walldorf
D158,000	S	4/1950 Patrick	3,518,963	A	7/1970 Tucker
2,537,598	A	1/1951 Mason	3,535,808	A	10/1970 Morrish
2,543,350	A	2/1951 Bross	3,548,524	A	12/1970 Rohnow
2,556,461	A	6/1951 Baron	3,553,867	A	1/1971 Von Behren
2,583,020	A	1/1952 Smith	3,564,744	A	2/1971 Shook
2,594,228	A	4/1952 Smith	3,570,729	A	3/1971 Zuckerman
2,596,374	A	5/1952 Crapster	3,596,391	A	8/1971 Knight, Jr.
2,617,386	A	11/1952 Chin Kao et al.	3,604,134	A	9/1971 Clark
2,619,750	A	12/1952 Niessen	3,685,189	A	8/1972 Conger
2,658,627	A	11/1953 Magnuson	3,694,947	A	10/1972 Mukai et al.
2,671,938	A	3/1954 Roberts	3,706,147	A	12/1972 Glaser
2,690,863	A	10/1954 Adelman	3,738,549	A	6/1973 Driscoll
2,701,082	A	2/1955 Cohen	3,765,110	A	10/1973 Olsen
2,737,156	A	3/1956 Denver	3,766,882	A	10/1973 Babbitt, III
2,775,382	A	12/1956 Kayat	3,767,092	A	10/1973 Garrison et al.
2,777,619	A	1/1957 Cook	D229,148	S	11/1973 Rivman
2,781,895	A *	2/1957 Smith 206/287	D229,810	S	1/1974 Wahl
2,782,539	A	2/1957 Baker	3,790,044	A	2/1974 Verdile
2,801,036	A	7/1957 Klein	3,852,900	A	12/1974 Svec
2,825,162	A	3/1958 Flood	3,861,068	A	1/1975 Zygmunt
2,850,819	A	9/1958 Payne	D235,639	S	7/1975 Cohen
2,888,761	A	6/1959 Miller	3,896,980	A	7/1975 Campagnolo
2,895,657	A	7/1959 Laughton	3,898,754	A	8/1975 Johansson
2,903,807	A	9/1959 Brunengraber	3,924,738	A	12/1975 Poupitch
2,906,046	A	9/1959 Graves	3,928,930	A	12/1975 Attwooe
2,918,741	A	12/1959 Welter et al.	3,946,915	A	3/1976 Crane
2,931,657	A	4/1960 Lewis	3,949,914	A	4/1976 Ostroll
2,938,252	A	5/1960 Scheemaeker	3,950,829	A	4/1976 Cohen
2,949,886	A	8/1960 Tibbling	3,977,104	A	8/1976 Stupar
2,958,251	A	11/1960 Calabro	3,989,754	A	11/1976 Hurlock
2,967,366	A	1/1961 Colbert	3,991,499	A	11/1976 Otuki
2,975,538	A	3/1961 Murfin	4,006,547	A	2/1977 Samuels et al.
2,991,919	A	7/1961 Zuckerman	4,010,879	A	3/1977 George et al.
3,024,953	A	3/1962 O'Keefe	4,017,990	A	4/1977 Garrison
D192,845	S	5/1962 Cohen	4,019,269	A	4/1977 Vix
3,048,311	A	8/1962 Neuenfeldt	D244,197	S	5/1977 Ostroll
3,067,534	A	12/1962 Paxton	4,021,953	A	5/1977 Couch
3,070,270	A	12/1962 Campagnolo	4,040,545	A	8/1977 Hill
3,076,242	A	2/1963 Priolo	D245,748	S	9/1977 Ostroll
3,077,981	A	2/1963 Gaspard	4,045,899	A	9/1977 Richardson
3,112,050	A	11/1963 Eason	4,101,059	A	7/1978 Batts et al.
3,120,913	A	2/1964 Glowka	D249,619	S	9/1978 Wolff
3,126,648	A	3/1964 Strong et al.	4,115,940	A	9/1978 Phillips
3,140,519	A	7/1964 Johnson	4,123,864	A	11/1978 Batts et al.
D204,039	S	3/1966 Phillips et al.	4,137,661	A	2/1979 Johansson
3,240,462	A	3/1966 Schneider	4,148,421	A	4/1979 Levitt
3,259,153	A *	7/1966 Haase 141/110	4,160,333	A	7/1979 Indelicato
3,270,872	A	9/1966 Paxton	4,177,591	A	12/1979 Thompson et al.
3,281,978	A	11/1966 Drugan et al.	4,182,059	A	1/1980 Greene
3,287,841	A	11/1966 Spragg et al.	4,196,535	A	4/1980 Heimo
3,293,787	A	12/1966 McMahan	4,198,773	A	4/1980 Batts et al.
3,294,138	A	12/1966 Pawly	4,224,894	A	9/1980 Haldemann
3,301,447	A	1/1967 Felton	4,268,786	A	5/1981 Rohrl
3,327,419	A	6/1967 Stanos	4,322,902	A	4/1982 Lenthall
3,327,912	A	6/1967 Blair	D264,912	S	6/1982 Bliss et al.
3,358,396	A	12/1967 Prince	4,333,590	A	6/1982 Princiotta
3,365,820	A	1/1968 Connell	4,395,799	A	8/1983 Batts
3,374,911	A	3/1968 White	4,416,425	A	11/1983 Kish
			4,450,639	A	5/1984 Duester

US D510,198 S

Page 3

4,558,527 A	12/1985	Schroedel et al.	5,199,608 A	4/1993	Zuckeman	
D282,982 S	3/1986	Kodet	5,499,466 A *	3/1996	House	40/322
4,623,079 A	11/1986	Tendrup et al.	5,586,697 A	12/1996	Johansson	
4,629,102 A	12/1986	Tendrup et al.	D393,371 S *	4/1998	Dunn	D6/328
4,638,930 A	1/1987	Blanchard	D421,683 S	3/2000	Willardson	
4,679,340 A	7/1987	Johansson	D421,848 S	3/2000	Willardson	
4,718,581 A	1/1988	Chiaramonte	D421,849 S	3/2000	Willardson	
4,736,538 A	4/1988	Pierce et al.	D421,850 S	3/2000	Willardson	
4,756,104 A	7/1988	Bailey	D422,153 S	4/2000	Willardson	
D299,593 S	1/1989	Blanchard	D423,798 S	5/2000	Willardson	
4,863,078 A	9/1989	Bengsch	D424,818 S	5/2000	Willardson	
4,886,195 A	12/1989	Blanchard	D425,710 S	5/2000	Willardson	
4,897,900 A	2/1990	Baggett	D430,410 S	9/2000	Willardson	
4,909,178 A	3/1990	Le Brocq	D441,823 S *	5/2001	Blackhurst	D21/797
4,967,500 A	11/1990	Bredeweg	D445,836 S	7/2001	Willardson	
4,997,114 A	3/1991	Petrou	2002/0071920 A1 *	6/2002	Obeshaw	428/34.1
5,056,248 A	10/1991	Blachard				
5,096,101 A	3/1992	Norman et al.				
5,135,141 A	8/1992	Harmer et al.				

* cited by examiner

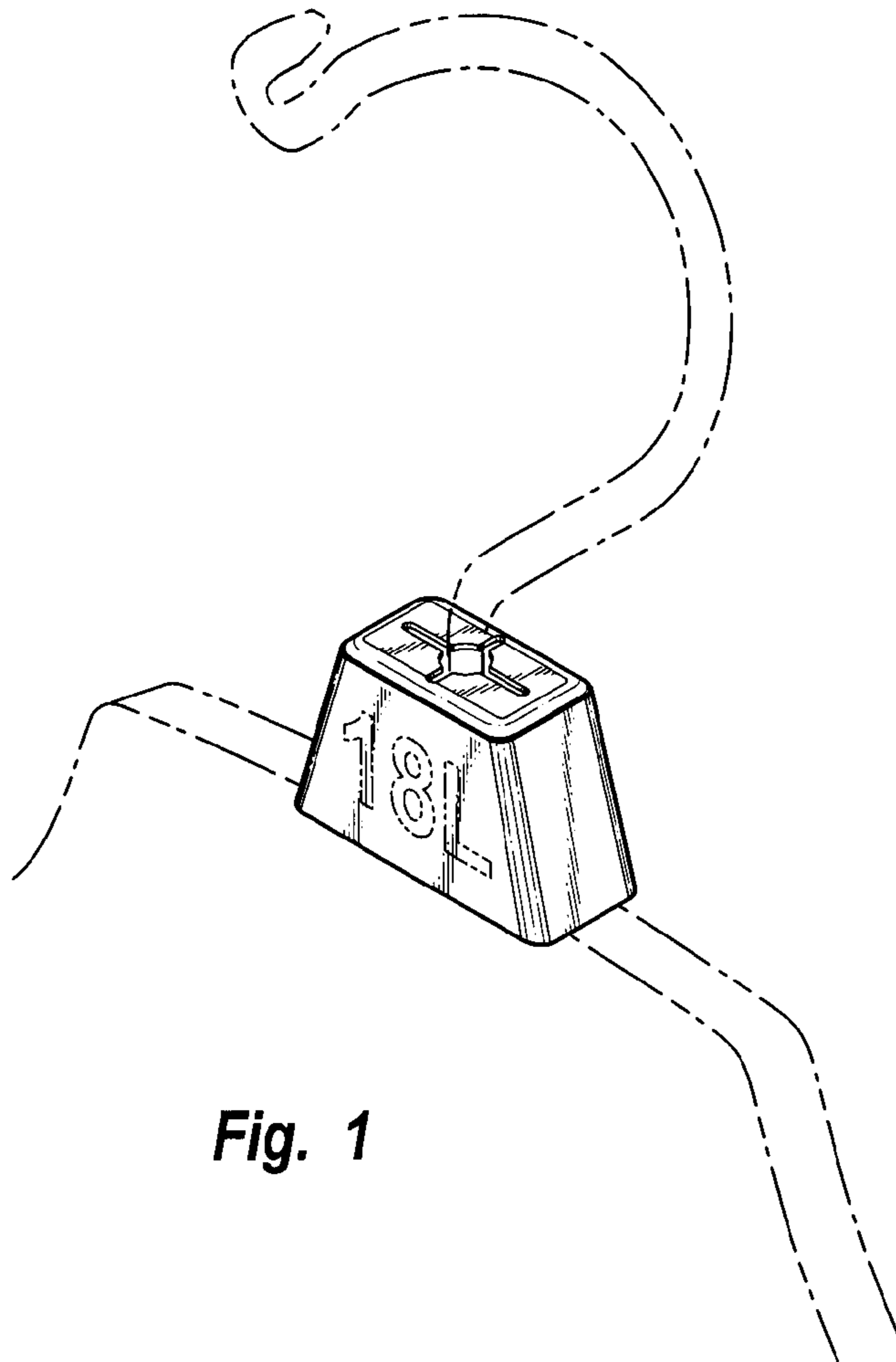


Fig. 1

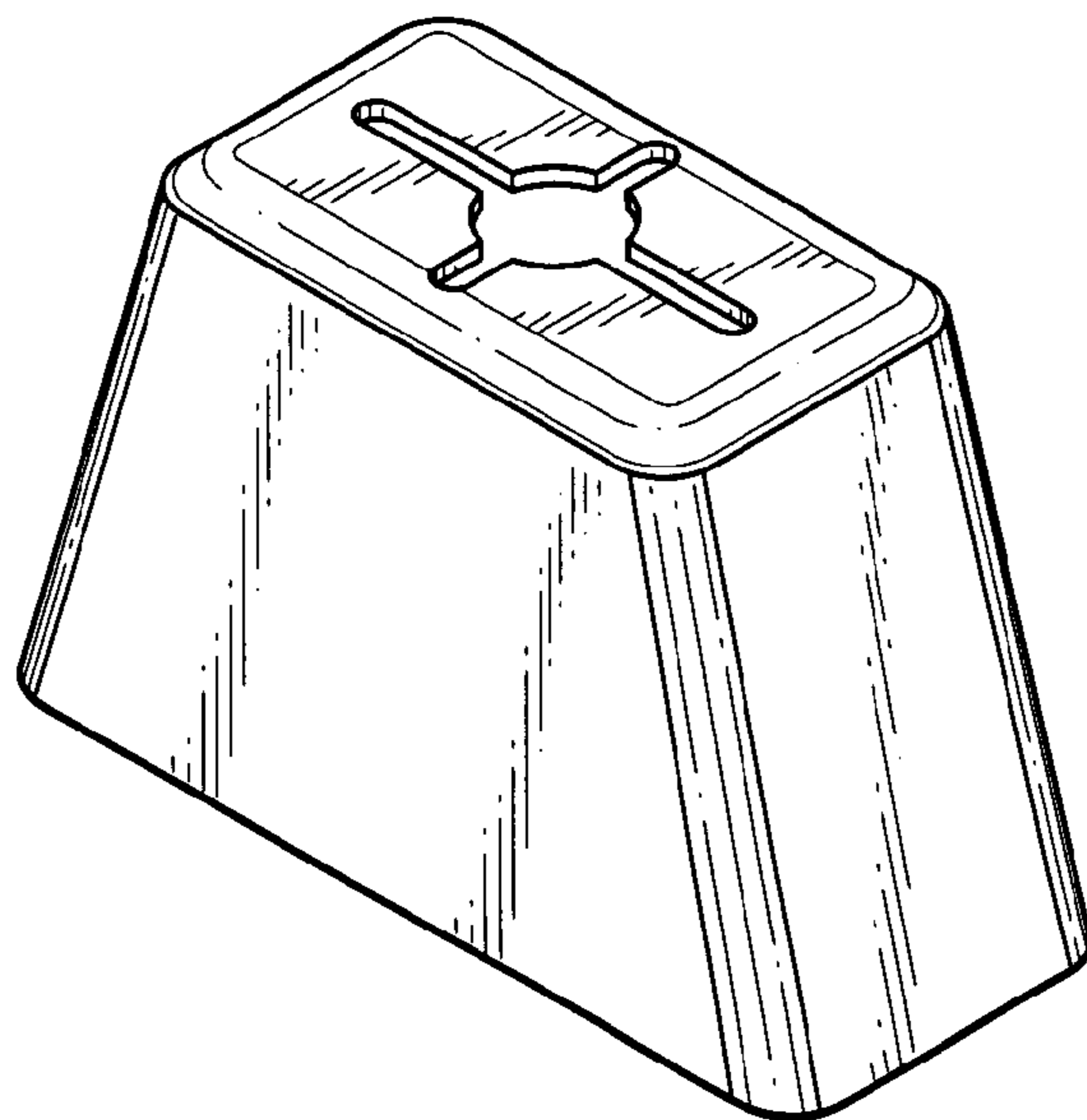


Fig. 2

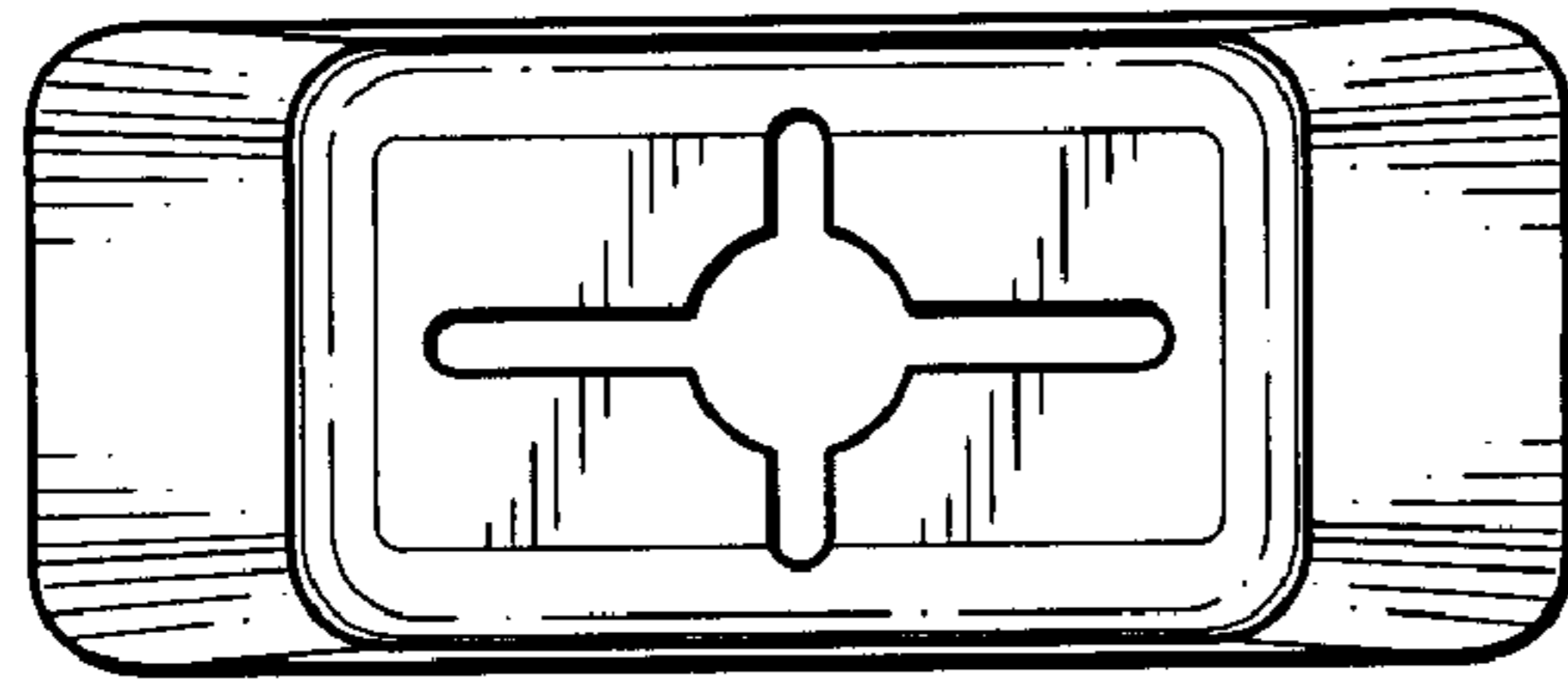


Fig. 5

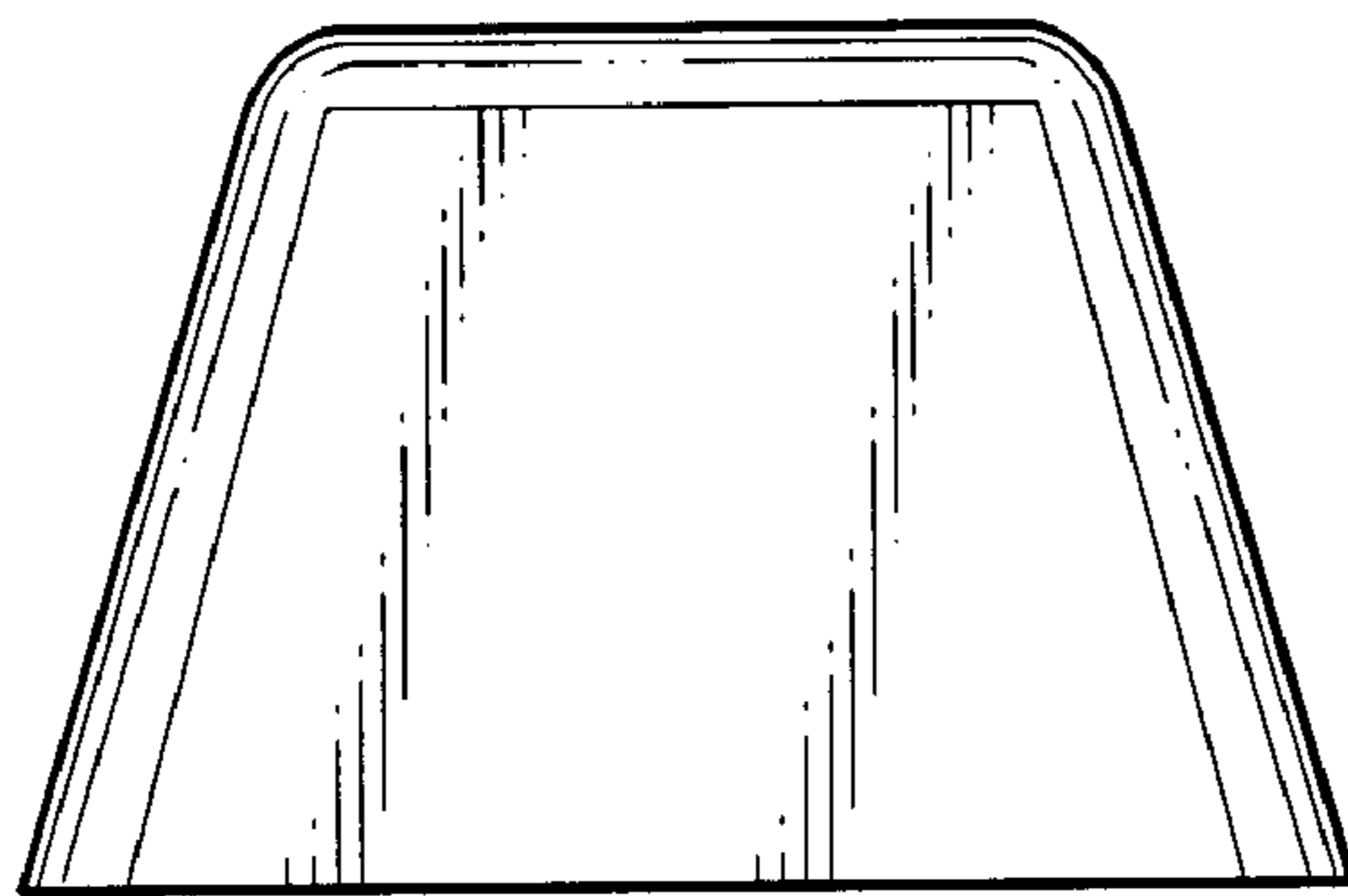


Fig. 3

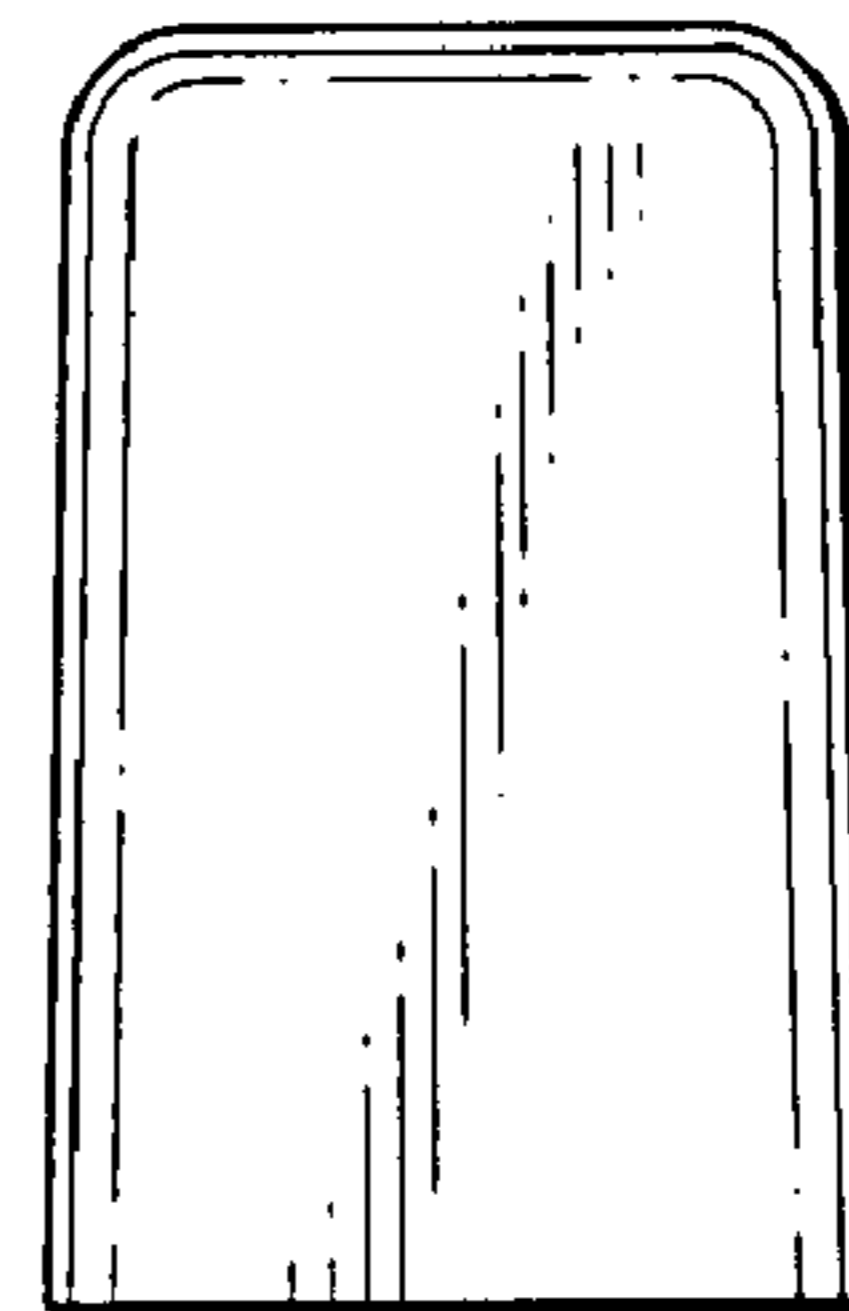


Fig. 4

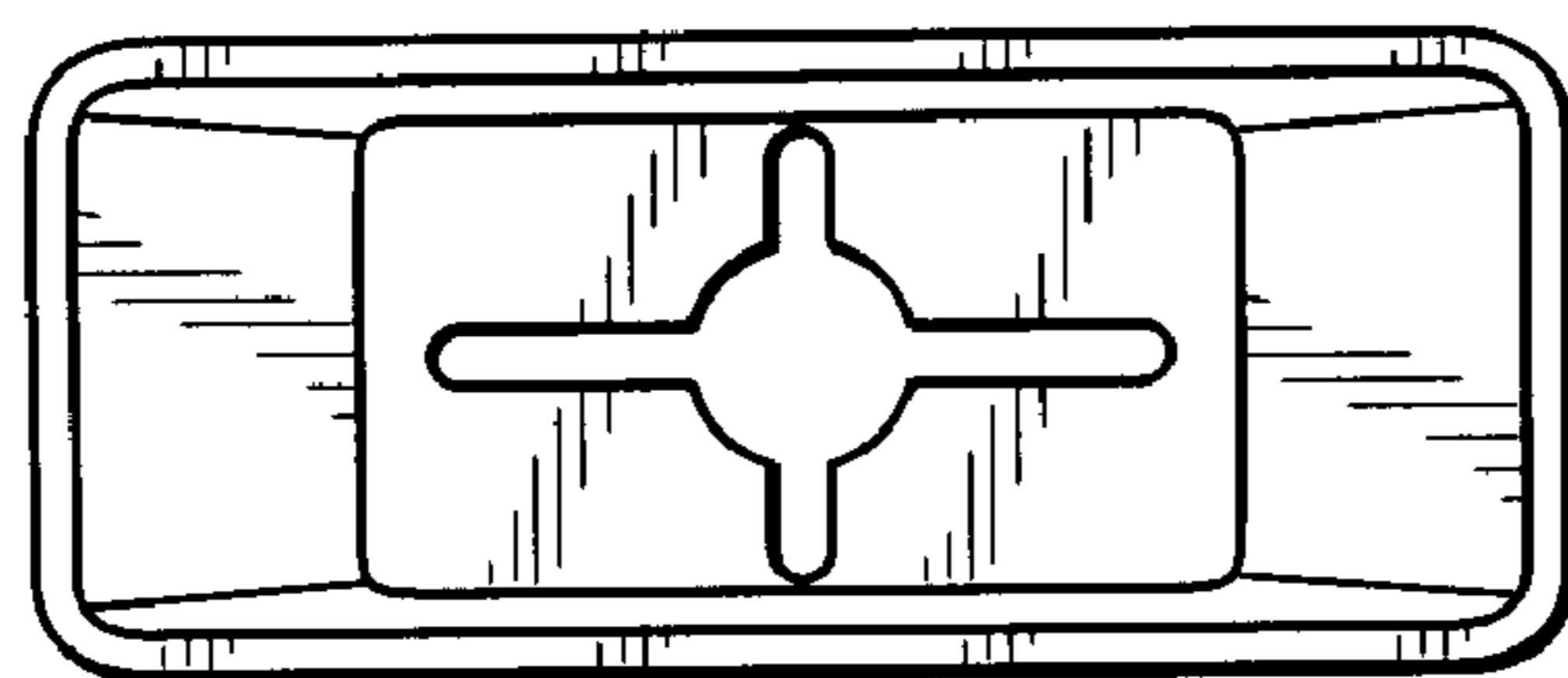


Fig. 6