



US00D510188S

(12) **United States Design Patent**
Cunningham

(10) **Patent No.:** **US D510,188 S**

(45) **Date of Patent:** **** Oct. 4, 2005**

(54) **DIAPER BAG**

(76) **Inventor:** **Deirdre L. Cunningham**, 12523 S.
Union, Chicago, IL (US) 60628

(**) **Term:** **14 Years**

(21) **Appl. No.:** **29/205,636**

(22) **Filed:** **May 19, 2004**

(51) **LOC (8) Cl.** **03-01**

(52) **U.S. Cl.** **D3/287; D3/285**

(58) **Field of Search** D3/232, 233, 273,
D3/276, 283, 284, 285, 287, 289; 190/109,
110, 111; 383/38, 40, 23, 4, 6, 97; 224/264;
150/106, 107, 117; 206/581

(56) **References Cited**

U.S. PATENT DOCUMENTS

4,566,130 A	1/1986	Coates	
D293,508 S	* 1/1988	Marconi	D3/243
D326,188 S	* 5/1992	Thomas	D3/243
D326,772 S	* 6/1992	Kennedy	D3/233
D346,693 S	* 5/1994	Saltzman et al.	D3/283
5,439,154 A	8/1995	Delligatti	
D379,267 S	* 5/1997	Roegner	D3/285
D381,201 S	* 7/1997	Miller et al.	D3/287

5,743,649 A	4/1998	Gonzalez	
5,826,714 A	10/1998	Martin	
5,961,216 A	10/1999	Quinn et al.	
D416,677 S	11/1999	Christman	
D419,763 S	* 2/2000	Wiebe	D3/233
6,298,509 B1	10/2001	Vickers	
6,298,993 B1	10/2001	Kalozdi	

* cited by examiner

Primary Examiner—Philip S. Hyder

(57) **CLAIM**

The ornamental design for a diaper bag, as shown and described.

DESCRIPTION

FIG. 1 is a diaper bag shown in a perspective view in a closed condition;
 FIG. 2 is a diaper bag shown in a perspective view in an open condition;
 FIG. 3 is a top plan view thereof;
 FIG. 4 is a bottom plan view thereof;
 FIG. 5 is a side elevational view thereof; the opposite side being a mirror image;
 FIG. 6 is a front elevational view; and,
 FIG. 7 is a rear side elevational view thereof.

1 Claim, 4 Drawing Sheets

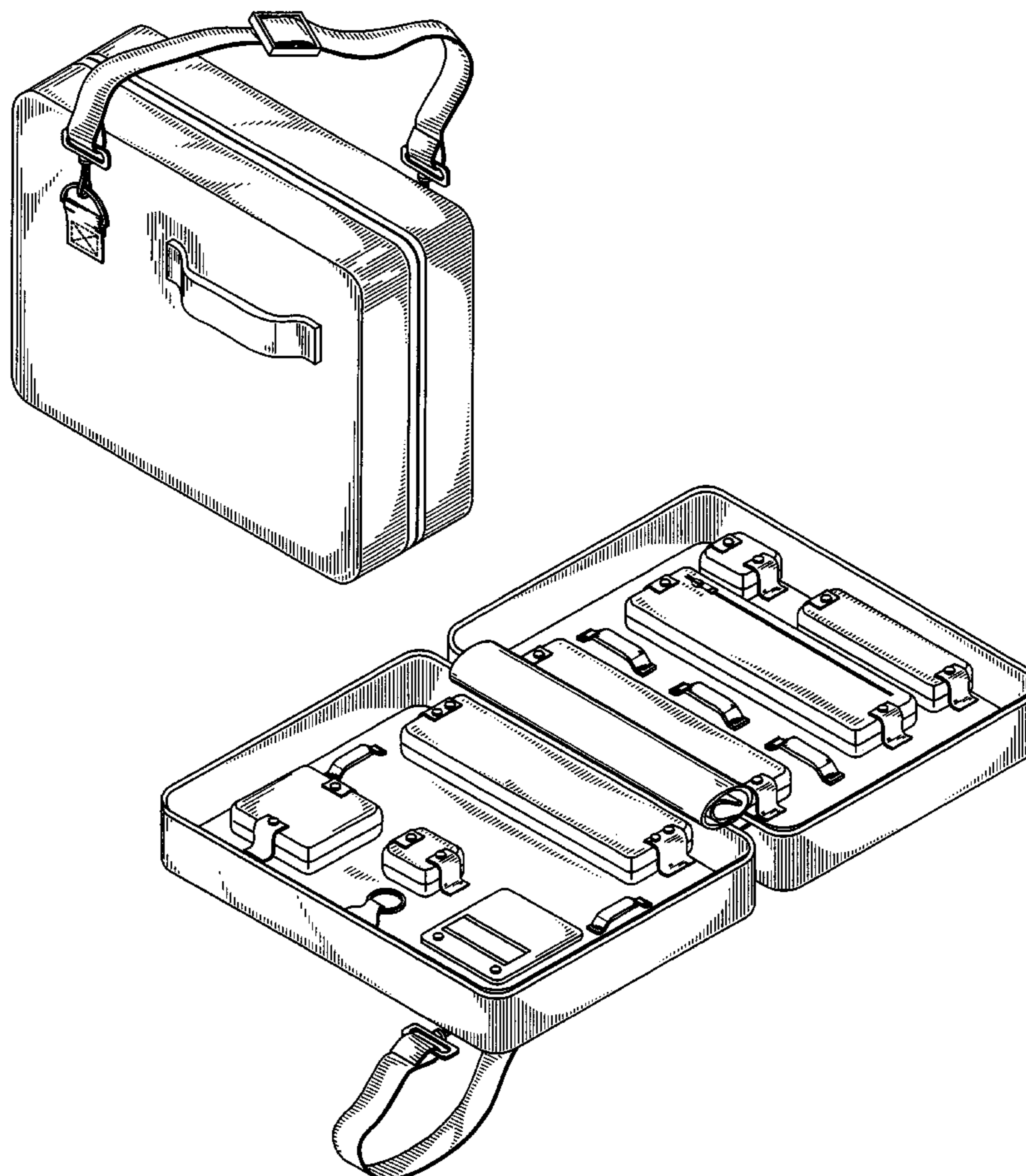




Fig. 1

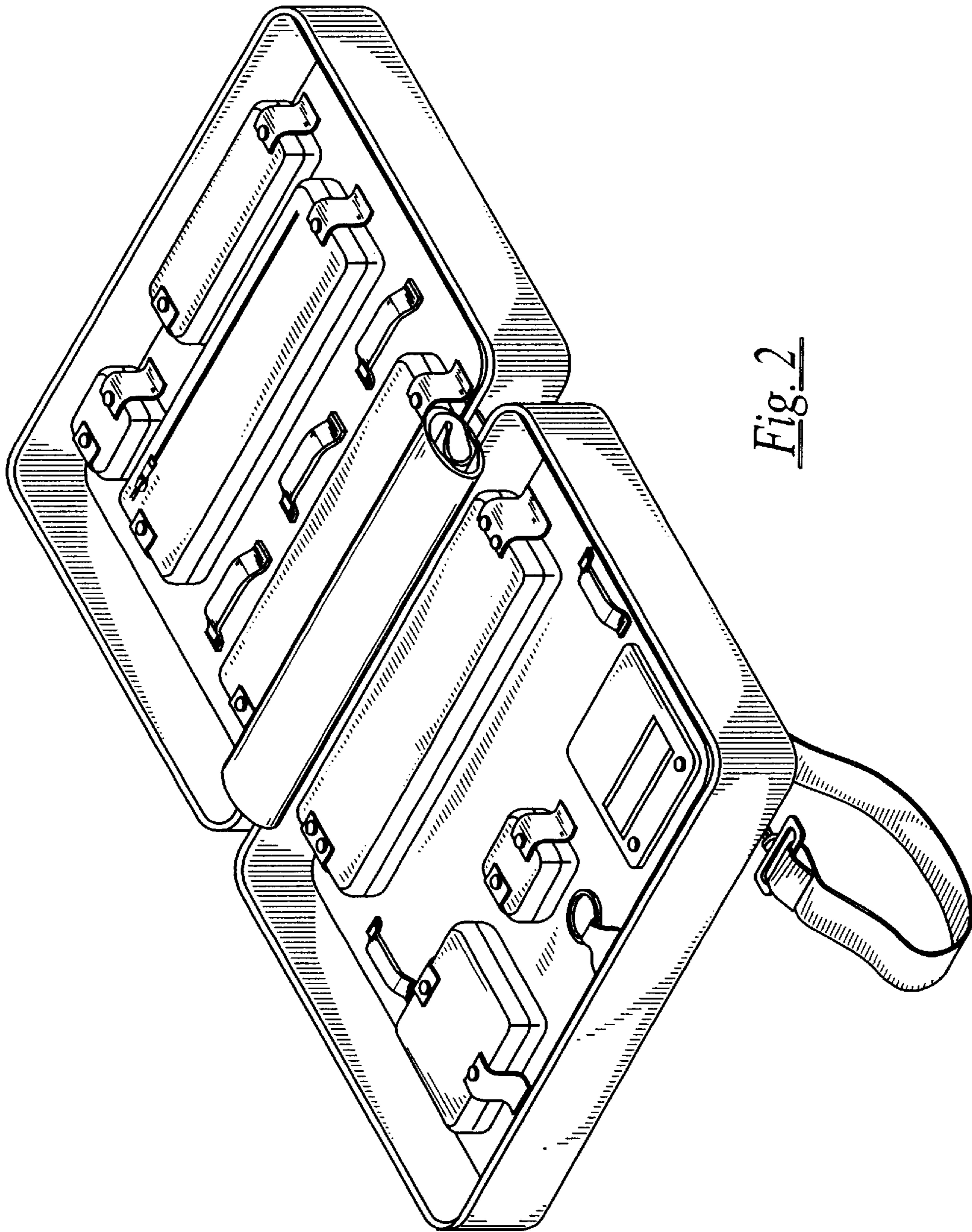


Fig. 2

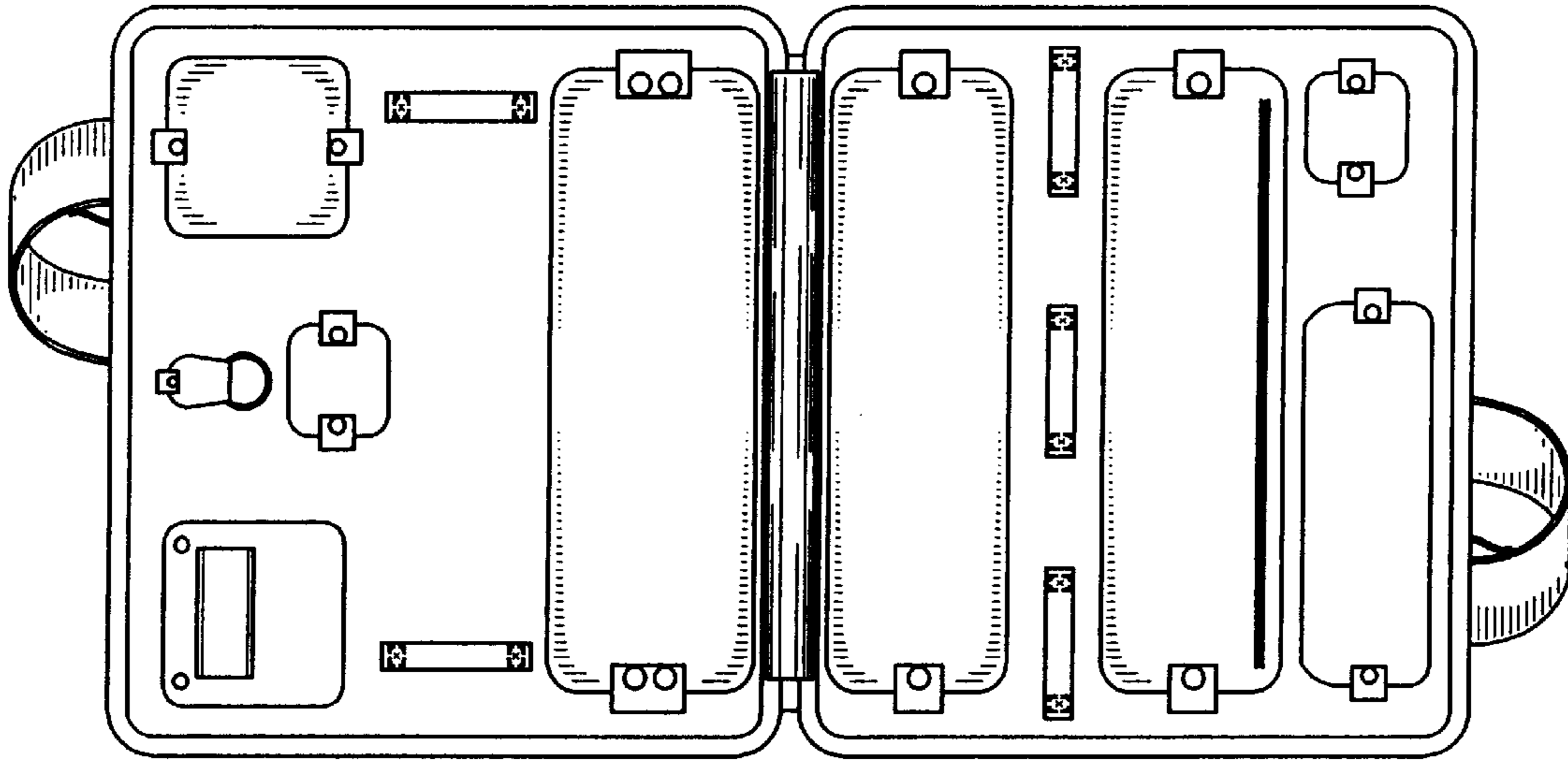


Fig. 3

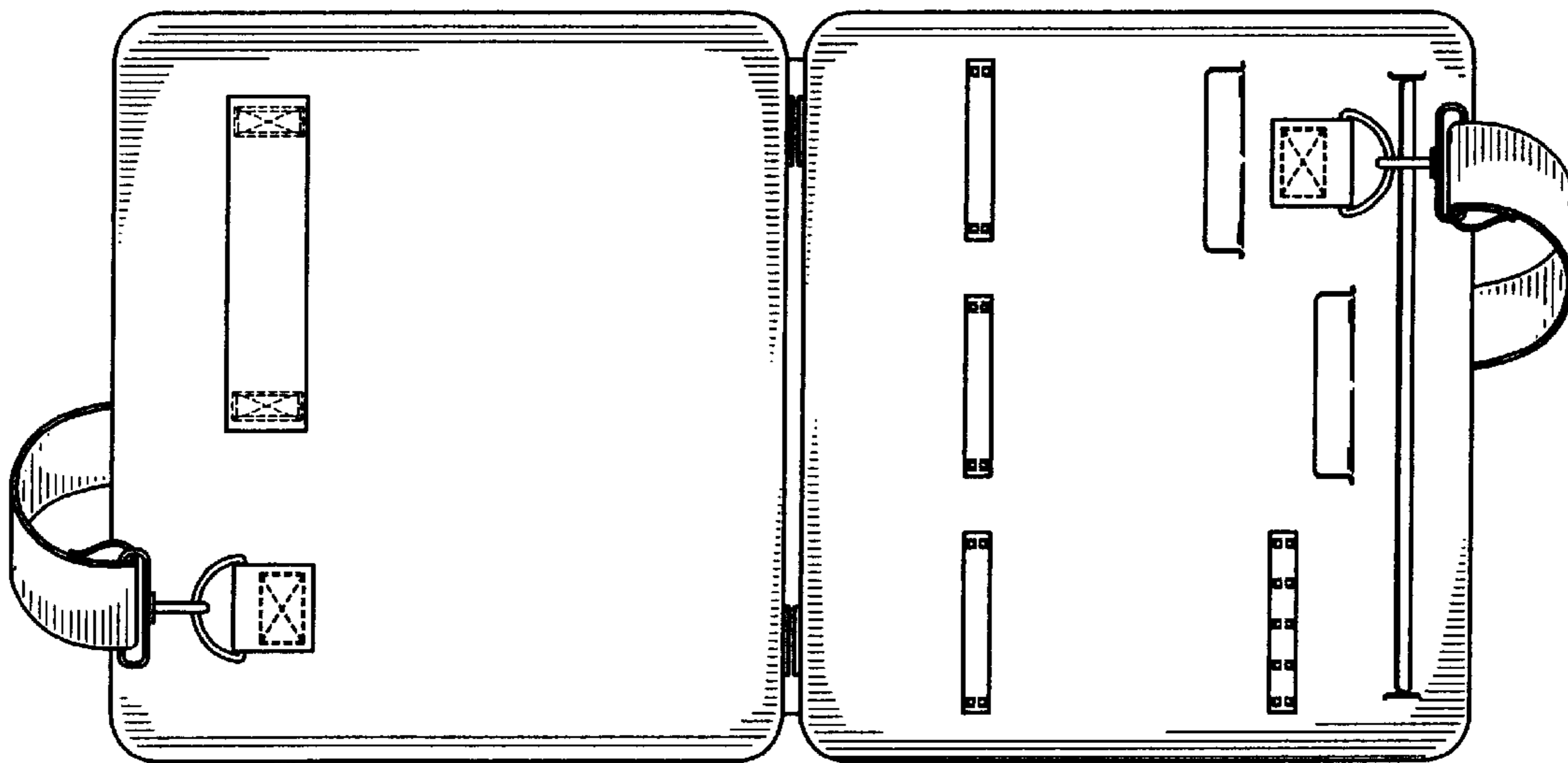


Fig. 4

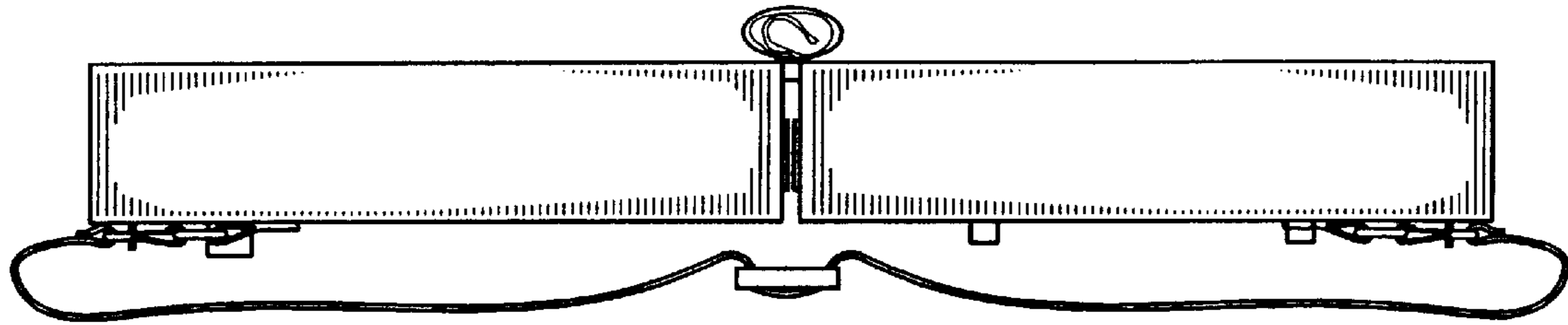


Fig. 5

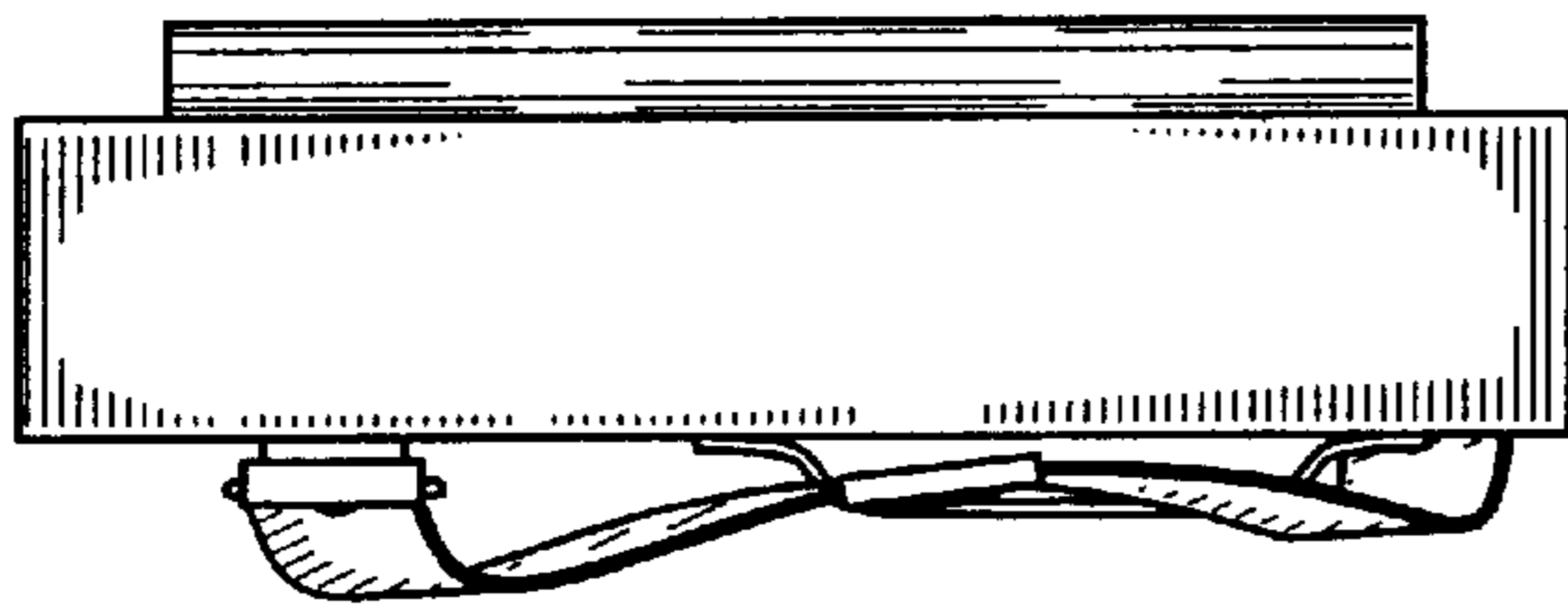


Fig. 6

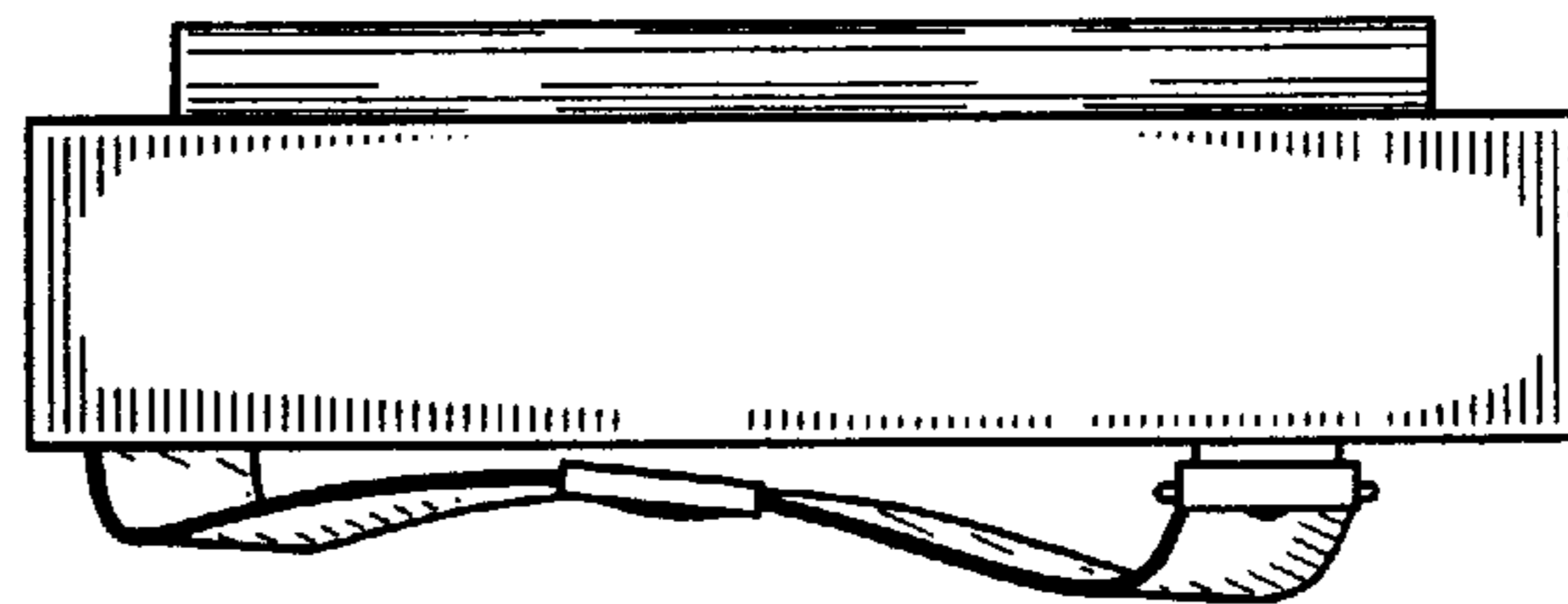


Fig. 7