



US00D510187S

(12) **United States Design Patent** (10) **Patent No.:** **US D510,187 S**
Chan (45) **Date of Patent:** **** Oct. 4, 2005**

(54) **NAME CARD HOLDER**
 (75) Inventor: **Sik-Leung Chan**, New Territories (CN)
 (73) Assignee: **C. C. & L Company Limited**, Hong Kong (CN)
 (**) Term: **14 Years**

4,863,034 A * 9/1989 Contreras, Sr. 206/37
 D388,605 S * 1/1998 Callahan et al. D3/201
 D439,042 S * 3/2001 Lau D3/247
 6,286,667 B1 * 9/2001 Lee 206/38
 2004/0231941 A1 * 11/2004 Van Hoyo et al. 190/124

* cited by examiner

(21) Appl. No.: **29/217,490**
 (22) Filed: **Nov. 18, 2004**

Primary Examiner—Louis S. Zarfaz
Assistant Examiner—Monica A. Weingart
 (74) *Attorney, Agent, or Firm*—Alix, Yale & Ristas, LLP

(30) **Foreign Application Priority Data**

May 24, 2004 (HK) 0411160

(51) **LOC (8) Cl.** **03-01**
 (52) **U.S. Cl.** **D3/247**
 (58) **Field of Search** D3/201, 247, 248,
 D3/249, 250, 251, 252, 263; 150/129, 131,
 132, 133, 135, 138, 140, 145, 147, 901;
 190/124, 125, 126, 127, 903; 383/907;
 D19/1, 90; 40/1.5, 1.6, 586, 587, 564.01,
 663; 116/200, 321; 206/37, 38, 39, 39.5,
 39.6, 39.7, 805; 229/67.1, 67.2, 72; 224/182,
 219, 220, 221, 227, 236, 660, 623; 340/568.1,
 568.7

(57) **CLAIM**

The ornamental design for a name card holder, as shown and described.

DESCRIPTION

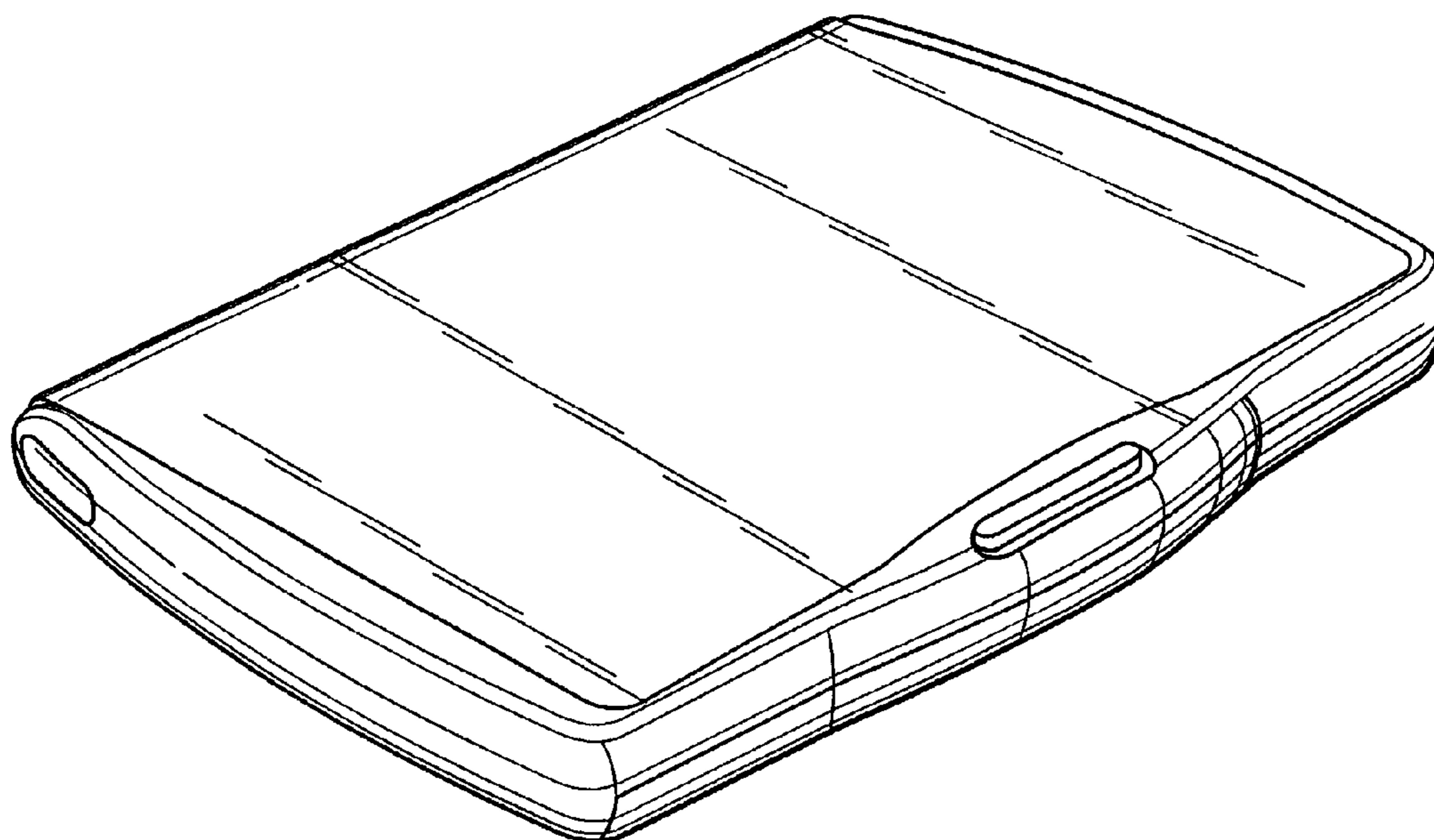
FIG. 1 is a front perspective view of a name card holder showing my new design;
 FIG. 2 is a front elevational view thereof;
 FIG. 3 is a top plan view thereof;
 FIG. 4 is a rear elevational view thereof;
 FIG. 5 is a bottom plan view thereof;
 FIG. 6 is a left side elevational view thereof; and,
 FIG. 7 is a right side elevational view thereof.

(56) **References Cited**

U.S. PATENT DOCUMENTS

2,604,205 A * 7/1952 Patterson 206/37

1 Claim, 4 Drawing Sheets



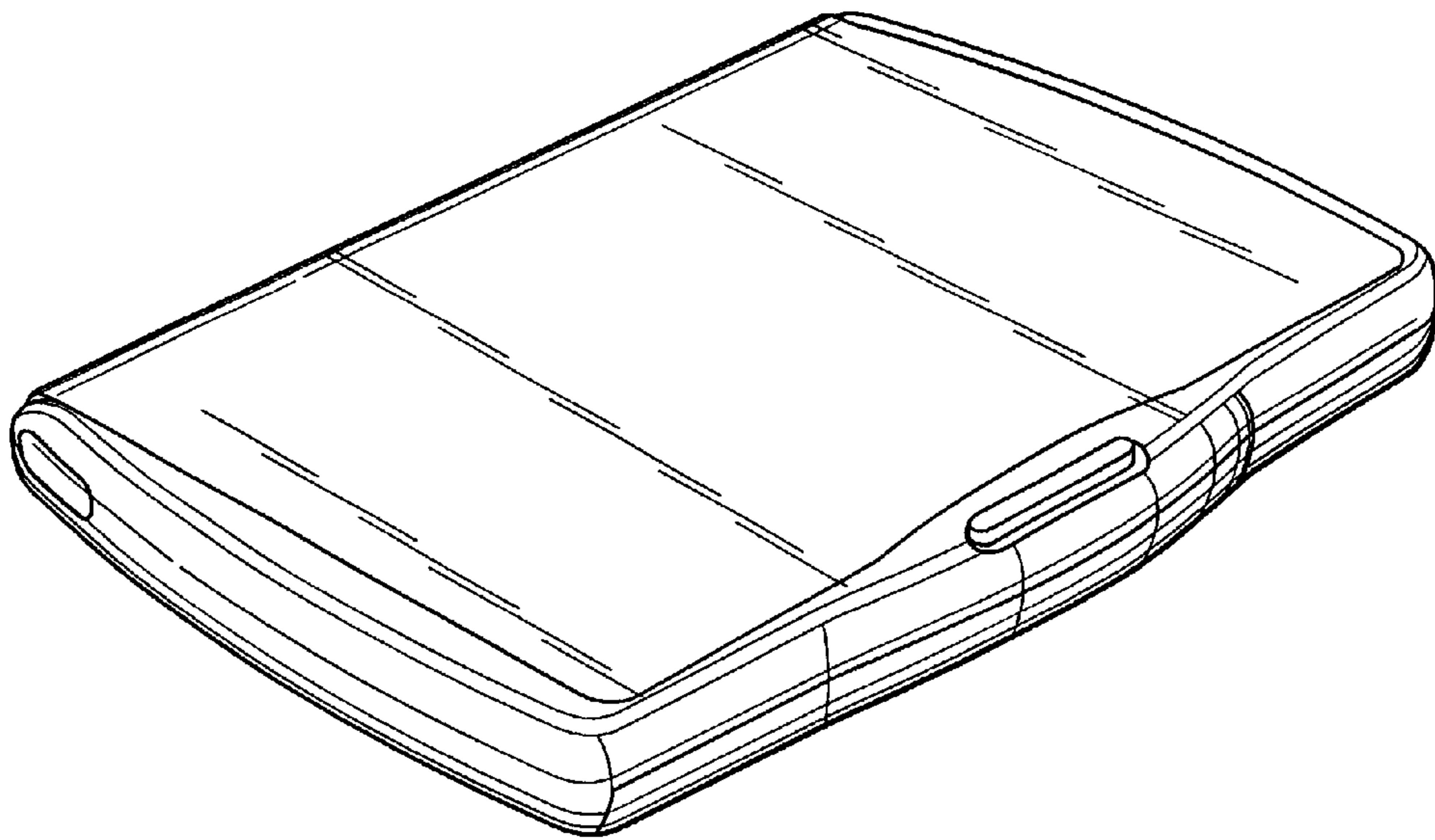


FIG. 1

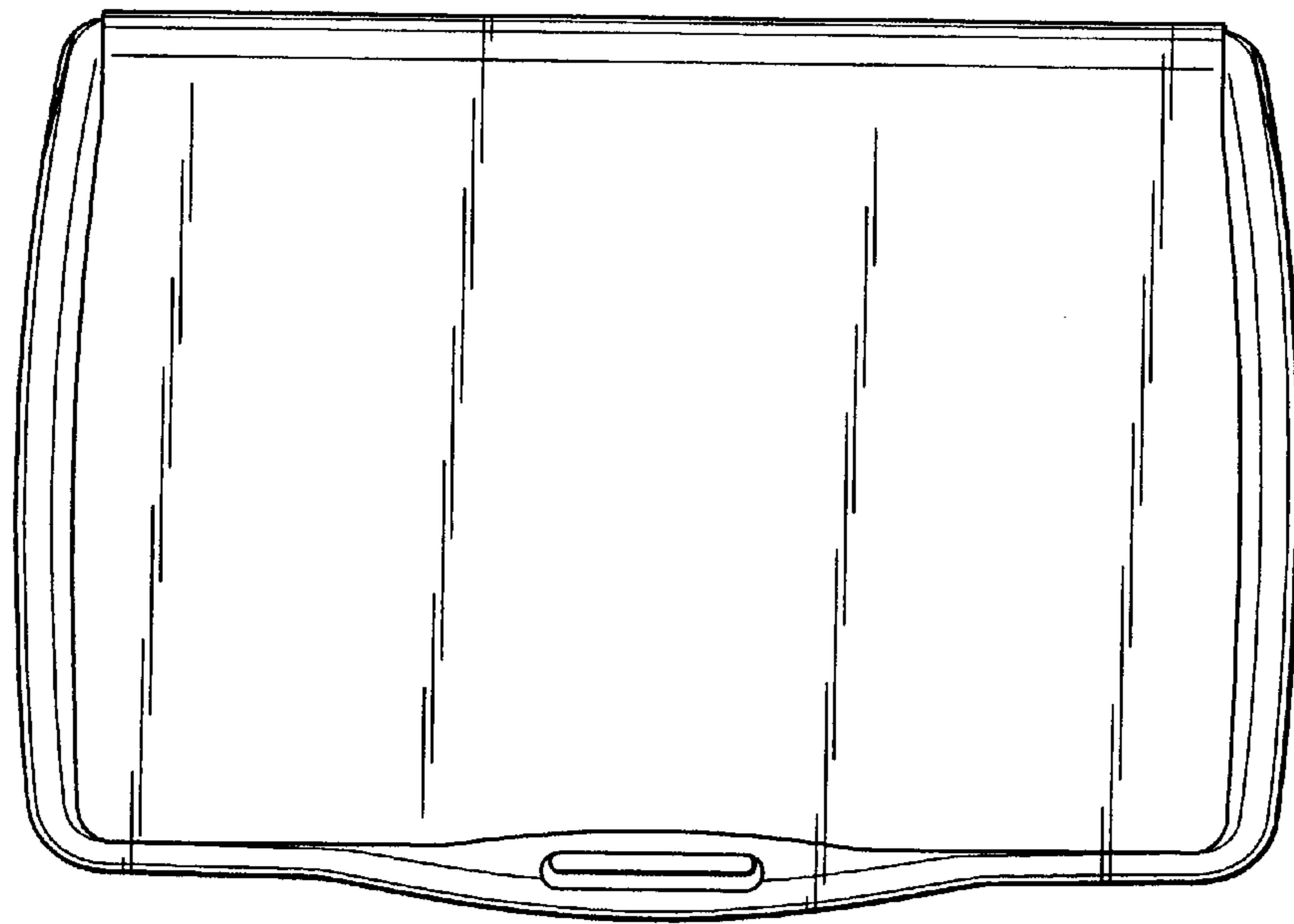


FIG. 3

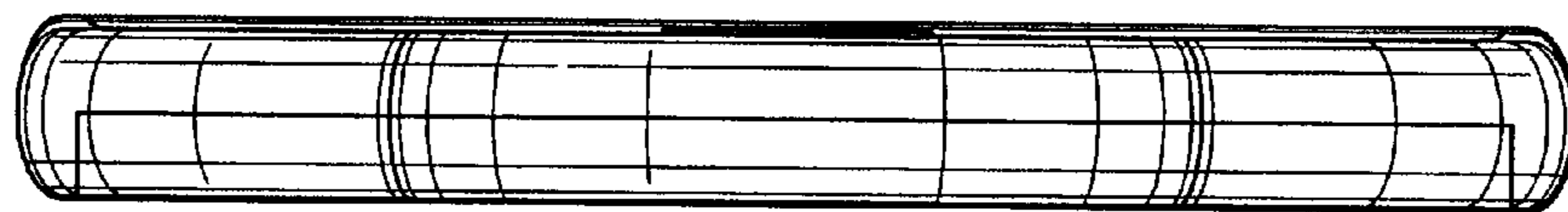


FIG. 2

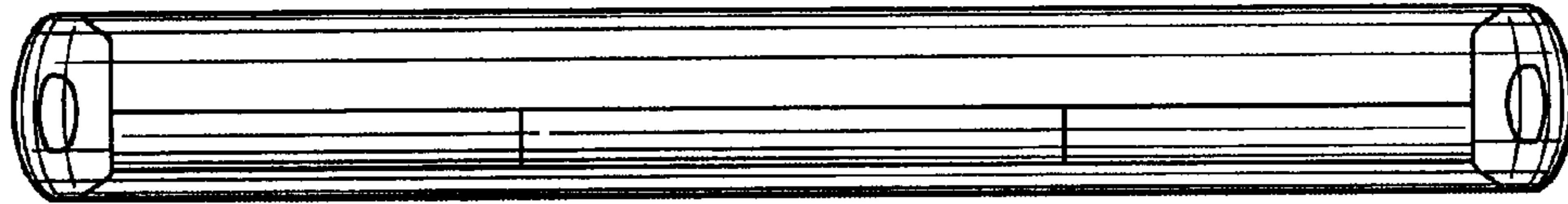


FIG. 4

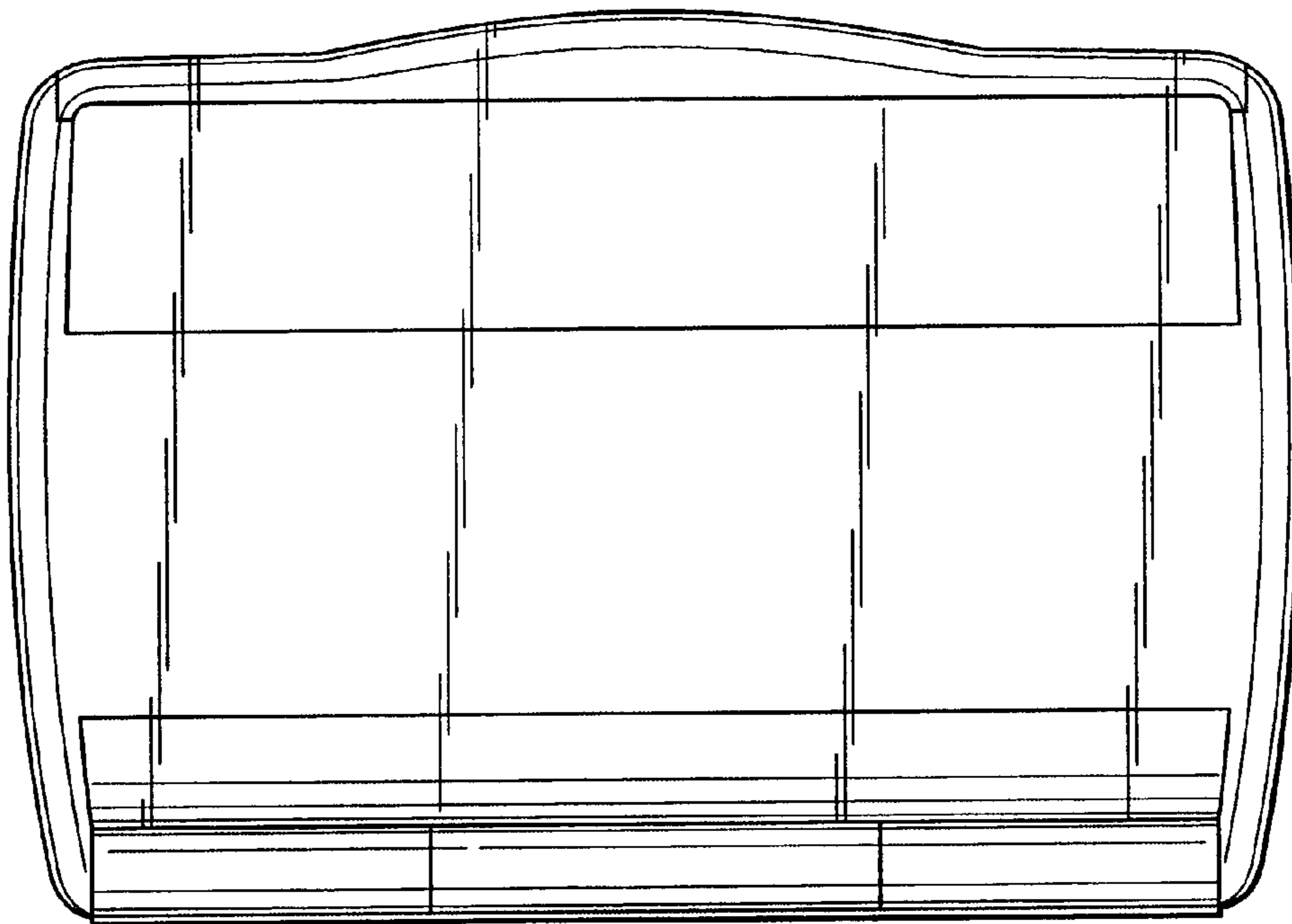


FIG. 5

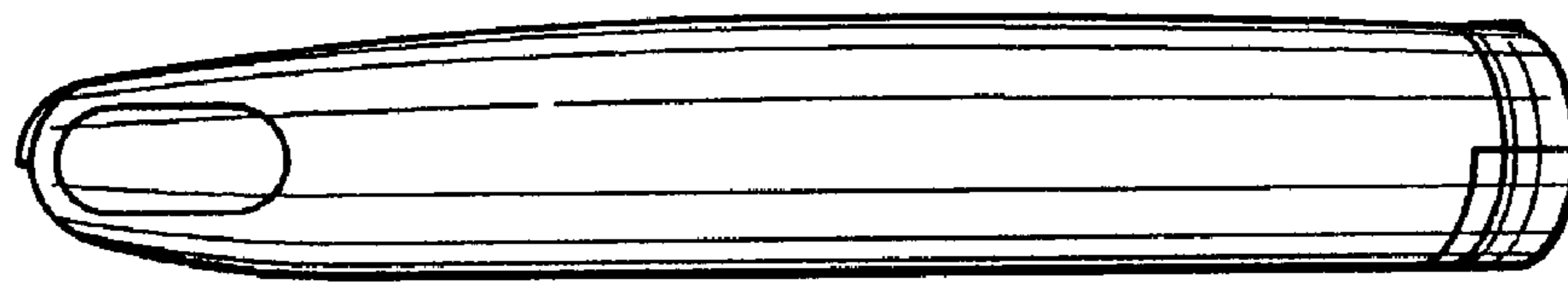


FIG. 6

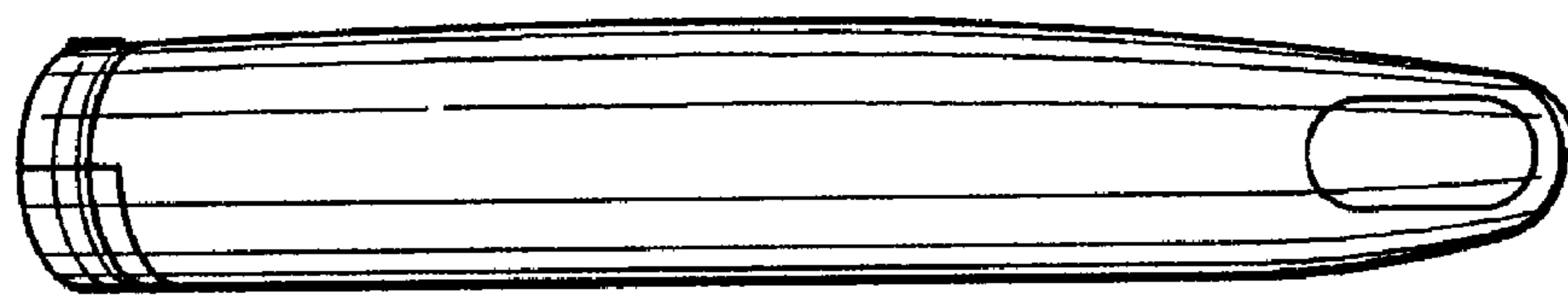


FIG. 7