



US00D510186S

(12) **United States Design Patent**  
**Bell**

(10) **Patent No.:** **US D510,186 S**

(45) **Date of Patent:** **\*\* Oct. 4, 2005**

(54) **CARD HOLDER**

(76) **Inventor:** **Brent Bell**, 14306 Valerio St., Van Nuys, CA (US) 91405

(\*\*) **Term:** **14 Years**

(21) **Appl. No.:** **29/213,512**

(22) **Filed:** **Sep. 17, 2004**

(51) **LOC (8) Cl.** ..... **03-01**

(52) **U.S. Cl.** ..... **D3/247**

(58) **Field of Search** ..... D3/201, 247, 248, D3/249, 250, 251, 252, 263; 150/129, 131, 132, 133, 135, 138, 140, 145, 147, 901; 190/124, 125, 126, 127, 903; 383/907; D19/1, 90; 40/1.5, 1.6, 586, 587, 564.01, 663; 116/200, 321; 206/37, 38, 39, 39.5, 39.6, 39.7, 805; 229/67.1, 67.2, 72; 224/182, 219, 220, 221, 227, 236, 660, 623; 340/568.1, 568.7

(56) **References Cited**

**U.S. PATENT DOCUMENTS**

D203,240 S \* 12/1965 McCreary ..... D3/247  
D386,302 S \* 11/1997 Taylor ..... D3/201

D388,605 S \* 1/1998 Callahan et al. .... D3/247  
D388,951 S \* 1/1998 Mori ..... D3/201  
D470,657 S \* 2/2003 Kawamura ..... D3/247  
D481,537 S \* 11/2003 Vaughn ..... D3/247

\* cited by examiner

*Primary Examiner*—Louis S. Zarfes

*Assistant Examiner*—Monica A. Weingart

(74) *Attorney, Agent, or Firm*—Clement Cheng

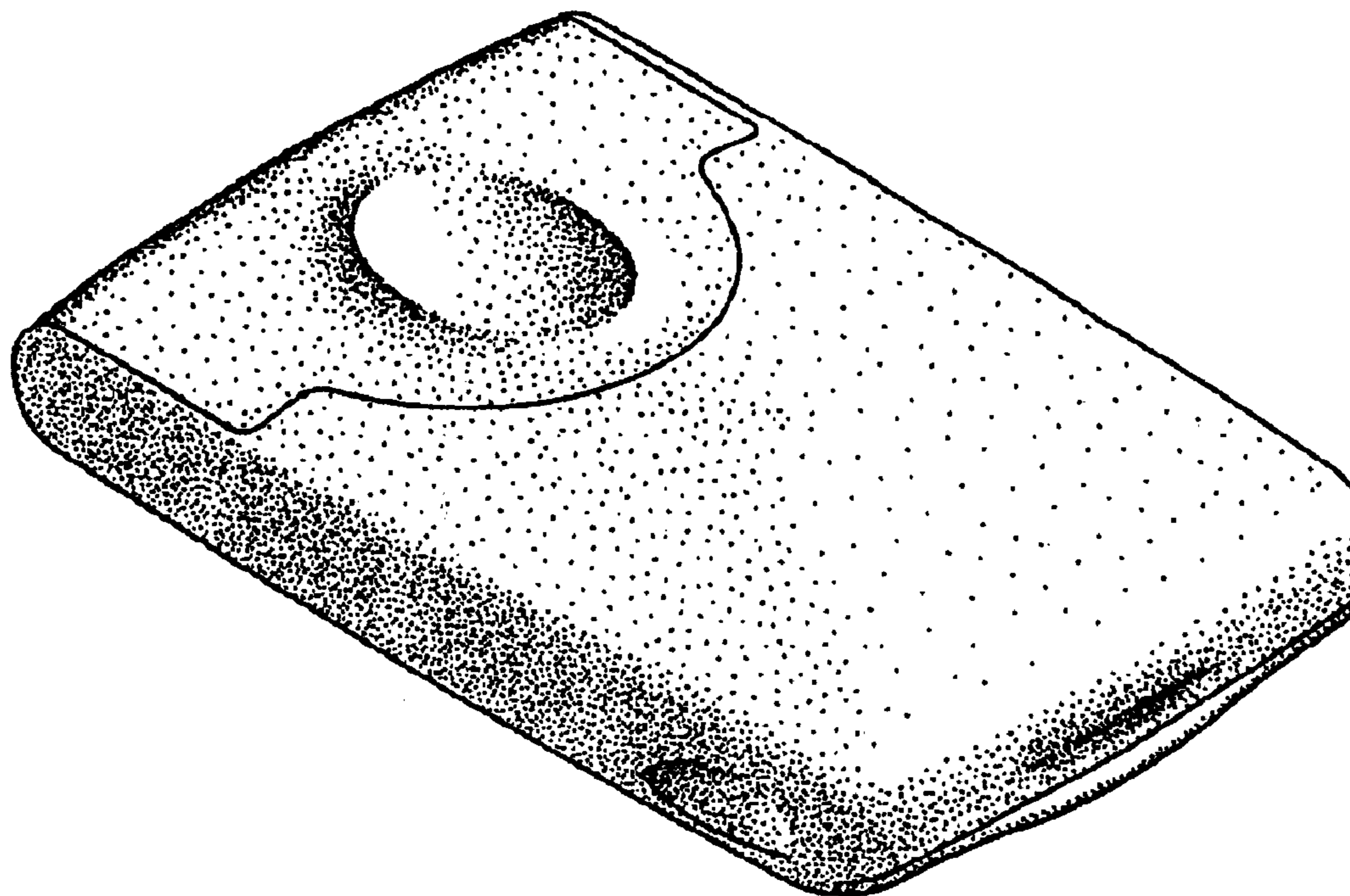
(57) **CLAIM**

The ornamental design for a card holder, as shown and described.

**DESCRIPTION**

FIG. 1 is a perspective view of a card holder showing my new design;  
FIG. 2 is a perspective view in the open position thereof;  
FIG. 3 is a top plan view thereof;  
FIG. 4 is a right side elevational view the left side being a mirror image thereof;  
FIG. 5 is a bottom plan view thereof;  
FIG. 6 is front elevational view thereof;  
FIG. 7 is rear elevational view thereof; and,  
FIG. 8 is an exploded view thereof.

**1 Claim, 3 Drawing Sheets**



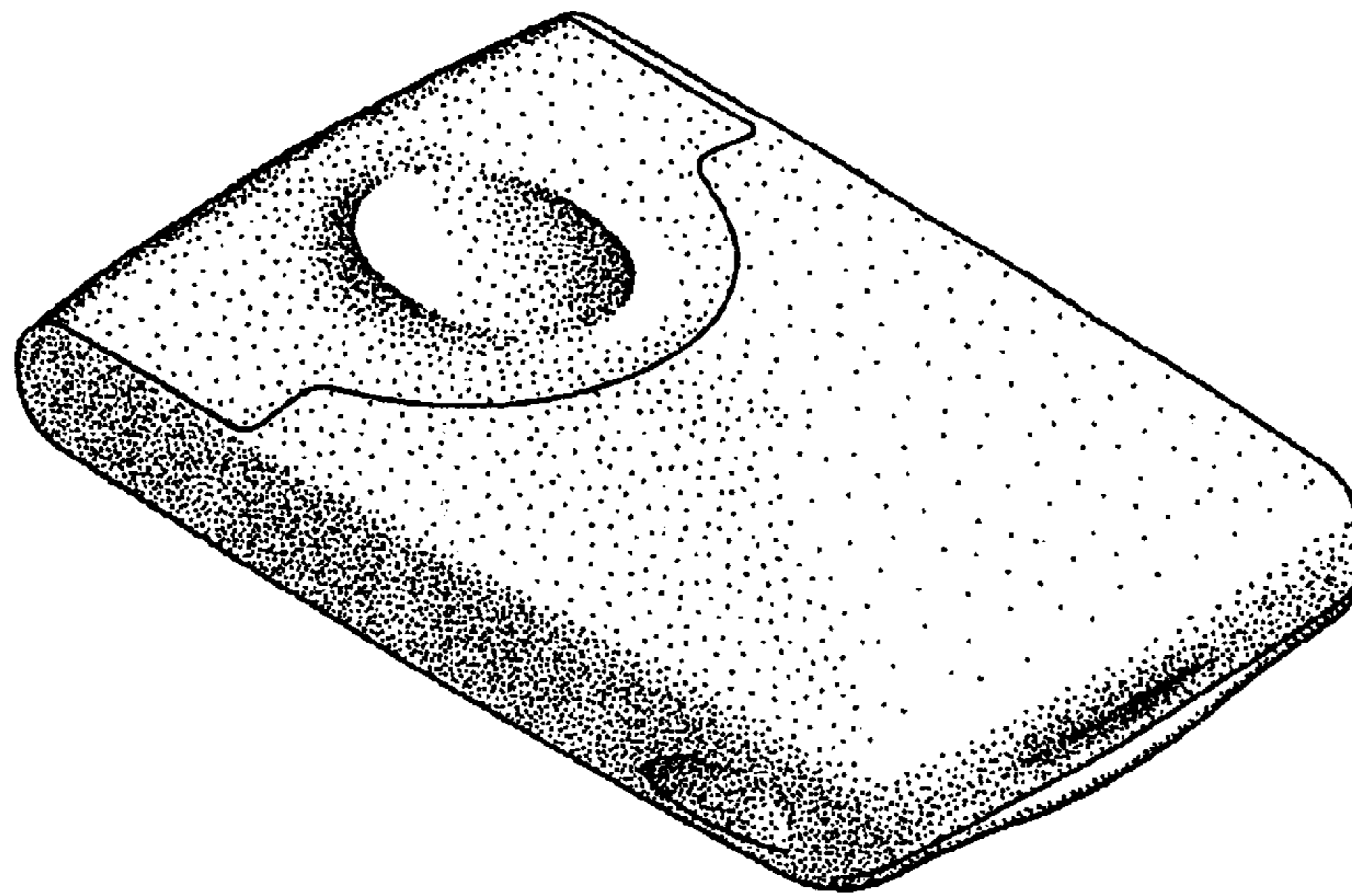


FIG. 1

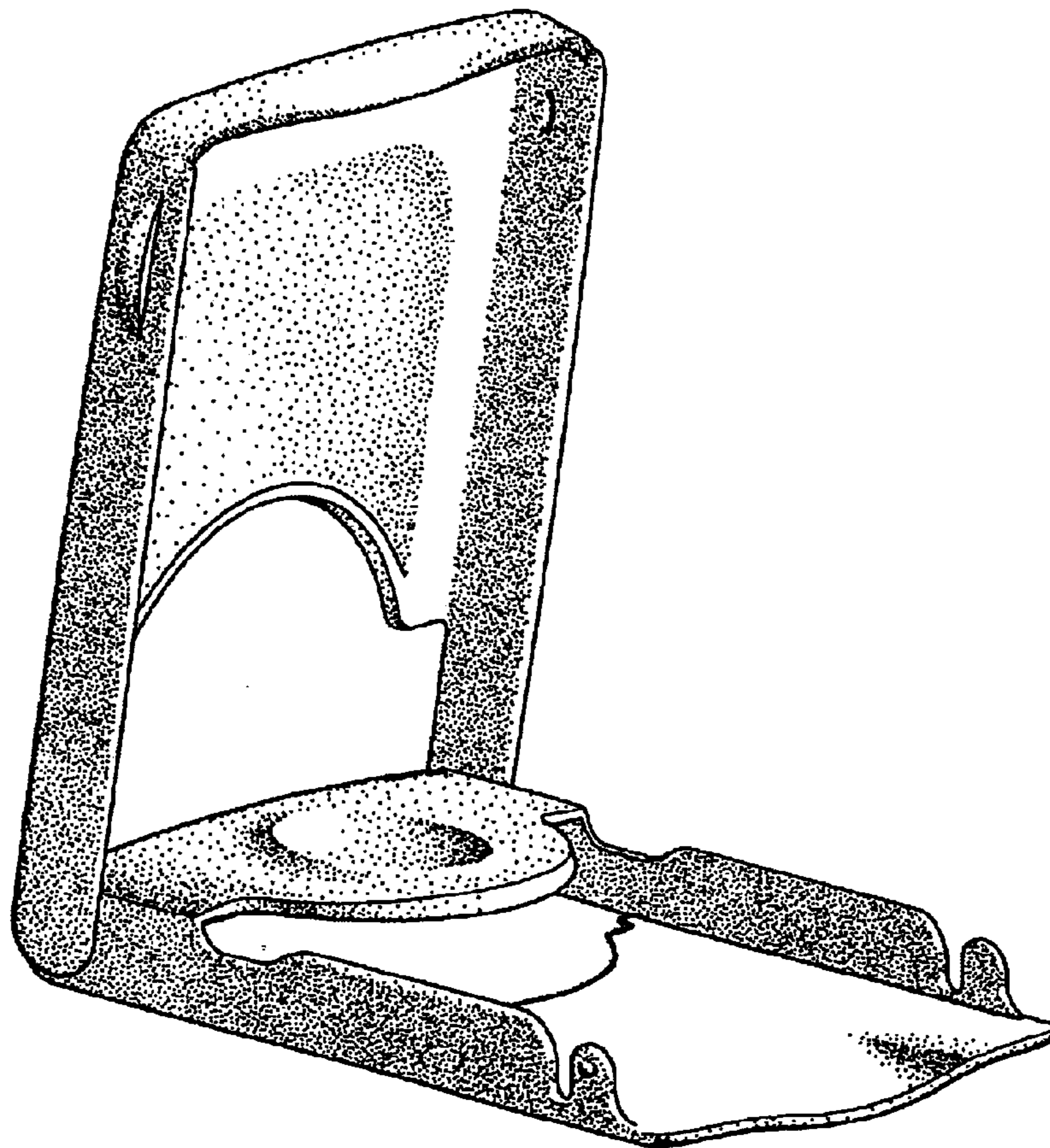


FIG. 2

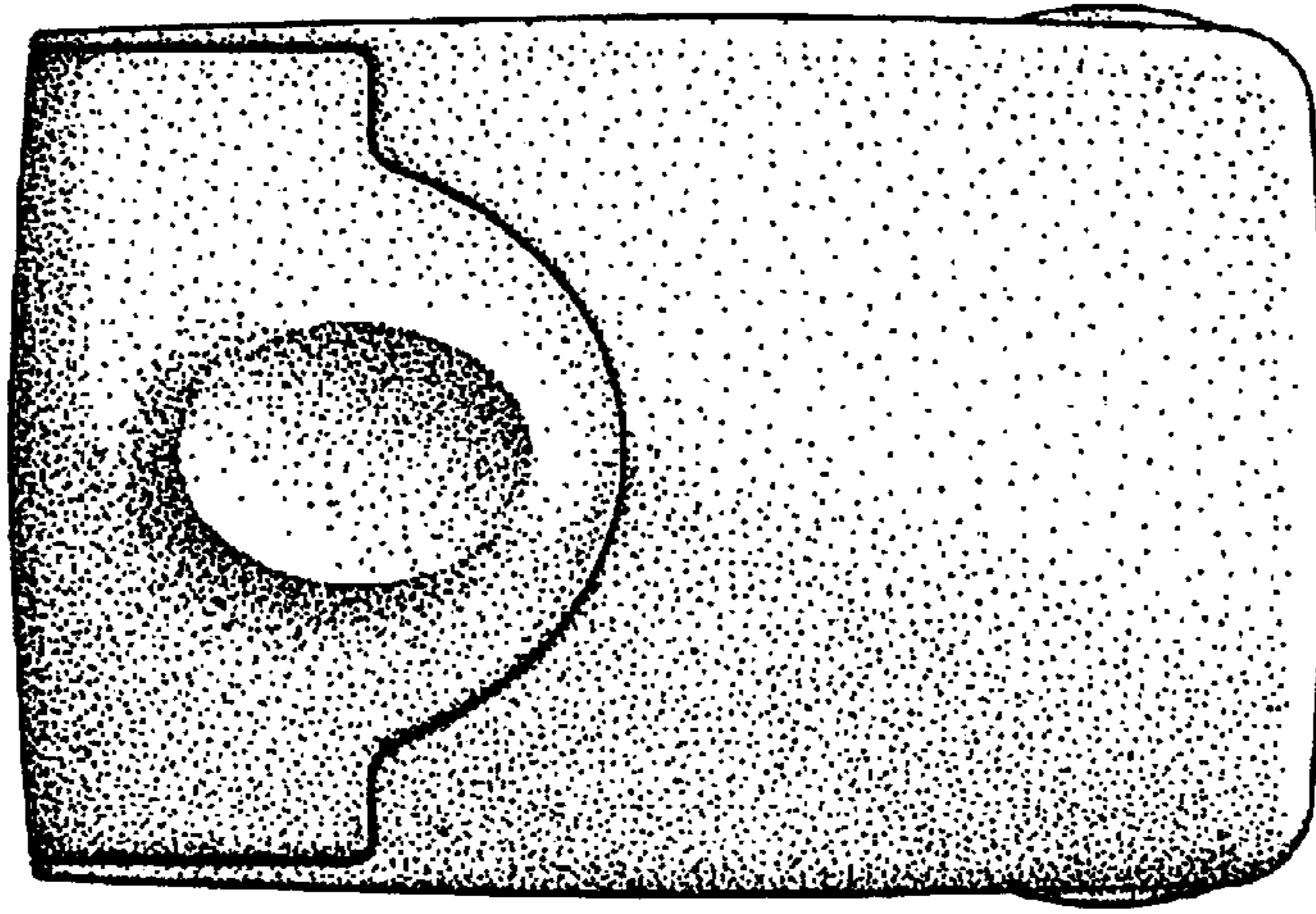


FIG. 3

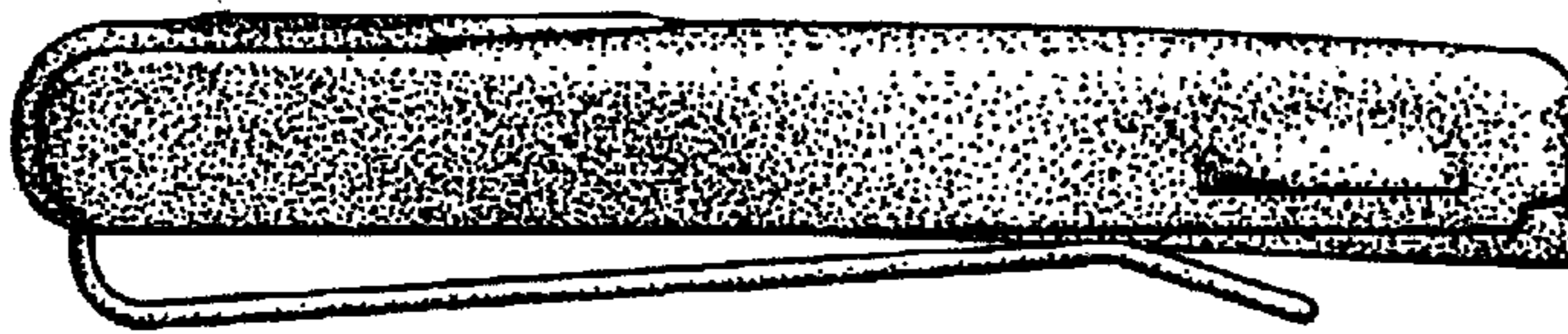


FIG. 4

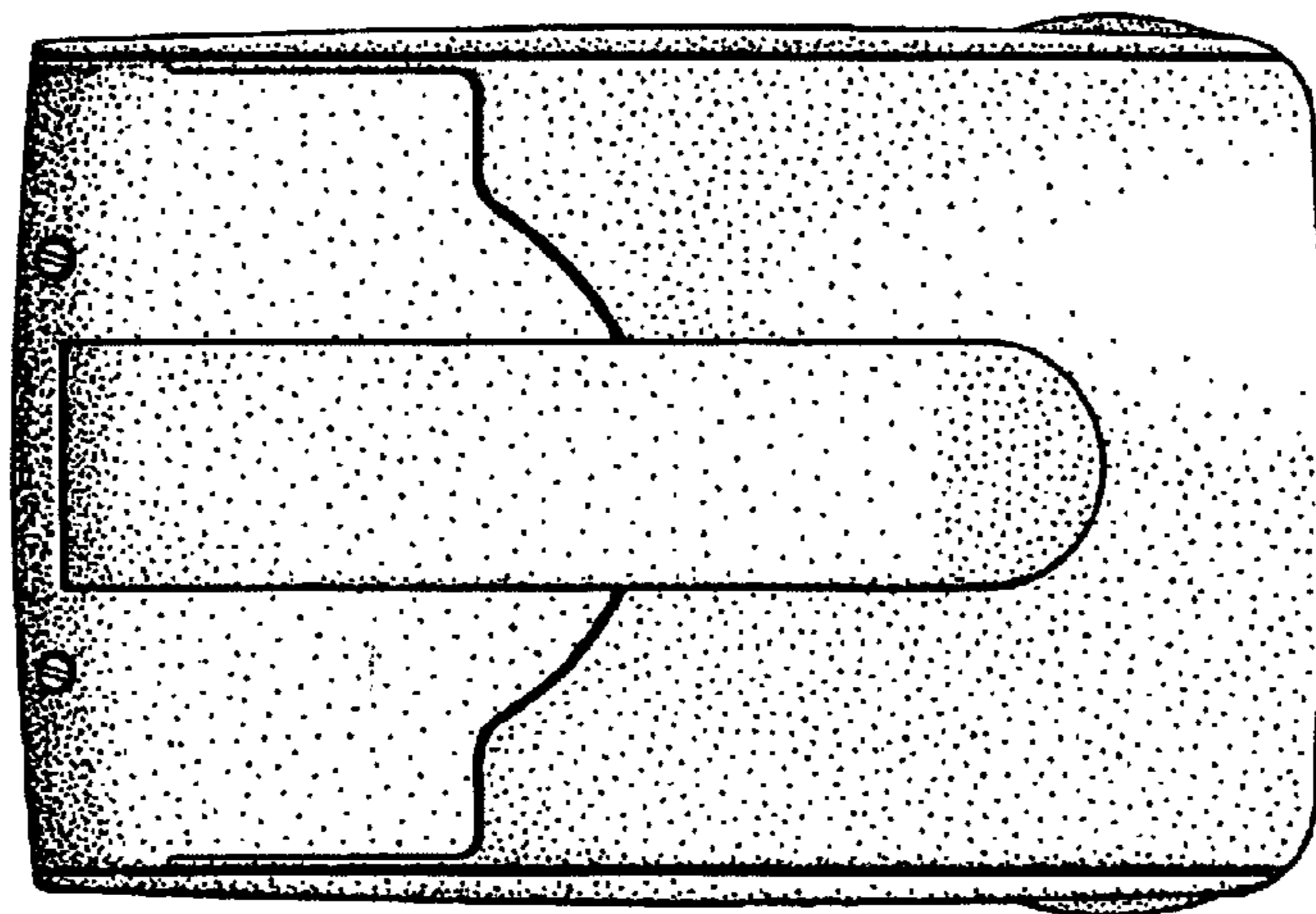


FIG. 5

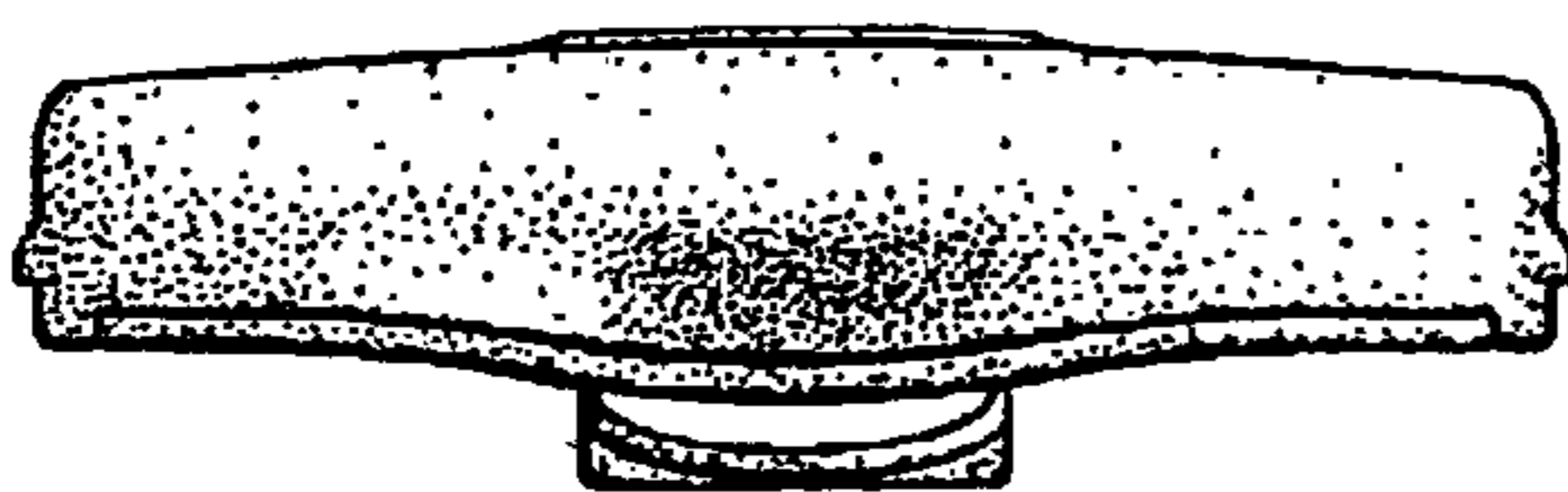


FIG. 6

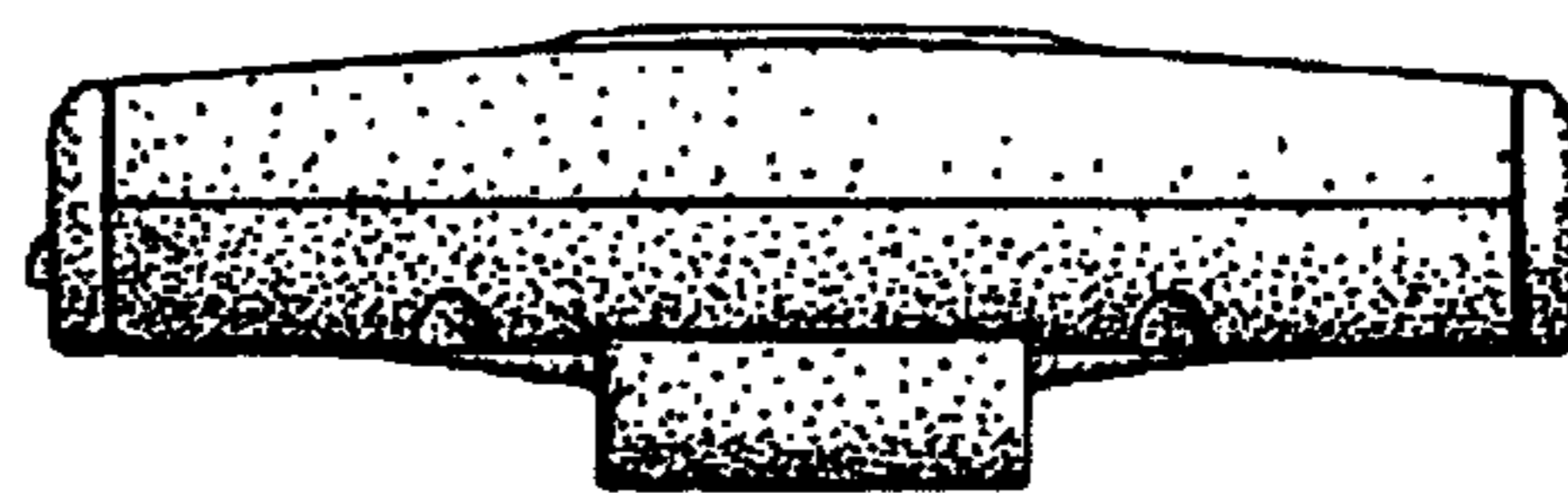


FIG. 7

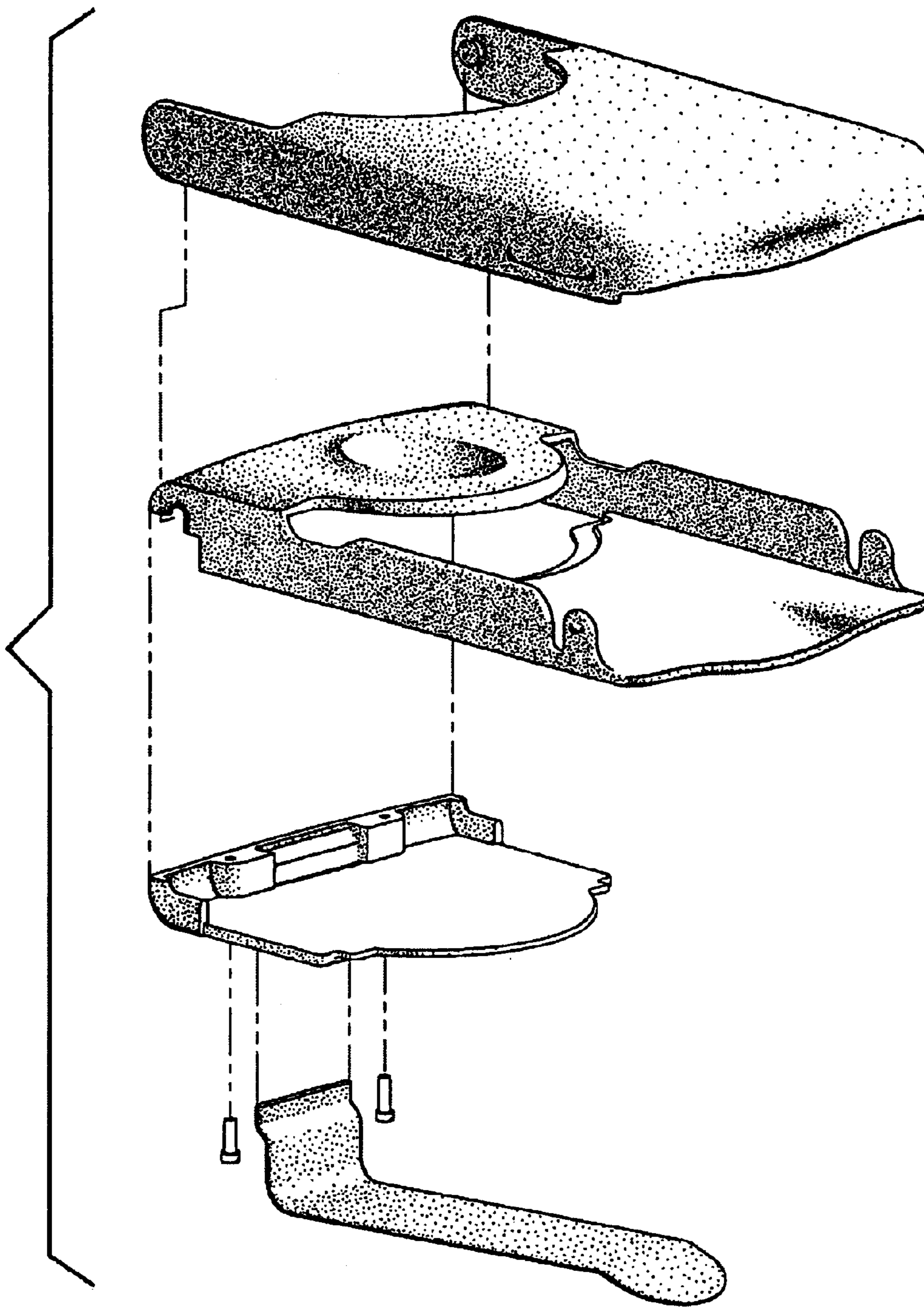


FIG. 8