



US00D510170S

(12) **United States Design Patent** (10) **Patent No.:** **US D510,170 S**  
**Nelson, Jr. et al.** (45) **Date of Patent:** **\*\* Sep. 27, 2005**

(54) **BANK DEPOSITORY**

(75) Inventors: **Donald S. Nelson, Jr.**, Akron, OH (US); **David A. Baker**, North Canton, OH (US); **Paul D. Magee**, North Canton, OH (US); **Steven Robert Davis**, North Lawrence, OH (US); **Vincent Thomas Marmon**, Canal Fulton, OH (US)

(73) Assignee: **Diebold, Incorporated**, North Canton, OH (US)

(\*\*) Term: **14 Years**

(21) Appl. No.: **29/208,828**

(22) Filed: **Jul. 2, 2004**

(51) **LOC (8) Cl.** ..... **99-00**

(52) **U.S. Cl.** ..... **D99/28**

(58) **Field of Search** ..... D99/28, 35, 36, D99/40, 41, 43; 235/379, 380, 381; 194/210, 256; 109/46, 24.1; D14/339, 381; D18/3.1, 3.3; D25/1; 52/36.1; D20/1, 4, 5; D21/369

(56) **References Cited**

**U.S. PATENT DOCUMENTS**

2,769,516 A \* 11/1956 Hensley, Jr. .... 194/210

D286,654 S \* 11/1986 Picard ..... D21/369  
 4,754,126 A \* 6/1988 Caldwell ..... 235/379  
 D375,607 S \* 11/1996 Hall ..... D99/28  
 D411,905 S \* 7/1999 Molander et al. .... D99/28  
 D444,608 S \* 7/2001 Kit ..... D99/28  
 6,527,172 B1 \* 3/2003 Lewis et al. .... 235/379  
 D485,417 S \* 1/2004 Magee et al. .... D99/28  
 D492,081 S \* 6/2004 Magee et al. .... D99/28  
 D492,082 S \* 6/2004 Magee et al. .... D99/28

\* cited by examiner

*Primary Examiner*—Paula A. Greene

(74) *Attorney, Agent, or Firm*—Nancy Lynn Reeves; Ralph E. Jocke; Walker & Jocke

(57) **CLAIM**

We claim the ornamental design for a bank depository, as shown.

**DESCRIPTION**

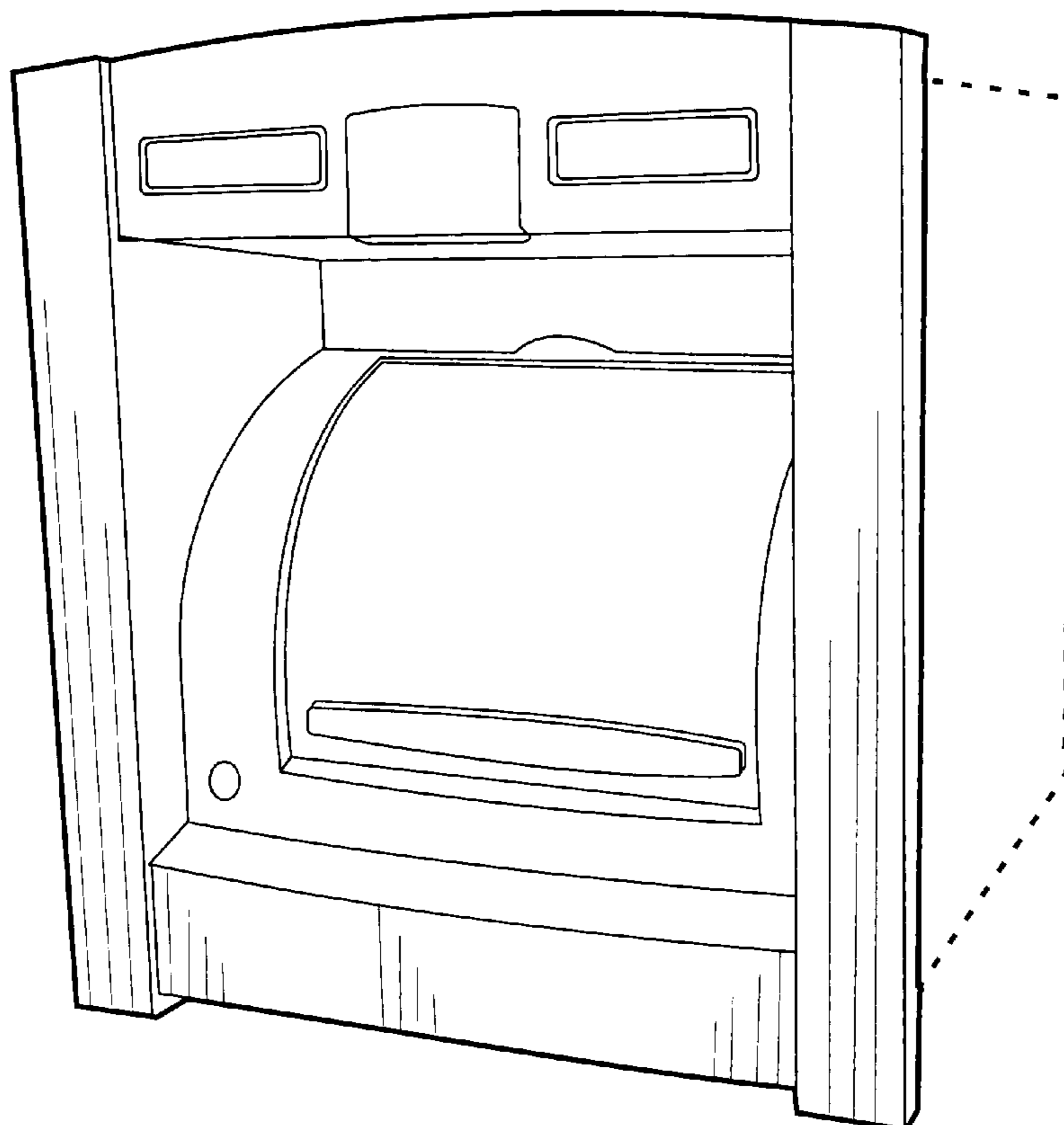
FIG. 1 is a front perspective view of a bank depository, the internal enclosure thereof not being a part of the design shown in phantom.

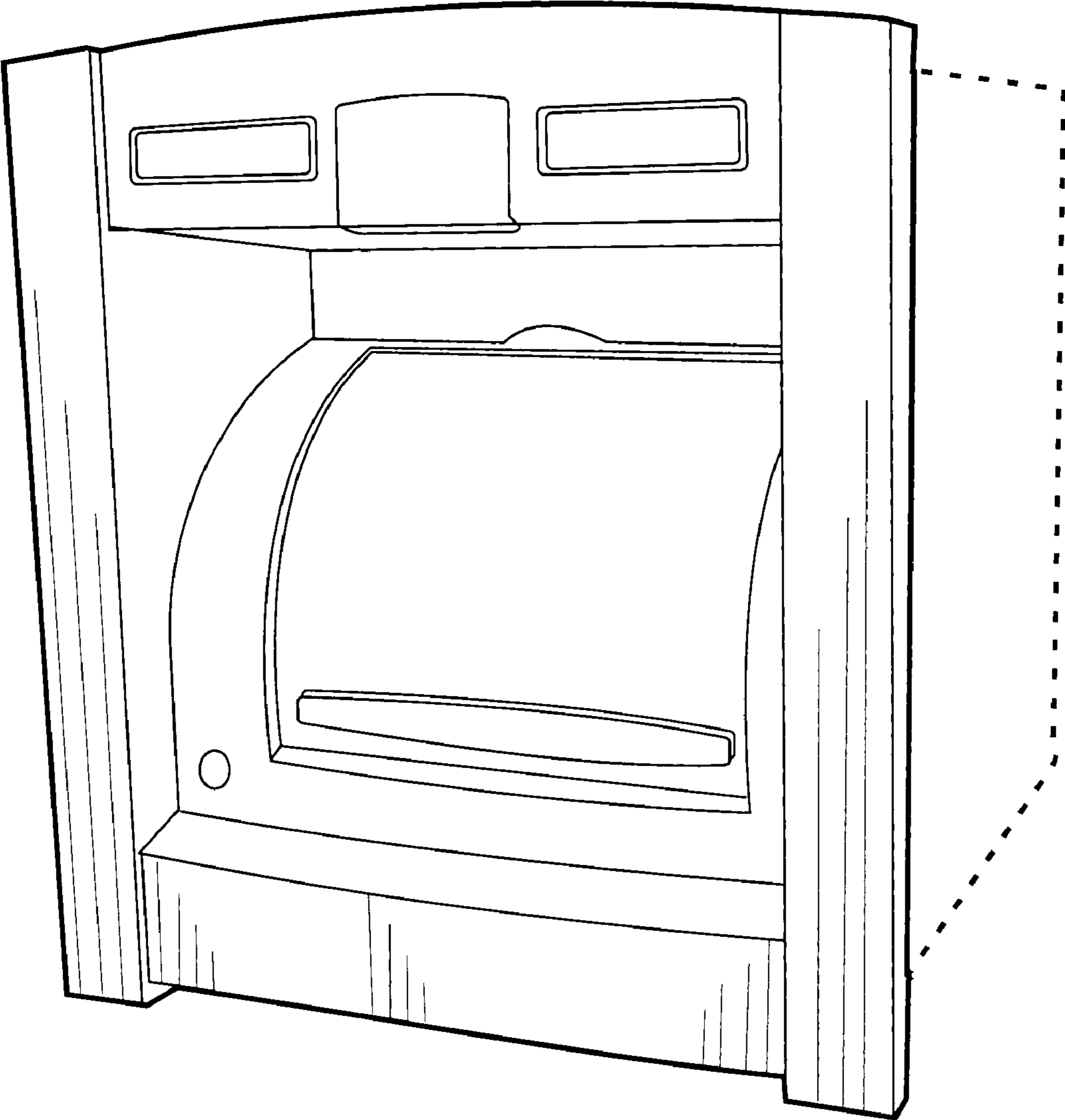
FIG. 2 is a view thereof from the front.

FIG. 3 is a side view thereof, from the right as illustrated in FIG. 2; and,

FIG. 4 is a top view thereof.

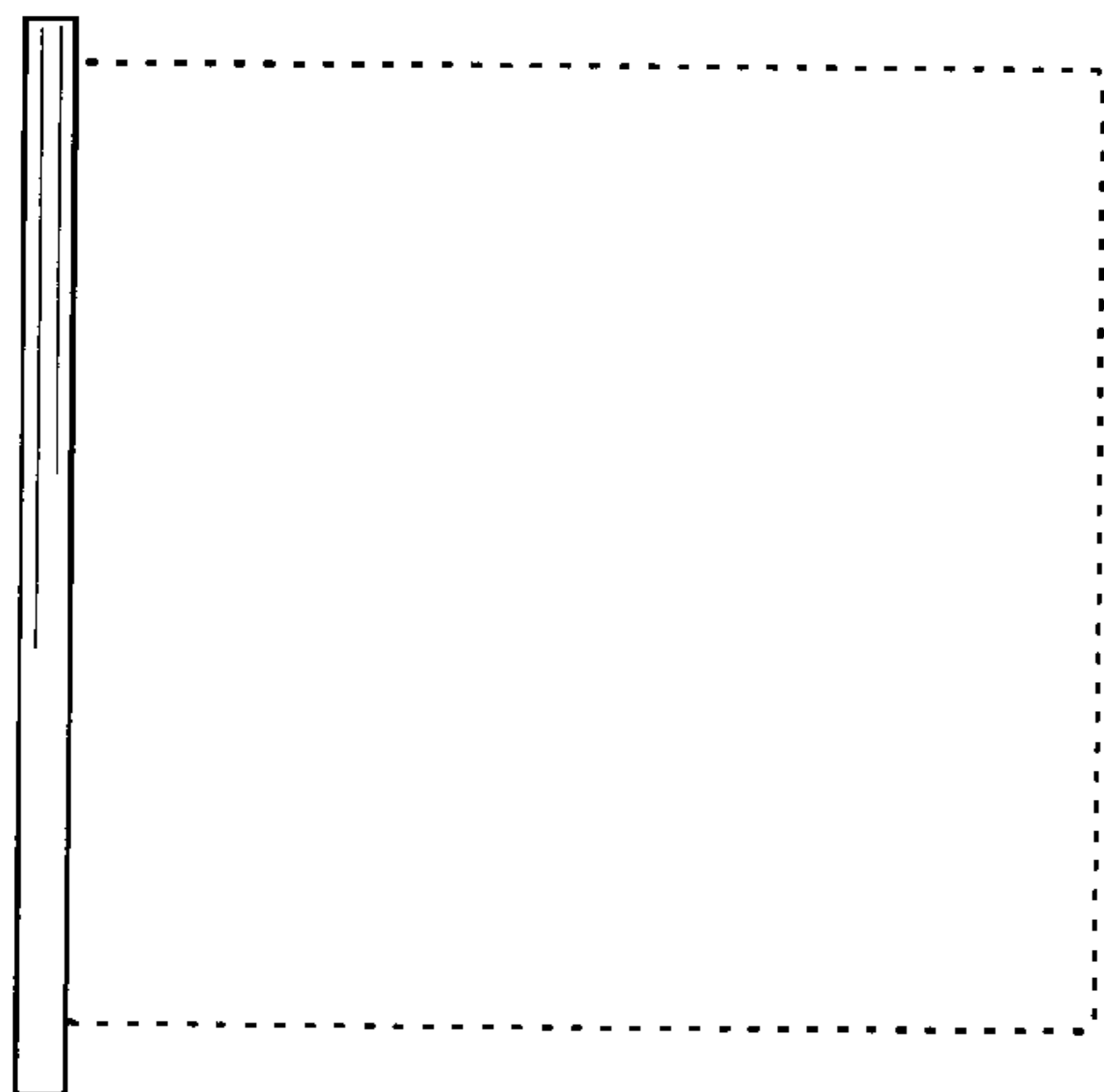
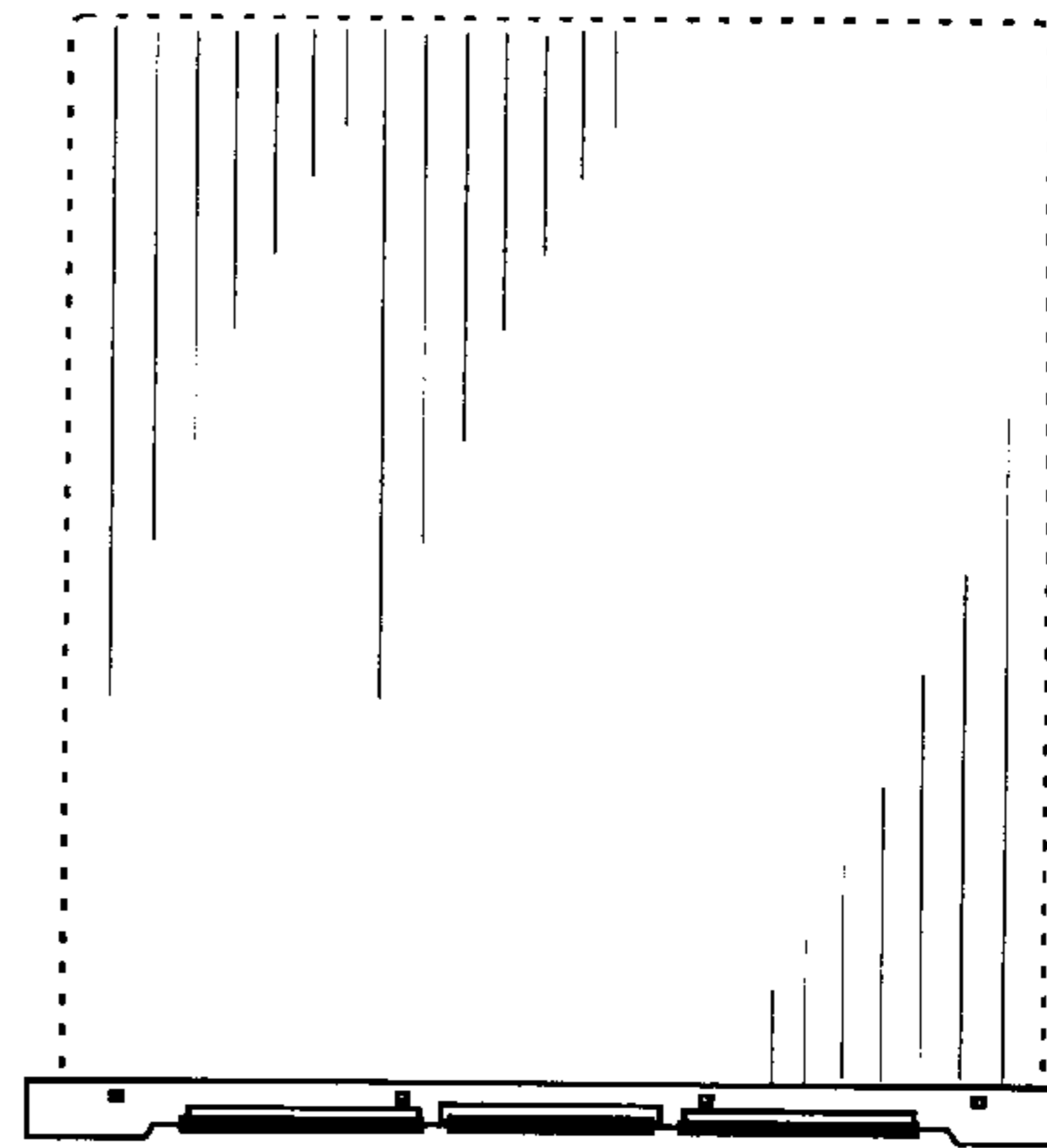
**1 Claim, 2 Drawing Sheets**



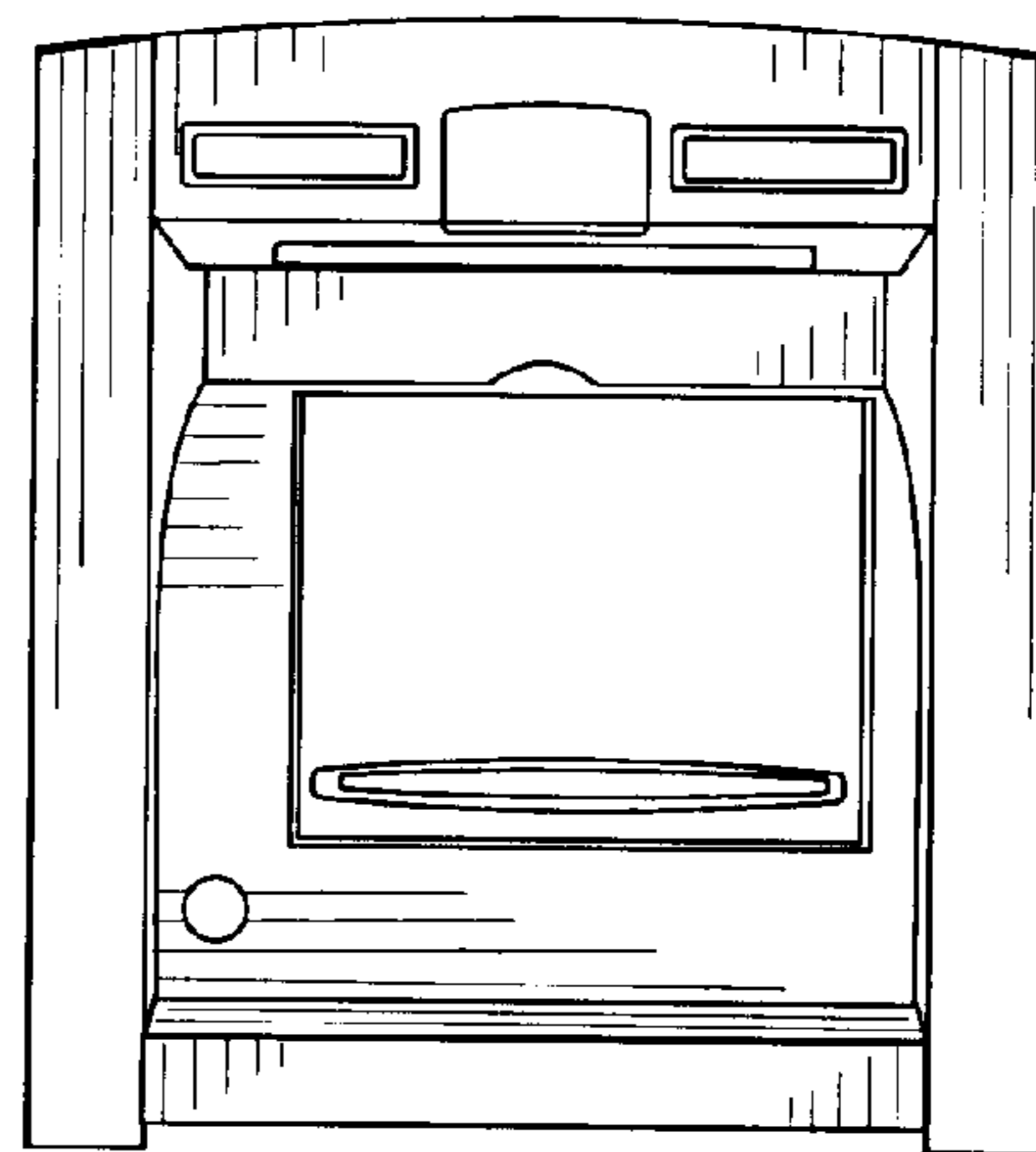


**FIG. 1**

**FIG. 4**



**FIG. 3**



**FIG. 2**