



US00D510169S

(12) **United States Design Patent** (10) **Patent No.:** **US D510,169 S**  
**Deane et al.** (45) **Date of Patent:** **\*\* Sep. 27, 2005**

(54) **MOBILITY CART FOR TRANSPORTING OXYGEN CONCENTRATORS AND RELATED ACCESSORIES**

(75) Inventors: **Geoffrey Frank Deane**, Goleta, CA (US); **Brenton Alan Taylor**, Santa Barbara, CA (US); **Rex O. Bare**, Lake Forest, CA (US)

(73) Assignee: **Inogen, Inc.**, Goleta, CA (US)

(\*\*) Term: **14 Years**

(21) Appl. No.: **29/204,892**

(22) Filed: **May 4, 2004**

**Related U.S. Application Data**

(63) Continuation of application No. 10/680,885, filed on Oct. 7, 2003.

(51) **LOC (8) Cl.** ..... **12-02**

(52) **U.S. Cl.** ..... **D34/24; D34/26**

(58) **Field of Search** ..... D34/23, 24, 12, D34/26, 14; 128/202.26; 280/40, 655, 651, 652, 655.1, 47.24; 414/444

(56) **References Cited**

**U.S. PATENT DOCUMENTS**

5,114,118	A	*	5/1992	Schrader	.....	254/8	R
5,294,137	A	*	3/1994	Barber et al.	.....	280/47.26	
D364,021	S	*	11/1995	Shih-Hsien	.....	D34/26	
D365,187	S	*	12/1995	Tsai	.....	D34/26	
D376,238	S	*	12/1996	Tsai	.....	D34/26	
D411,679	S	*	6/1999	Hsieh et al.	.....	D34/24	
6,053,514	A	*	4/2000	Su	.....	280/40	
D453,602	S	*	2/2002	Chang	.....	D34/24	

D466,267	S	*	11/2002	Lee	.....	D34/24
D468,882	S	*	1/2003	Hsieh et al.	.....	D34/24
6,554,300	B1	*	4/2003	Ziolkowski	.....	280/47.27
D485,038	S	*	1/2004	Zimmer	.....	D34/24
2003/0167924	A1		9/2003	McCombs et al.		

\* cited by examiner

*Primary Examiner*—Cynthia E. Ramirez

(74) *Attorney, Agent, or Firm*—Knobbe Martens Olson & Bear LLP

(57) **CLAIM**

The ornamental design for a mobility cart for transporting oxygen concentrators and related accessories, as shown and described.

**DESCRIPTION**

FIG. 1 is a right side perspective view of the mobility cart of the present design;

FIG. 2 is a front view of the mobility cart of the present design;

FIG. 3 is a rear view of the mobility cart of the present design;

FIG. 4 is a right side view of the mobility cart of the present design;

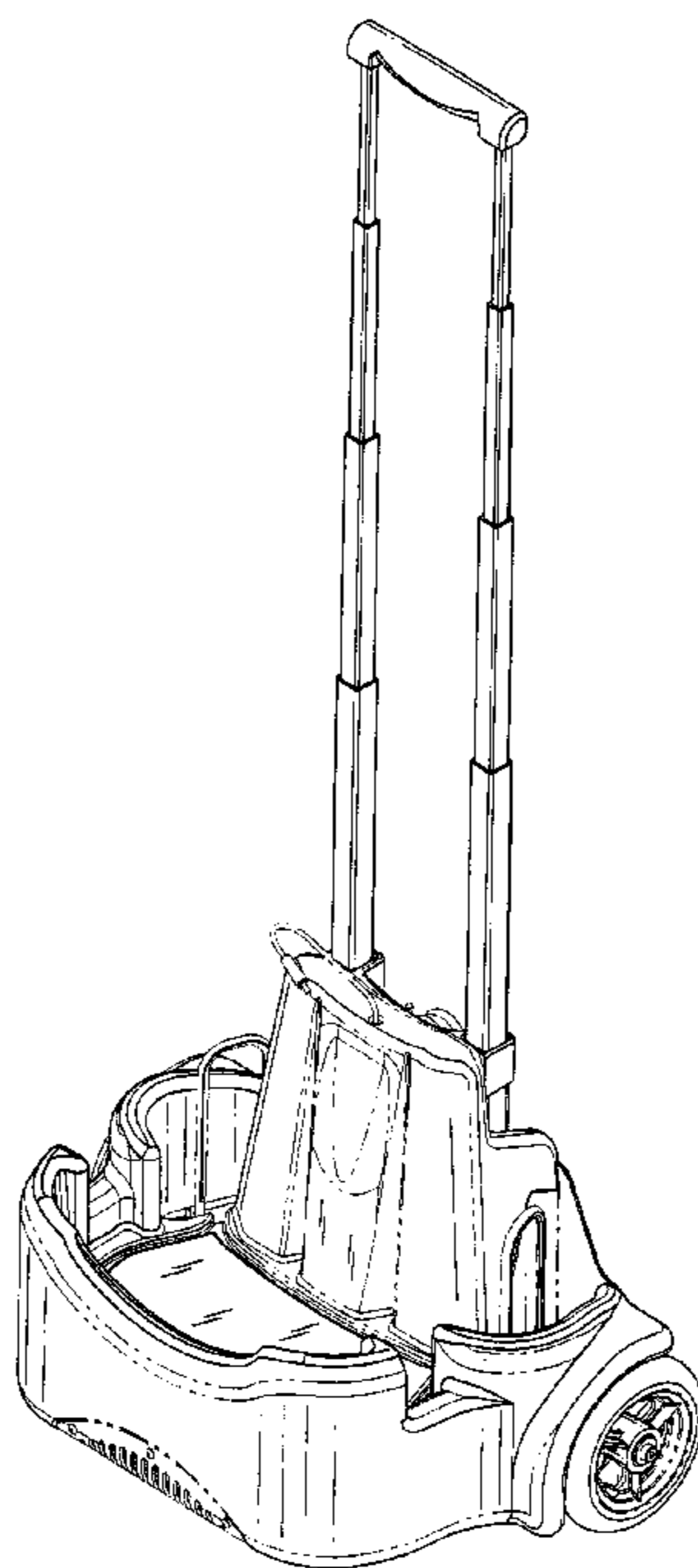
FIG. 5 is a left side view of the mobility cart of the present design;

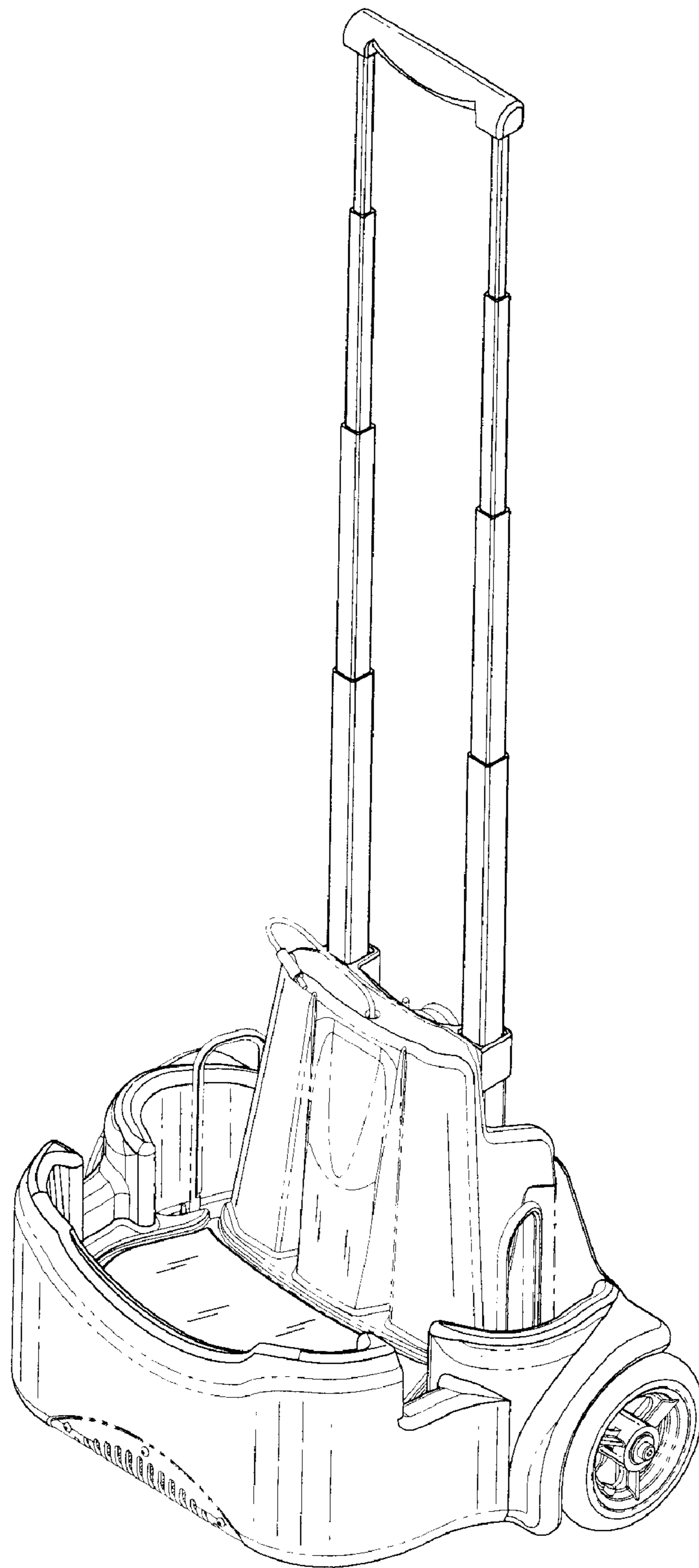
FIG. 6 is a top view of the mobility cart of the present design; and,

FIG. 7 is a bottom view of the mobility cart of the present design.

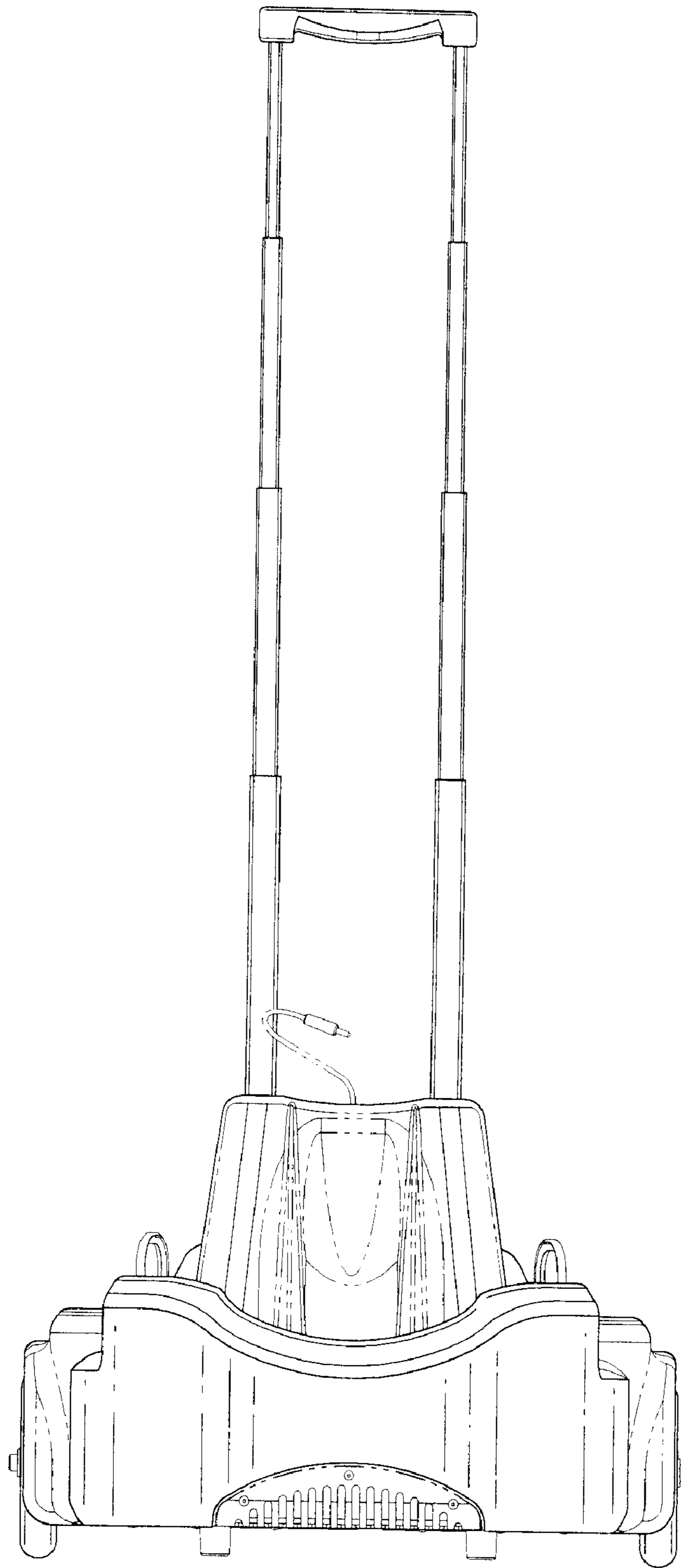
The broken lines showing additional features of the mobility cart in FIGS. 1–7 are for illustrative purposes only and form no part of the claimed design.

**1 Claim, 6 Drawing Sheets**

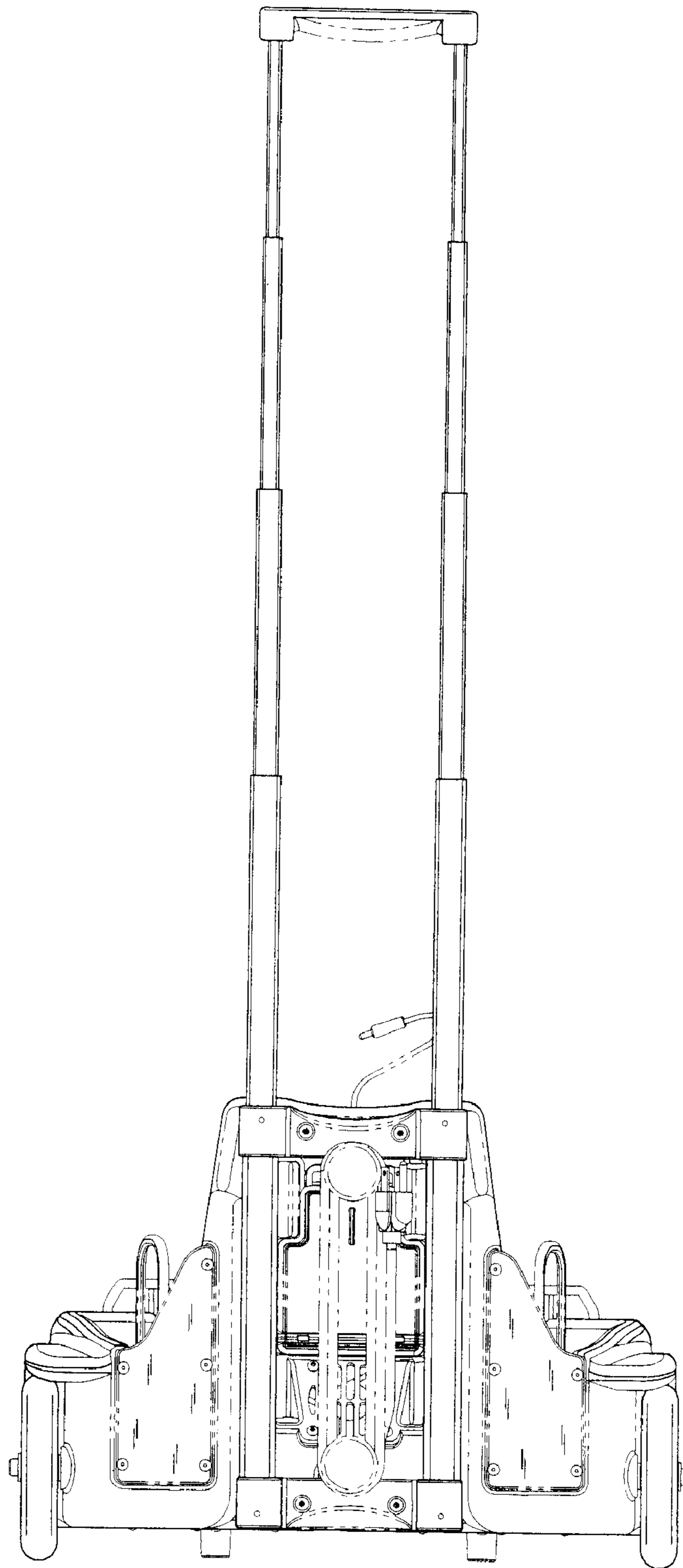




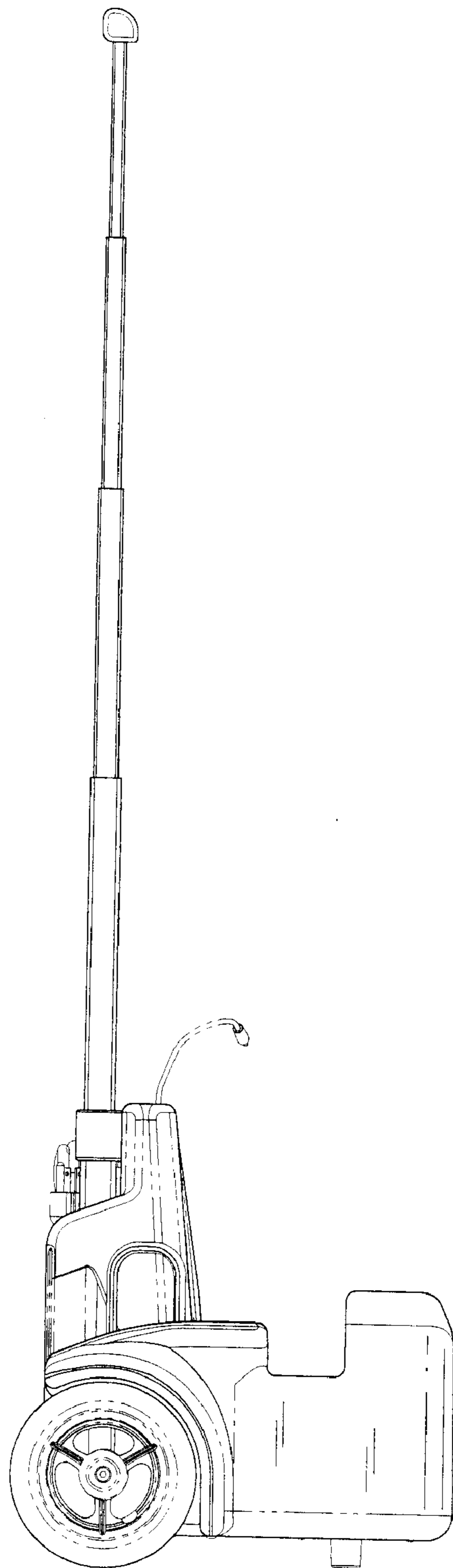
*FIG. 1*



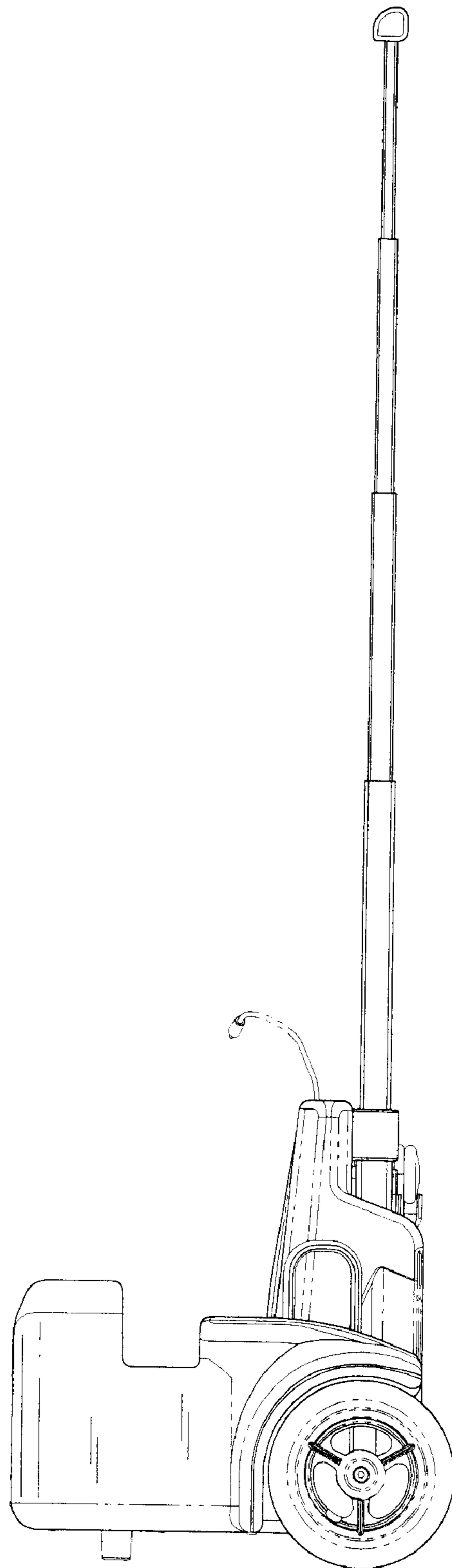
*FIG. 2*



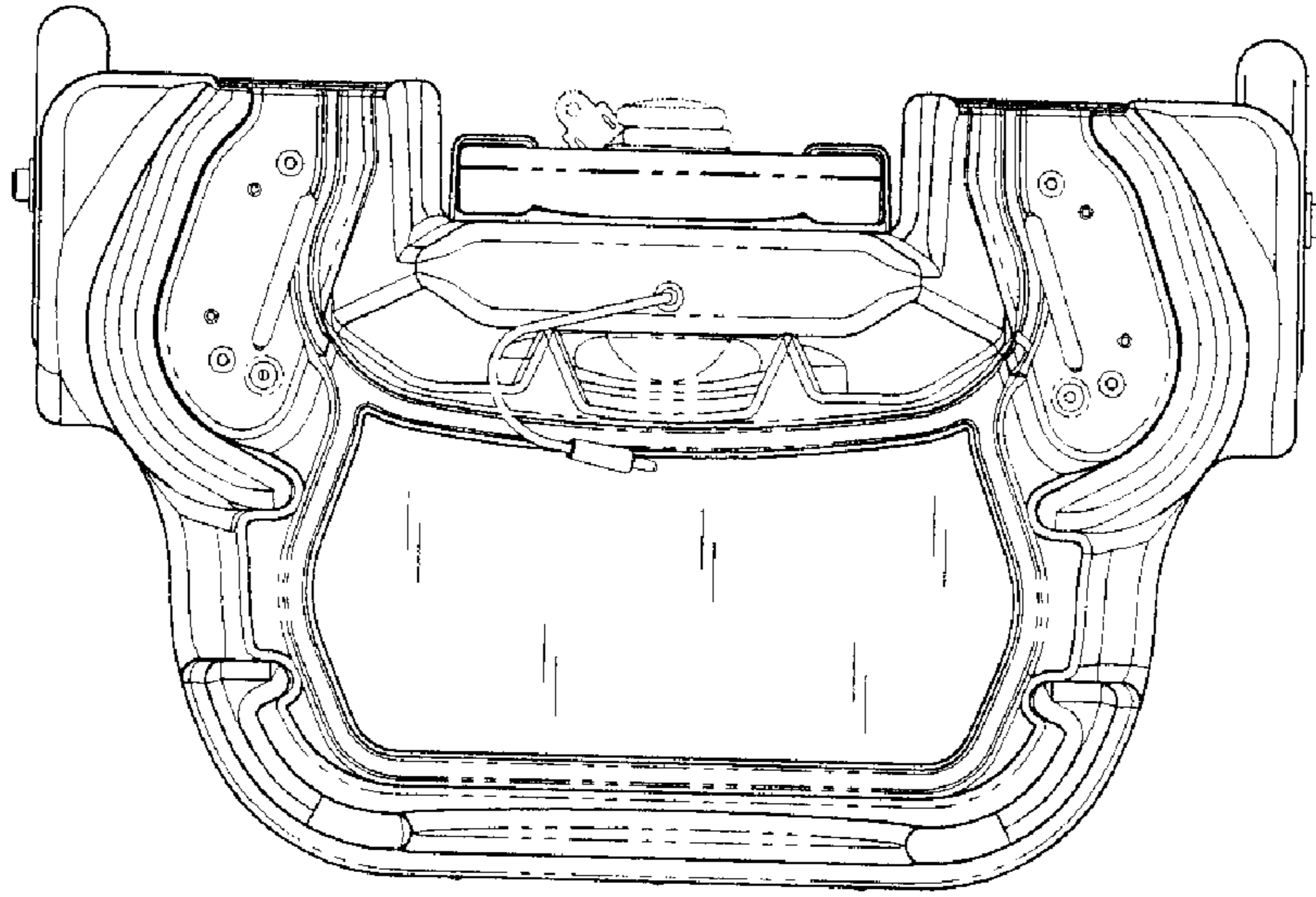
*FIG. 3*



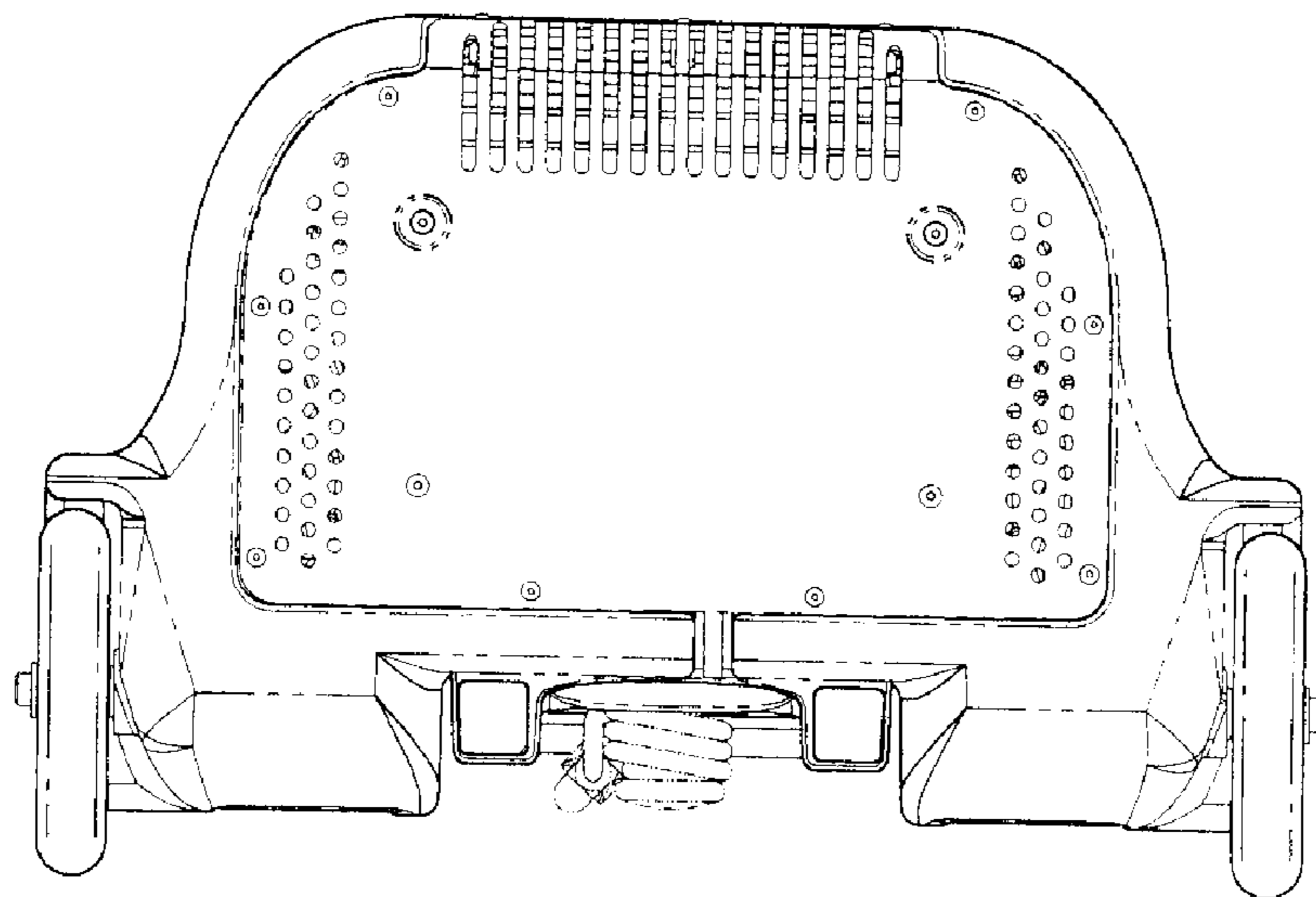
*FIG. 4*



*FIG. 5*



*FIG. 6*



*FIG. 7*