



US00D510168S

(12) **United States Design Patent**
Lovegrove et al.

(10) **Patent No.: US D510,168 S**

(45) **Date of Patent: ** Sep. 27, 2005**

(54) **CART**

(75) Inventors: **Ross Lovegrove**, London (GB);
Sebastian Liedtke, London (GB)

(73) Assignee: **Knoll, Inc.**, East Greenville, PA (US)

(**) Term: **14 Years**

(21) Appl. No.: **29/205,948**

(22) Filed: **May 20, 2004**

Related U.S. Application Data

(62) Division of application No. 29/161,836, filed on Jun. 5, 2002, now Pat. No. Des. 493,019.

(51) **LOC (8) Cl.** **12-02**

(52) **U.S. Cl.** **D34/17; D34/20**

(58) **Field of Search** D34/12-27; 280/47.19,
280/47.24, 47.27, 47.29, 79.11, 79.3, 47.34,
47.35, 638, 639, 651

(56) **References Cited**

U.S. PATENT DOCUMENTS

- 4,740,010 A * 4/1988 Moskowitz 280/641
- D357,781 S 4/1995 Crinion
- D360,725 S * 7/1995 Snell D34/21
- D361,188 S * 8/1995 Perelli D34/21
- D363,590 S * 10/1995 Kazmerchek et al. D34/21
- 5,738,365 A * 4/1998 McCarthy 280/651
- D445,229 S 7/2001 Stravitz et al.
- D452,357 S 12/2001 Stravitz et al.

- 6,572,123 B2 * 6/2003 Calmeise et al. 280/47.35
- D485,037 S * 1/2004 Presnell et al. D34/21
- D487,604 S * 3/2004 Van Landingham, Jr. D34/12
- 6,739,605 B2 * 5/2004 Calmeise et al. 280/47.35
- D493,019 S * 7/2004 Lovegrove et al. D34/17
- 6,767,019 B2 * 7/2004 van Hekken 280/47.35
- 6,796,565 B2 * 9/2004 Choi et al. 280/47.35

* cited by examiner

Primary Examiner—Cynthia E. Ramirez

(74) *Attorney, Agent, or Firm*—Buchanan Ingersoll PC

(57) **CLAIM**

The ornamental design for a cart, as shown and described.

DESCRIPTION

FIG. 1 is a perspective view of a cart showing our new design;

FIG. 2 is a front elevational view thereof;

FIG. 3 is a rear elevational view thereof;

FIG. 4 is a right side elevational view thereof;

FIG. 5 is a left side elevational view thereof;

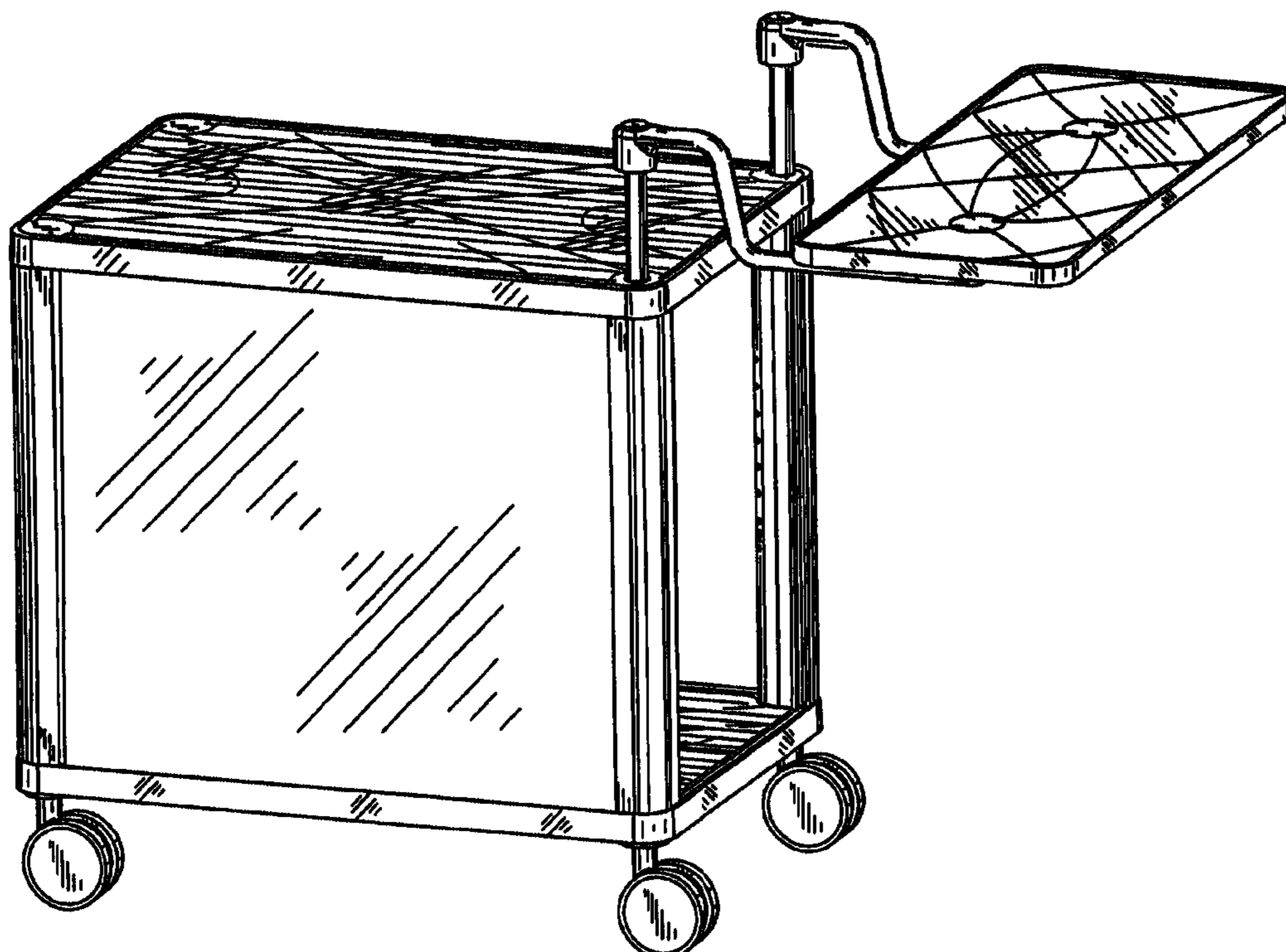
FIG. 6 is a top plan view thereof;

FIG. 7 is a bottom plan view thereof; and,

FIG. 8 is a perspective view of the cart of FIG. 1 of our new design with the adjustable keyboard support shown in phantom lines to illustrate a lowered position.

The phantom lines in FIG. 8 are for illustrative purposes only to show the adjustable nature of the keyboard support and form no part of the claimed design.

1 Claim, 8 Drawing Sheets



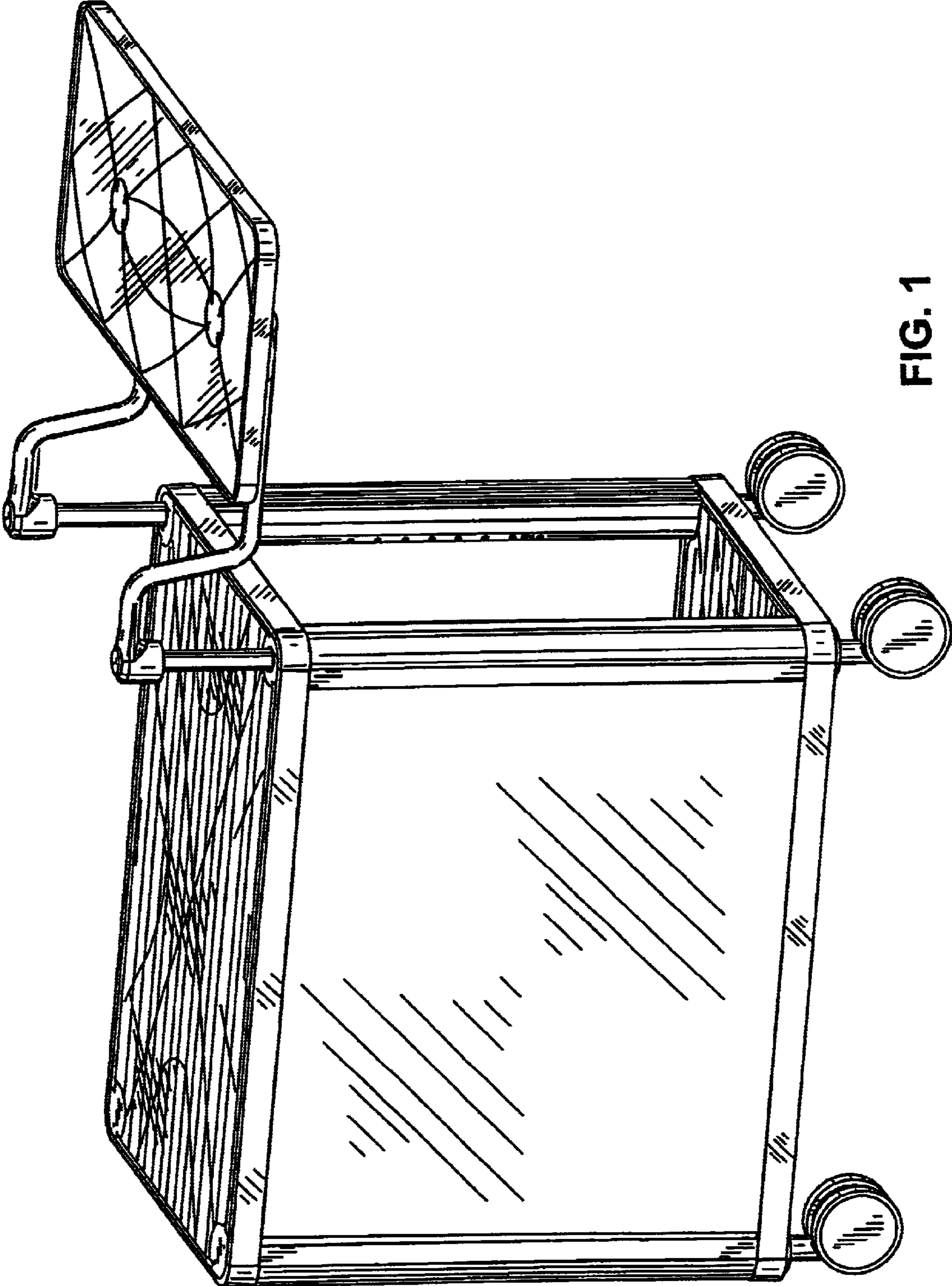


FIG. 1

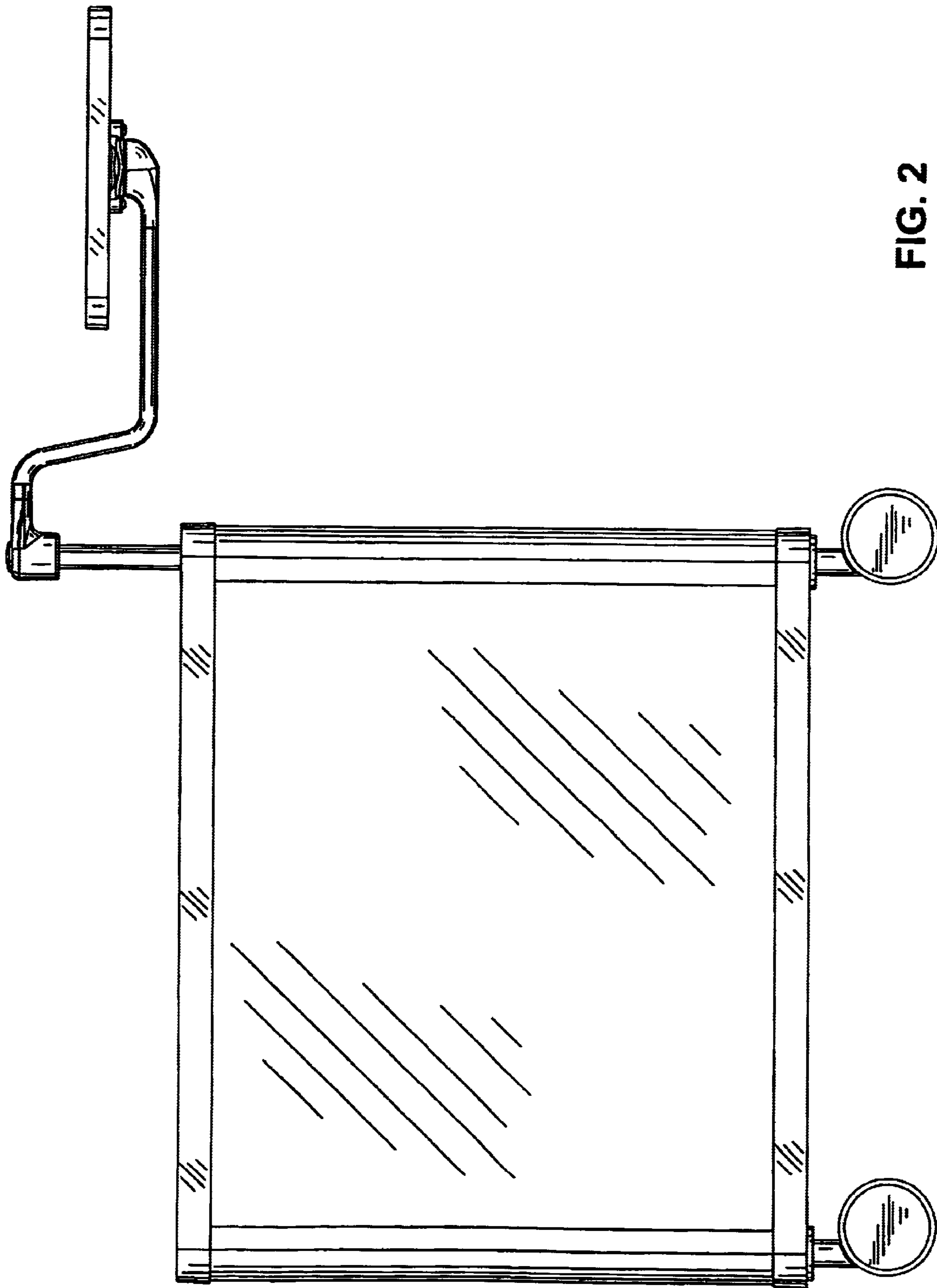


FIG. 2

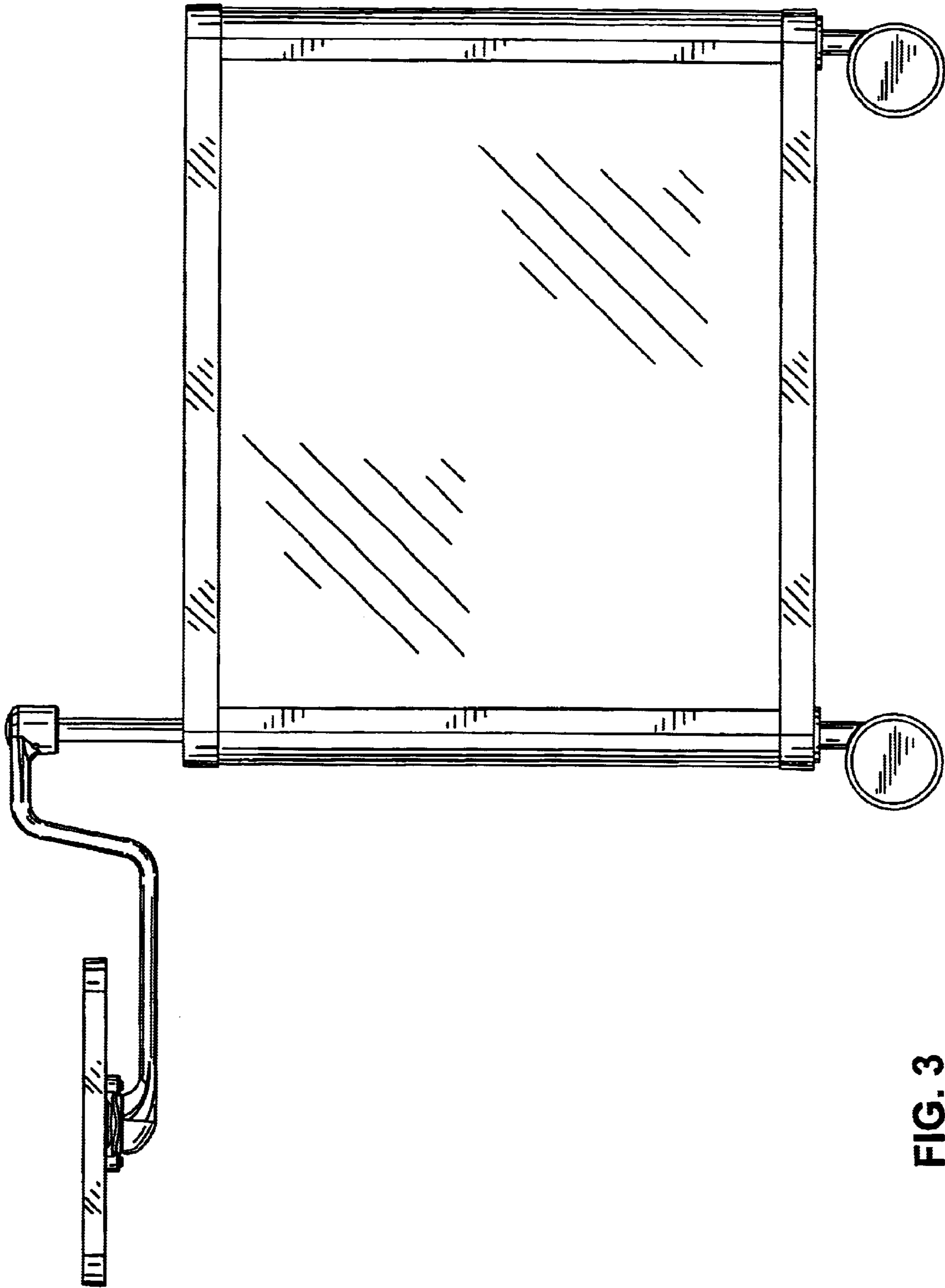


FIG. 3

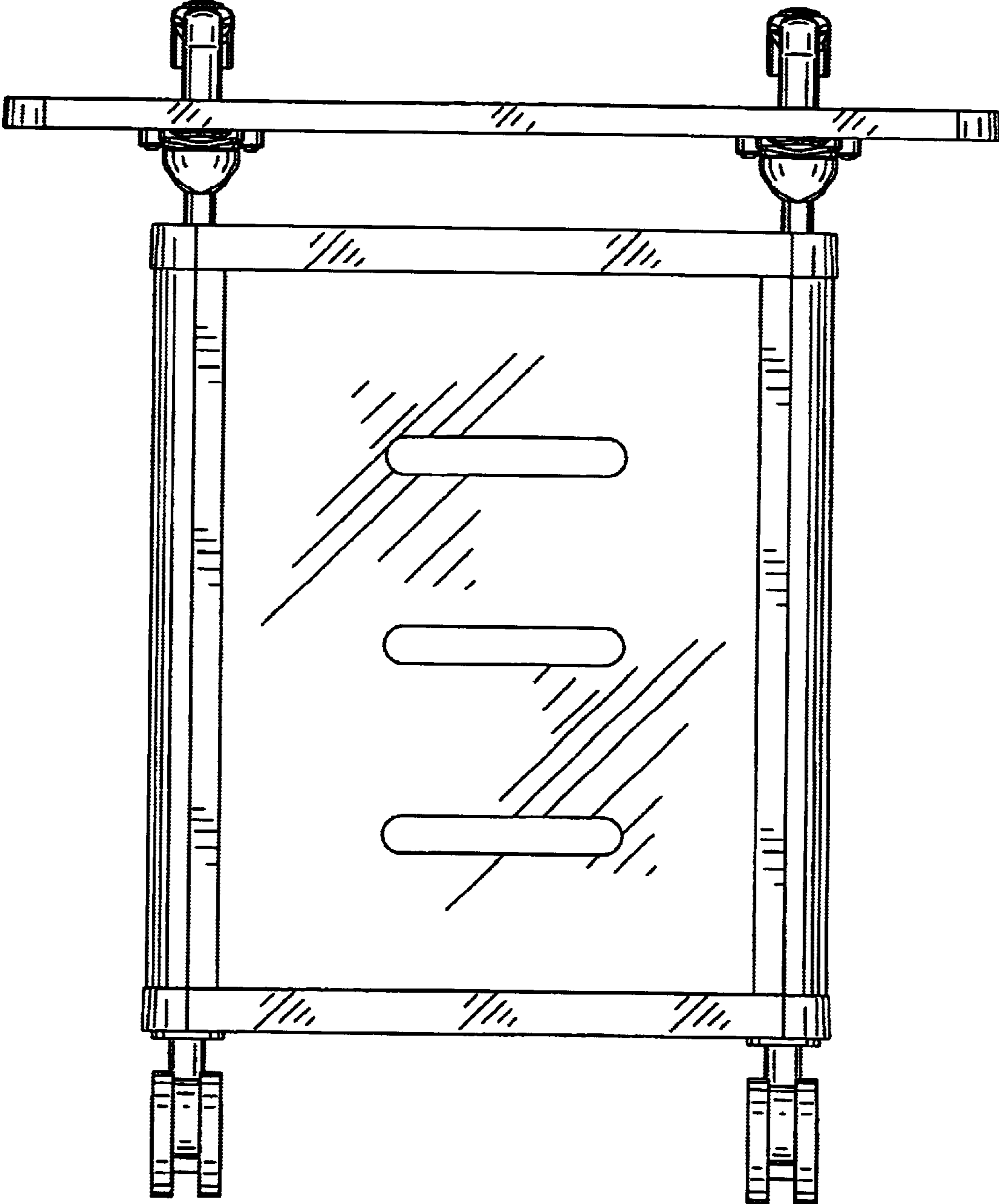


FIG. 4

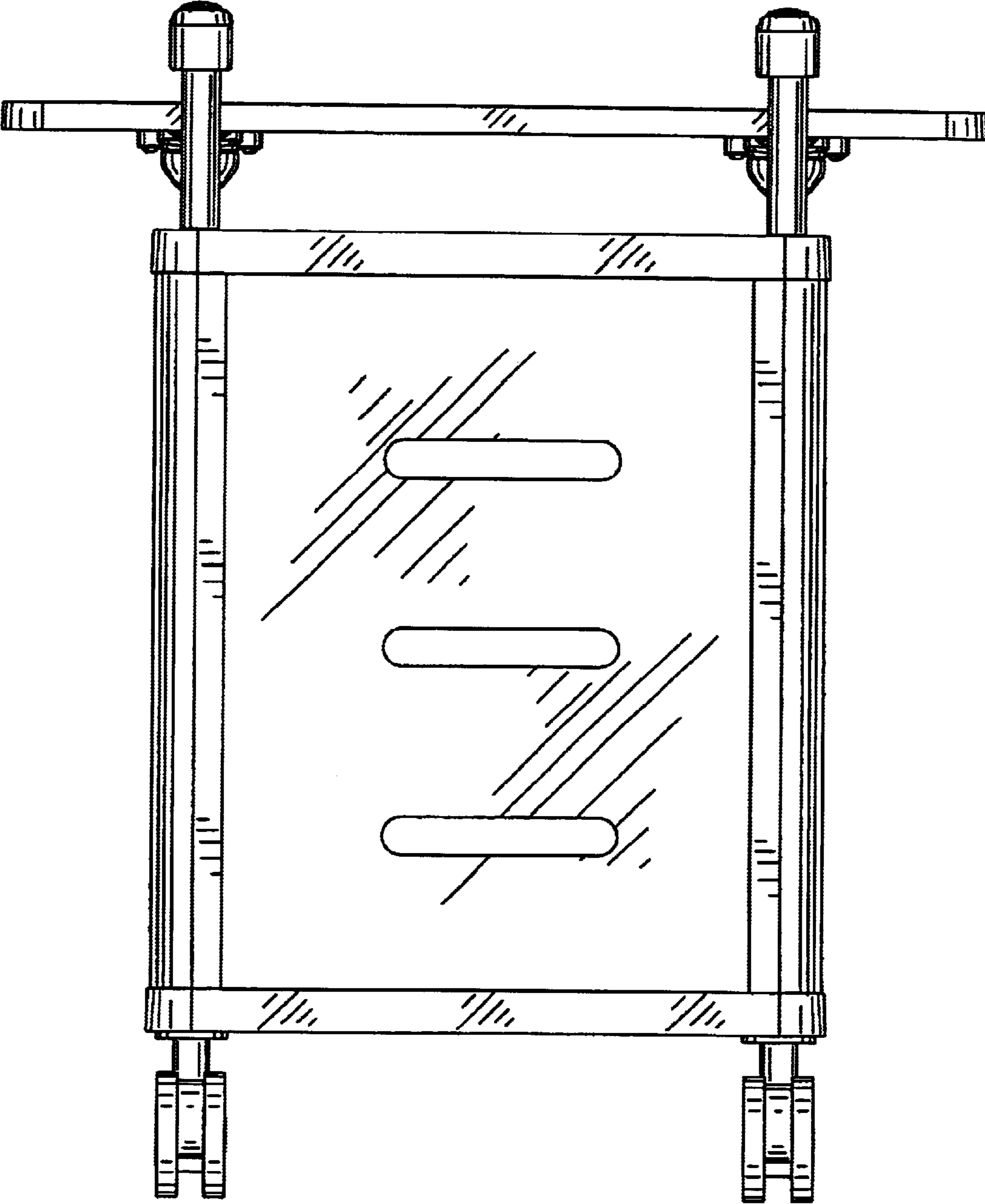


FIG. 5

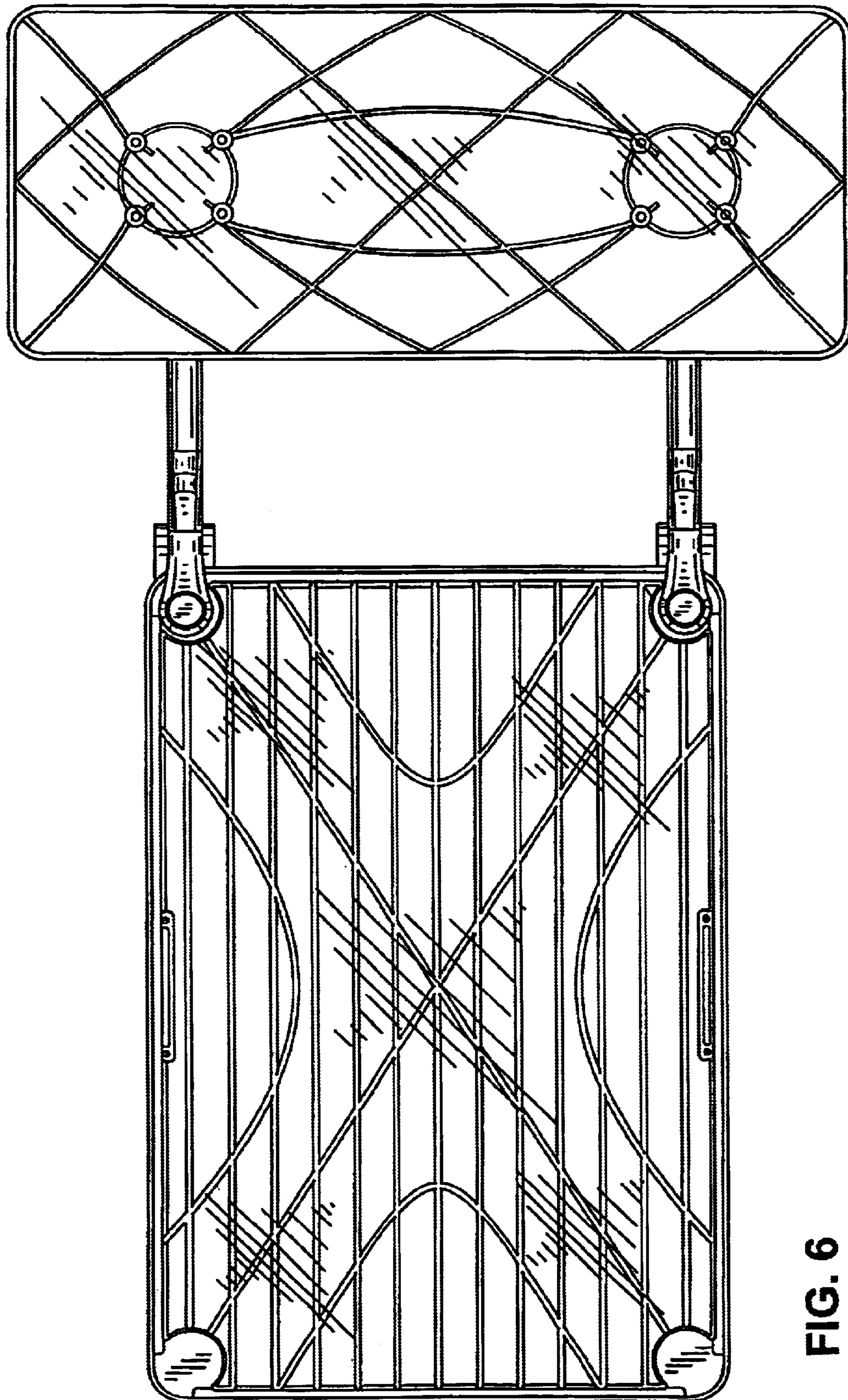


FIG. 6

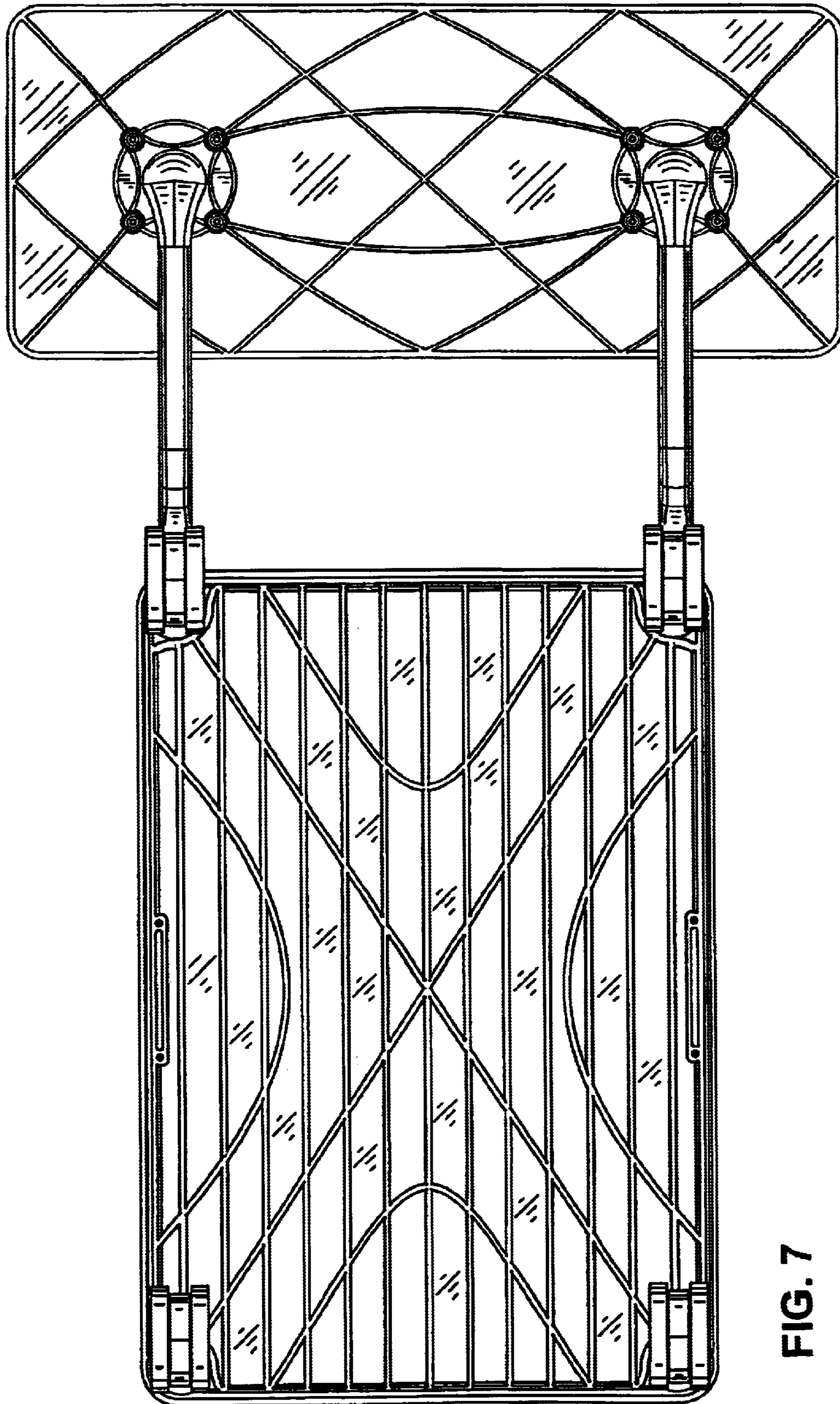


FIG. 7

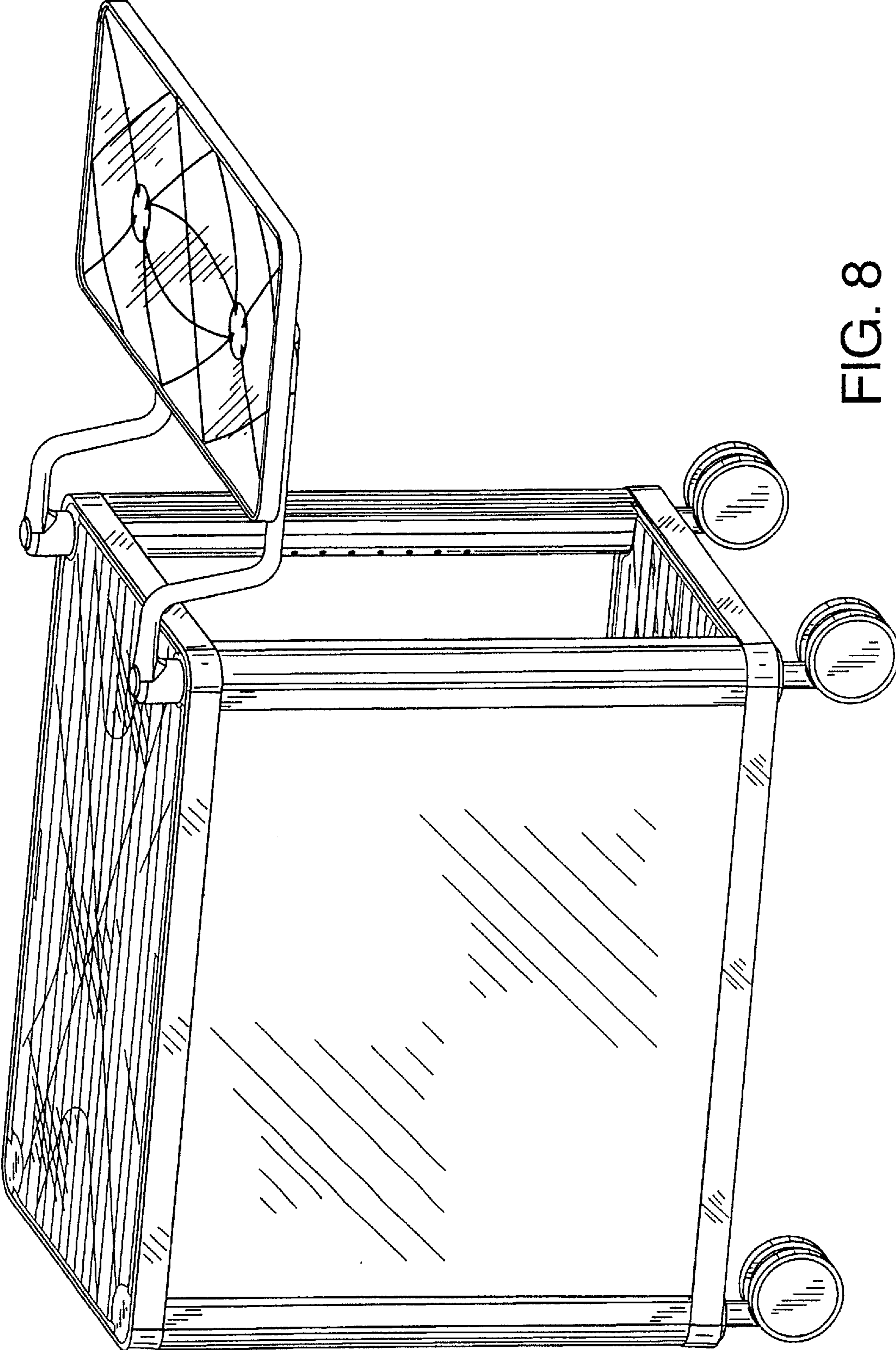


FIG. 8

UNITED STATES PATENT AND TRADEMARK OFFICE
CERTIFICATE OF CORRECTION

PATENT NO. : Des. 510,168 S
APPLICATION NO. : 29/205948
DATED : September 27, 2005
INVENTOR(S) : Ross Lovegrove and Sebastian Liedtke

Page 1 of 1

It is certified that error appears in the above-identified patent and that said Letters Patent is hereby corrected as shown below:

Title page.

Item [57], **DESCRIPTION**, delete "FIG. 8 is a perspective view of the cart of FIG. 1 of our new design with the adjustable keyboard support shown in phantom lines to illustrate a lowered position. The phantom lines in FIG. 8 are for illustrative purposes only to show the adjustable nature of the keyboard support and form no part of the claimed design." and insert -- FIG. 8 is a perspective view of the cart of FIG. 1 showing the shelf in an alternative position --.

Signed and Sealed this

Twenty-seventh Day of June, 2006

A handwritten signature in black ink on a dotted background. The signature reads "Jon W. Dudas" in a cursive style.

JON W. DUDAS

Director of the United States Patent and Trademark Office