



US00D510166S

(12) **United States Design Patent**
Kitchens

(10) **Patent No.:** **US D510,166 S**

(45) **Date of Patent:** **** Sep. 27, 2005**

(54) **PORTABLE PLASTIC STORE BAG HOLDER FOR TRASH RECEIPT**

6,843,453 B1 * 1/2005 Rogers 248/99

* cited by examiner

(76) Inventor: **Gary E. Kitchens**, 9101 Newhill Dr., #72, Sacramento, CA (US) 95826

Primary Examiner—Cynthia E. Ramirez

(74) *Attorney, Agent, or Firm*—Mark C. Jacobs

(**) Term: **14 Years**

(57) **CLAIM**

(21) Appl. No.: **29/204,109**

The ornamental design for portable plastic store bag holder for trash receipt, as shown and described.

(22) Filed: **Apr. 26, 2004**

DESCRIPTION

(51) **LOC (8) Cl.** **09-09**

(52) **U.S. Cl.** **D34/5**

(58) **Field of Search** D34/1, 4, 5, 6;
248/95, 97, 98, 100, 101, 121, 153; 220/908,
909, 908.1

FIG. 1 is a perspective view of the first embodiment of a portable bag holder of this design with a mounted plastic bag shown in phantom lines;

FIG. 2 is a top plan view of this design;

FIG. 3 is a front elevational view of the first embodiment;

FIG. 4 is a side elevational view of the first and second embodiments of this design;

FIG. 5 is a rear elevational view of the first embodiment;

FIG. 6 is a bottom plan view of the first embodiment;

FIG. 7 is a perspective view of the second embodiment of this design;

FIG. 8 is a front elevational view of the second embodiment;

FIG. 9 is a top plan view of the second embodiment;

FIG. 10 is a rear elevational view of the second embodiment;

and,

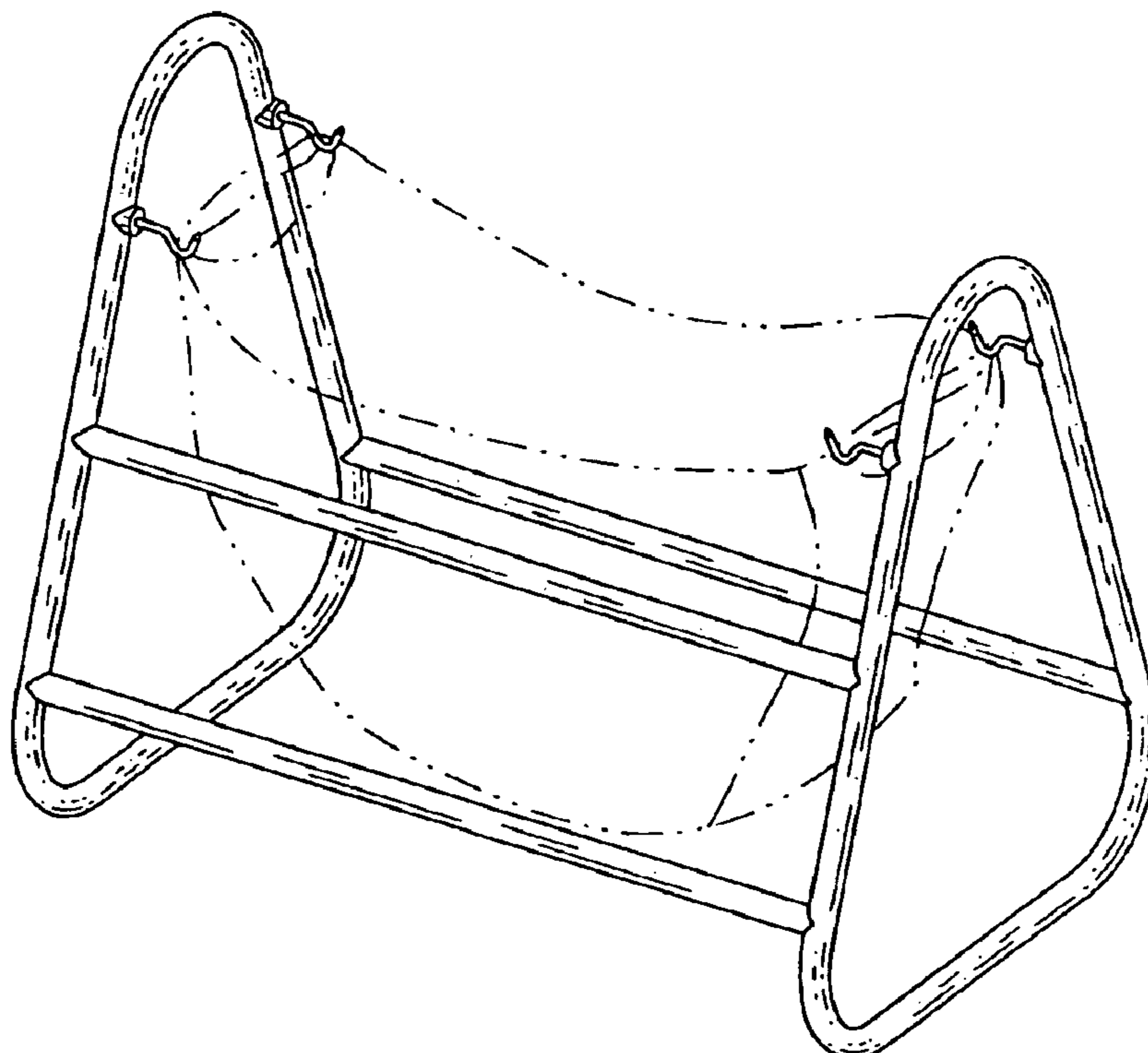
FIG. 11 is a bottom plan view of the second embodiment of the plastic bag holder of this design.

(56) **References Cited**

U.S. PATENT DOCUMENTS

2,470,977	A	*	5/1949	Chidsey, Jr.	248/97
2,914,281	A	*	11/1959	Johnson	248/98
3,352,520	A	*	11/1967	Bumgarner et al.	248/99
4,307,861	A	*	12/1981	Simpson et al.	248/97
4,921,193	A	*	5/1990	Benesch	248/97
D341,688	S	*	11/1993	Binkley et al.	D34/5
5,350,142	A	*	9/1994	Kurtzman et al.	248/99
D367,139	S	*	2/1996	Brown	D34/5
D428,544	S	*	7/2000	Moffitt et al.	D34/5
D437,668	S	*	2/2001	Sanka	D34/5
6,508,443	B1	*	1/2003	Andreasson	248/97
D484,291	S	*	12/2003	Faden	D34/5

1 Claim, 3 Drawing Sheets



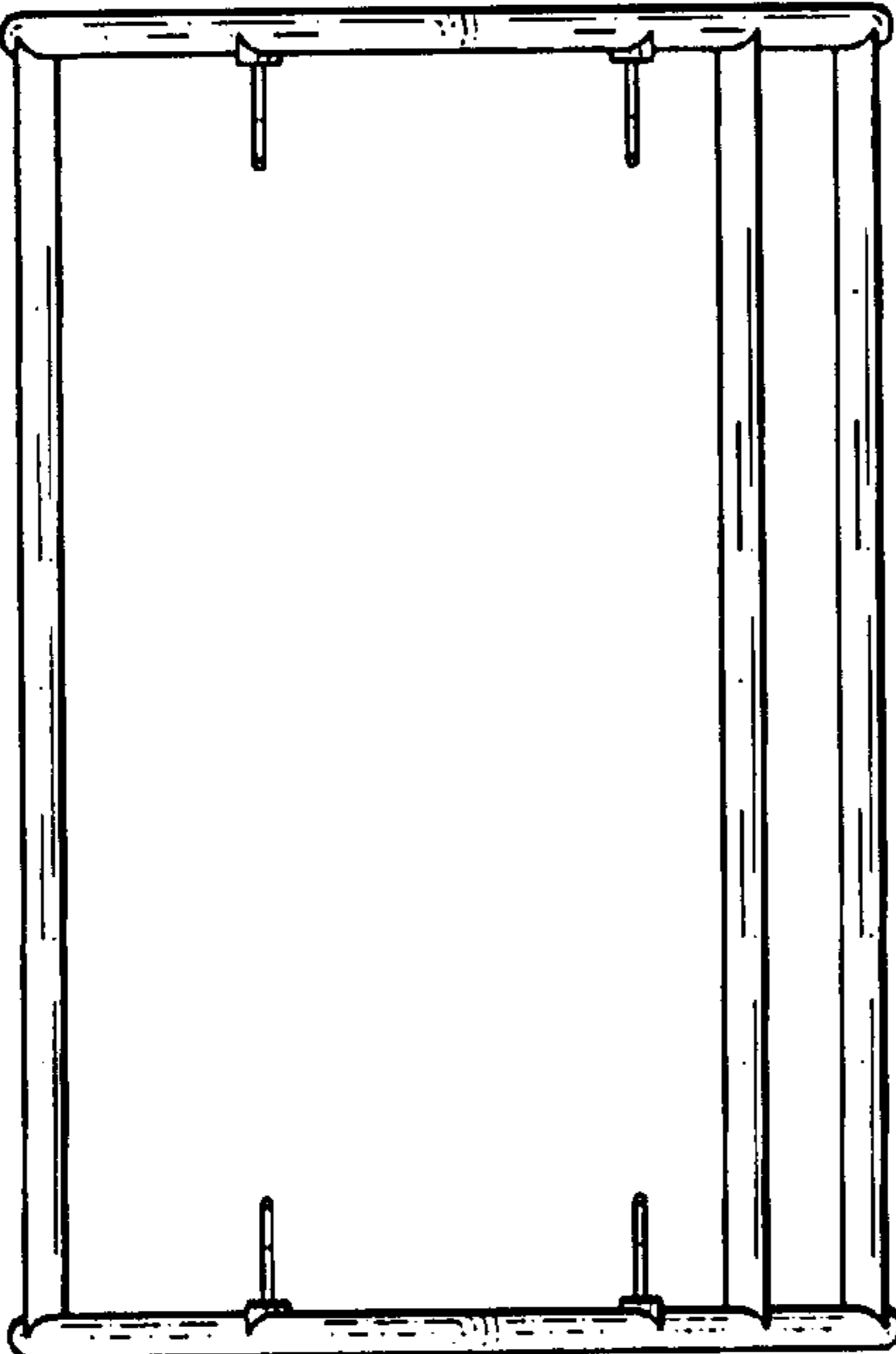


Fig. 2

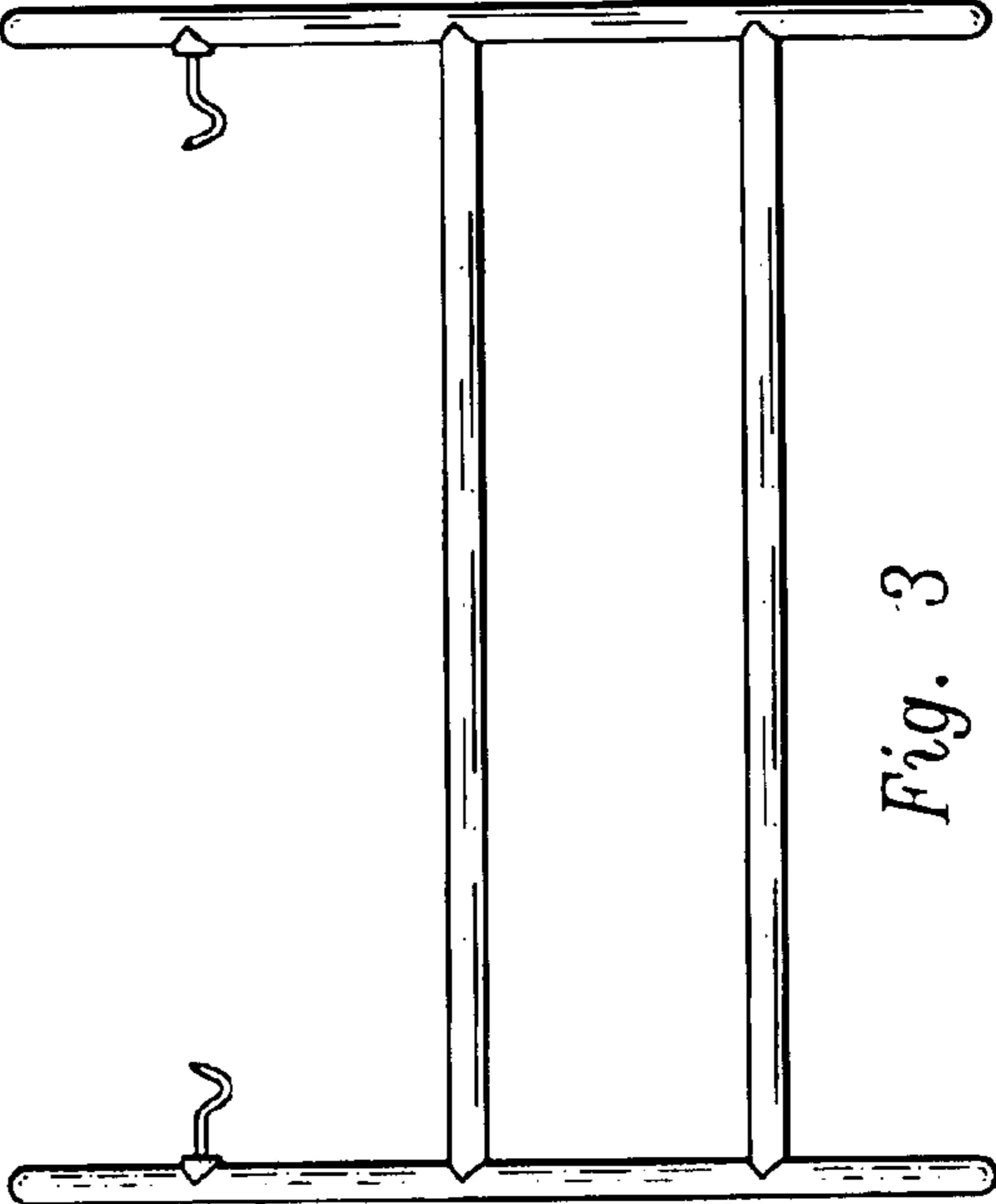


Fig. 3

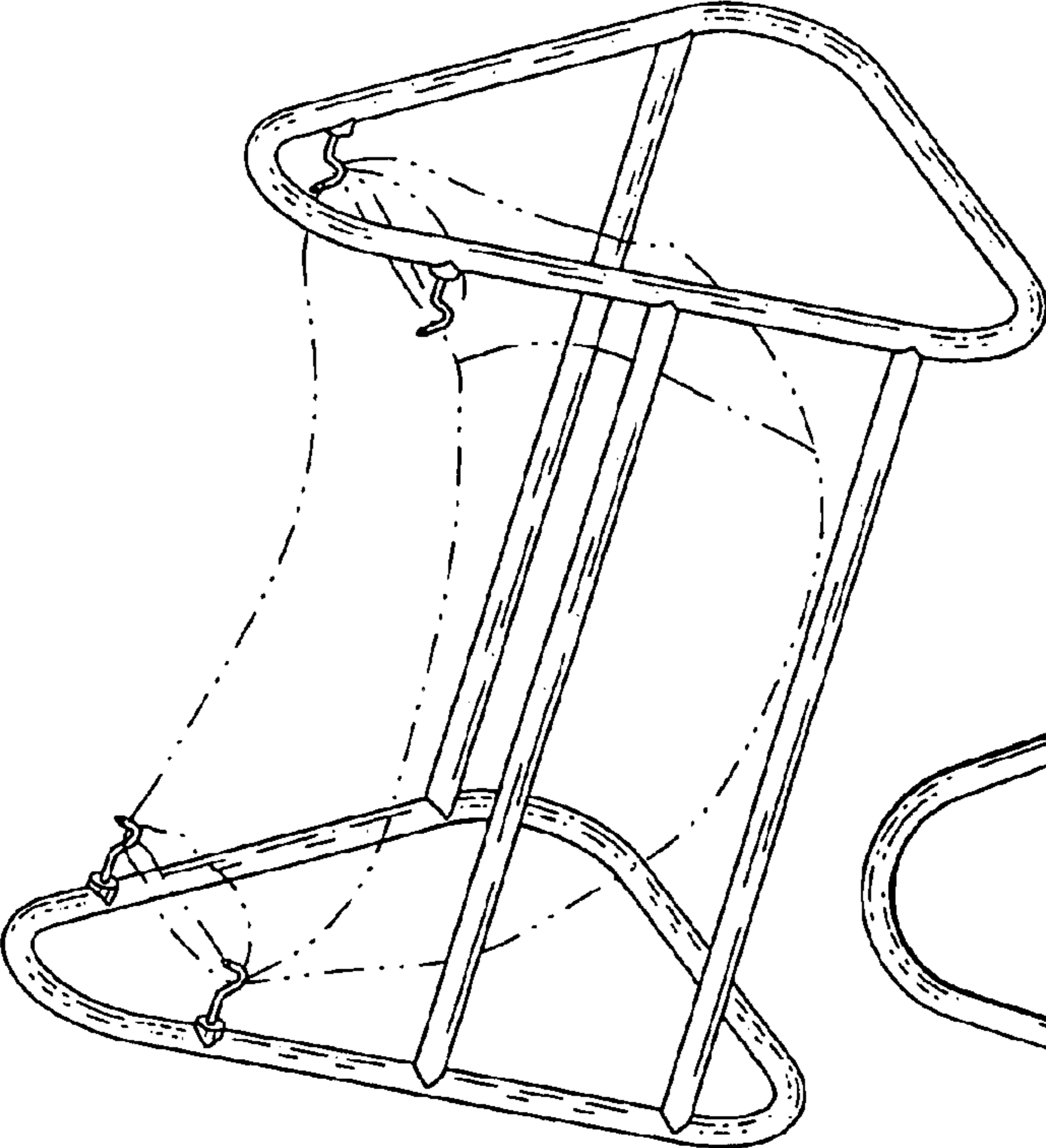


Fig. 1

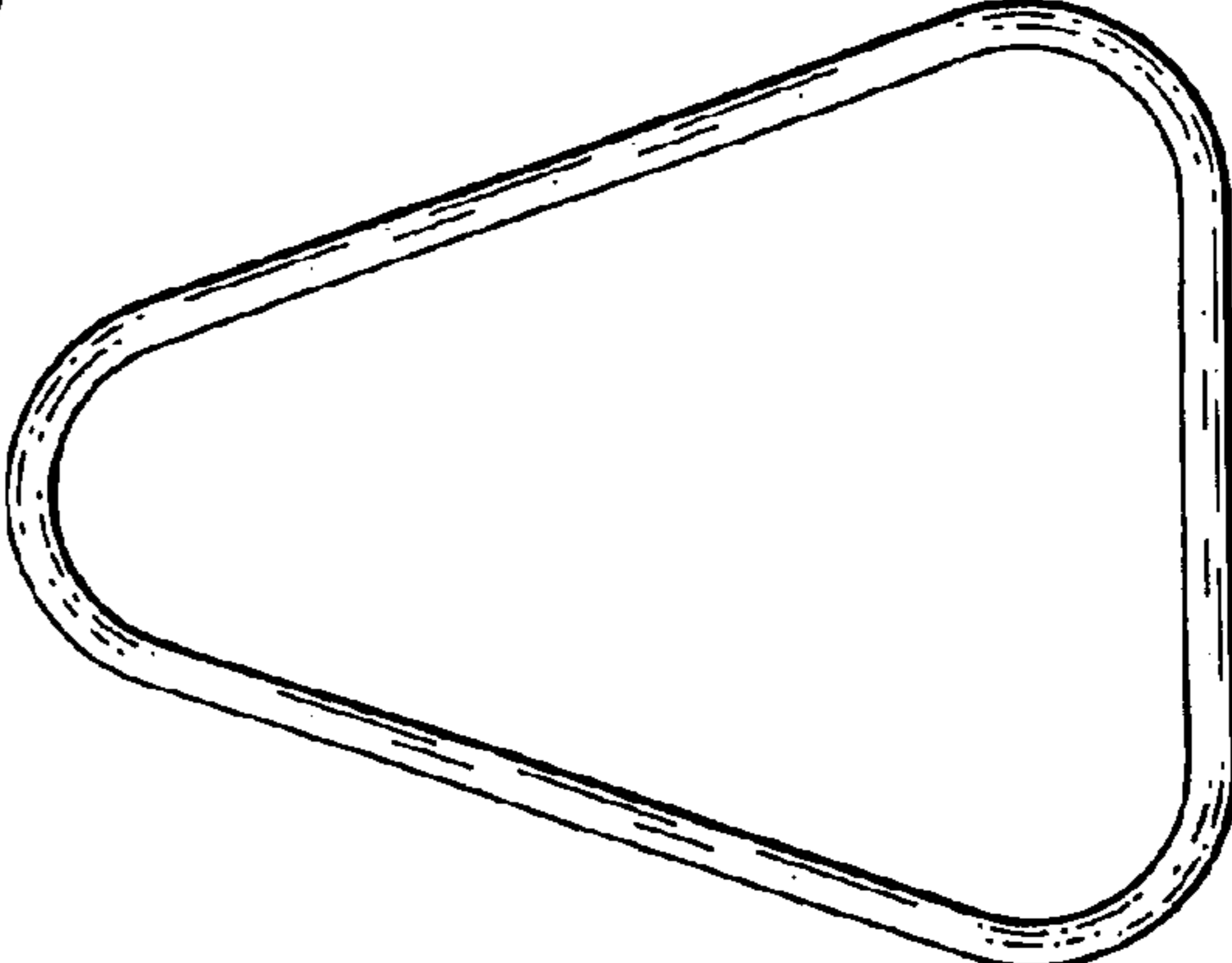
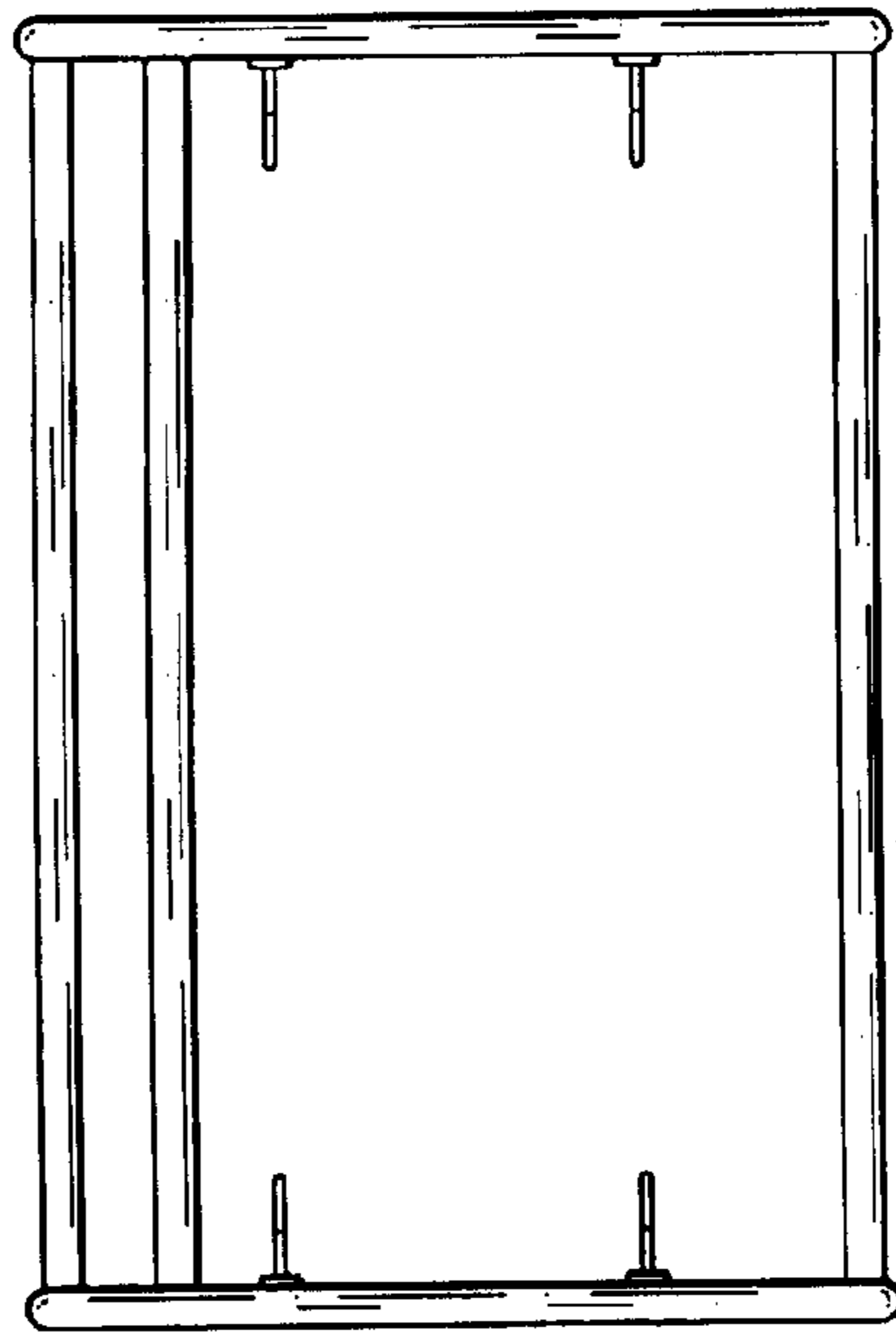
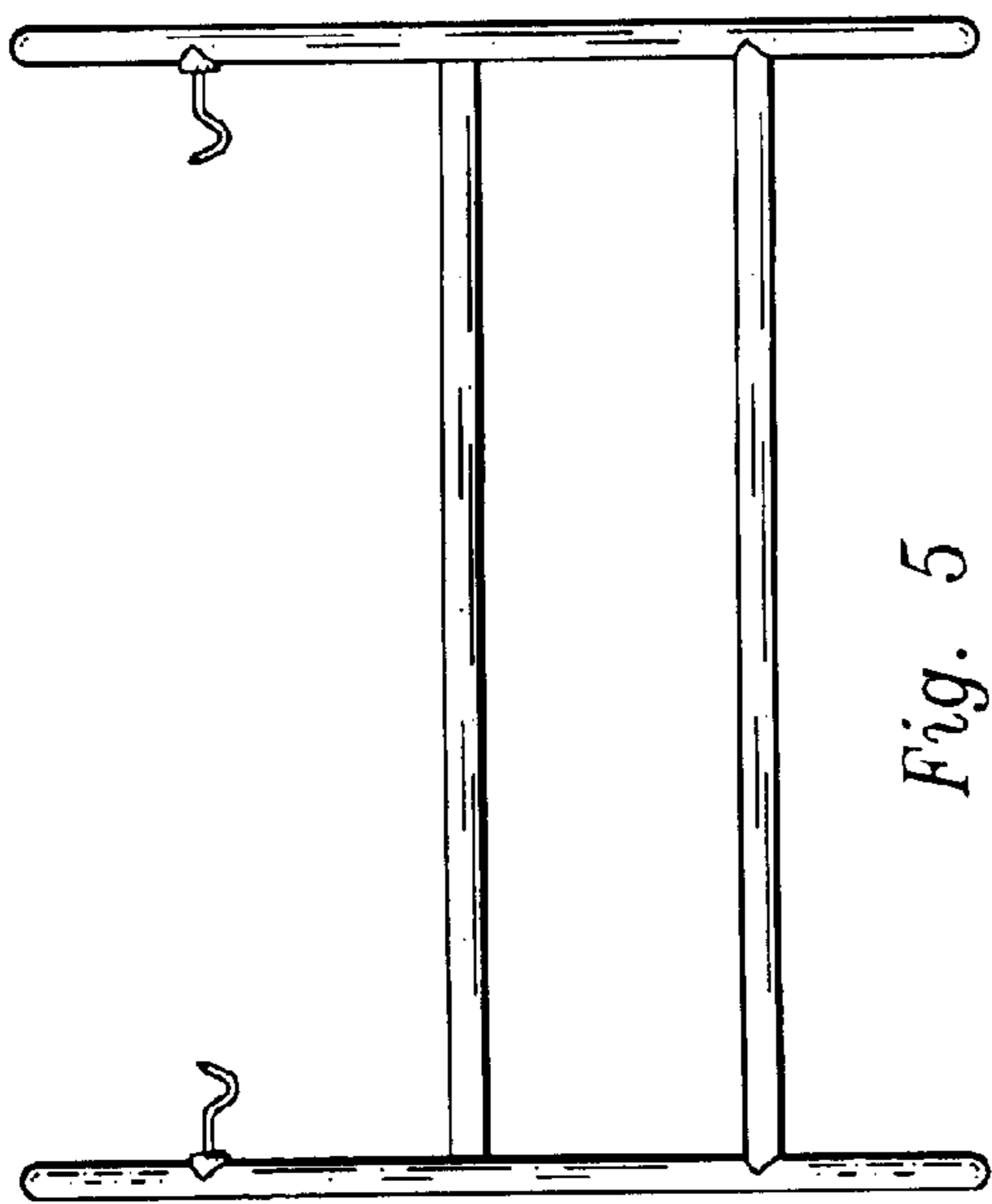
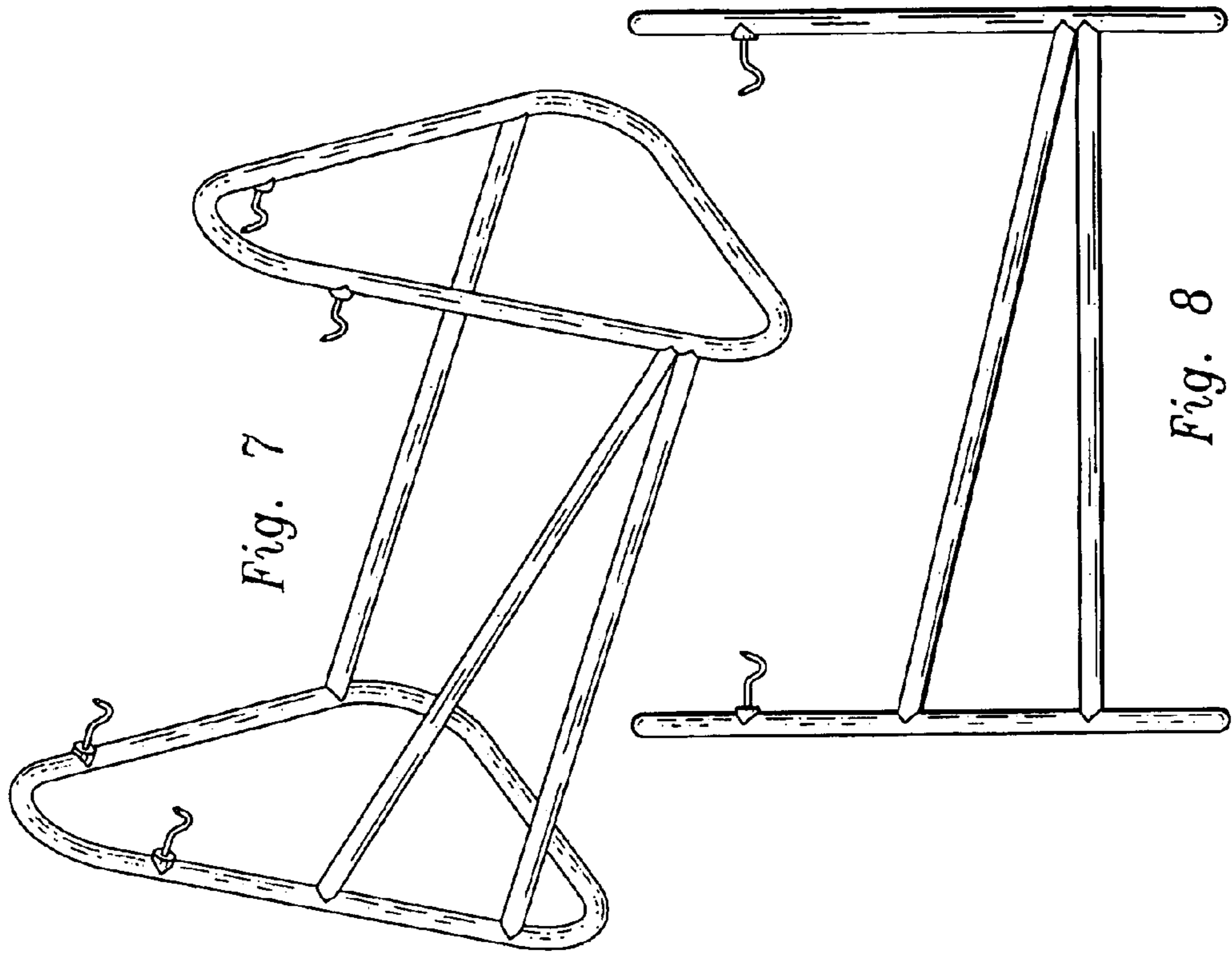


Fig. 4



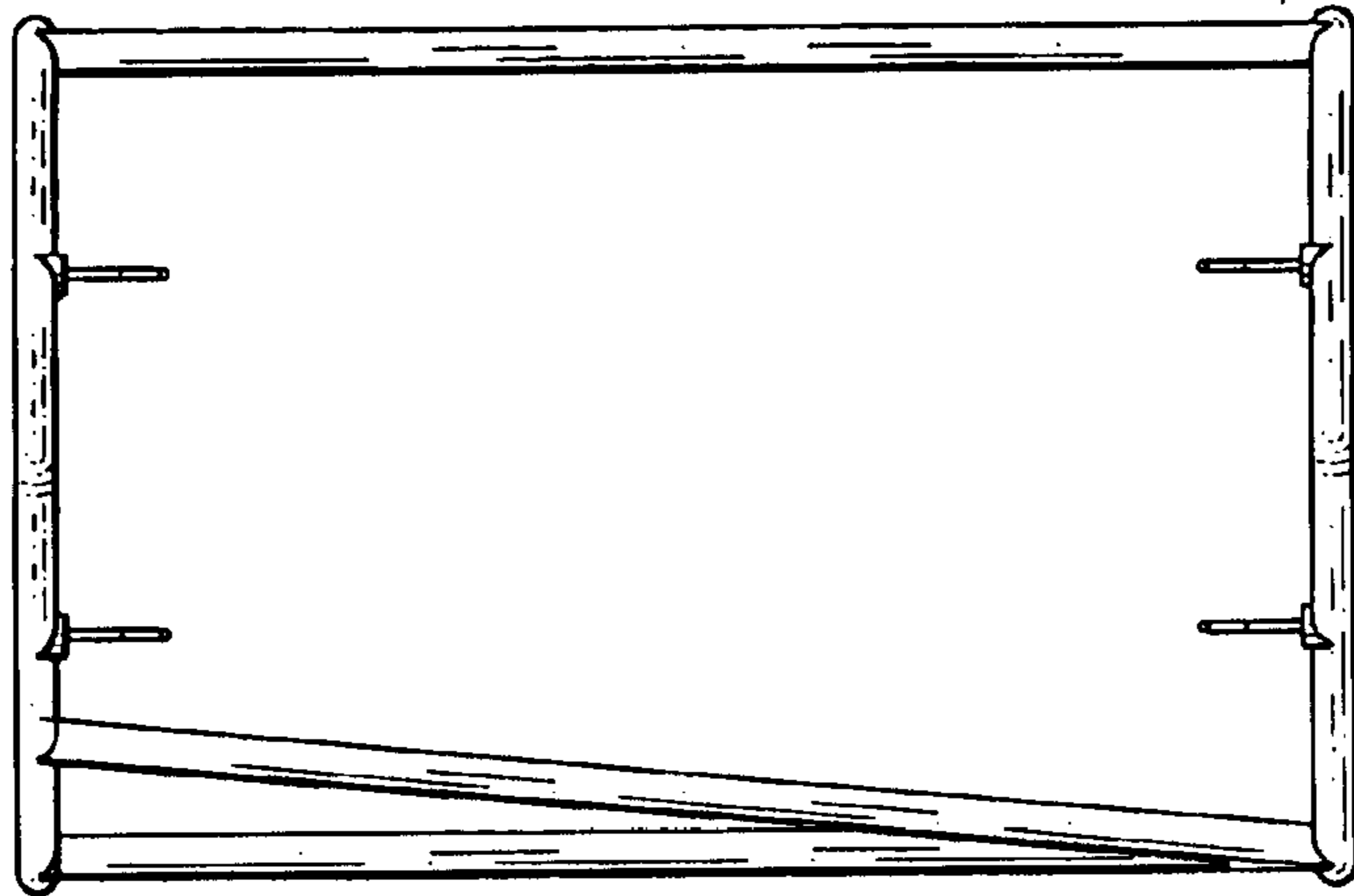


Fig. 9

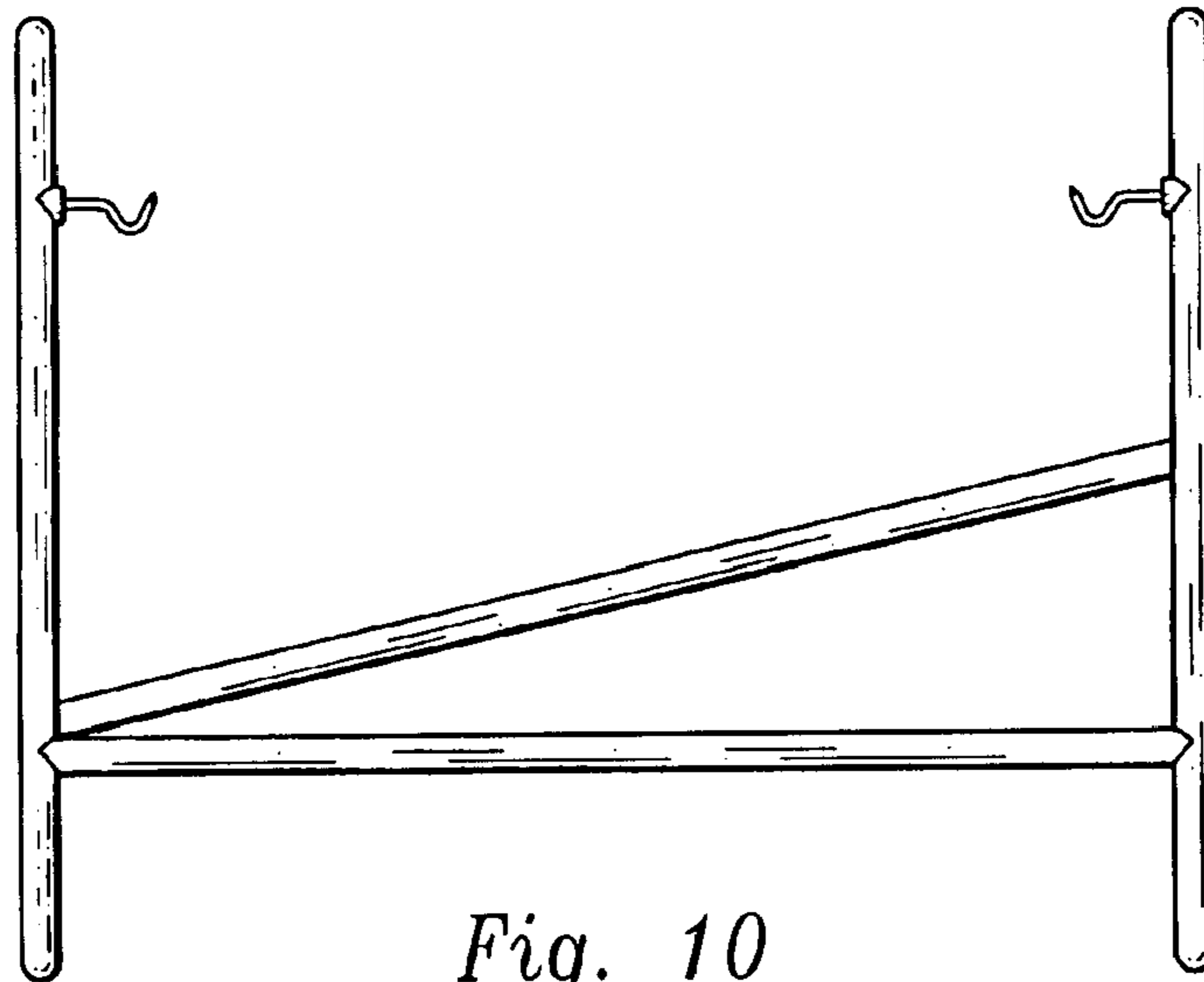


Fig. 10

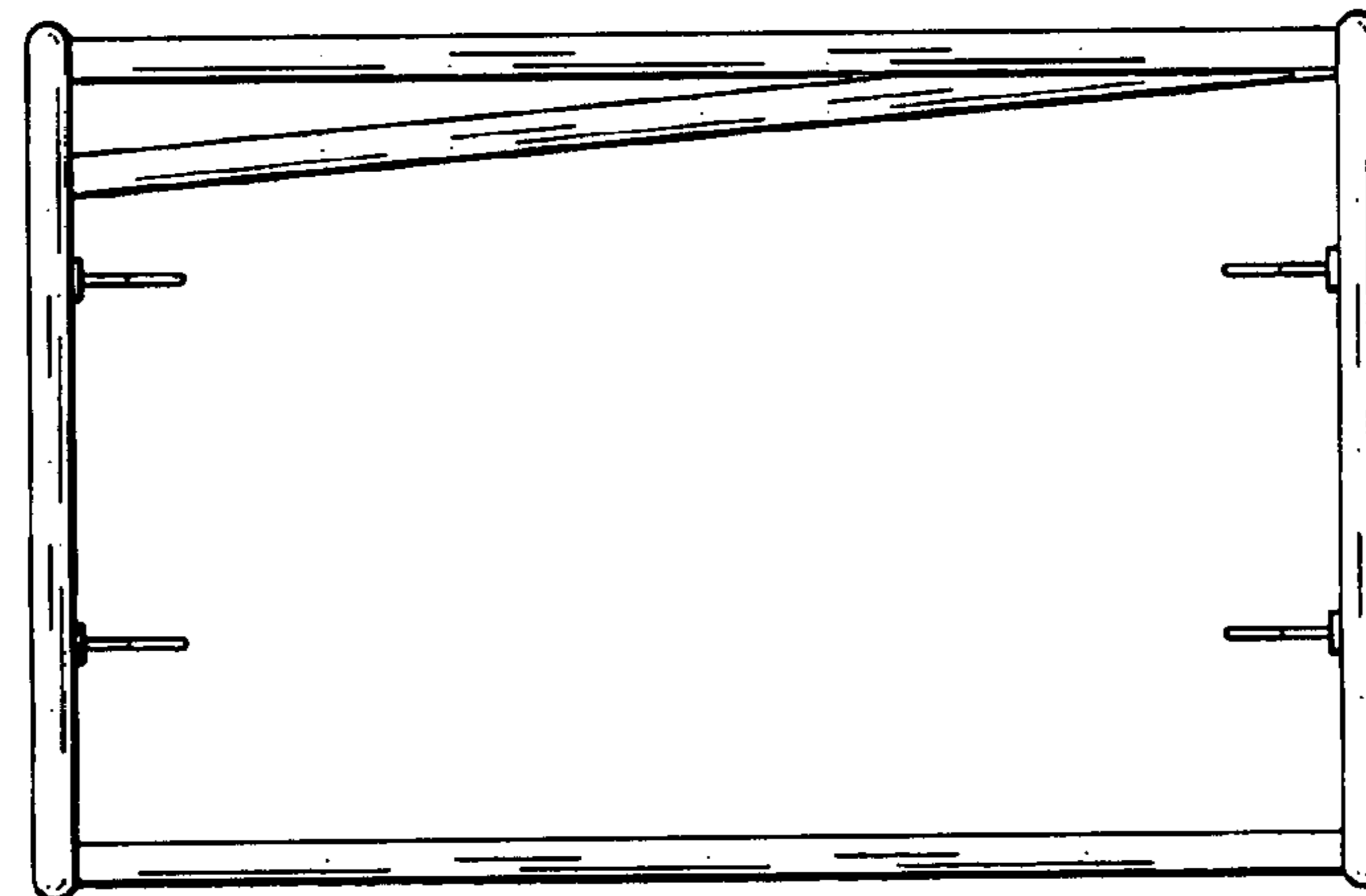


Fig. 11