



US00D510158S

(12) **United States Design Patent**
Cheung

(10) **Patent No.: US D510,158 S**

(45) **Date of Patent: ** Sep. 27, 2005**

(54) **ELECTRIC PEDI-CARE MACHINE**

(75) Inventor: **Chi Ho Cheung, Kwai Chung (HK)**

(73) Assignee: **Janford Development Limited (HK)**

(**) Term: **14 Years**

(21) Appl. No.: **29/192,687**

(22) Filed: **Oct. 28, 2003**

(51) **LOC (8) Cl. 28-03**

(52) **U.S. Cl. D28/58; D24/147**

(58) **Field of Search D28/56-62; 132/73, 132/73.6, 75.3, 75.6, 76.4; D24/147**

(56) **References Cited**

U.S. PATENT DOCUMENTS

- D249,565 S * 9/1978 Levin D28/58
- 5,640,979 A * 6/1997 Trenary 132/73.6
- 2003/0102002 A1 * 6/2003 Cho 132/73.6

* cited by examiner

Primary Examiner—Jennifer Rivard

(74) *Attorney, Agent, or Firm*—Salter & Michaelson

(57) **CLAIM**

The ornamental design for an electric pedi-care machine, as shown and described.

DESCRIPTION

FIG. 1 is a perspective view of an electric pedi-care machine, including interchangeable accessories, showing my new design;

FIG. 2 is a perspective view thereof;

FIG. 3 is a rear elevational view thereof;

FIG. 4 is a front elevational view thereof;

FIG. 5 is a left side elevational view thereof;

FIG. 6 is a right side elevational view thereof;

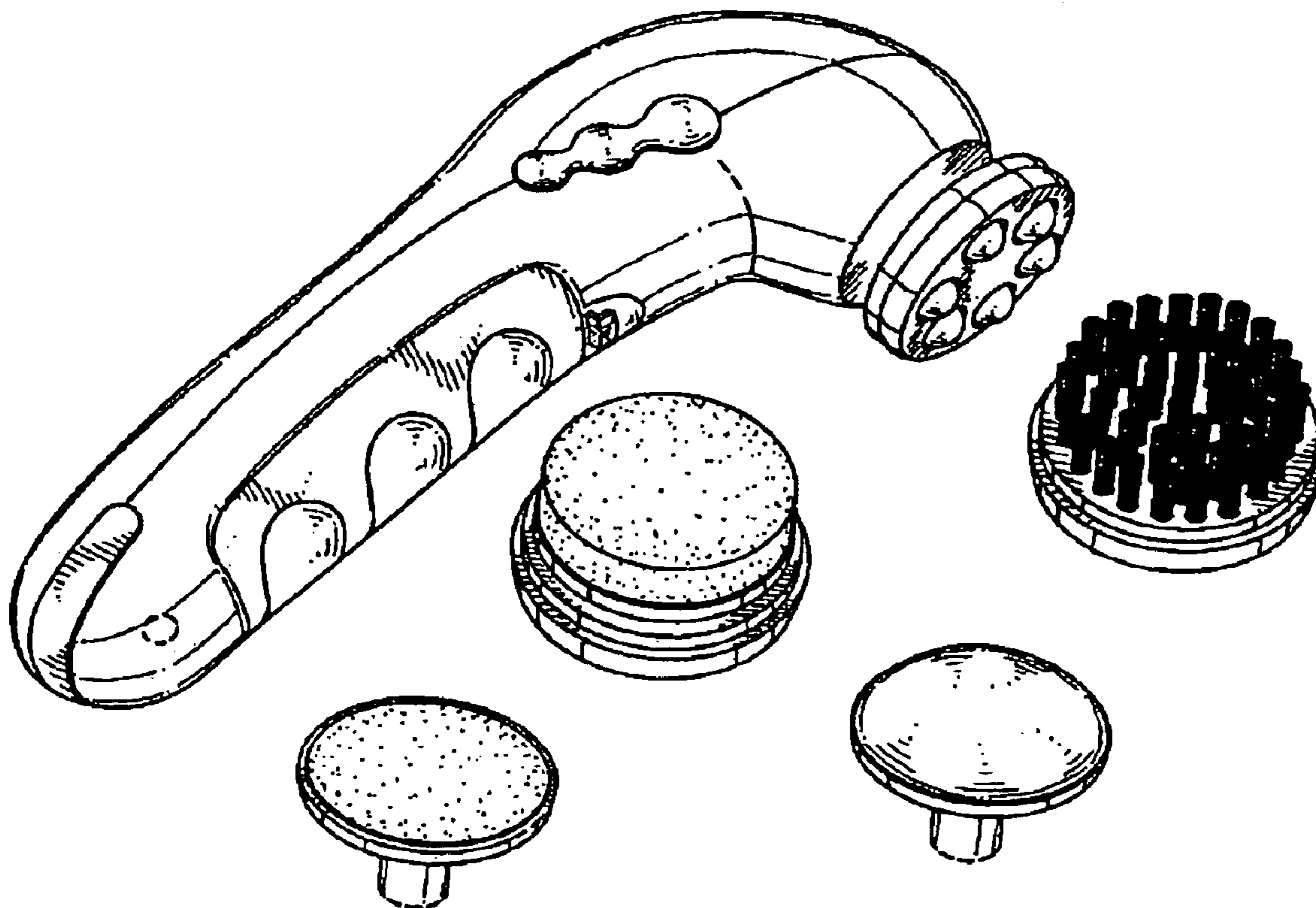
FIG. 7 is a top plan view thereof; and,

FIG. 8 is a bottom plan view thereof.

The portions shown in broken lines are included for illustrative purposes only and form no part of the claimed design.

For convenience of illustration, the electric pedi-care machine is disclosed without the interchangeable accessories in FIGS. 2 through 8.

1 Claim, 5 Drawing Sheets



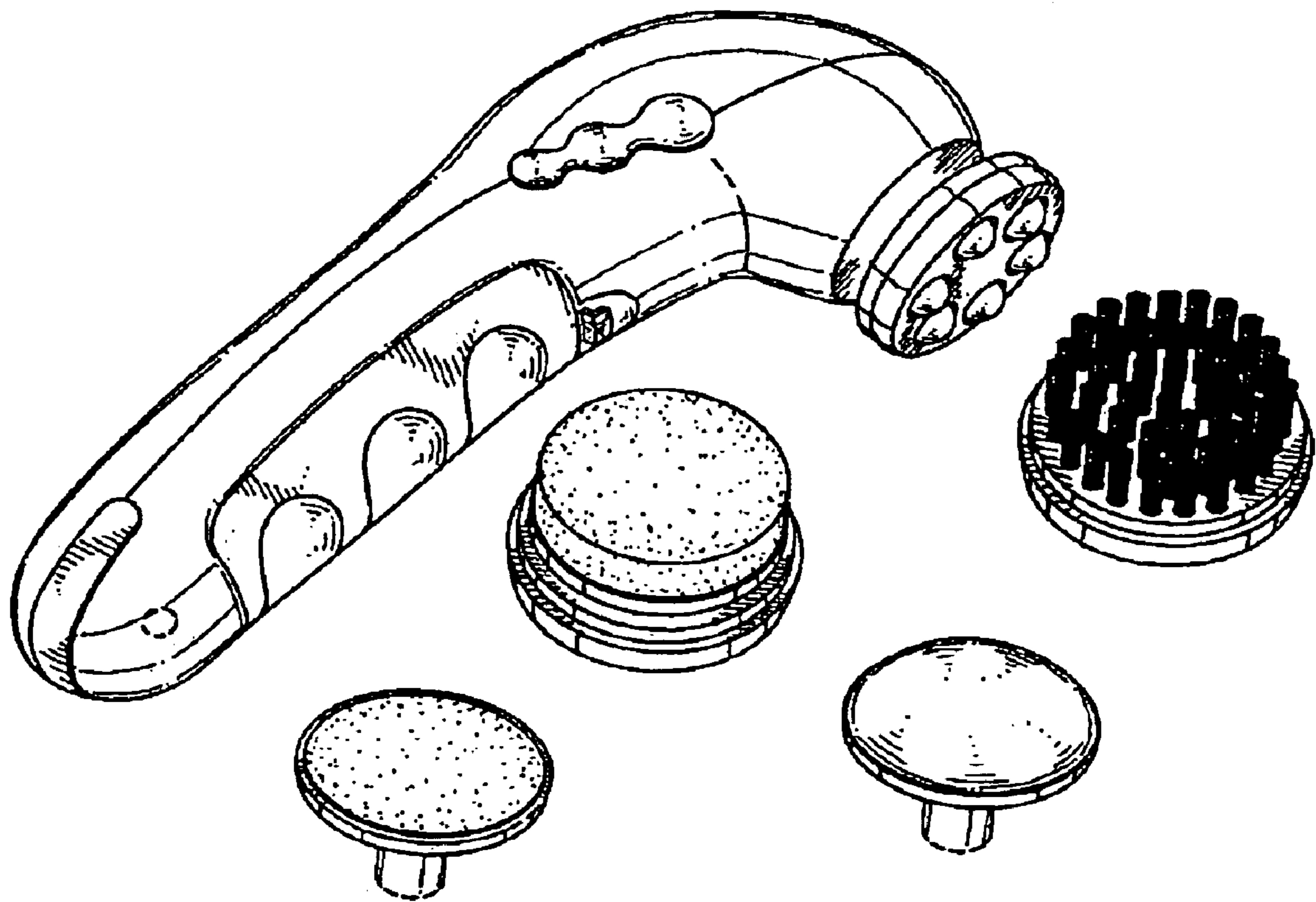


FIG. 1

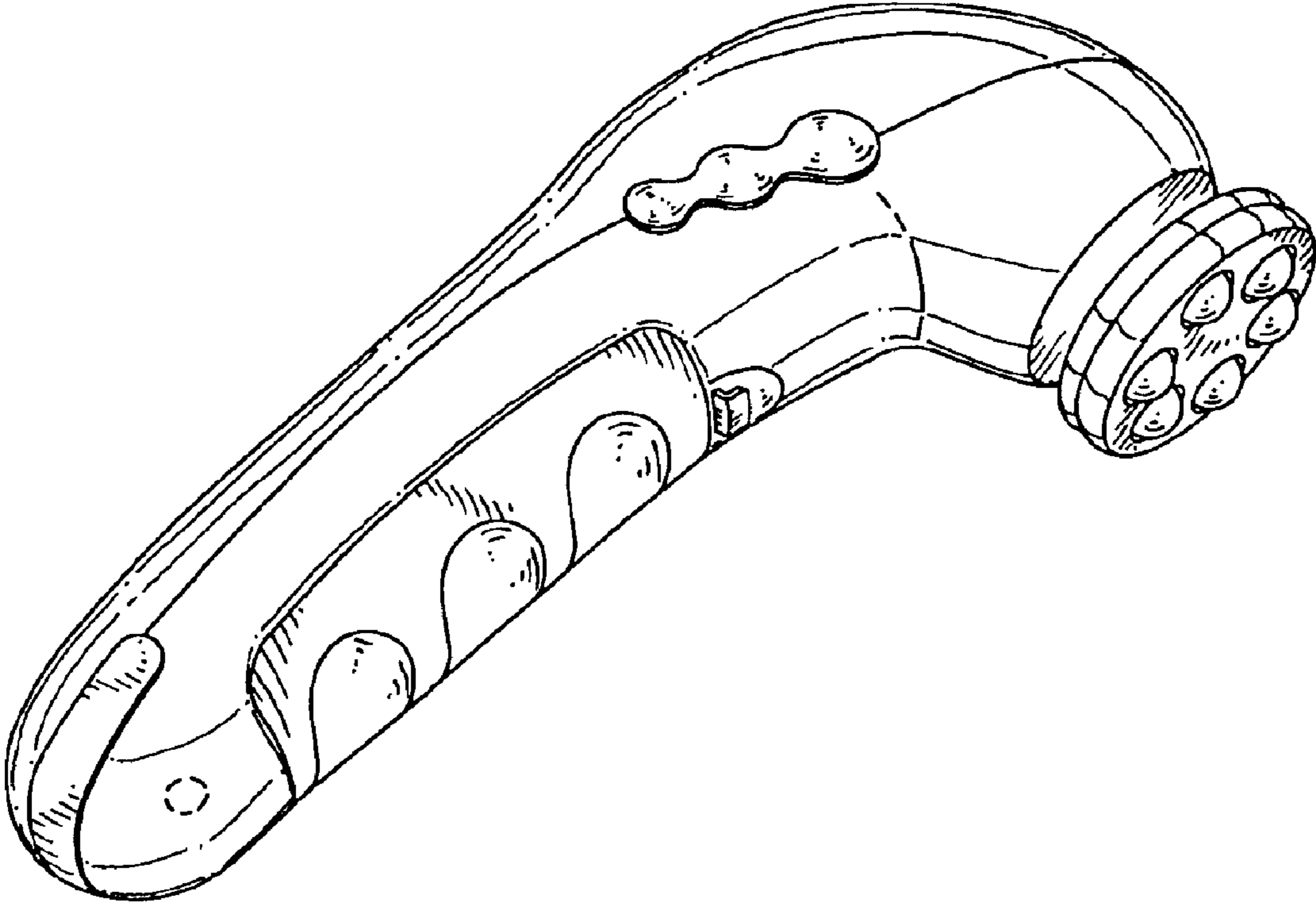


FIG. 2

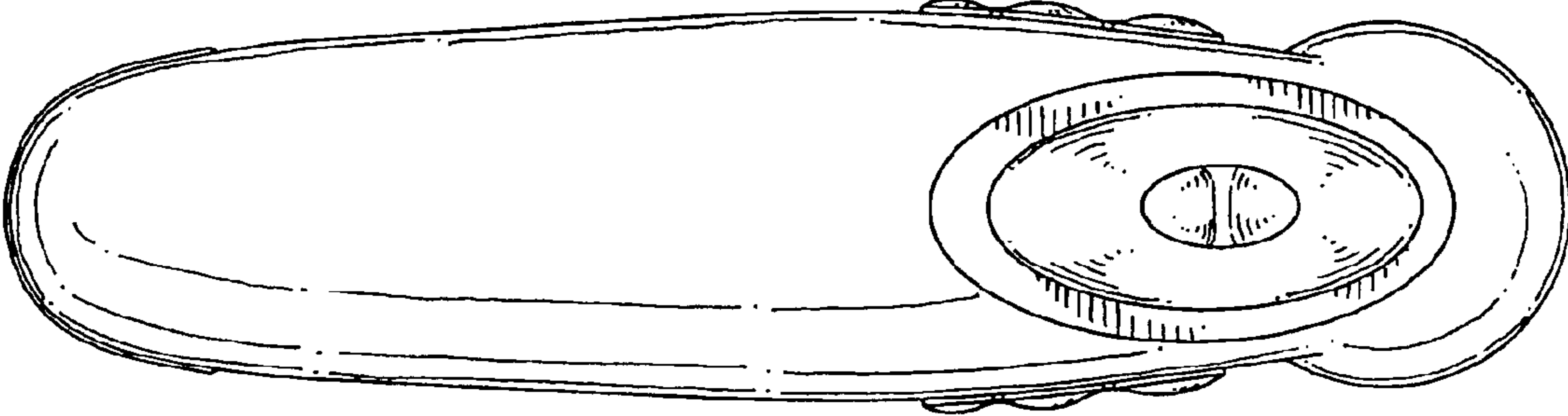


FIG. 3

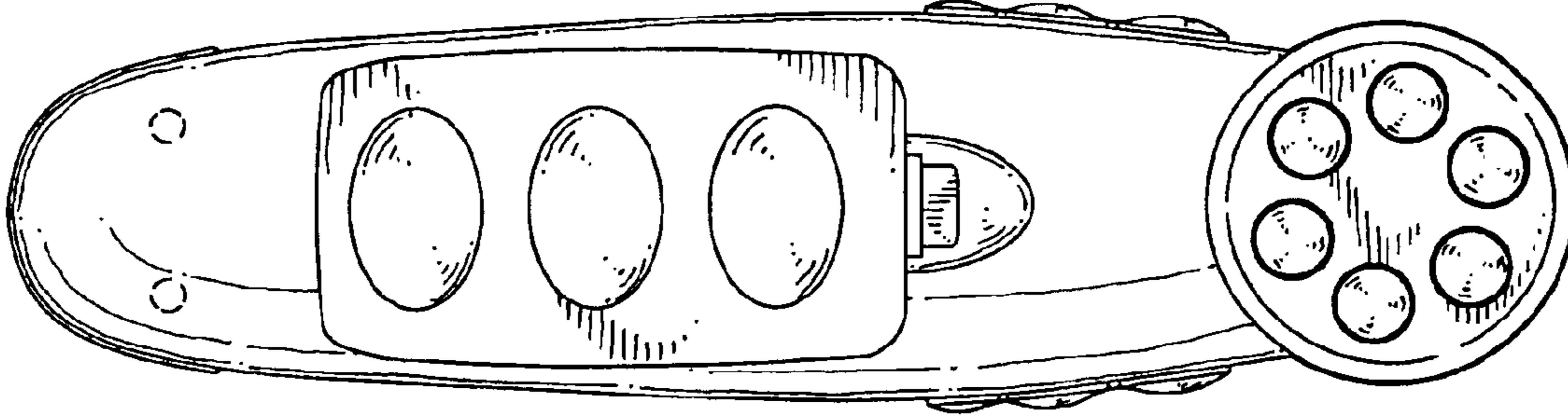


FIG. 4

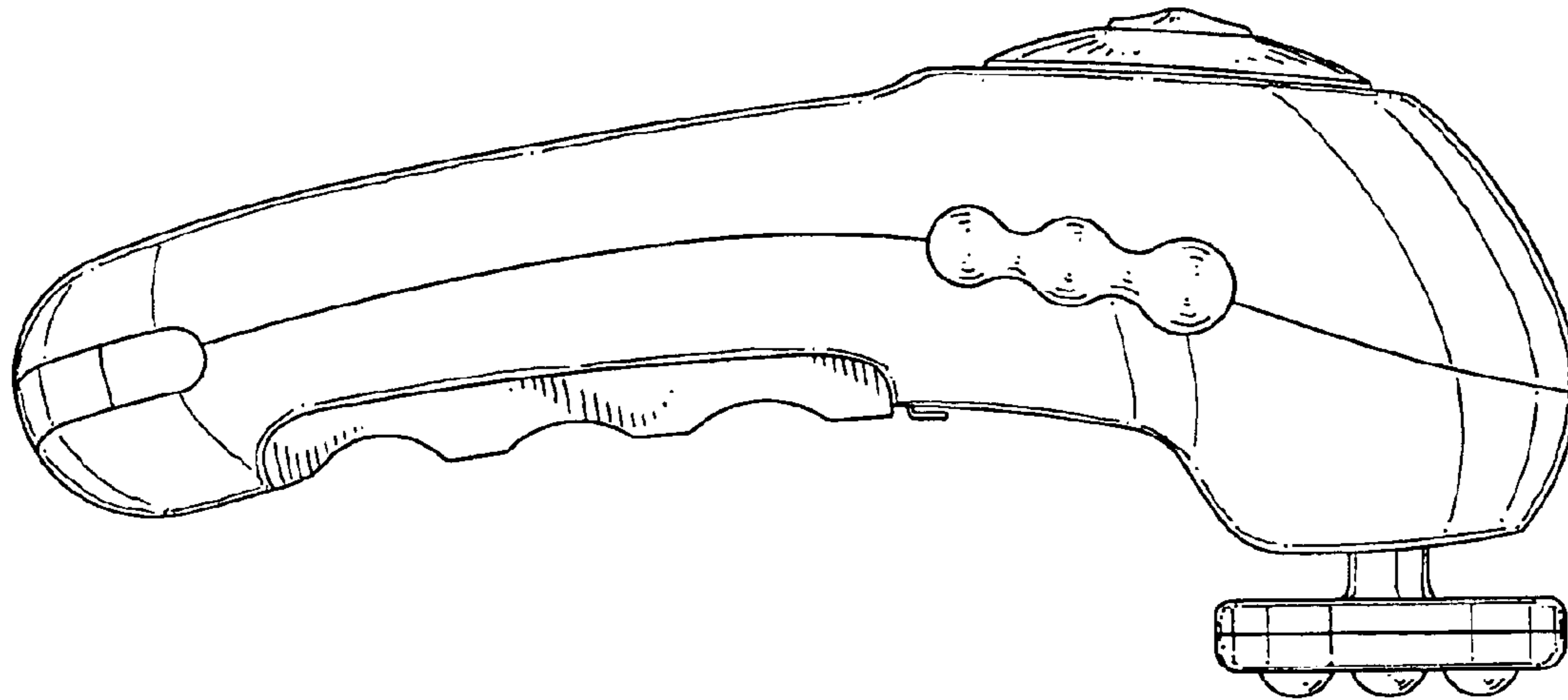


FIG. 5

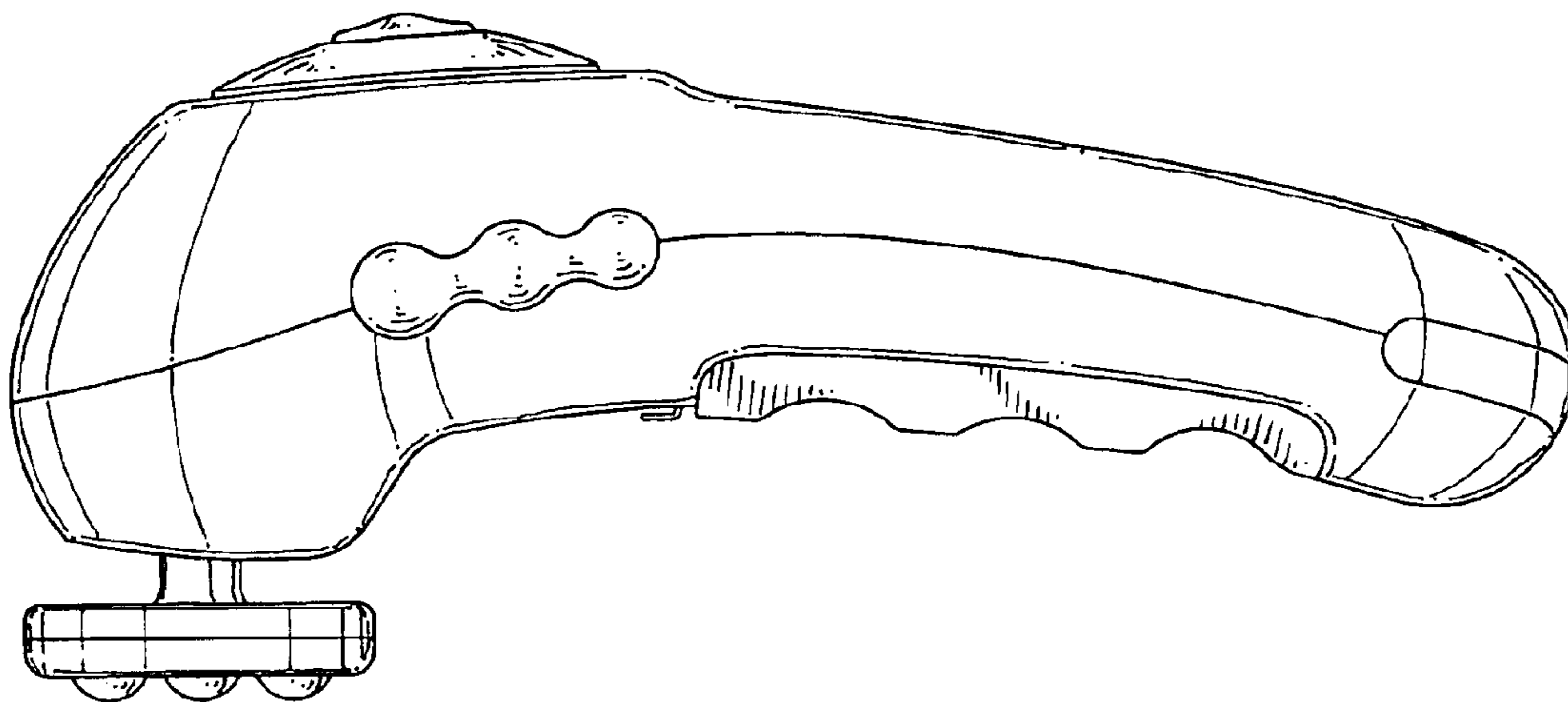


FIG. 6

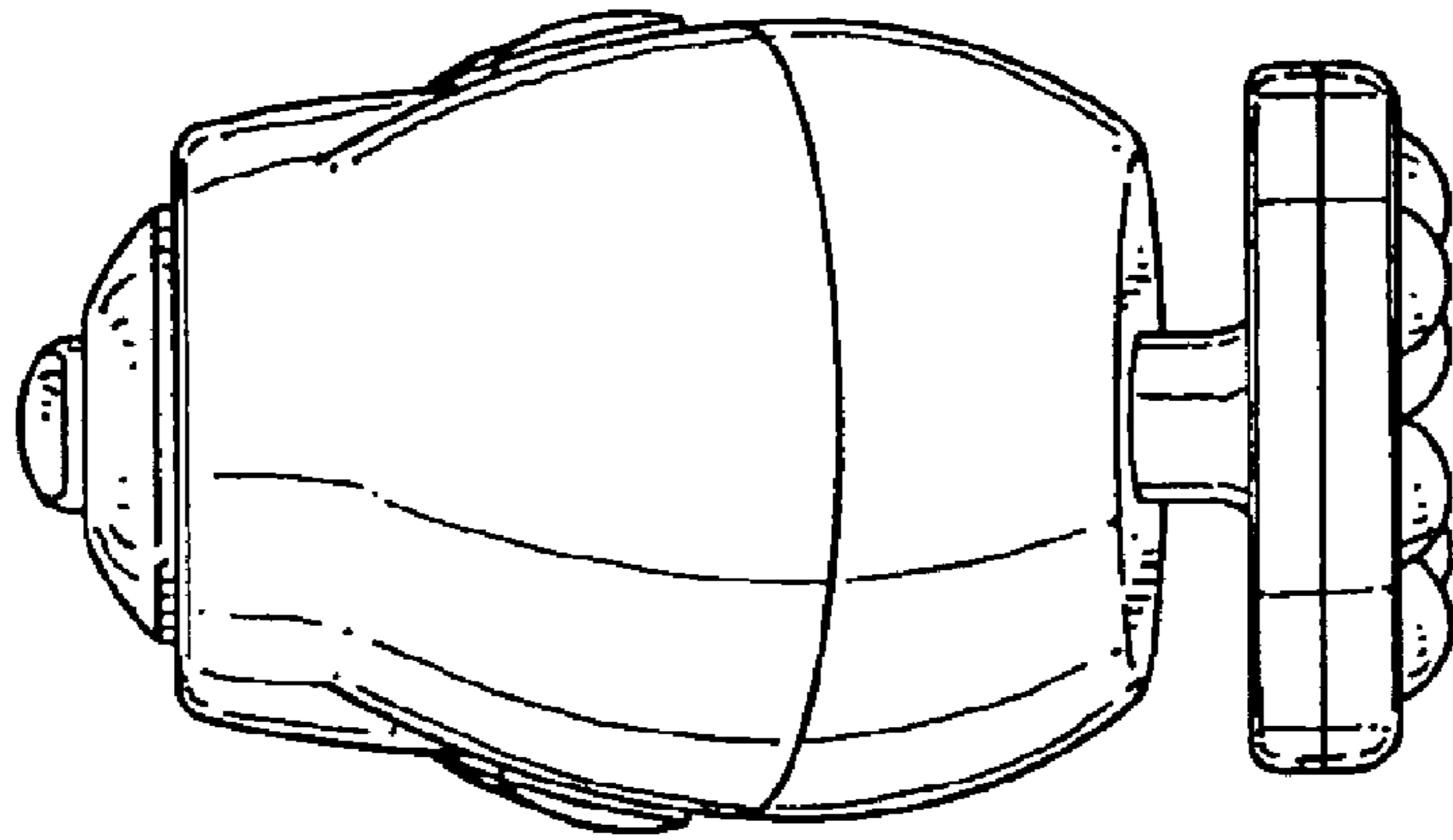


FIG. 7

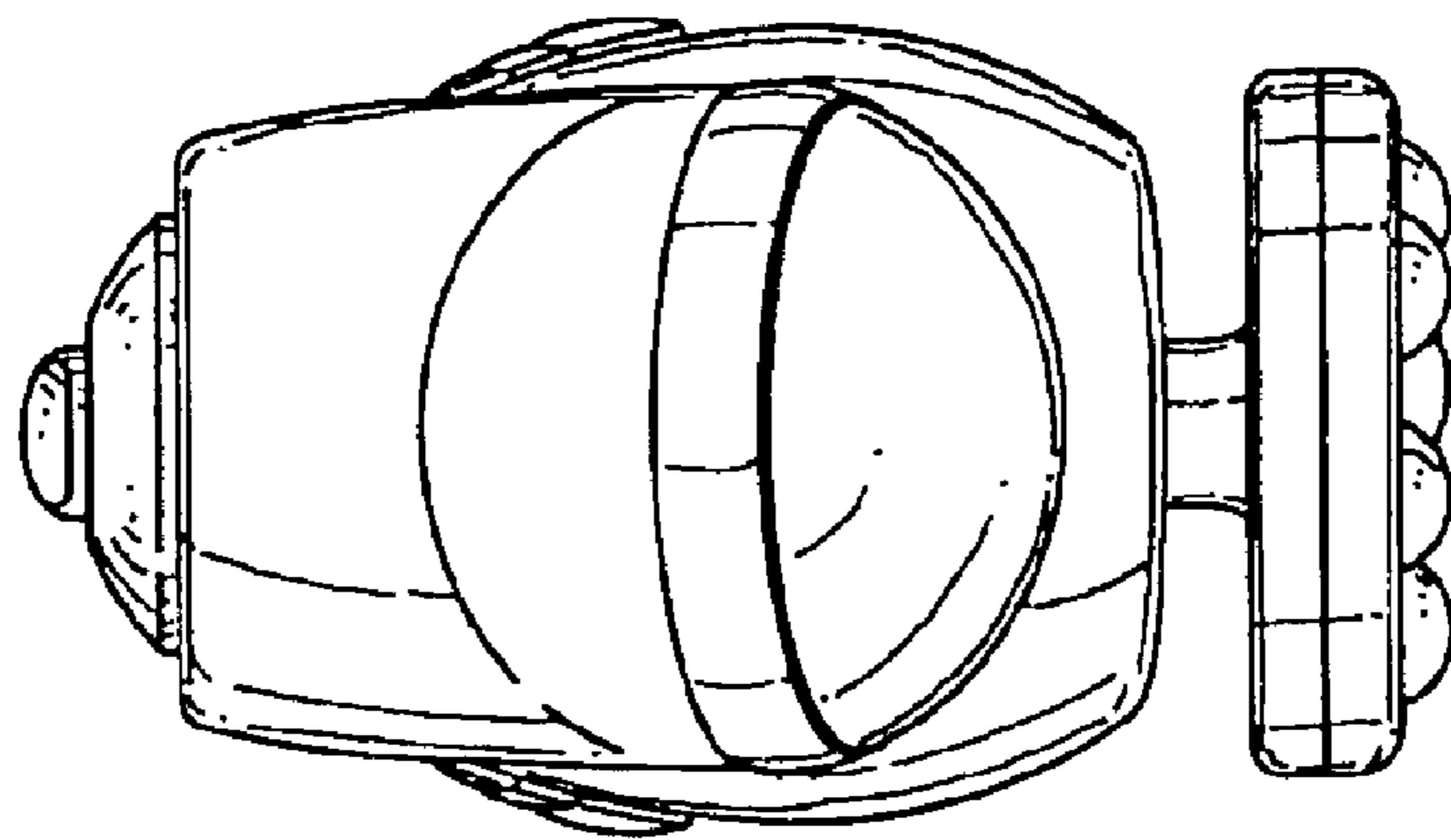


FIG. 8