



US00D510157S

(12) **United States Design Patent**  
**Haywood**

(10) **Patent No.: US D510,157 S**

(45) **Date of Patent: \*\* Sep. 27, 2005**

(54) **ASHTRAY**

D478,592 S 8/2003 Heard  
D485,391 S 1/2004 van der Vlis

(75) **Inventor: Chad Christian Haywood**, 5714 Allot Ave., Van Nuys, CA (US) 91401

\* cited by examiner

(73) **Assignee: Chad Christian Haywood**, Van Nuys, CA (US)

*Primary Examiner*—Jennifer Rivard  
(74) *Attorney, Agent, or Firm*—Knobbe, Martens, Olson & Bear, LLP

(\*\*) **Term: 14 Years**

(57) **CLAIM**

(21) **Appl. No.: 29/203,540**

The ornamental design for an ashtray, substantially as shown and described.

(22) **Filed: Apr. 14, 2004**

**DESCRIPTION**

(51) **LOC (8) Cl. .... 27-03**

(52) **U.S. Cl. .... D27/114; D27/135**

(58) **Field of Search .... D27/103, 106, D27/114, 120, 127, 131, 133-135; D7/555-557, 564, 578; 131/231, 235, 240.1, 242**

FIG. 1 is a top plan view of an astray showing my new design;

FIG. 2 is a perspective view of the astray of FIG. 1;

FIG. 3 is a side elevational view of the astray of FIG. 1;

FIG. 4 is a top plan view of another embodiment of an astray showing my new design;

FIG. 5 is a perspective view of the astray of FIG. 4;

FIG. 6 is a side elevational view of the astray of FIG. 4;

FIG. 7 is a top plan view of another embodiment of an astray showing my new design;

FIG. 8 is a perspective view of the astray of FIG. 7; and,

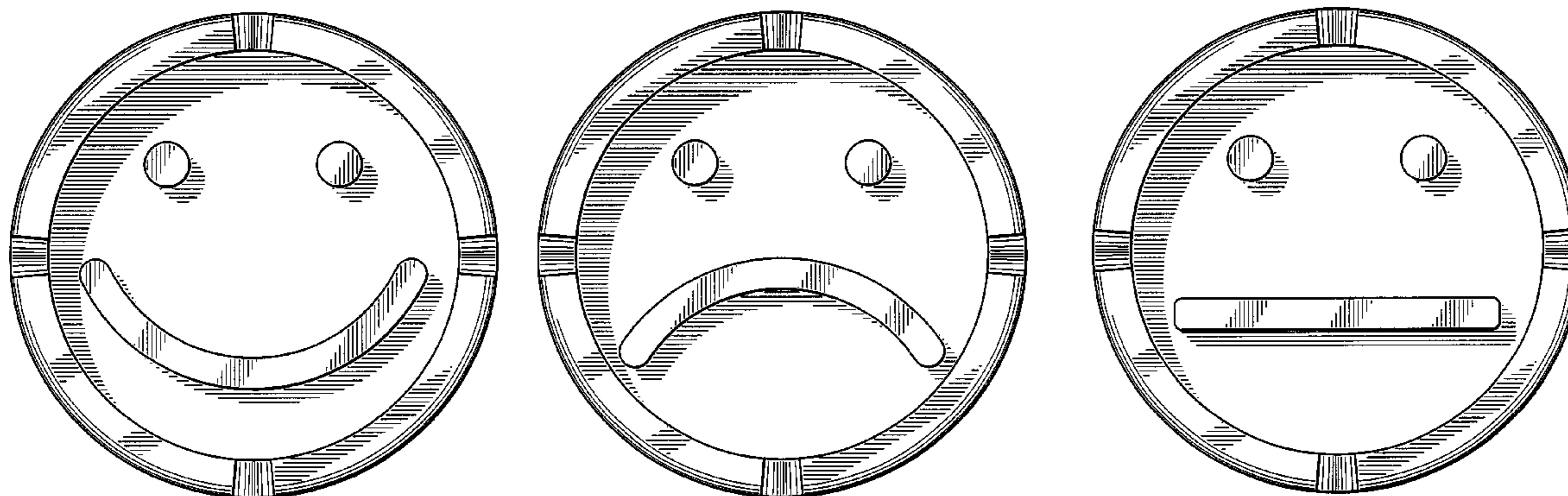
FIG. 9 is a side elevational view of the astray of FIG. 7.

(56) **References Cited**

**U.S. PATENT DOCUMENTS**

D295,793 S	*	5/1988	Pettijohn	.....	D27/114
5,186,182 A	*	2/1993	Lin	.....	131/241
D353,974 S	*	1/1995	Durling	.....	D7/579
D361,862 S		8/1995	Havens		
D402,399 S	*	12/1998	Fowler	.....	D27/135
D430,952 S		9/2000	Haywood		
D464,584 S		10/2002	Tsukayama		

**1 Claim, 9 Drawing Sheets**



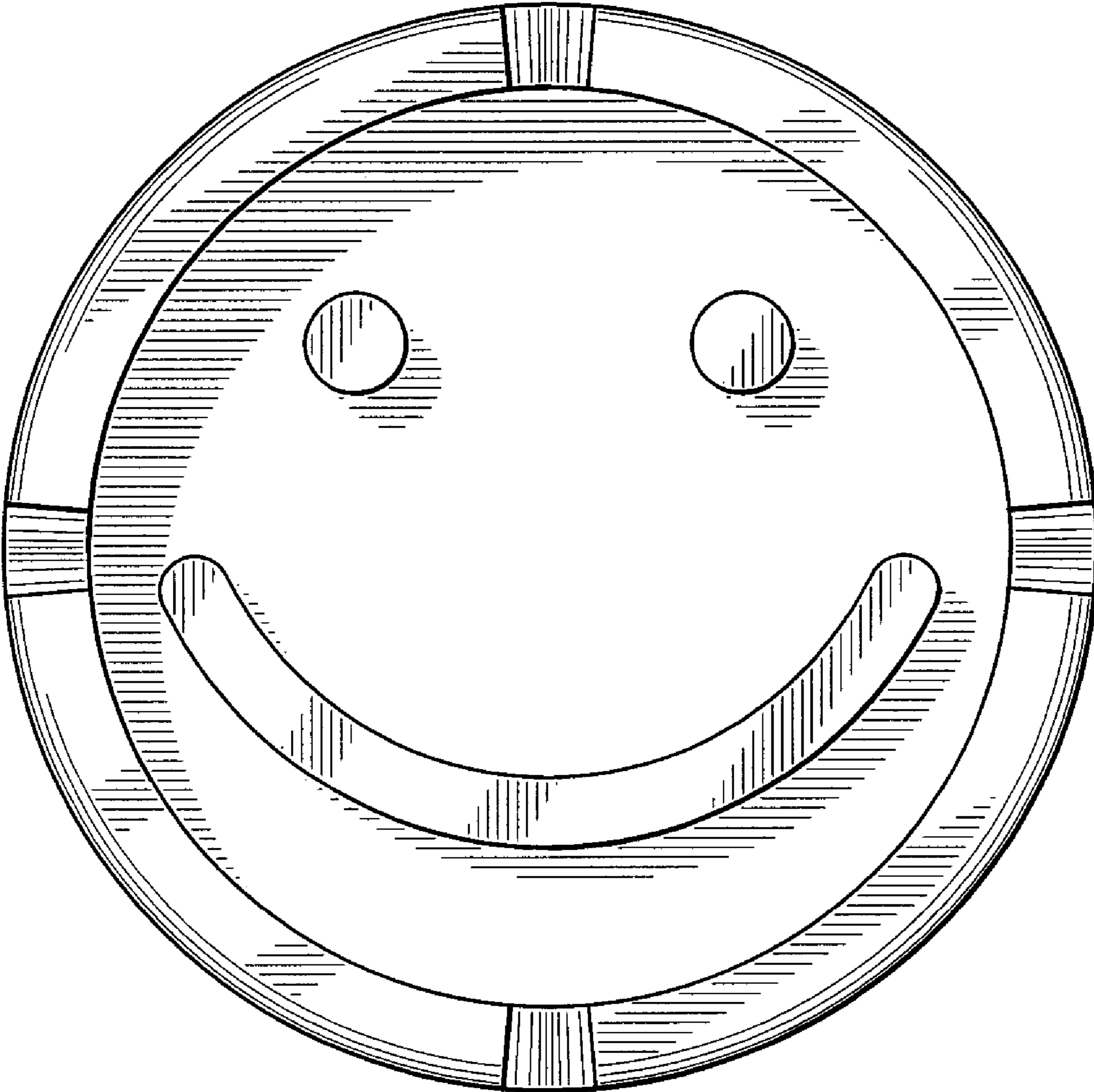


FIG. 1

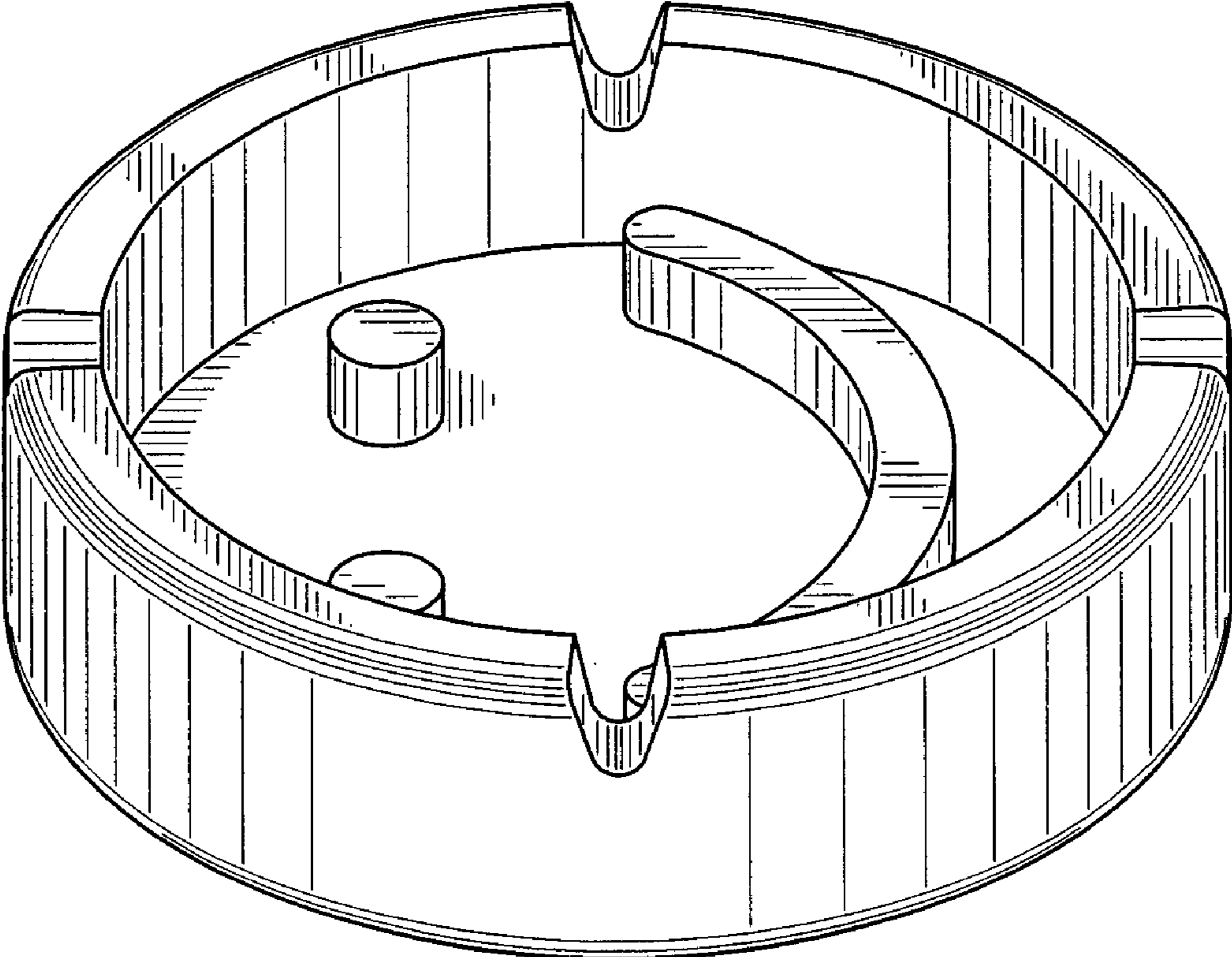


FIG. 2

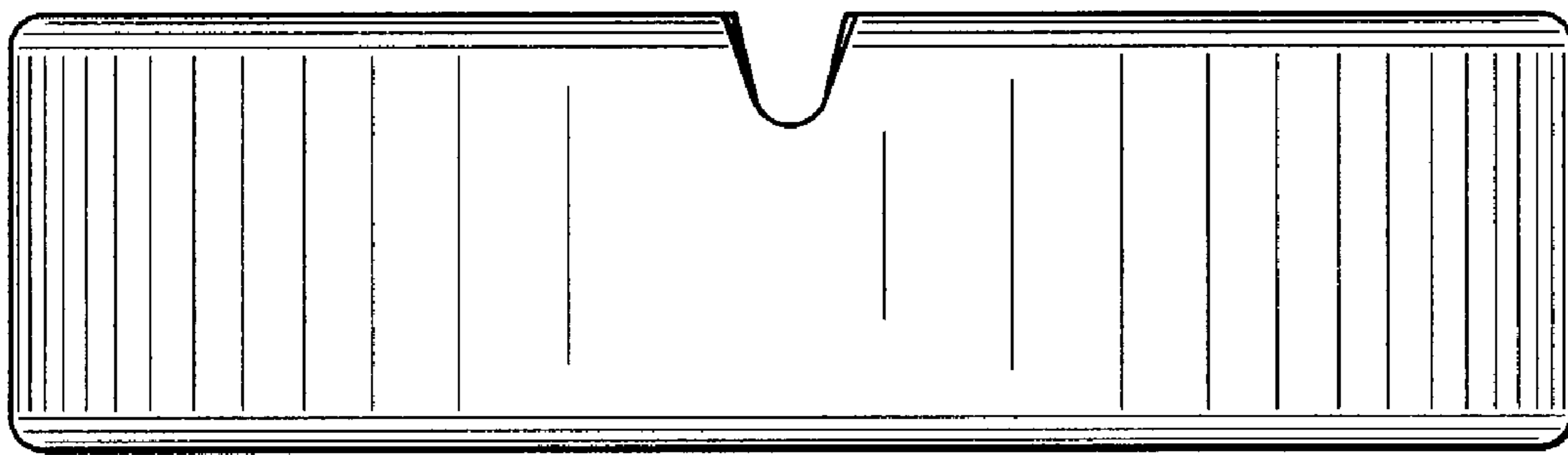


FIG. 3

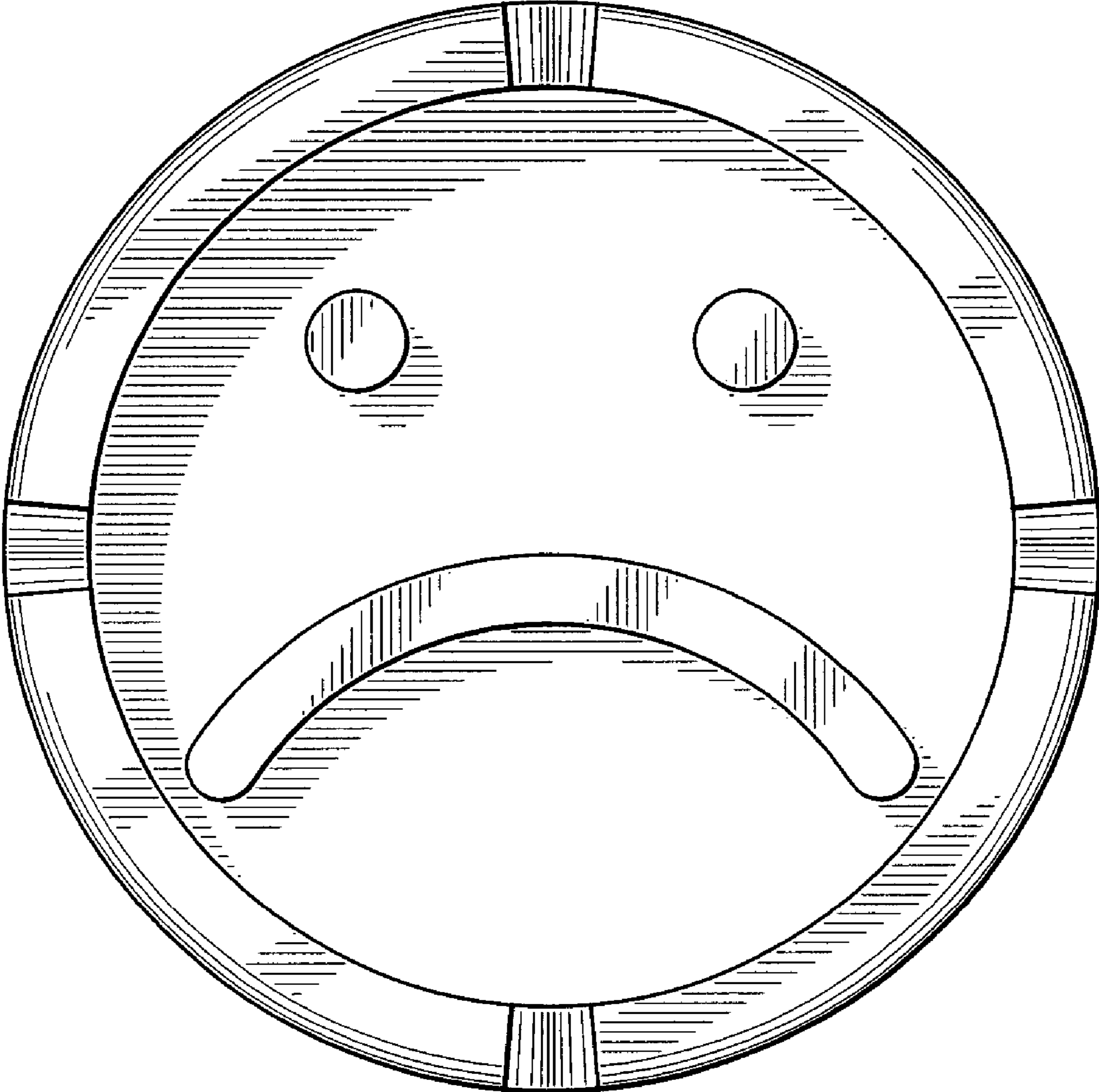


FIG. 4

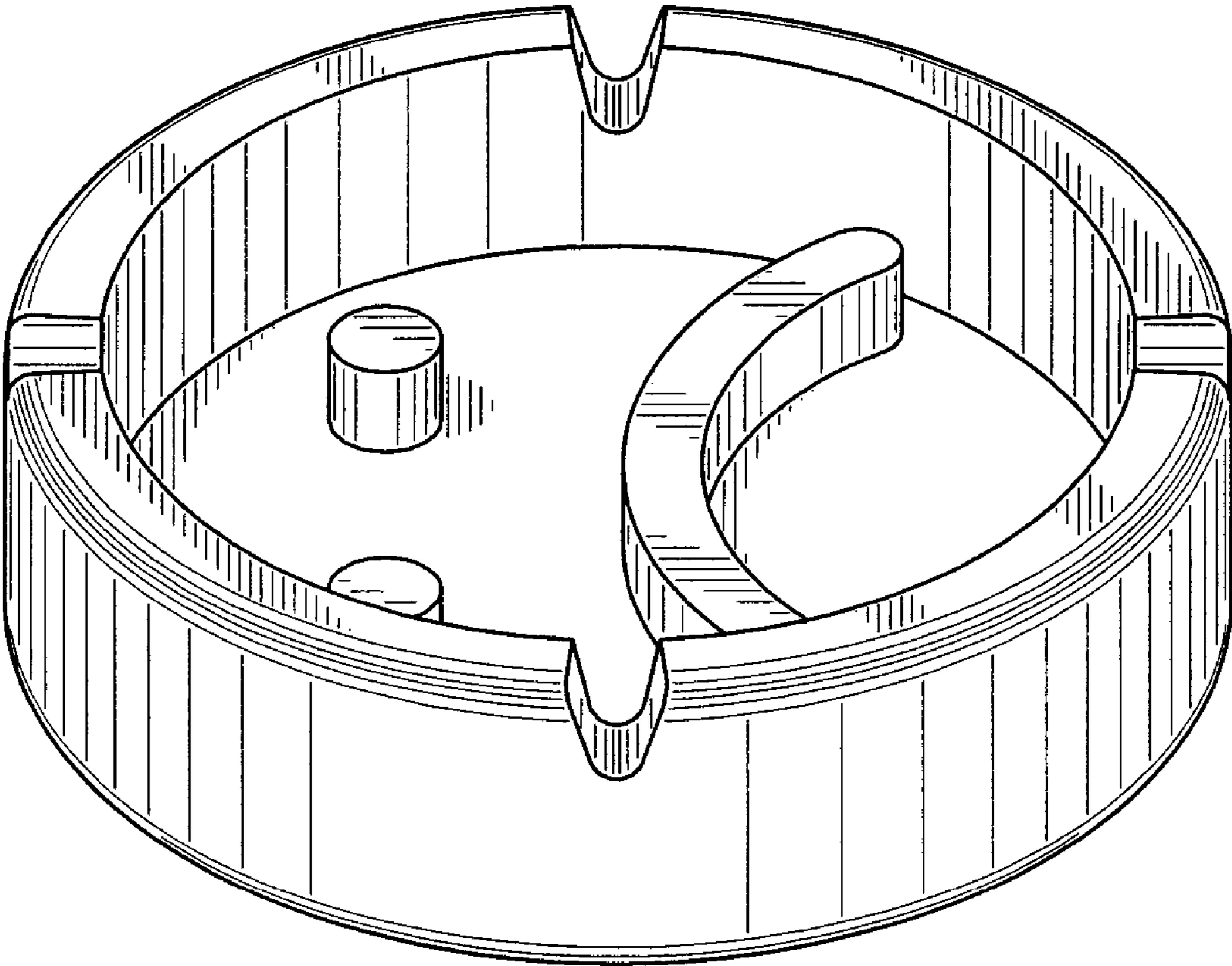


FIG. 5

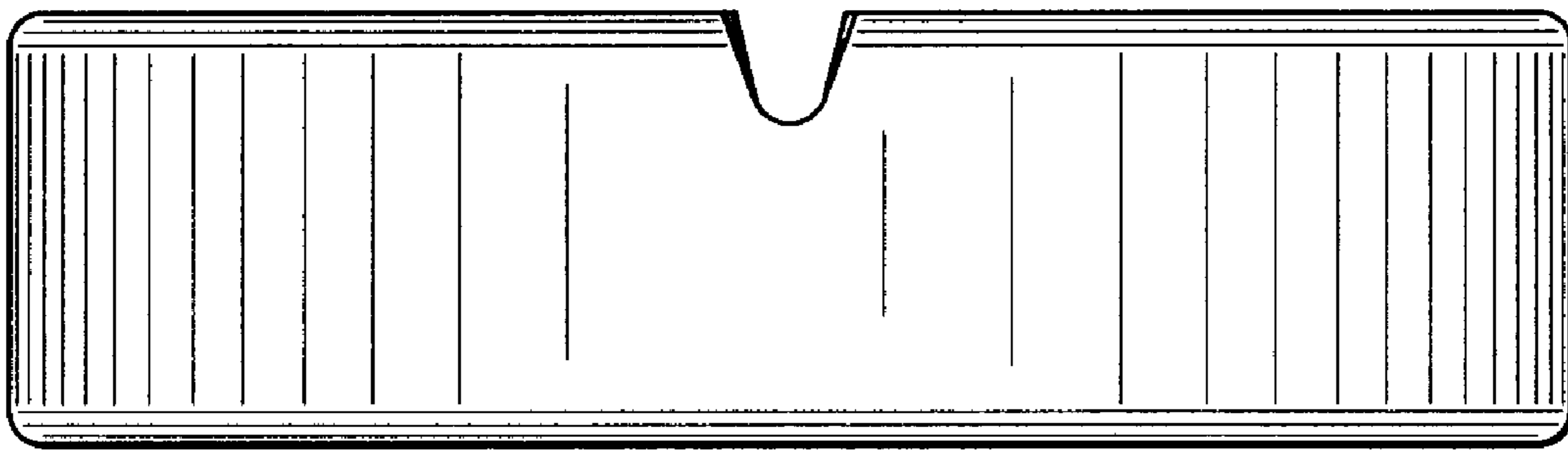


FIG. 6

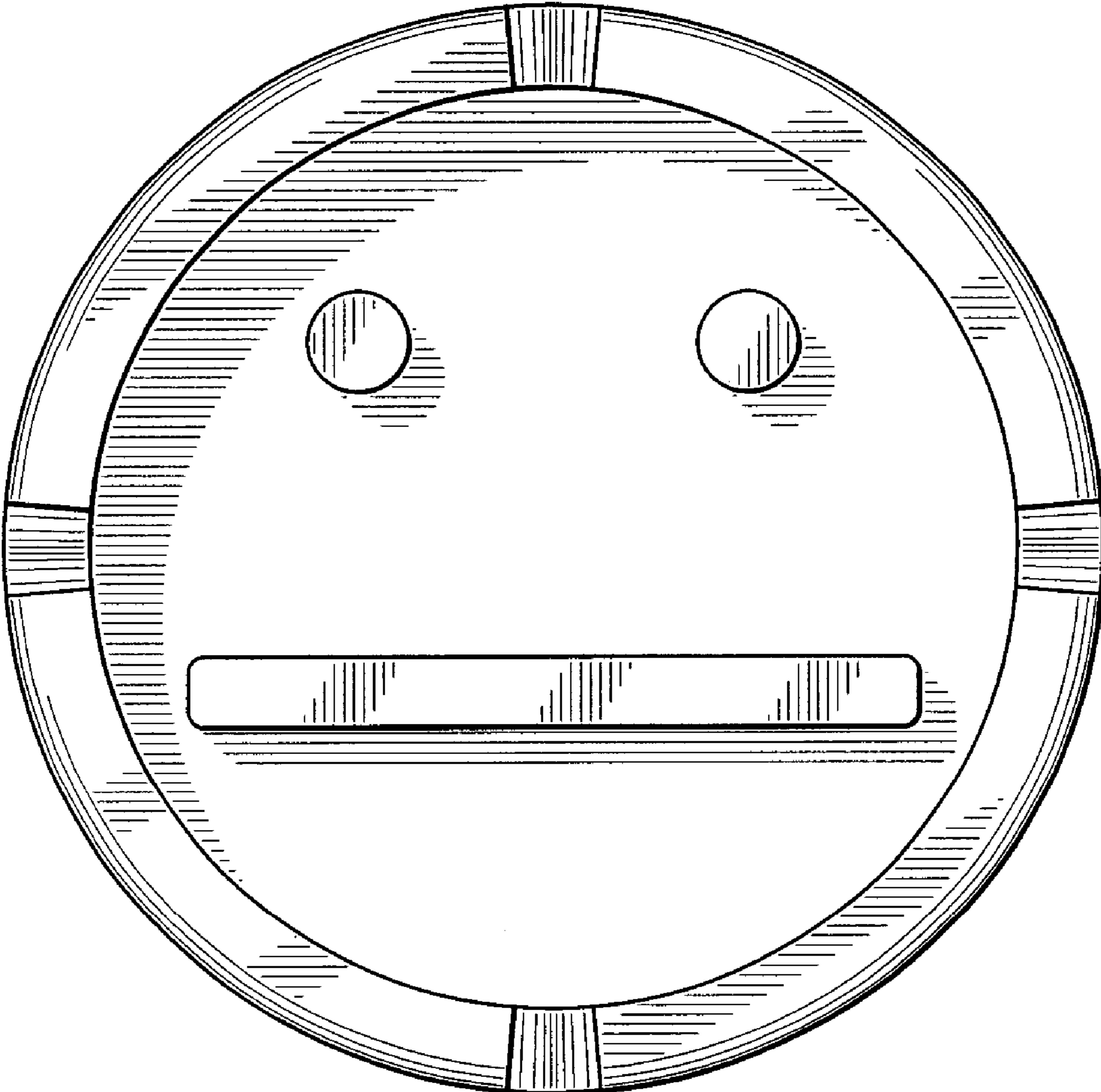


FIG. 7



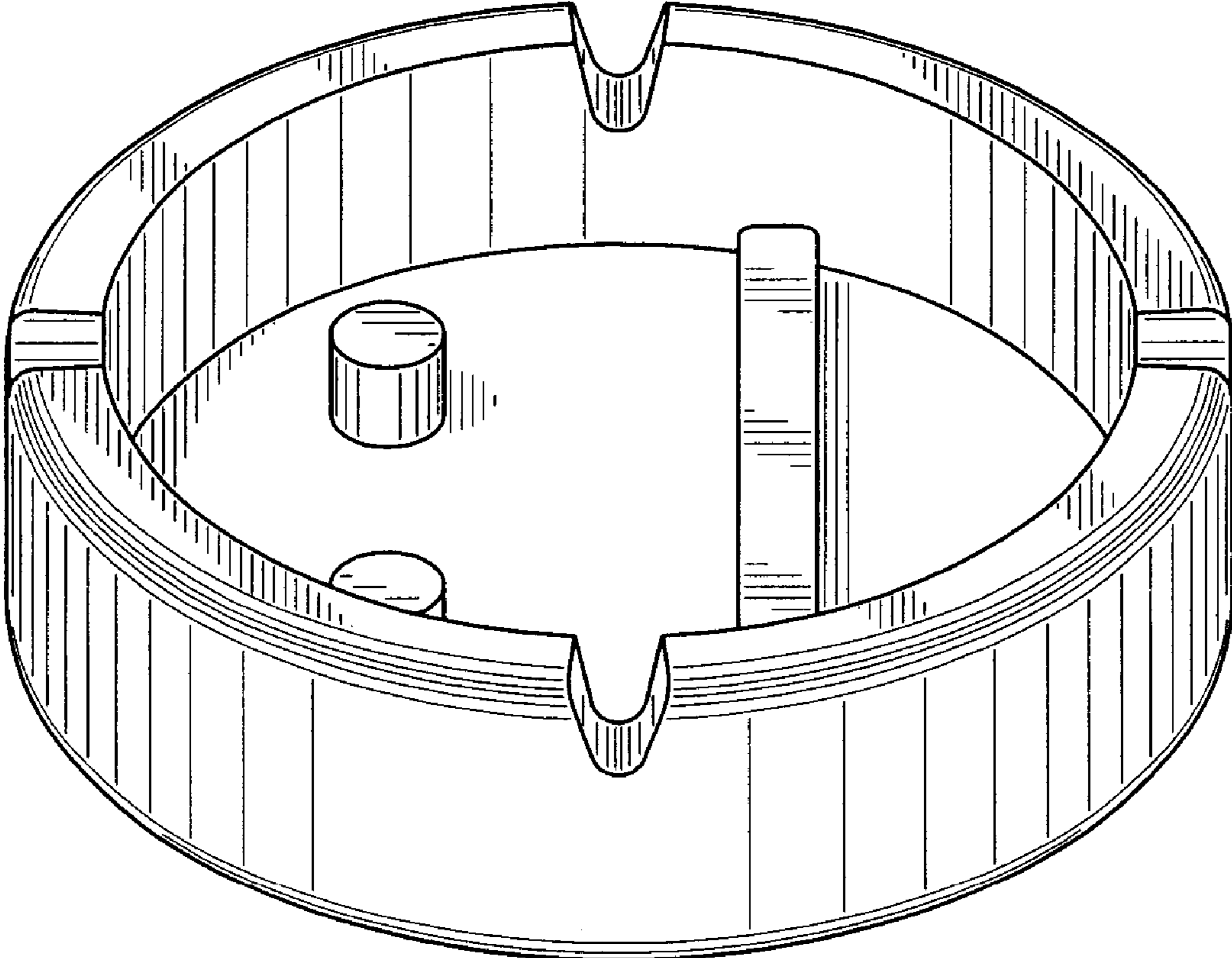


FIG. 8

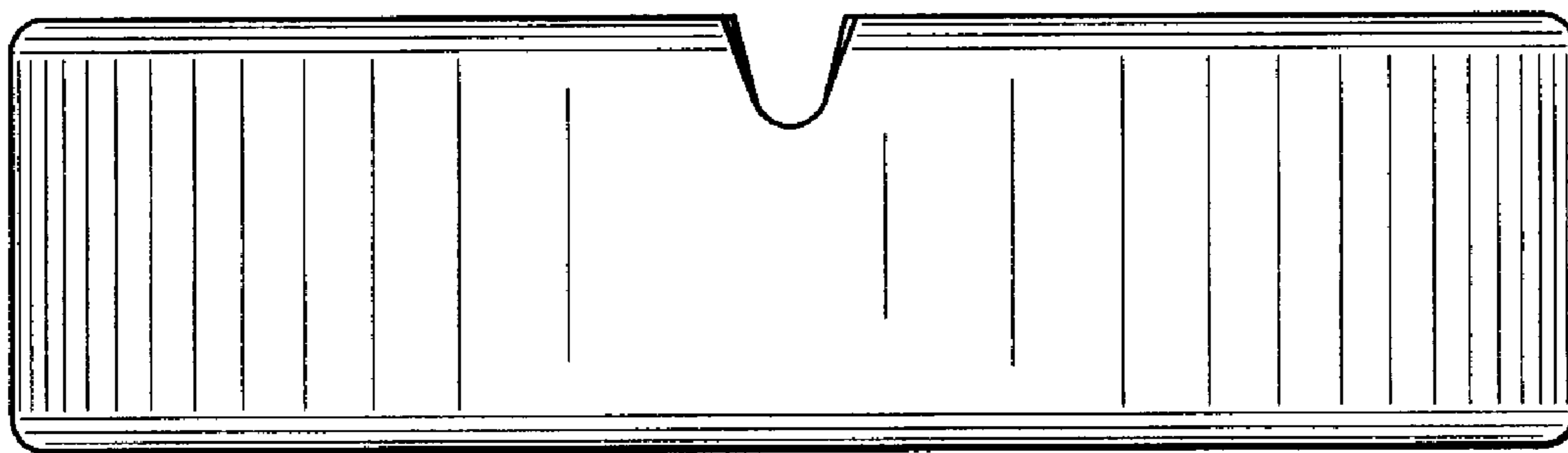


FIG. 9