

US00D510156S

(12) **United States Design Patent**
De'Armond

(10) **Patent No.:** **US D510,156 S**

(45) **Date of Patent:** **** Sep. 27, 2005**

(54) **LAMP SUPPORT ARM**

(75) **Inventor:** **Robert De'Armond**, Temecula, CA (US)

(73) **Assignee:** **Minka Lighting, Inc.**, Corona, CA (US)

(**) **Term:** **14 Years**

(21) **Appl. No.:** **29/218,485**

(22) **Filed:** **Dec. 2, 2004**

(51) **LOC (8) Cl.** **26-99**

(52) **U.S. Cl.** **D26/155**

(58) **Field of Search** D26/24, 67, 71,
D26/72, 85-92, 142, 145, 149, 152, 154,
155, 118, 128-137; 362/147, 404-408,
432, 455, 457

(56) **References Cited**

U.S. PATENT DOCUMENTS

- D74,552 S * 2/1928 Crawford D26/145
- D77,615 S * 1/1929 Logan D26/145
- D387,464 S * 12/1997 Hoffman D26/87
- D452,582 S * 12/2001 Johnson et al. D26/155

OTHER PUBLICATIONS

Kichler's 2004 Catalog (No. 104); Item 9359 LD—"Londonderry" on p. 304.*
U.S. Appl. No. 29/218,432, Robert De'Armond.

U.S. Appl. No. 29/218,484, Robert De'Armond.

U.S. Appl. No. 29/218,486, Robert De'Armond.

U.S. Appl. No. 29/218,488, Robert De'Armond.

The Great Outdoors 2004 Catalog by Minka-Lavery; Minka Lighting, Inc. U.S.A.; Jan. 2004; Buckingham Model; pp. 2-3.

* cited by examiner

Primary Examiner—Clare E Heflin

(74) *Attorney, Agent, or Firm*—Baker & McKenzie LLP

(57) **CLAIM**

The ornamental design for a lamp support arm, as shown and described.

DESCRIPTION

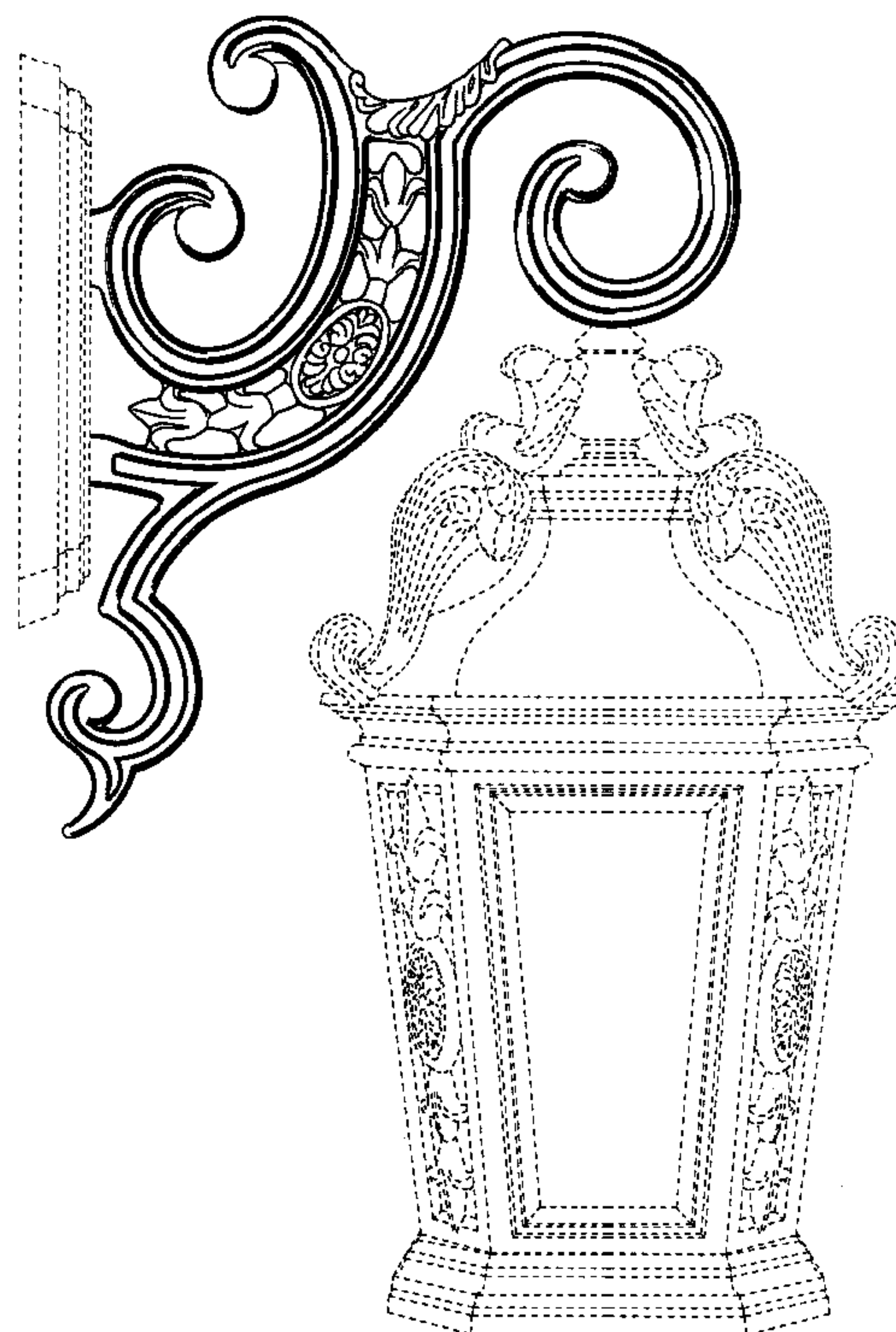
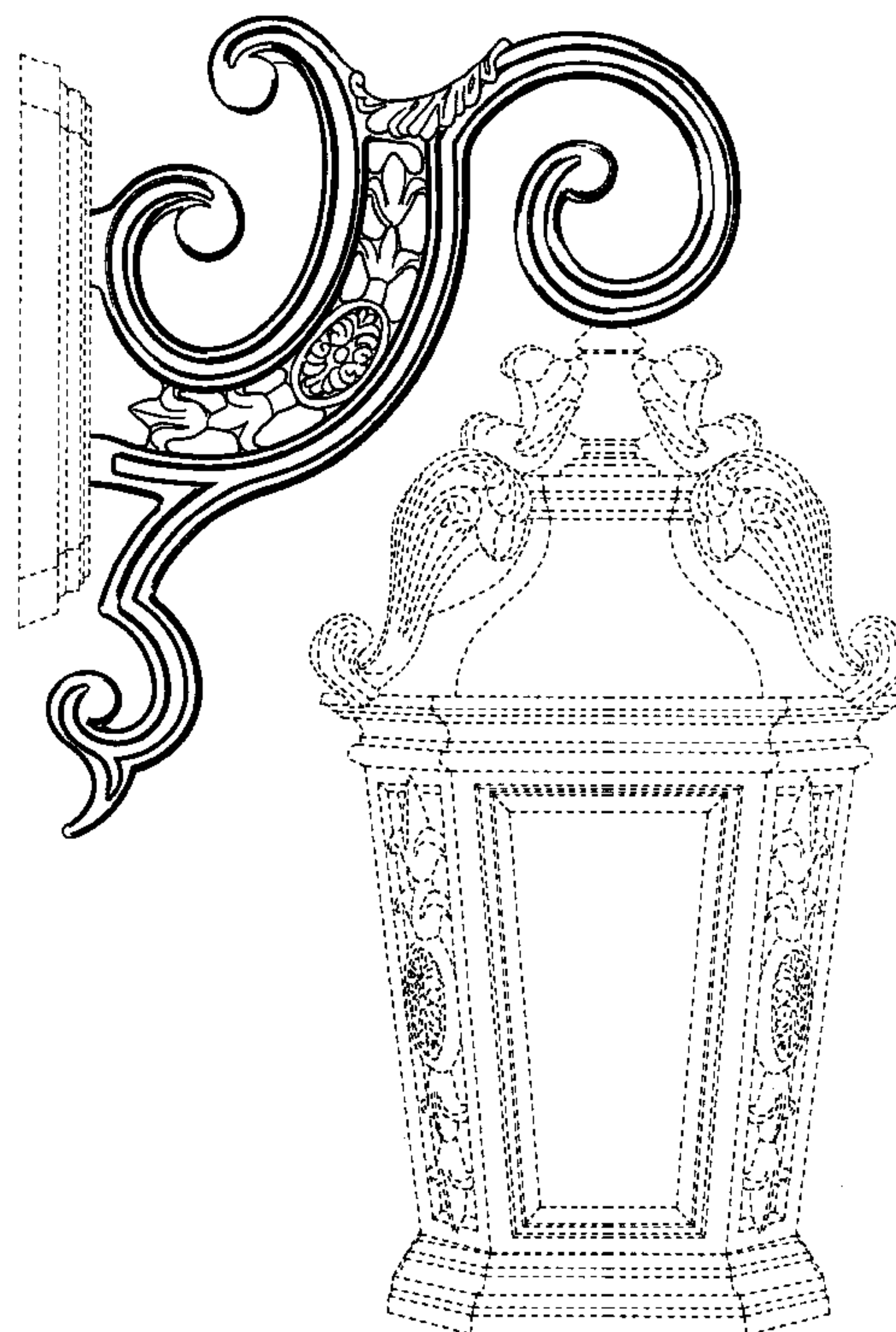
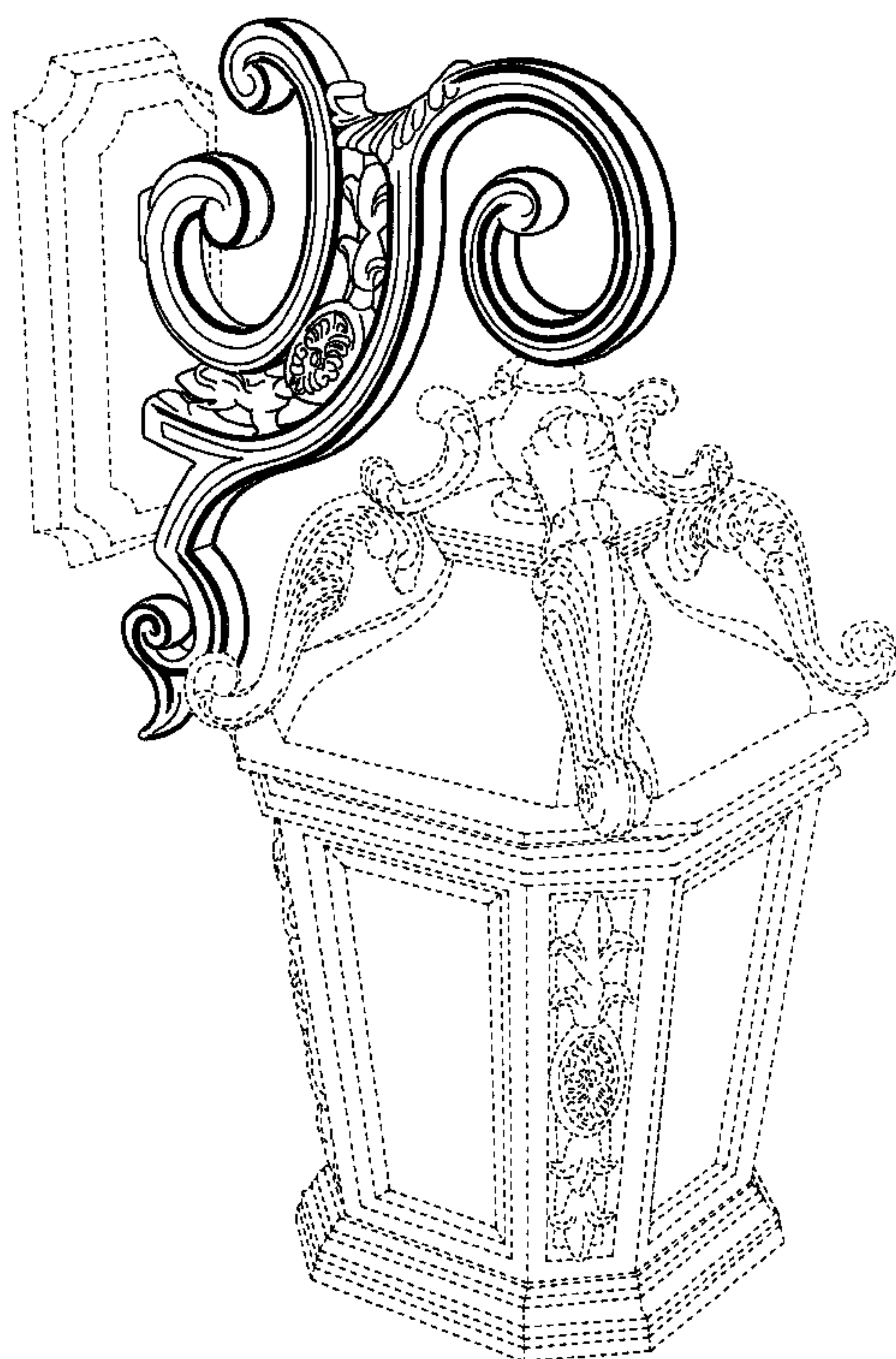
FIG. 1 is a perspective view from above of a lamp support arm in accordance with my design;

FIG. 2 is a side elevation view of the lamp support arm in accordance with my design; and,

FIG. 3 is a top plan view of the lamp support arm in accordance with my design.

The broken lines showing environmental structure are for illustrative purposes and form no part of the claimed design.

1 Claim, 3 Drawing Sheets



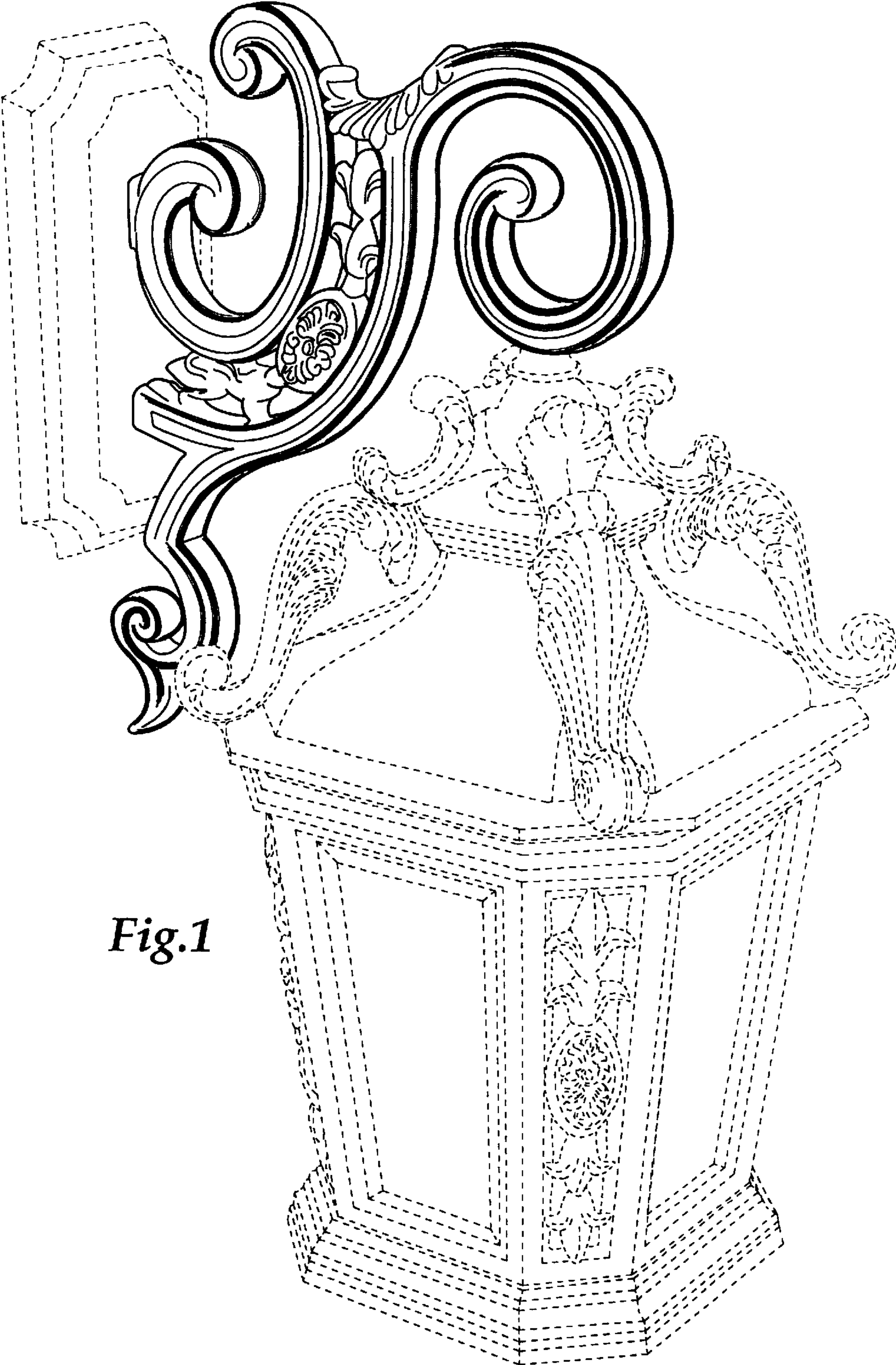


Fig.1

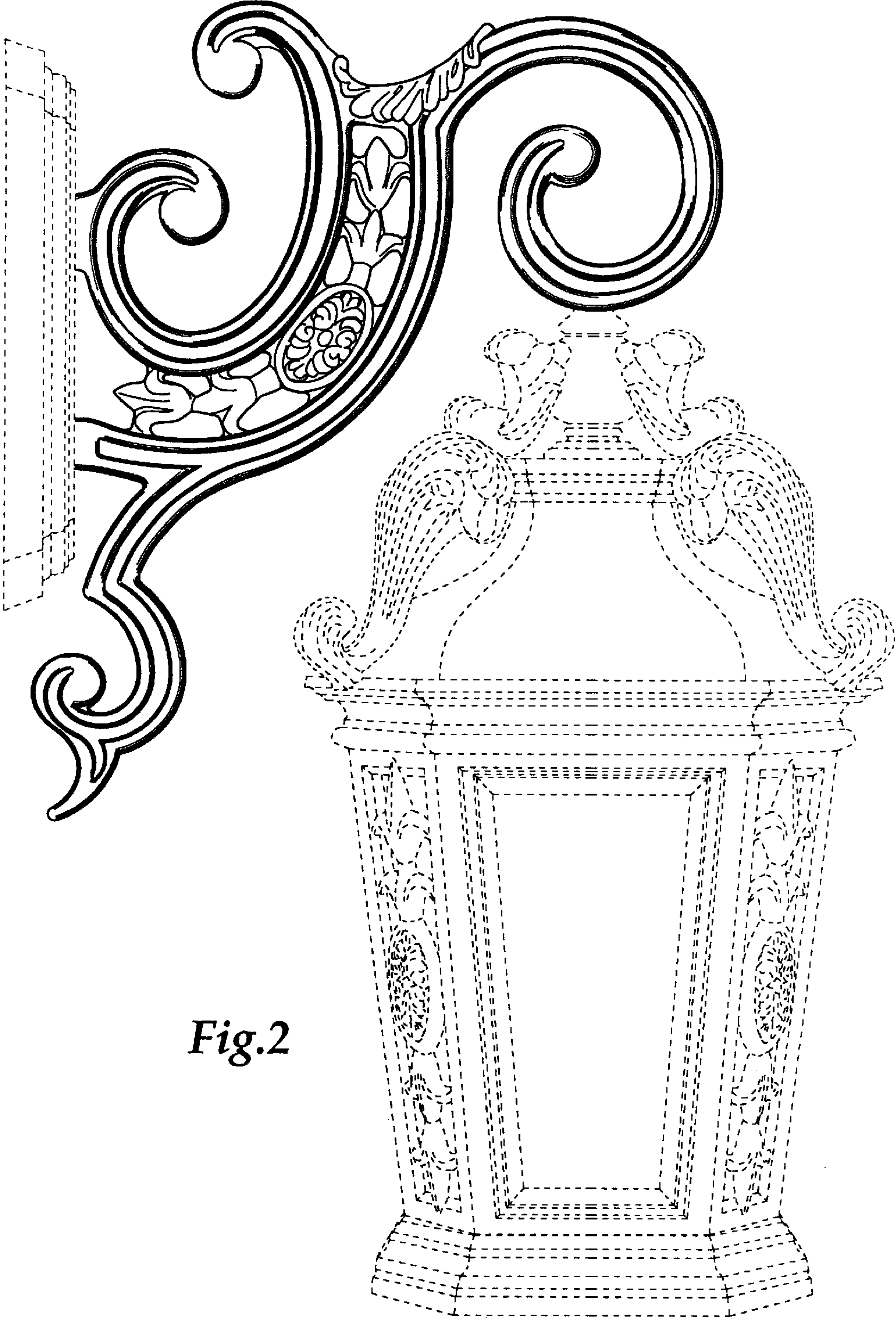


Fig.2

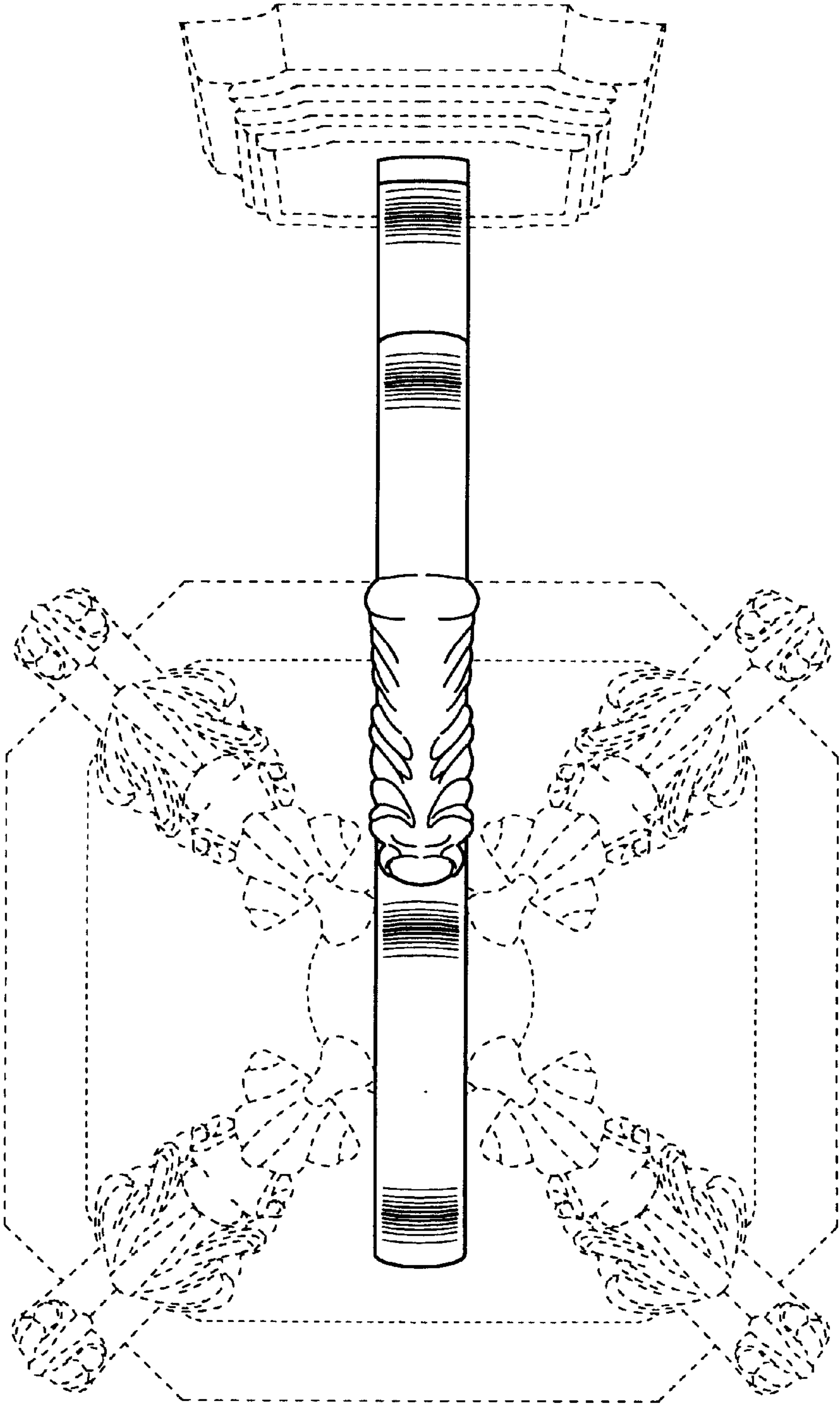


Fig.3