

US00D510151S

(12) **United States Design Patent**
Rashidi

(10) **Patent No.: US D510,151 S**

(45) **Date of Patent: ** Sep. 27, 2005**

(54) **SQUARE FRAME TRIM RING**

D474,299 S * 5/2003 Lecluze D26/74

(76) Inventor: **Hamid Rashidi**, 139 N. Clark Dr.,
Beverly Hills, CA (US) 90211

* cited by examiner

Primary Examiner—Clare E Heflin

(**) Term: **14 Years**

(74) *Attorney, Agent, or Firm*—Thomas I. Rozsa; Tony D. Chen

(21) Appl. No.: **29/208,286**

(57) **CLAIM**

(22) Filed: **Jun. 24, 2004**

The Ornamental design for a square frame trim ring, as shown and described.

(51) **LOC (8) Cl.** **26-05**

(52) **U.S. Cl.** **D26/74; D26/120**

(58) **Field of Search** D26/74, 118, 120,
D26/122–124; 362/147, 296, 300, 235,
301, 307, 310, 311, 347–350, 364–366

DESCRIPTION

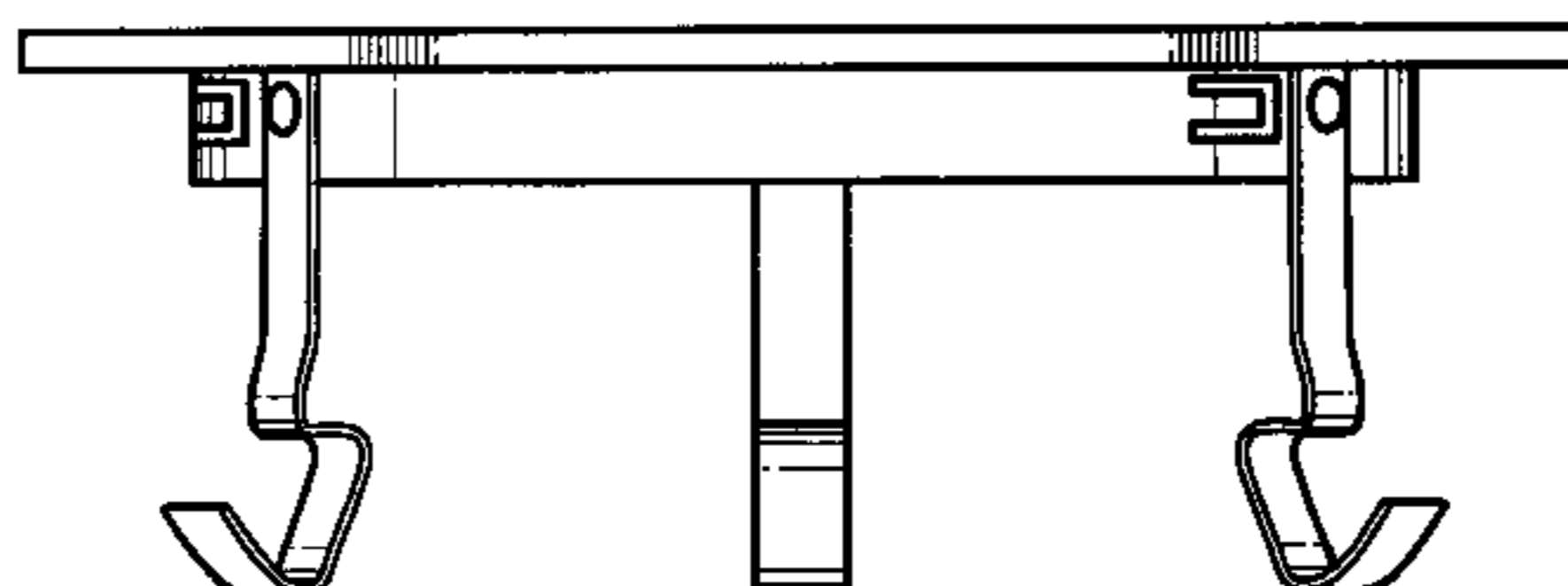
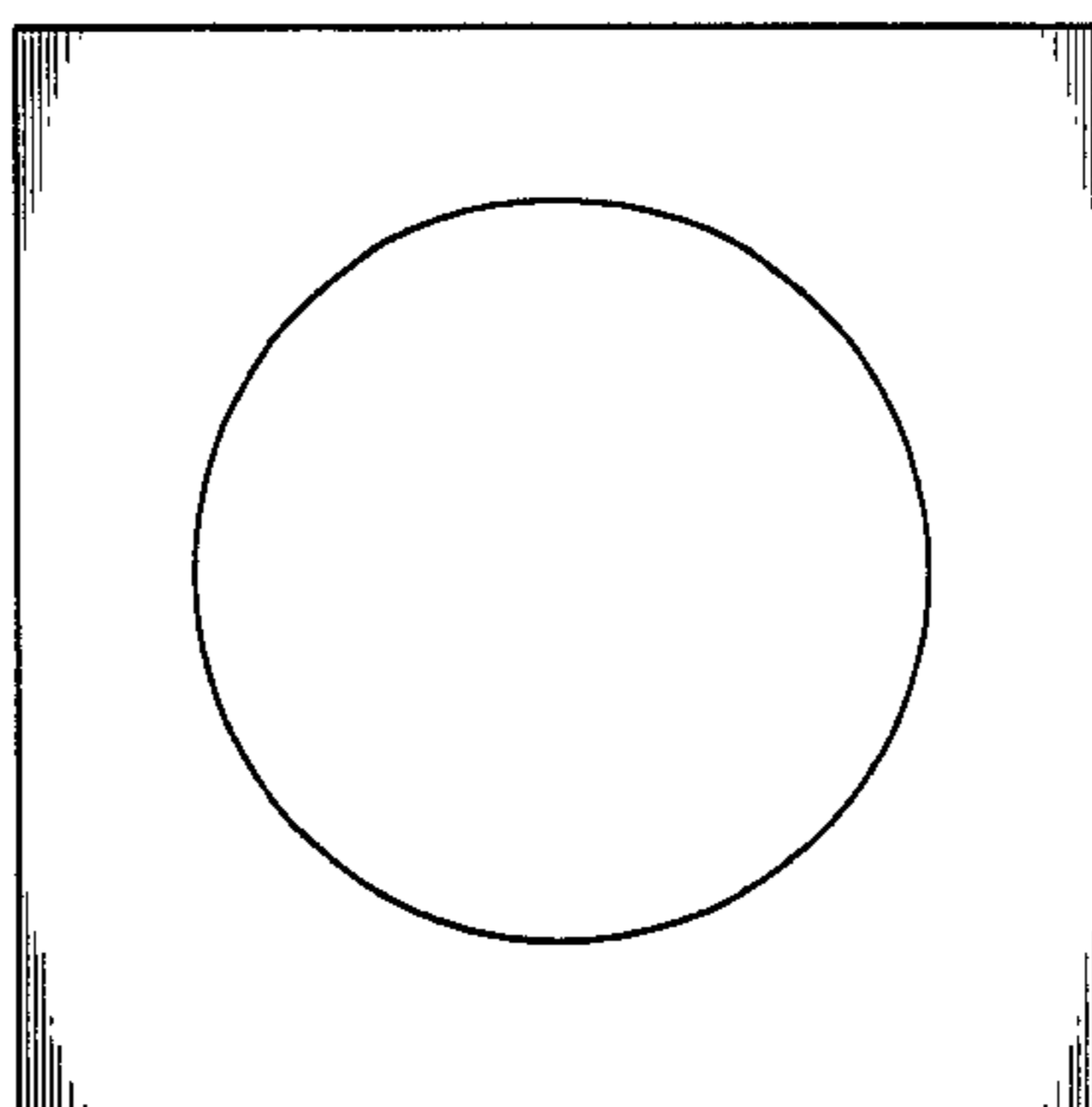
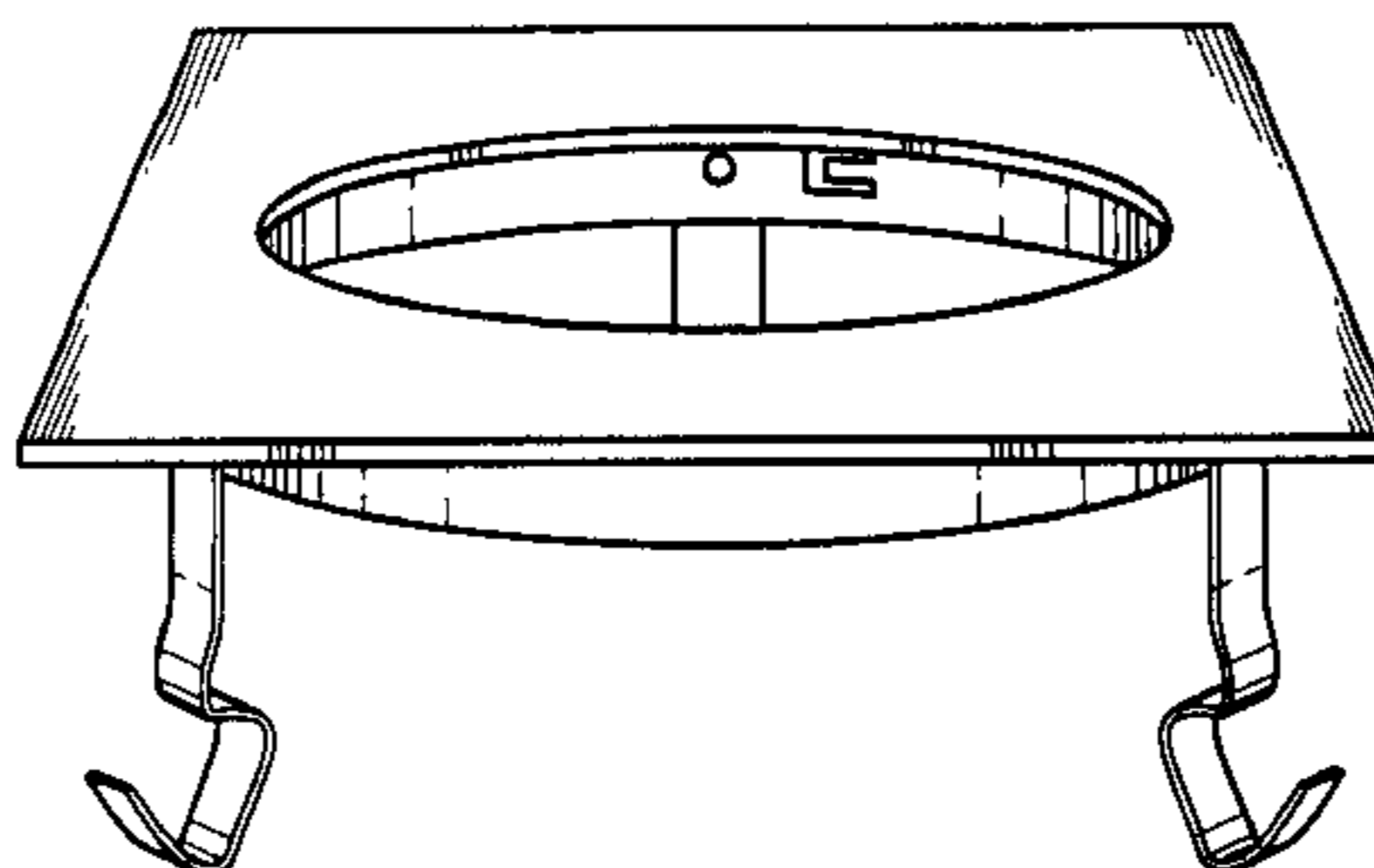
(56) **References Cited**

U.S. PATENT DOCUMENTS

D118,359 S	*	1/1940	Arenberg	D26/120
D325,651 S	*	4/1992	Sonneman	D26/152
D387,466 S	*	12/1997	Lecluze	D26/118
D389,597 S	*	1/1998	Gismondi	D26/74
6,421,904 B1	*	7/2002	Wedekind et al.	29/432
6,523,979 B1	*	2/2003	Kawata et al.	362/294

FIG. 1 is a perspective view of the square frame trim ring, showing my design;
FIG. 2 is a top plan view;
FIG. 3 is a bottom plan view;
FIG. 4 is a front elevational view;
FIG. 5 is a rear elevational view;
FIG. 6 is a side elevational view when viewed from the right side; and,
FIG. 7 is a side elevational view when viewed from the left side.

1 Claim, 2 Drawing Sheets



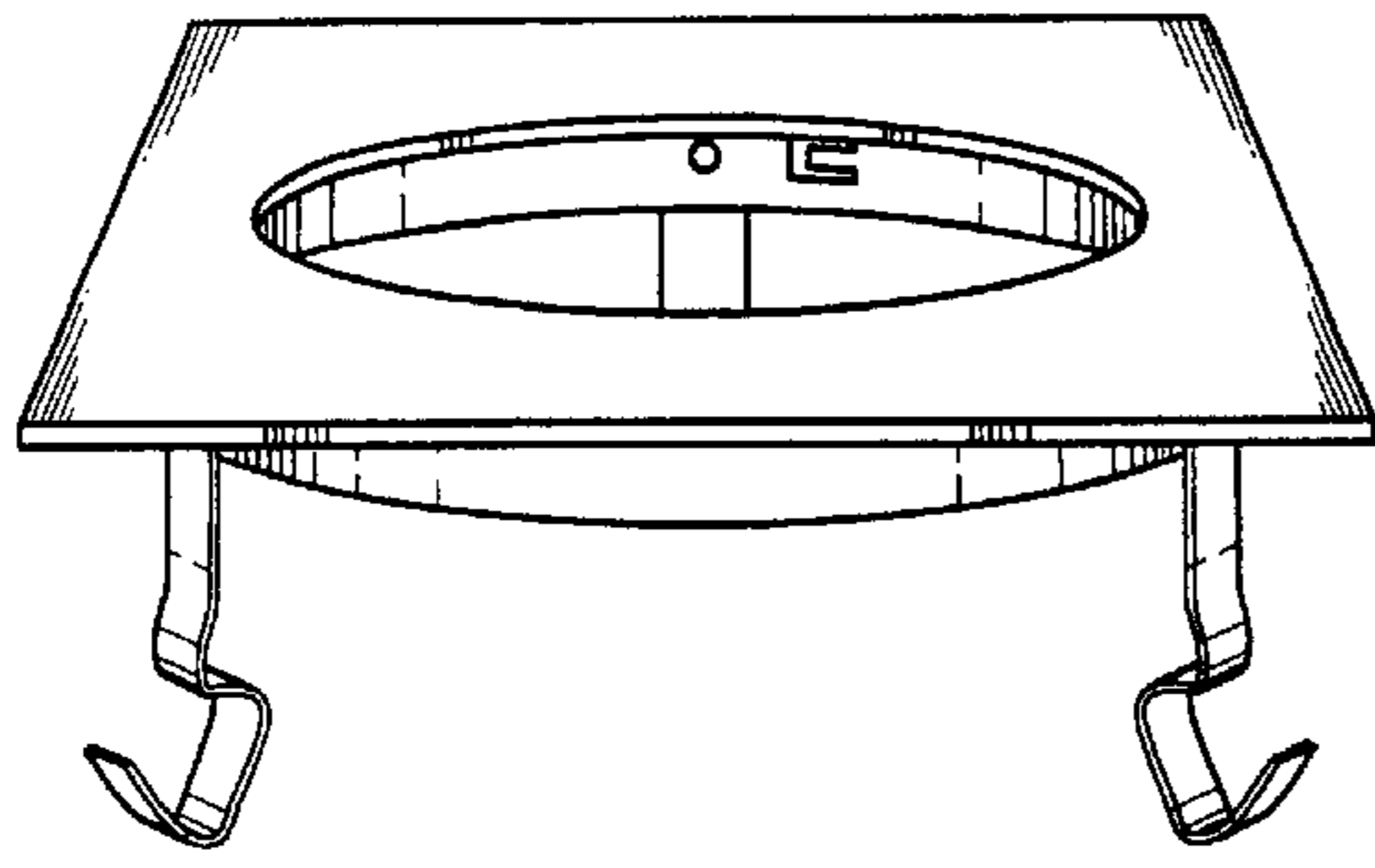


FIG.1

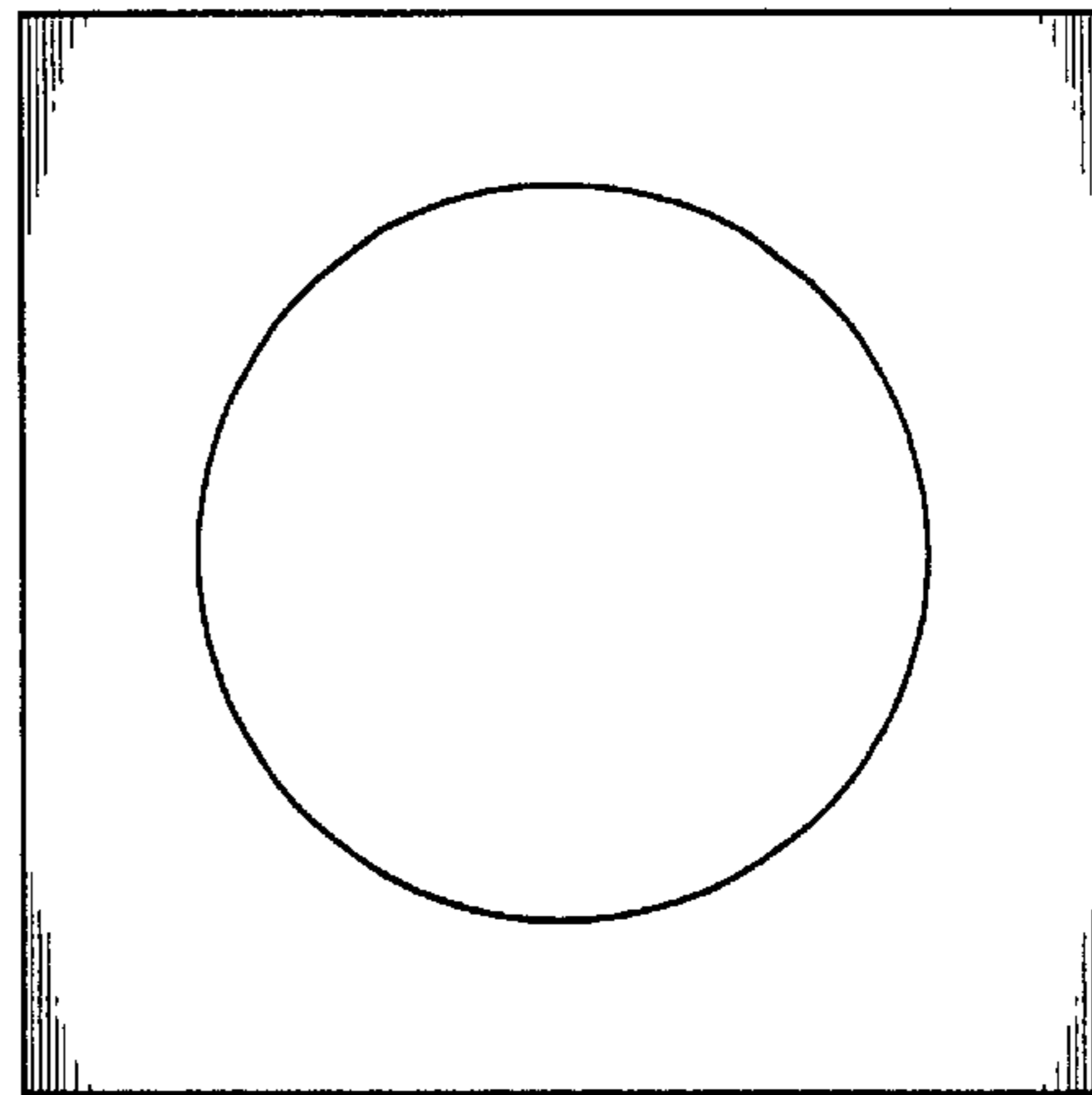


FIG.2

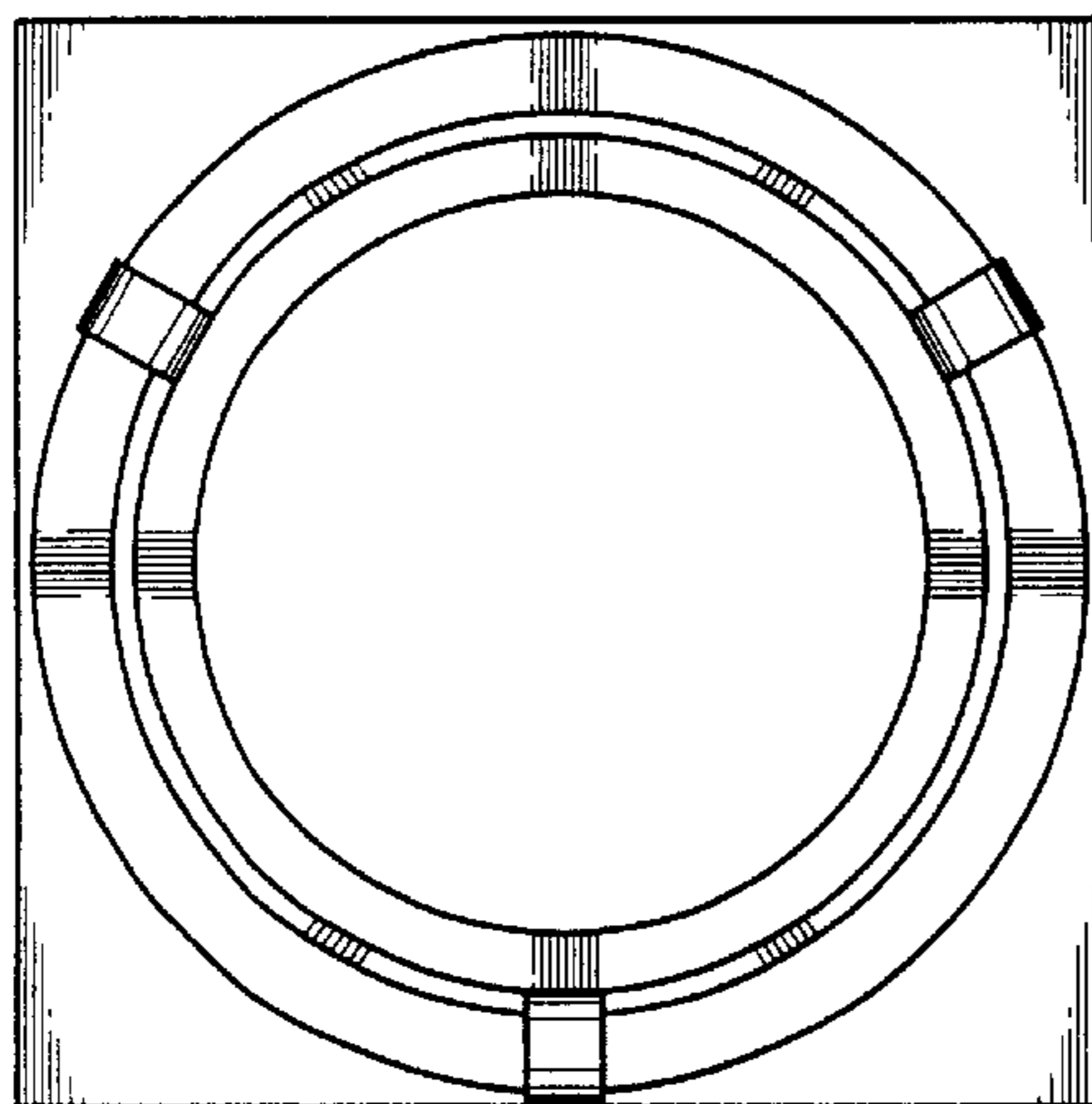


FIG.3

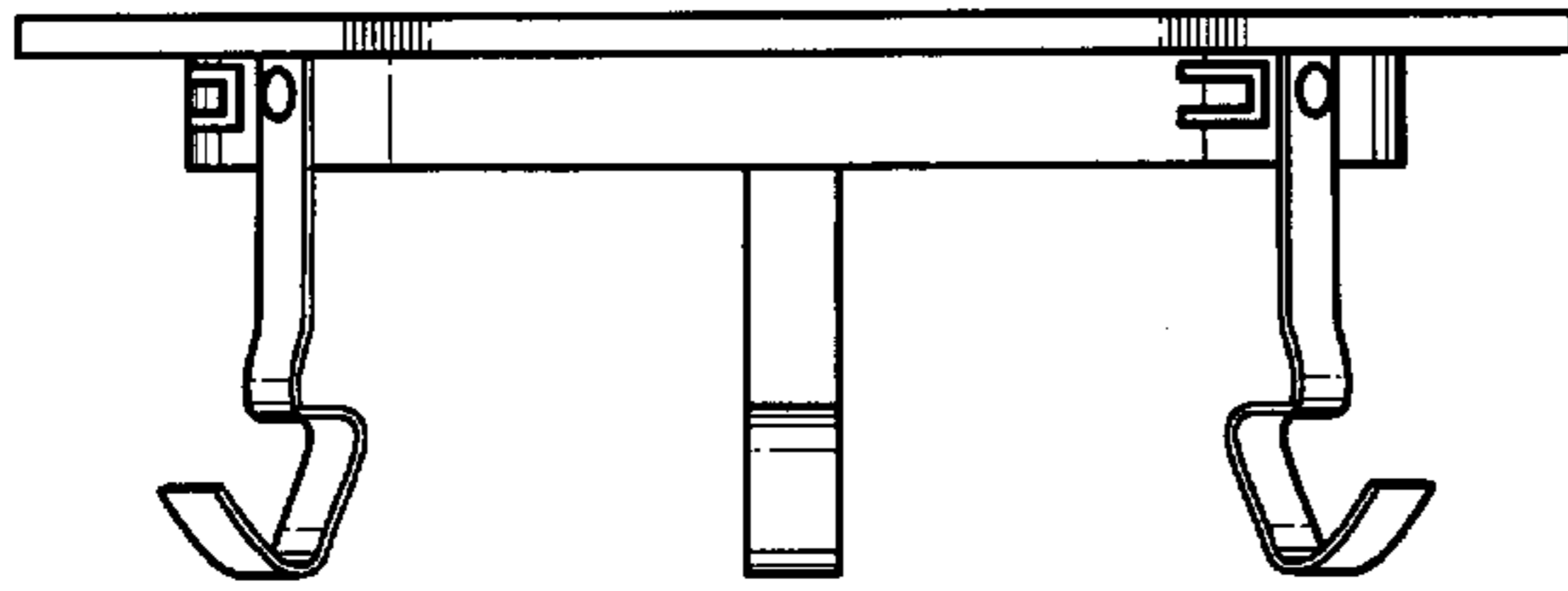


FIG. 4

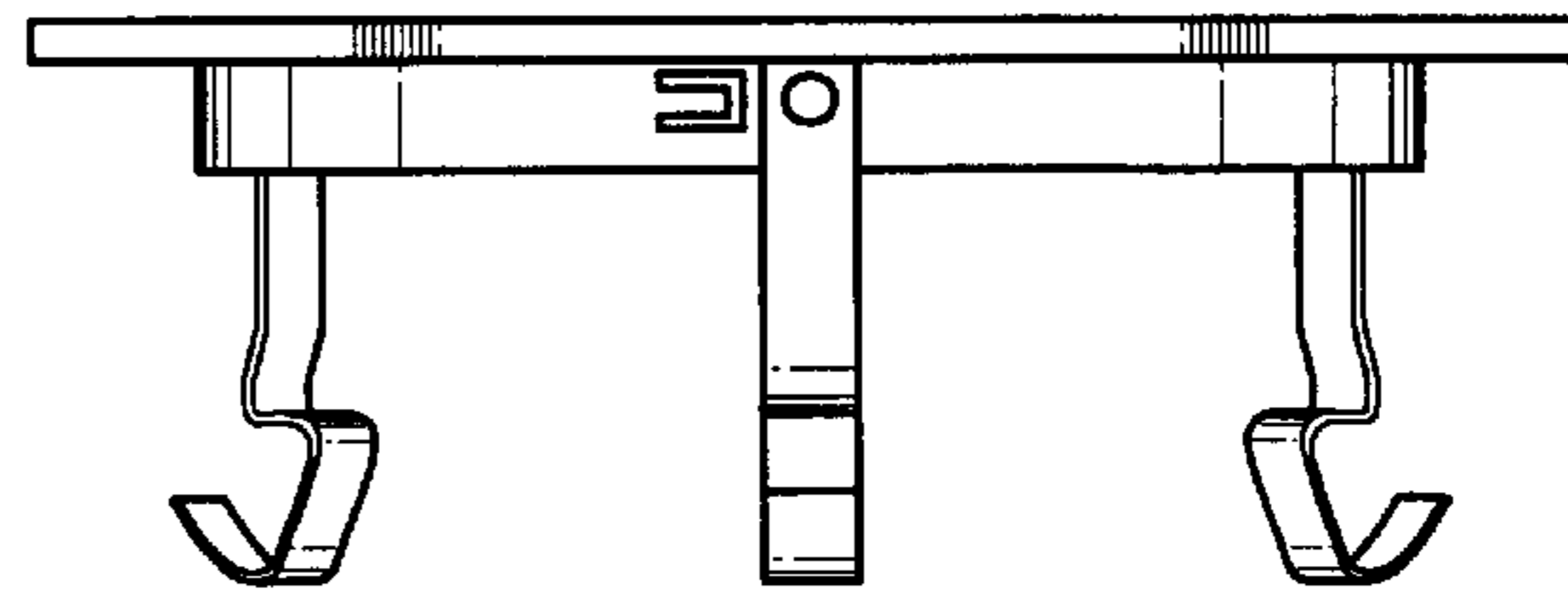


FIG. 5

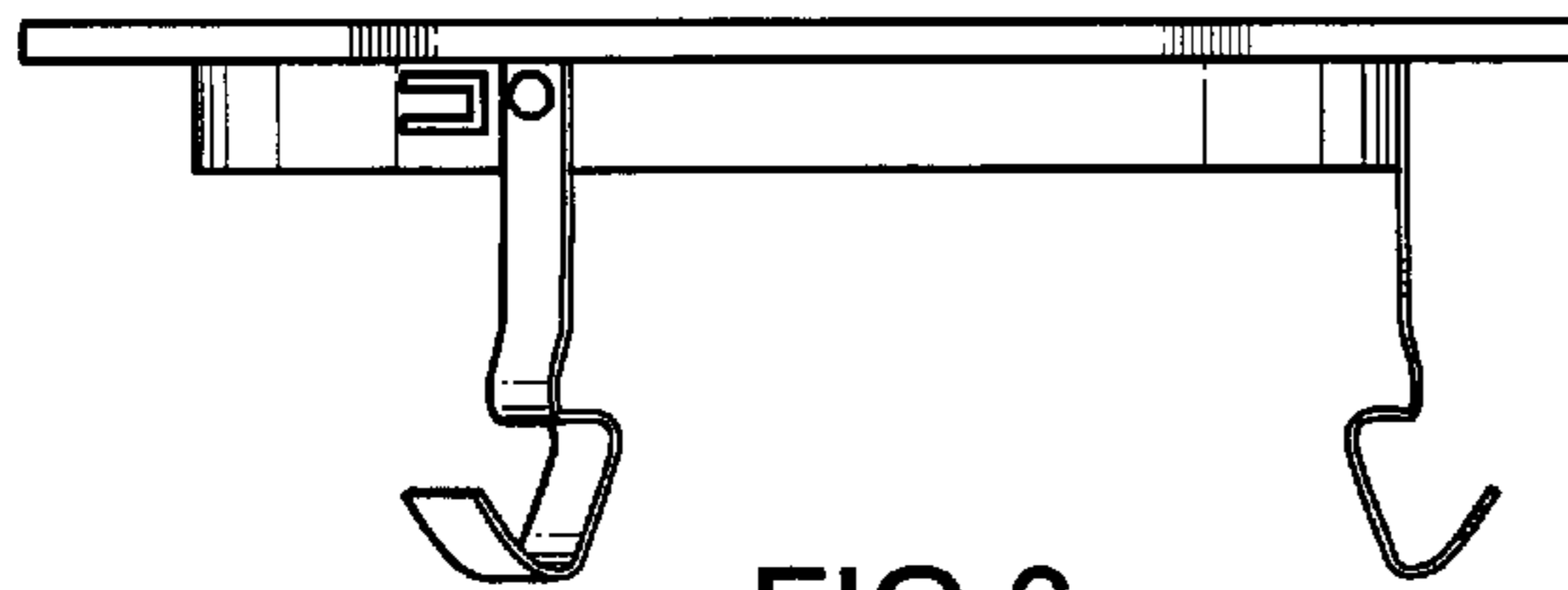


FIG. 6

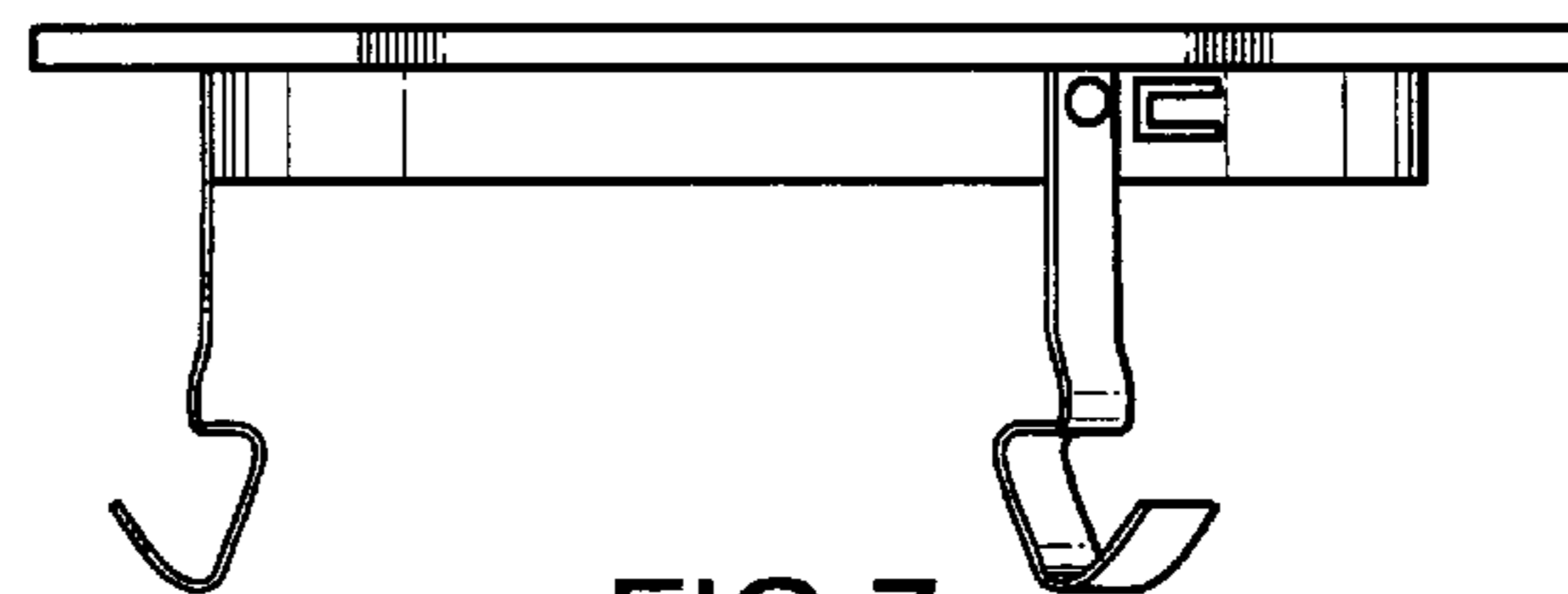


FIG. 7