



US00D510150S

(12) **United States Design Patent** (10) **Patent No.:** **US D510,150 S**  
**Shiu** (45) **Date of Patent:** **\*\* Sep. 27, 2005**

- (54) **TORCH**
- (75) Inventor: **Wai Lin Shiu**, Hong Kong (CN)
- (73) Assignee: **Ascent Fair (Hong Kong) Limited**,  
Hong Kong (CN)
- (\*\*) Term: **14 Years**
- (21) Appl. No.: **29/211,952**
- (22) Filed: **Aug. 24, 2004**
- (30) **Foreign Application Priority Data**

Apr. 30, 2004 (CN) ..... 200430049422

- (51) **LOC (8) Cl.** ..... **26-02**
- (52) **U.S. Cl.** ..... **D26/49**
- (58) **Field of Search** ..... D26/37-50; 362/157,  
362/158, 171-174, 183-208

(56) **References Cited**

**U.S. PATENT DOCUMENTS**

- D380,846 S \* 7/1997 Kung ..... D26/49
- D411,023 S \* 6/1999 Yau ..... D26/49
- D429,014 S \* 8/2000 Stephens ..... D26/49
- D445,934 S \* 7/2001 Dalton et al. .... D26/49
- D451,225 S \* 11/2001 Chien ..... D26/49
- D452,025 S \* 12/2001 Poon ..... D26/49

D483,136 S \* 12/2003 Poon ..... D26/37

\* cited by examiner

*Primary Examiner*—Marcus A. Jackson  
(74) *Attorney, Agent, or Firm*—RatnerPrestia

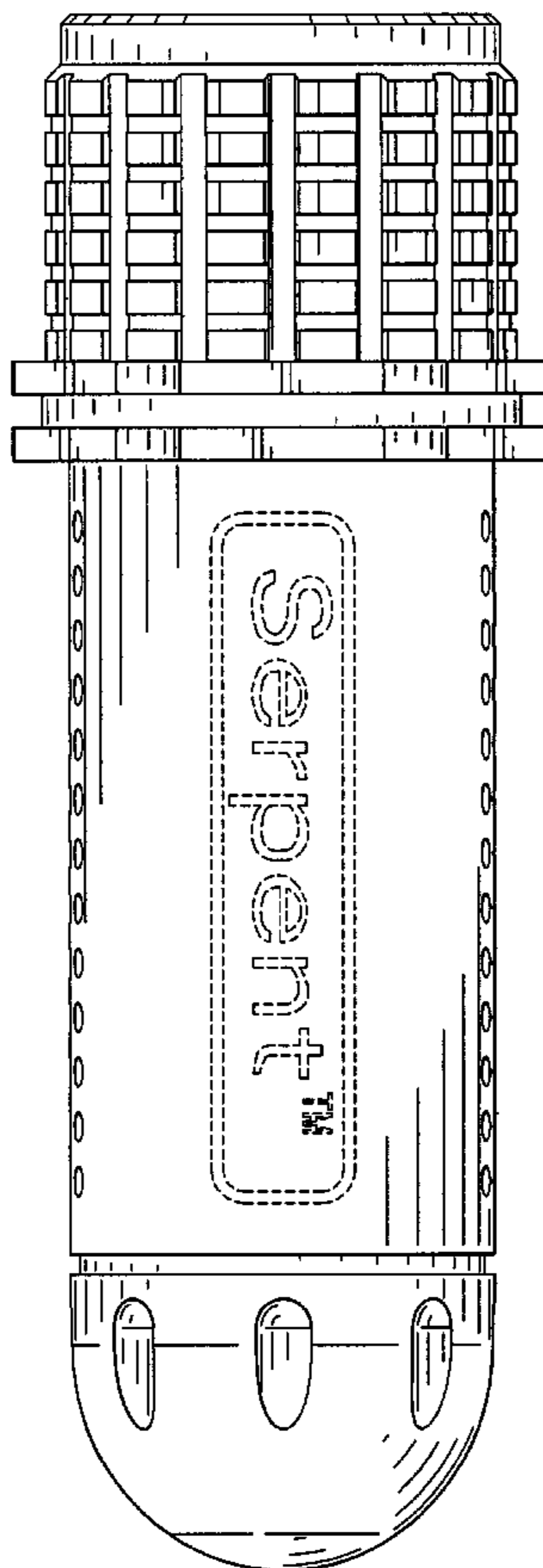
(57) **CLAIM**

The ornamental design for a torch, as shown and described.

**DESCRIPTION**

FIG. 1 is a front view of a torch according to the present design, with the broken line showing for illustrative purposes only and forming no part of the claimed design; FIG. 2 is a rear view of a torch according to the present design; FIG. 3 is a right view of a torch according to the present design; FIG. 4 is a left view of a torch according to the present design; FIG. 5 is a bottom view of a torch according to the present design; FIG. 6 is a top view of a torch according to the present design; and, FIG. 7 is a perspective view of a torch according to the present design.

**1 Claim, 6 Drawing Sheets**



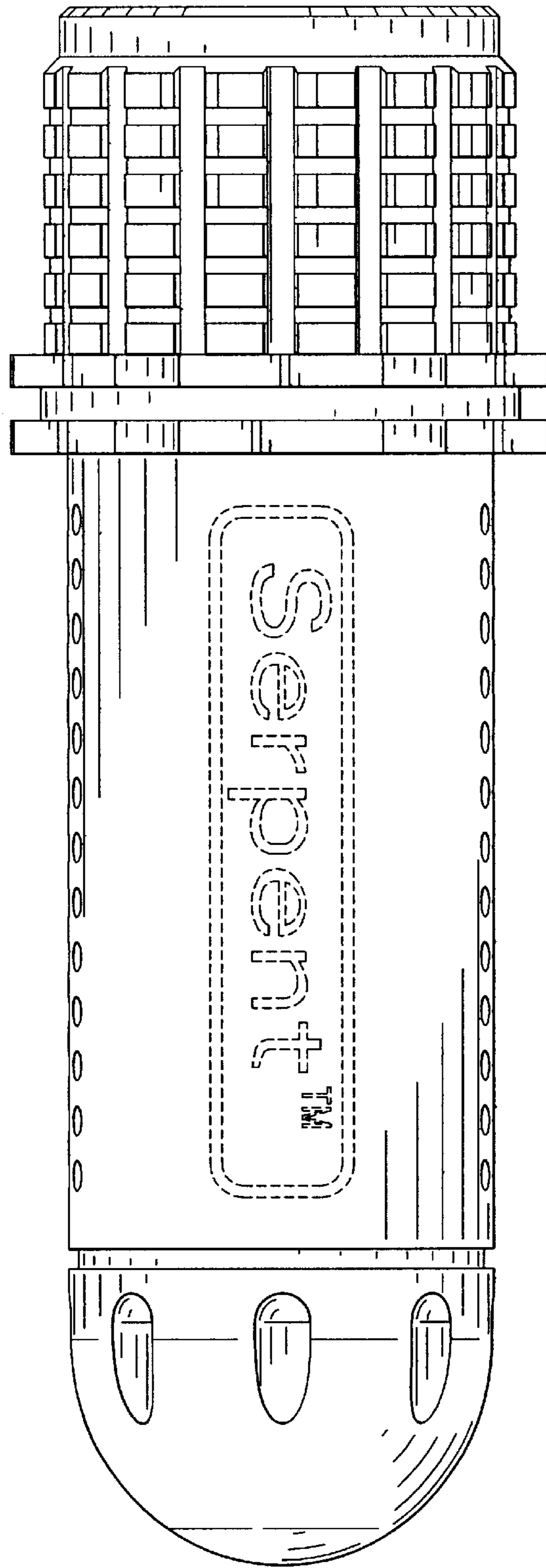


FIG. 1

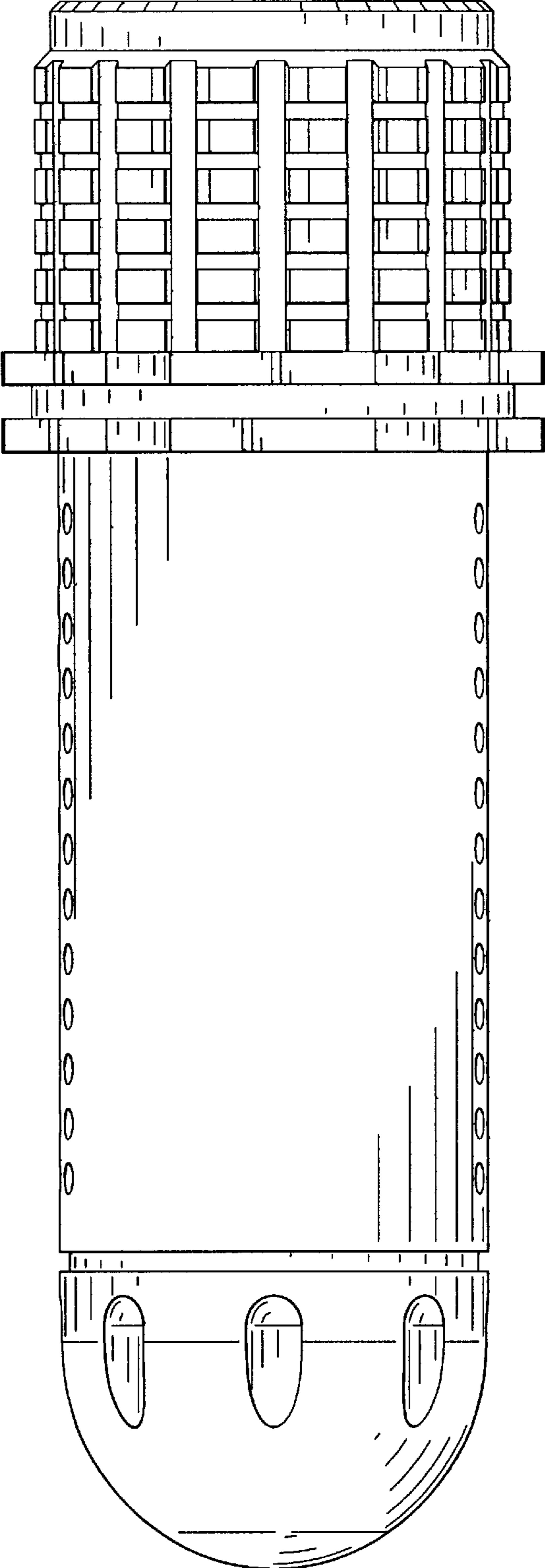


FIG. 2

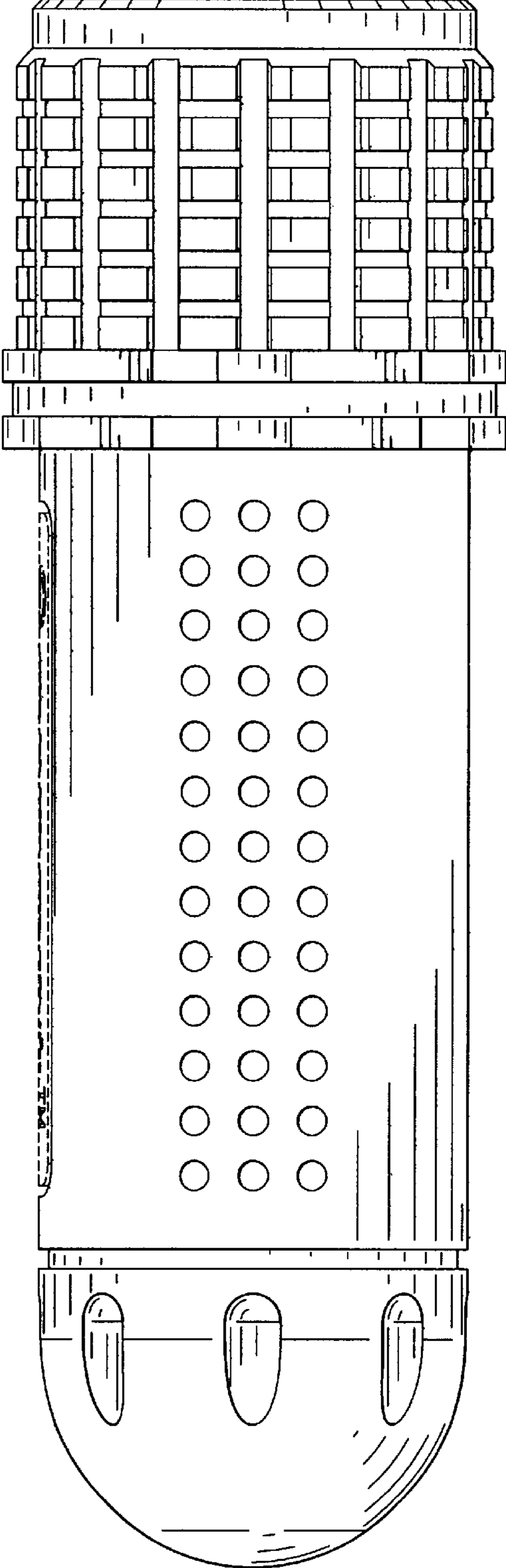


FIG. 3

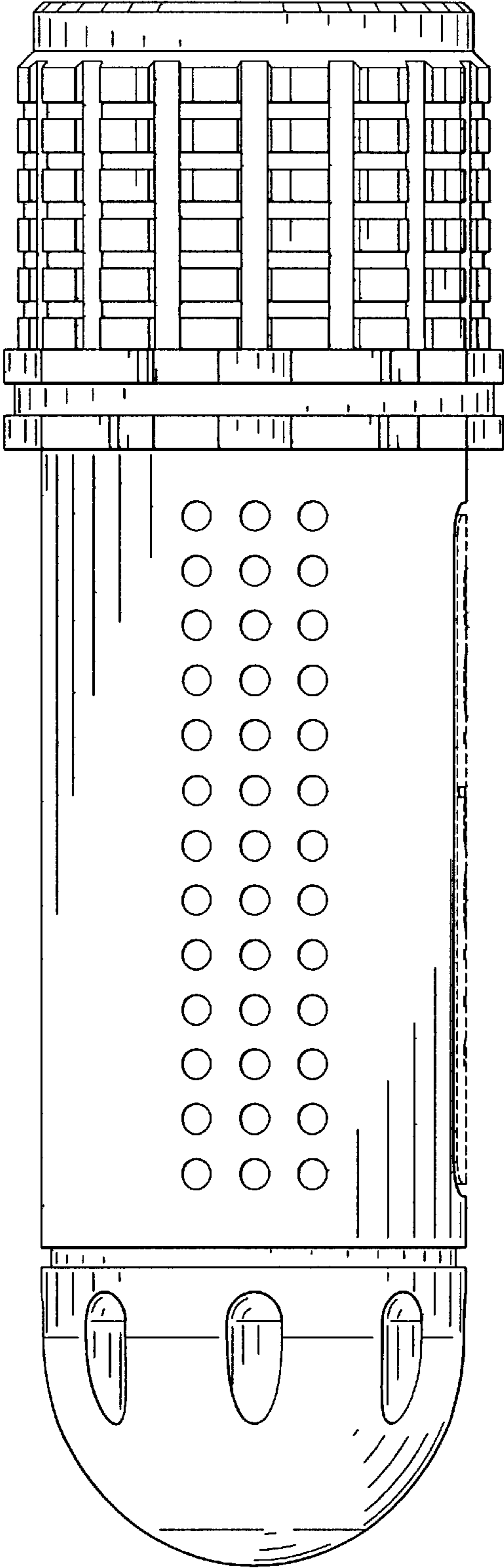


FIG. 4

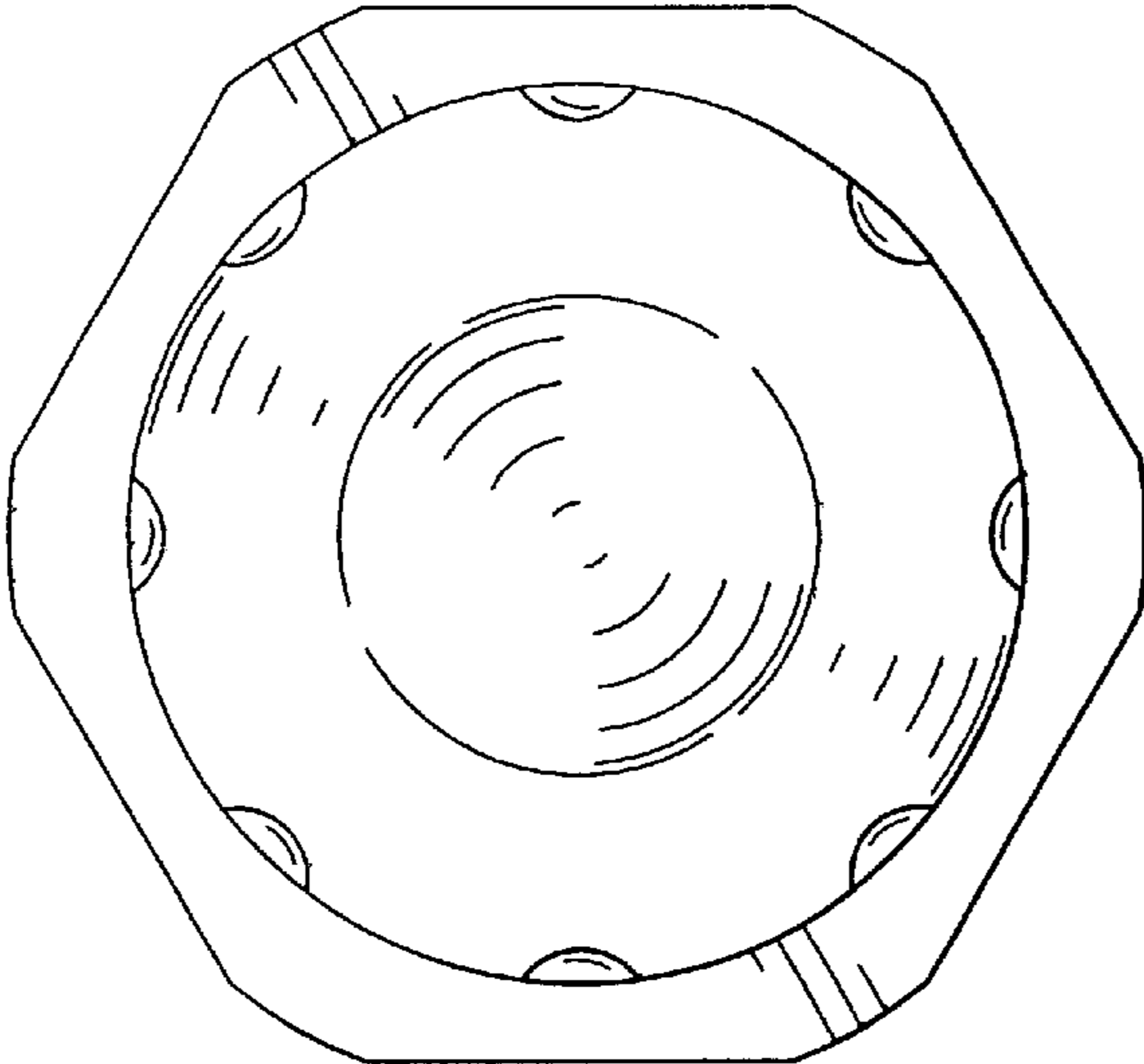


FIG. 5

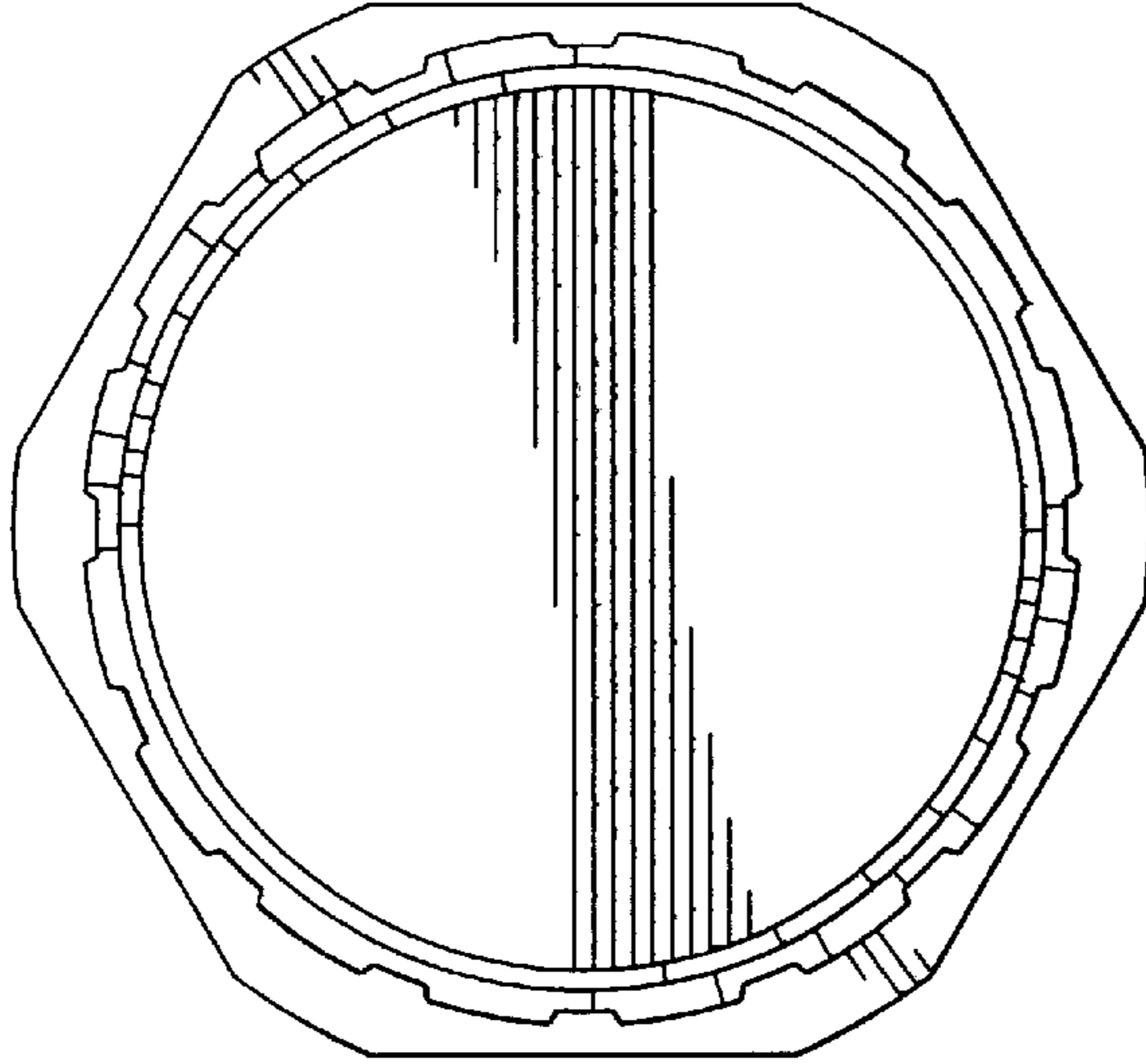


FIG. 6

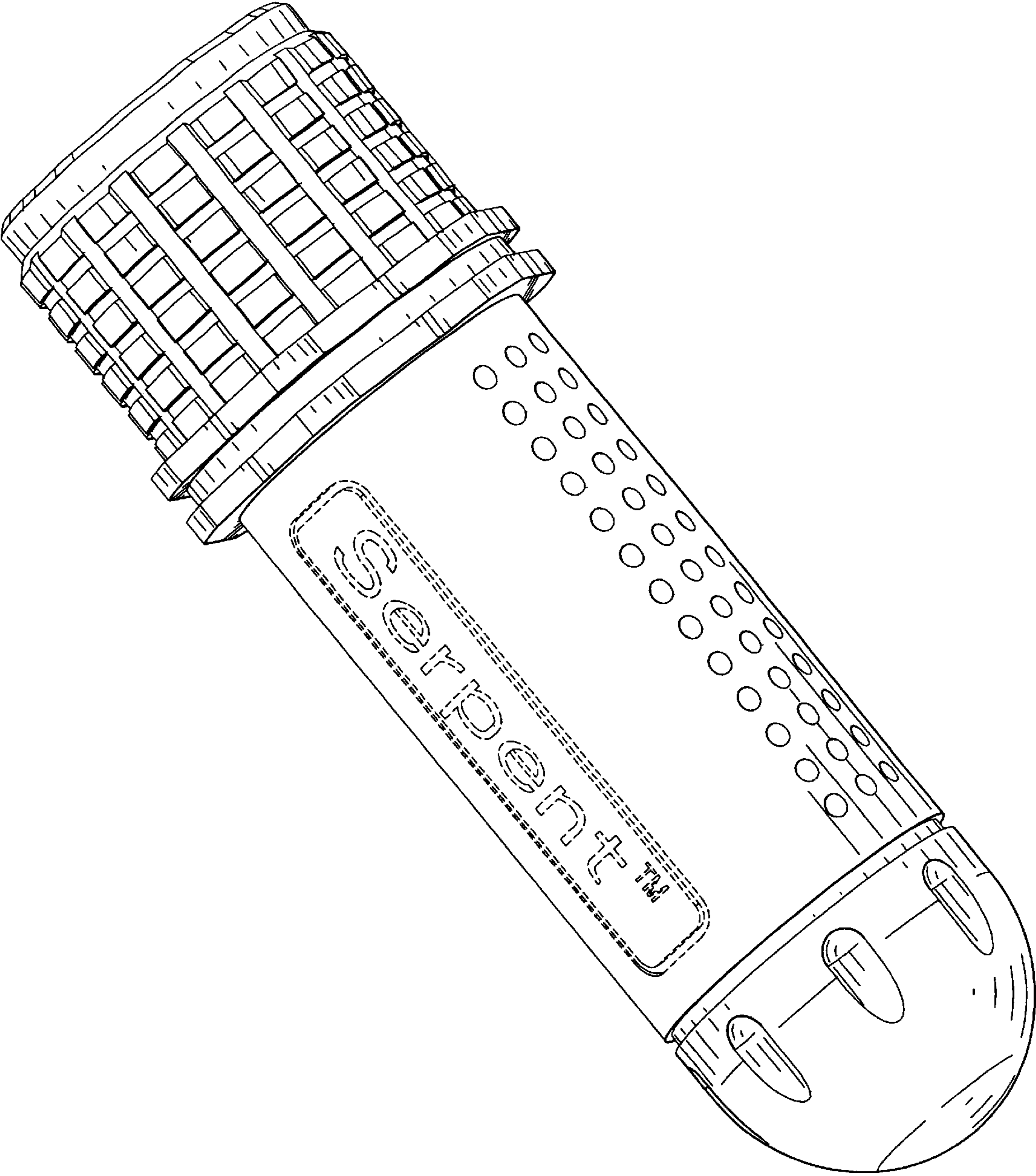


FIG. 7