



US00D510147S

(12) **United States Design Patent**
Huang

(10) **Patent No.:** **US D510,147 S**
(45) **Date of Patent:** **** Sep. 27, 2005**

(54) **VEHICLE MARKER LIGHTS WITH CHROME RIM**

(75) **Inventor:** **Nan Huang Huang**, Rancho Palos Verdes, CA (US)

(73) **Assignee:** **Grand General Accessories Manufacturing Inc.**, Compton, CA (US)

(**) **Term:** **14 Years**

(21) **Appl. No.:** **29/217,478**

(22) **Filed:** **Nov. 17, 2004**

(51) **LOC (8) Cl.** **26-06**

(52) **U.S. Cl.** **D26/28**

(58) **Field of Search** D26/28-36; 362/61, 362/80, 81, 82, 83, 83.4, 267, 269, 275, 330-340

(56) **References Cited**

U.S. PATENT DOCUMENTS

- D463,871 S * 10/2002 Yamaguchi et al. D26/28
- D465,860 S * 11/2002 Huang D26/28
- D498,549 S * 11/2004 Campagna D26/28

* cited by examiner

Primary Examiner—Marcus A. Jackson

(74) *Attorney, Agent, or Firm*—Thomas I. Rozsa; Tony D. Chen

(57) **CLAIM**

The ornamental design for vehicle marker lights with chrome rim, as shown and described.

DESCRIPTION

FIG. 1 is a perspective view of my invention of a new design of vehicle marker lights with chrome rim, showing a preferred embodiment of the new design with one light bulb or light emitting diode (LED);

FIG. 2 is a top view of the embodiment shown in FIG. 1; FIG. 3 is a bottom view of the embodiment shown in FIG. 1;

FIG. 4 is a front elevation view of the embodiment shown in FIG. 1, the opposite back elevation view being identical; FIG. 5 is a right side elevation view of the embodiment shown in FIG. 1, the opposite left side elevation view being identical;

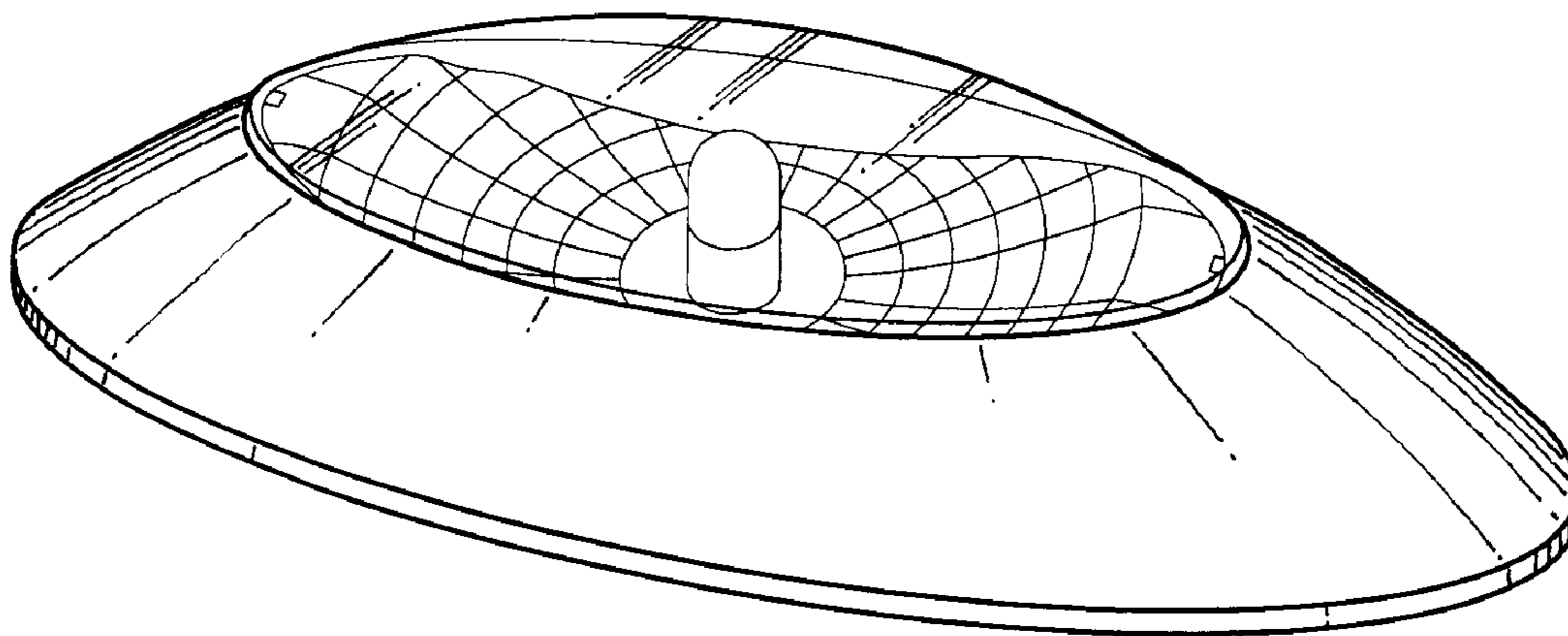
FIG. 6 is a perspective view of my invention of a new design of vehicle marker lights with chrome rim, showing a preferred alternative embodiment of the new design with multiple light bulbs or LEDs;

FIG. 7 is a top view of the embodiment shown in FIG. 6; FIG. 8 is a bottom view of the embodiment shown in FIG. 6;

FIG. 9 is a front elevation view of the embodiment shown in FIG. 6, the opposite back elevation view being identical; and,

FIG. 10 is a right side elevation view of the embodiment shown in FIG. 6, the opposite left side elevation view being identical.

1 Claim, 2 Drawing Sheets



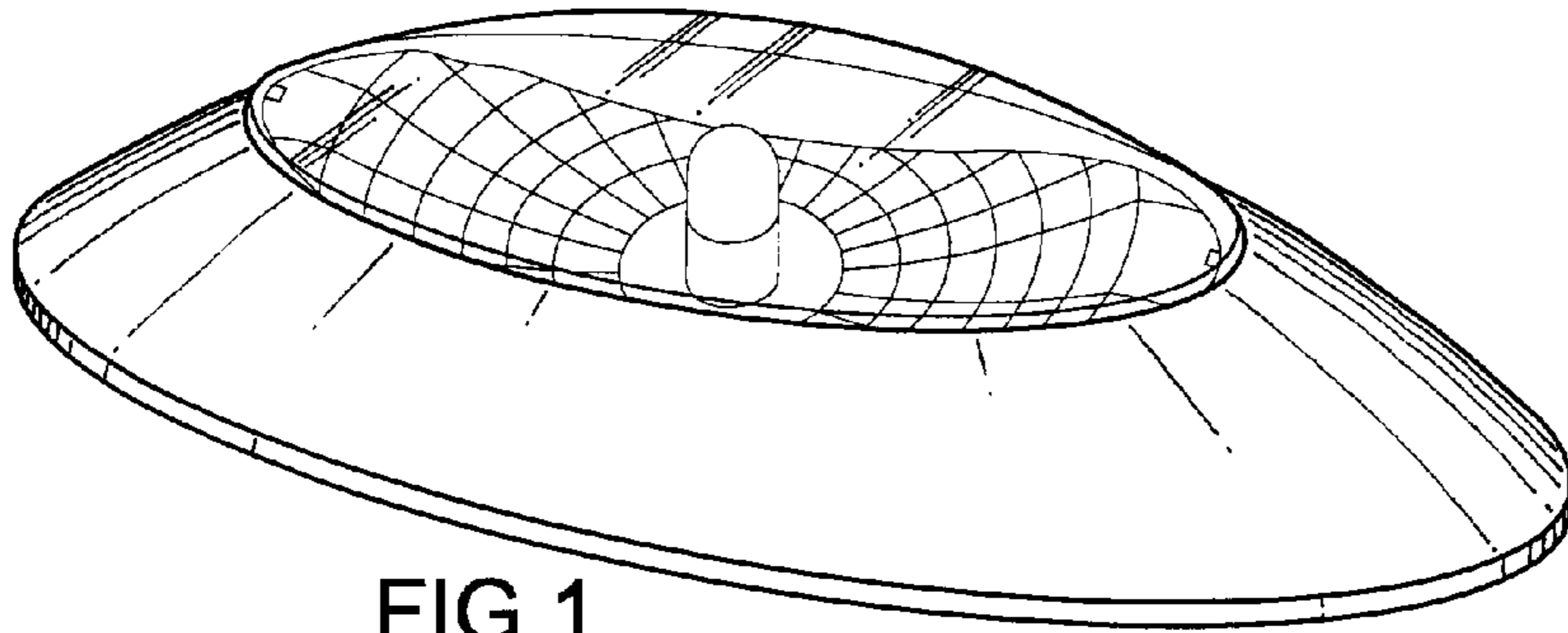


FIG. 1

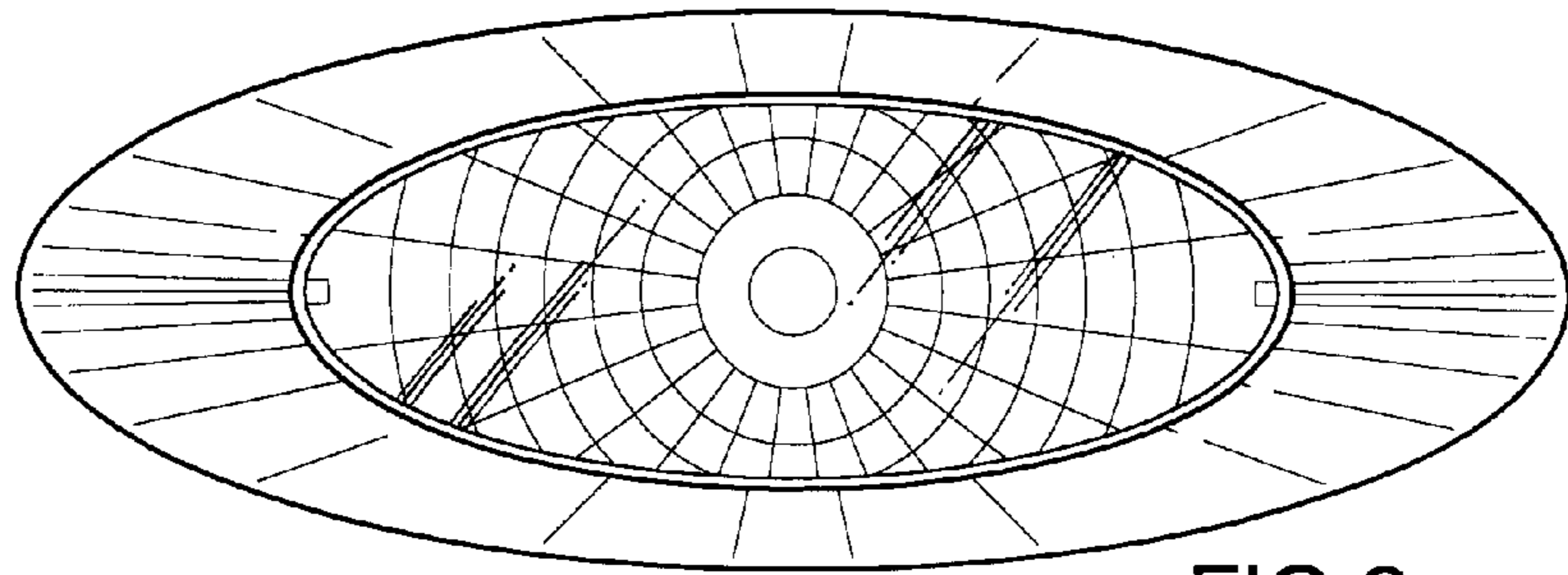


FIG. 2

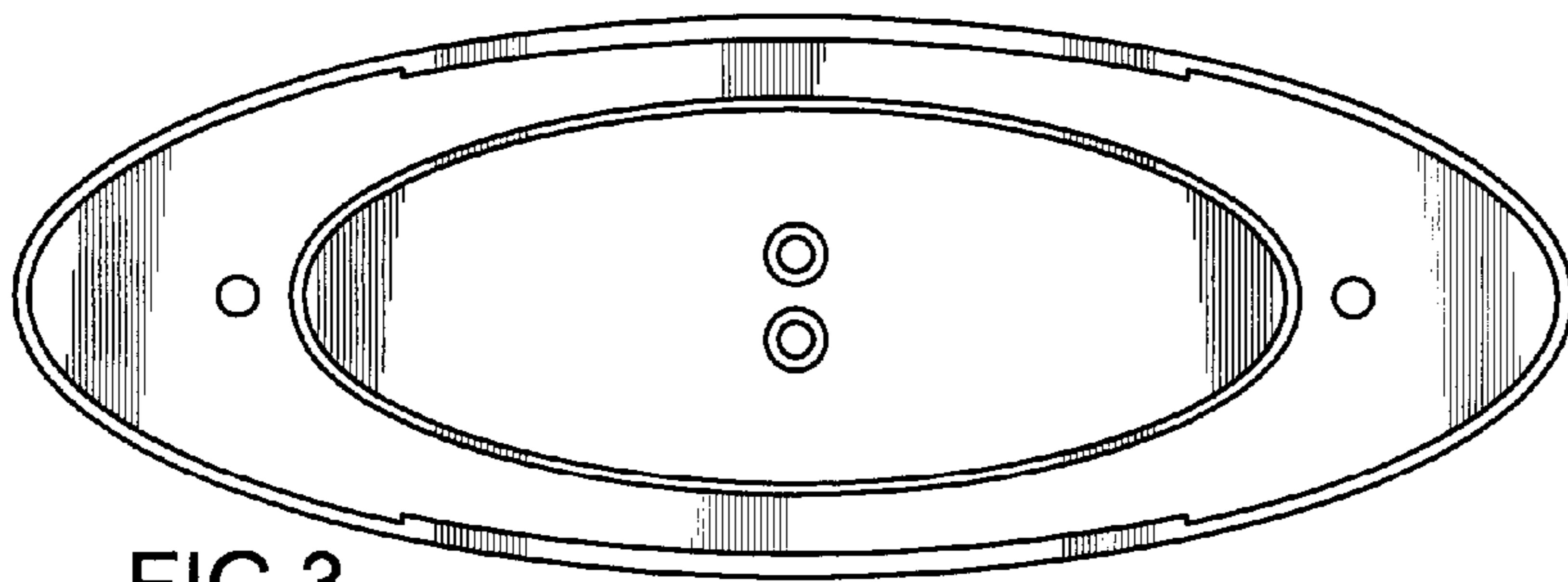


FIG. 3

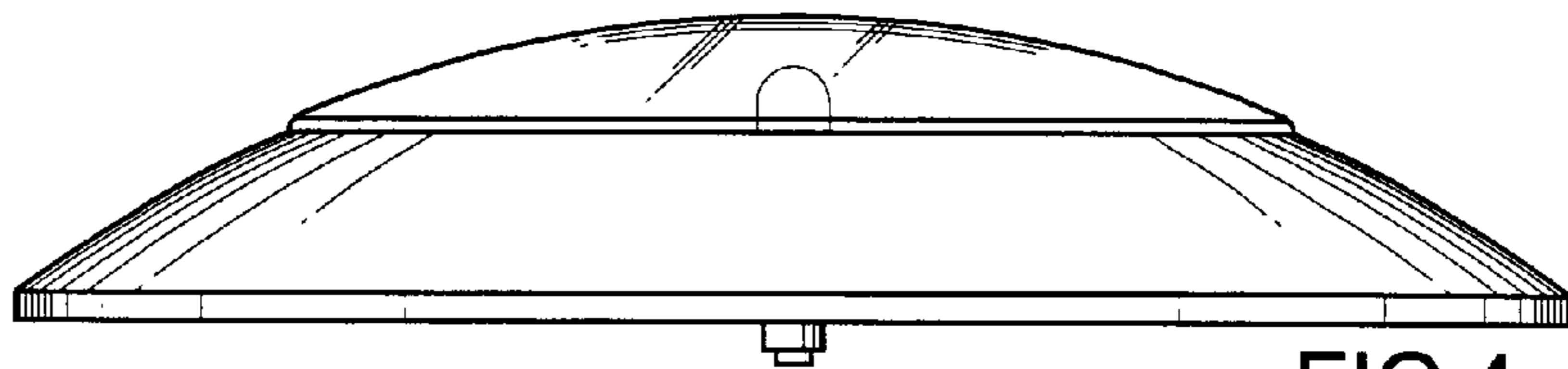


FIG. 4

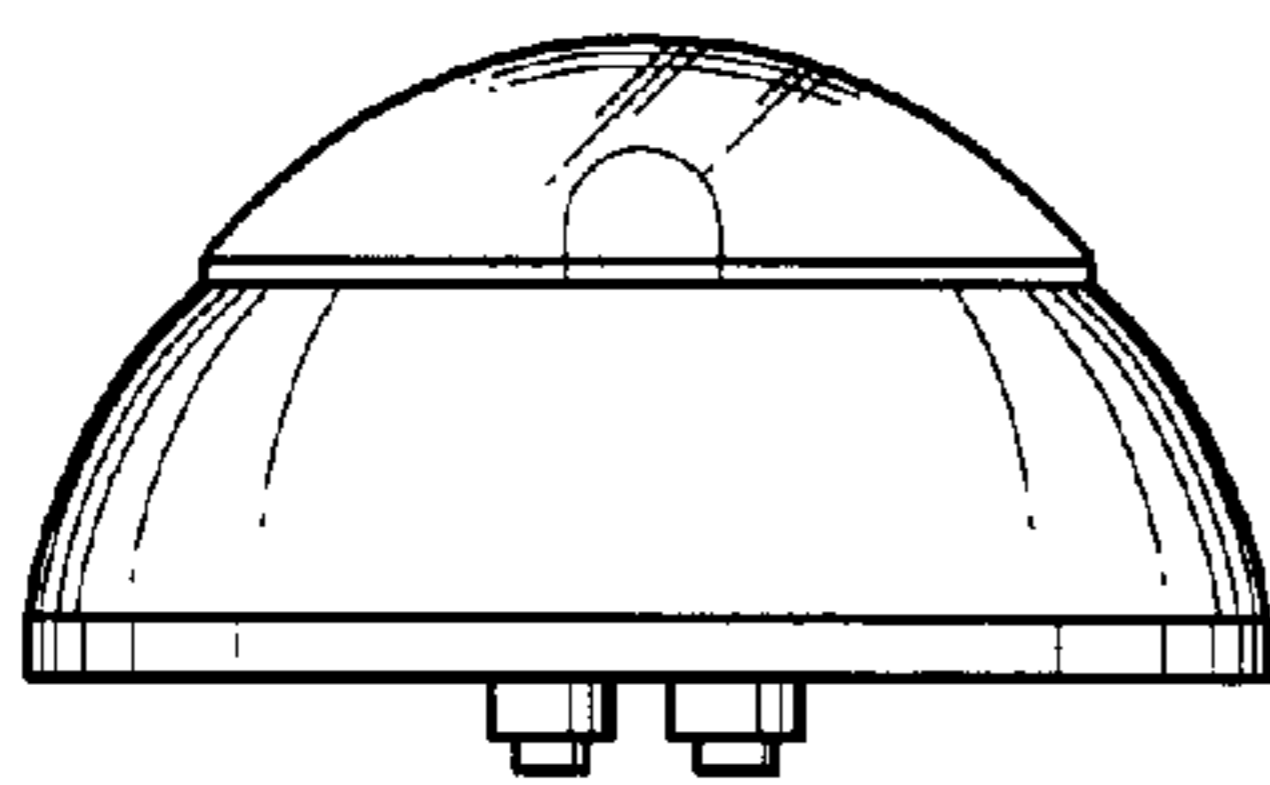


FIG. 5

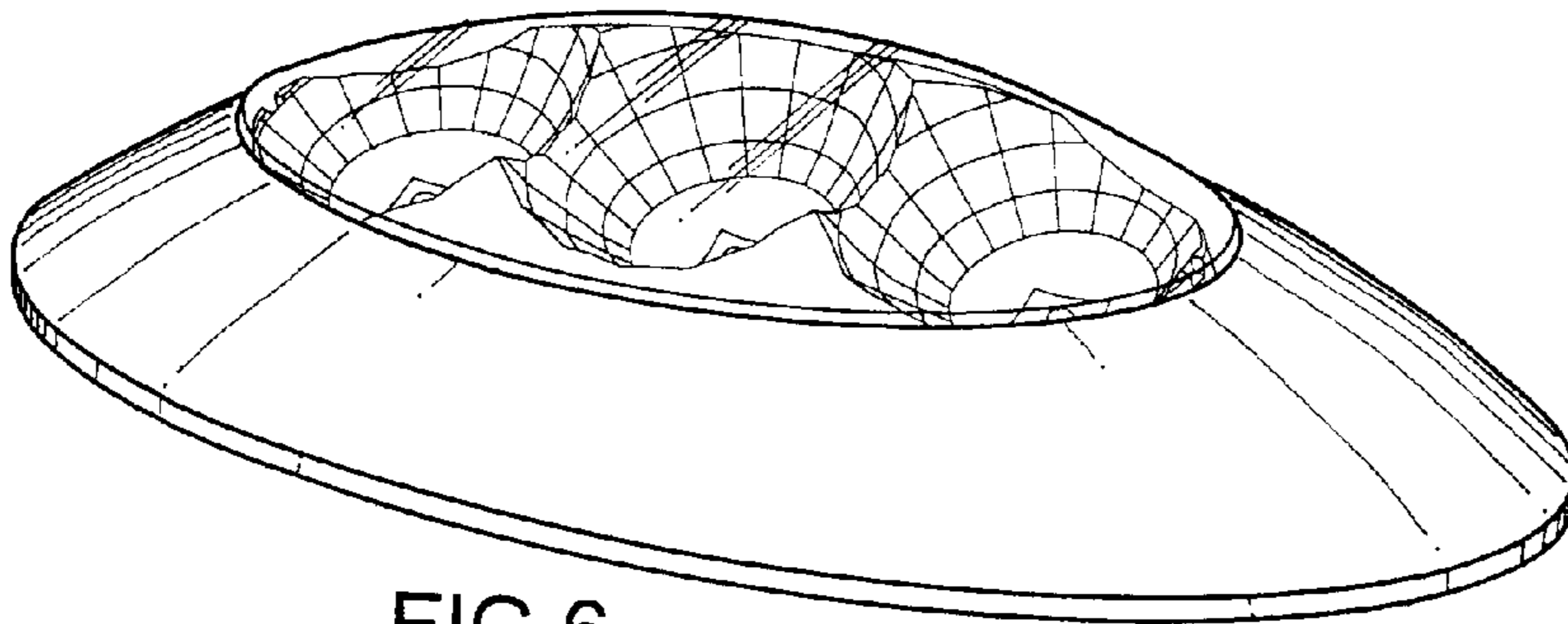


FIG. 6

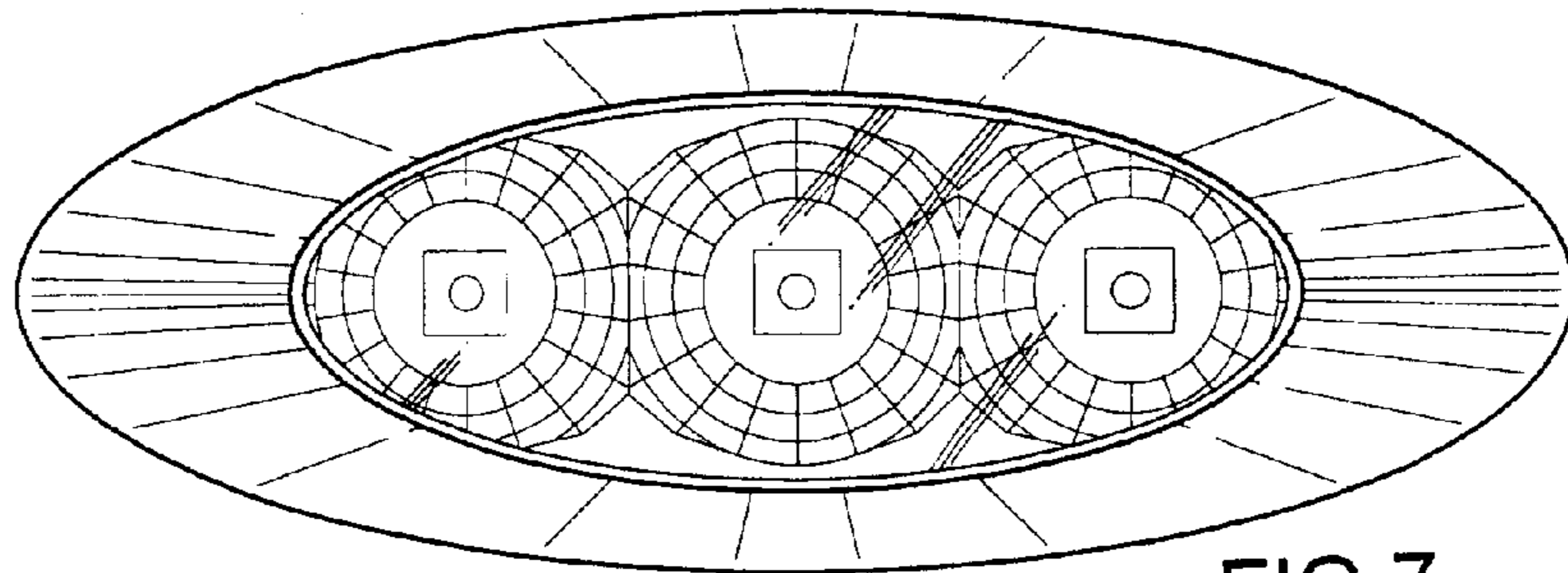


FIG. 7

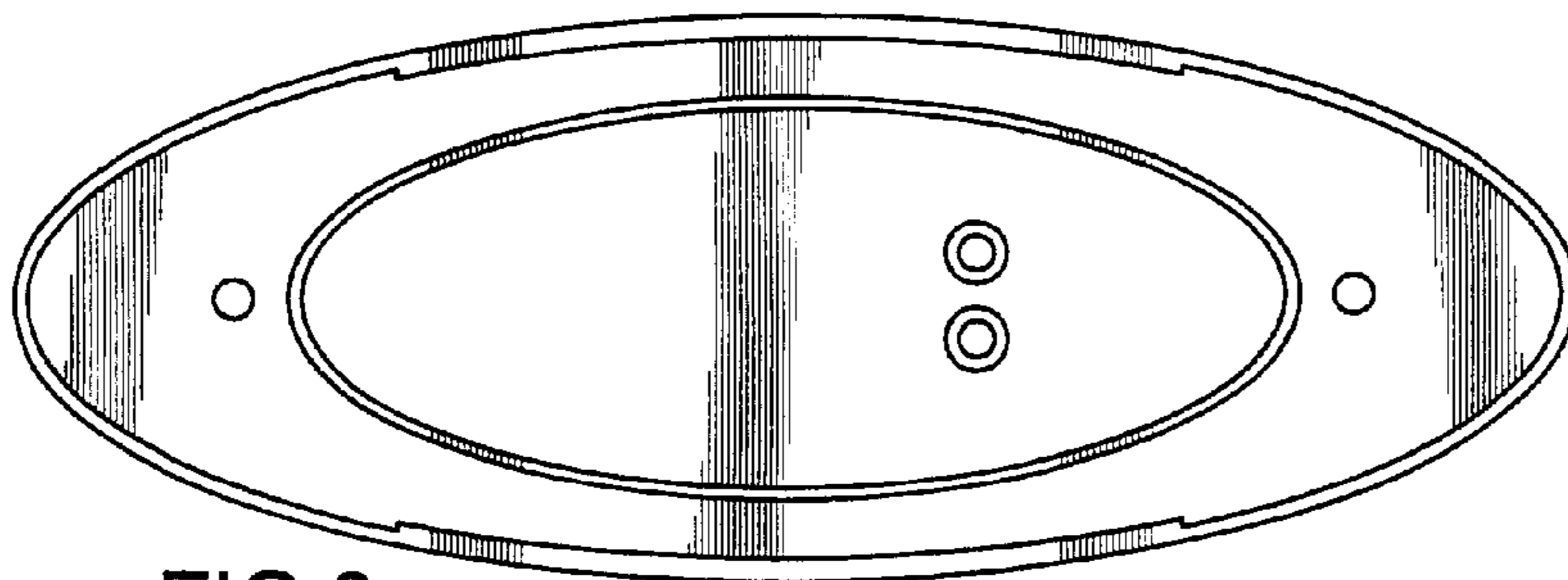


FIG. 8

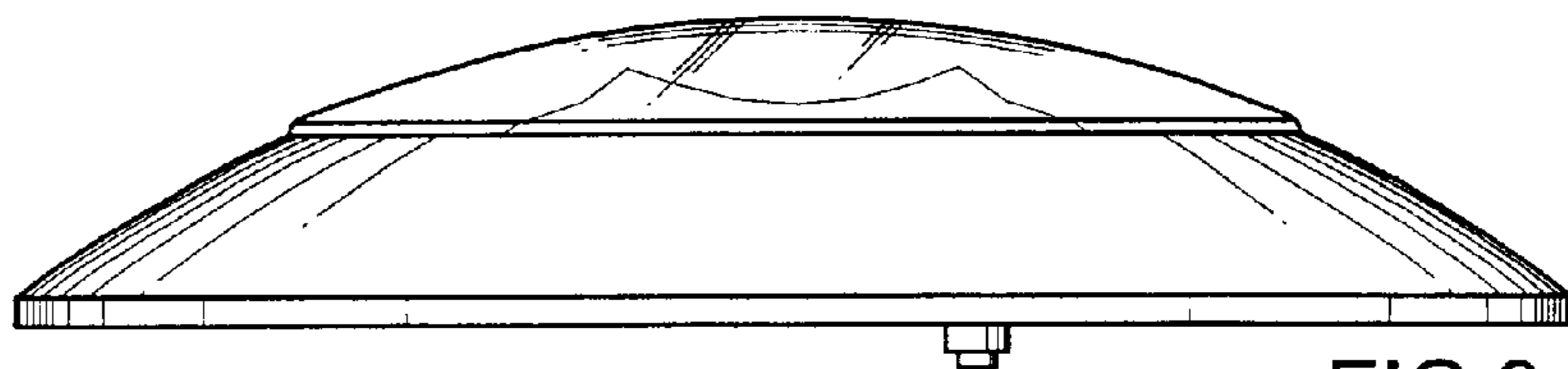


FIG. 9

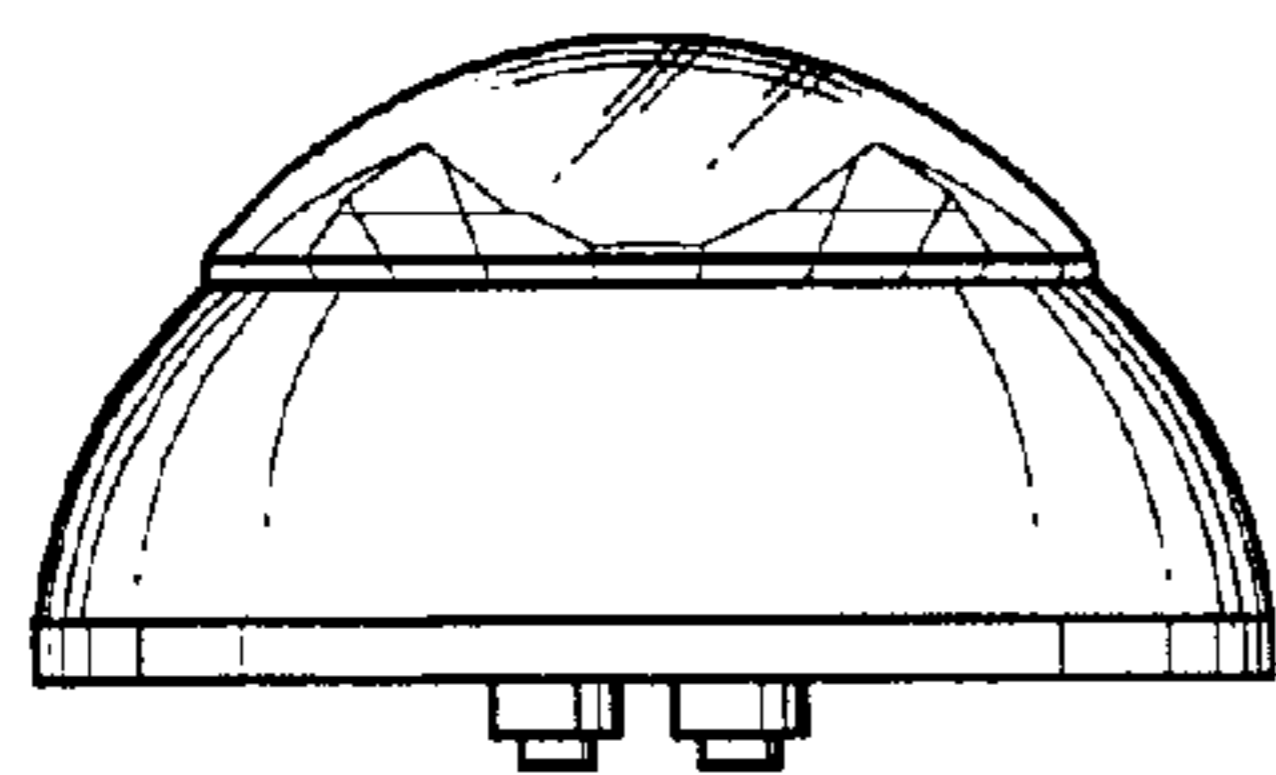


FIG. 10