



US00D510146S

(12) **United States Design Patent**  
**Attebery, II et al.**

(10) **Patent No.: US D510,146 S**  
(45) **Date of Patent: \*\* Sep. 27, 2005**

(54) **MASONRY TILE**  
(76) Inventors: **Harold C. Attebery, II**, 3651 Lancaster Rd., Granville, OH (US) 43023; **Jeffrey E. Klotz**, 175 Fairview Ave., Granville, OH (US) 43023

(\*\*) Term: **14 Years**

(21) Appl. No.: **29/199,530**

(22) Filed: **Feb. 17, 2004**

(51) **LOC (8) Cl. .... 25-01**

(52) **U.S. Cl. .... D25/151**

(58) **Field of Search .... D25/112-118,**  
D25/164, 151; D21/483-484; 405/15-16,  
284, 286; 404/34, 42, 44; 52/612, 503-505,  
596-609

(56) **References Cited**

**U.S. PATENT DOCUMENTS**

948,752 A \* 2/1910 Wightman ..... D25/118

1,432,068 A \* 10/1922 Jones ..... 52/604  
1,584,379 A \* 5/1926 Kelley ..... D25/118  
1,751,272 A \* 3/1930 Forman ..... D25/115  
2,209,283 A \* 7/1940 Ronzone ..... D25/151  
6,851,242 B1 \* 2/2005 Weatherston ..... 52/596

\* cited by examiner

*Primary Examiner*—Robert A. Delehanty  
(74) *Attorney, Agent, or Firm*—Jason H. Foster; Kremblas, Foster, Phillips & Pollick

(57) **CLAIM**

The ornamental design for a masonry tile, as shown.

**DESCRIPTION**

FIG. 1 is a front perspective view of a masonry tile showing our new design.

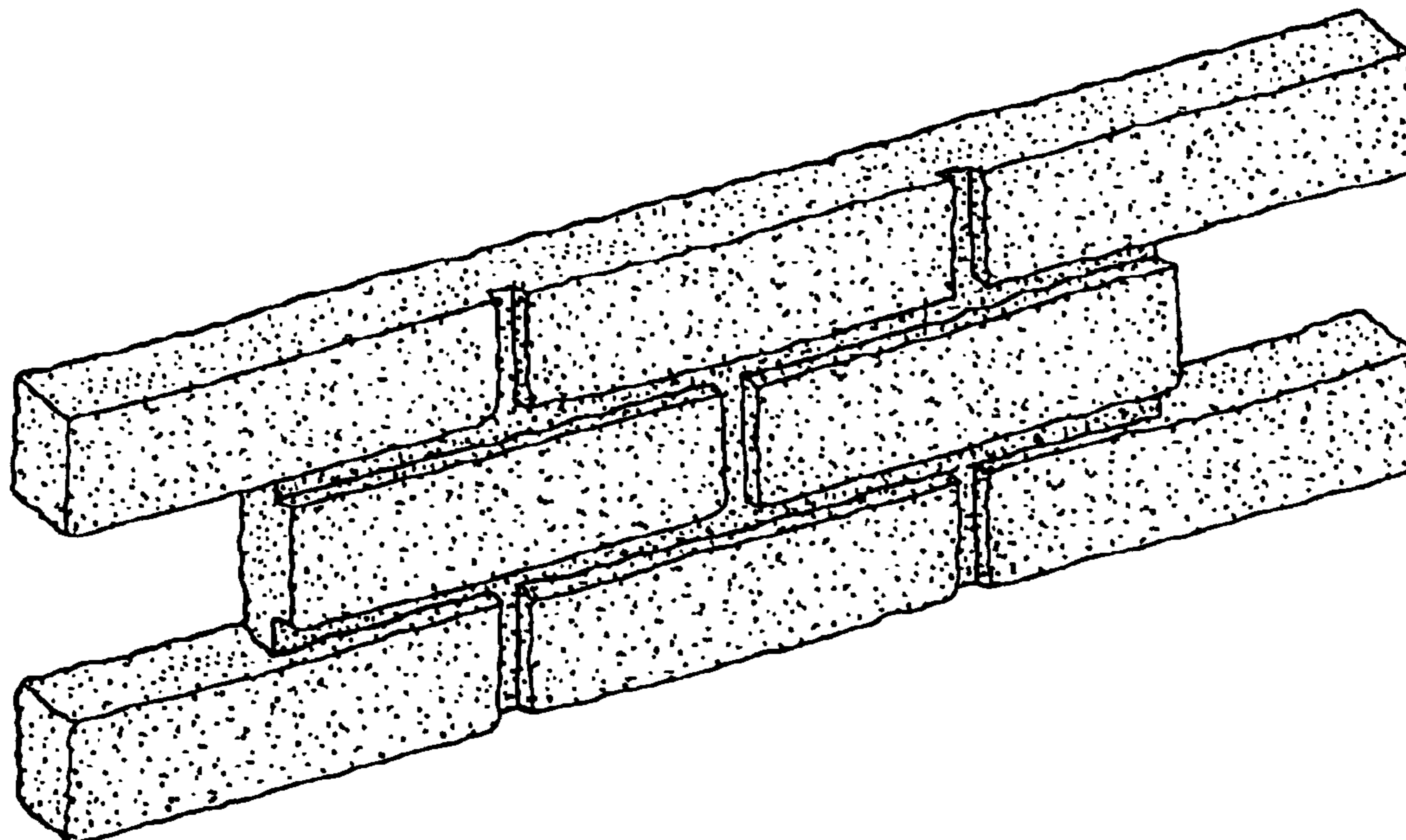
FIG. 2 is a front view thereof.

FIG. 3 is an end view thereof.

FIG. 4 is a side view thereof; and,

FIG. 5 is a rear view thereof.

**1 Claim, 1 Drawing Sheet**



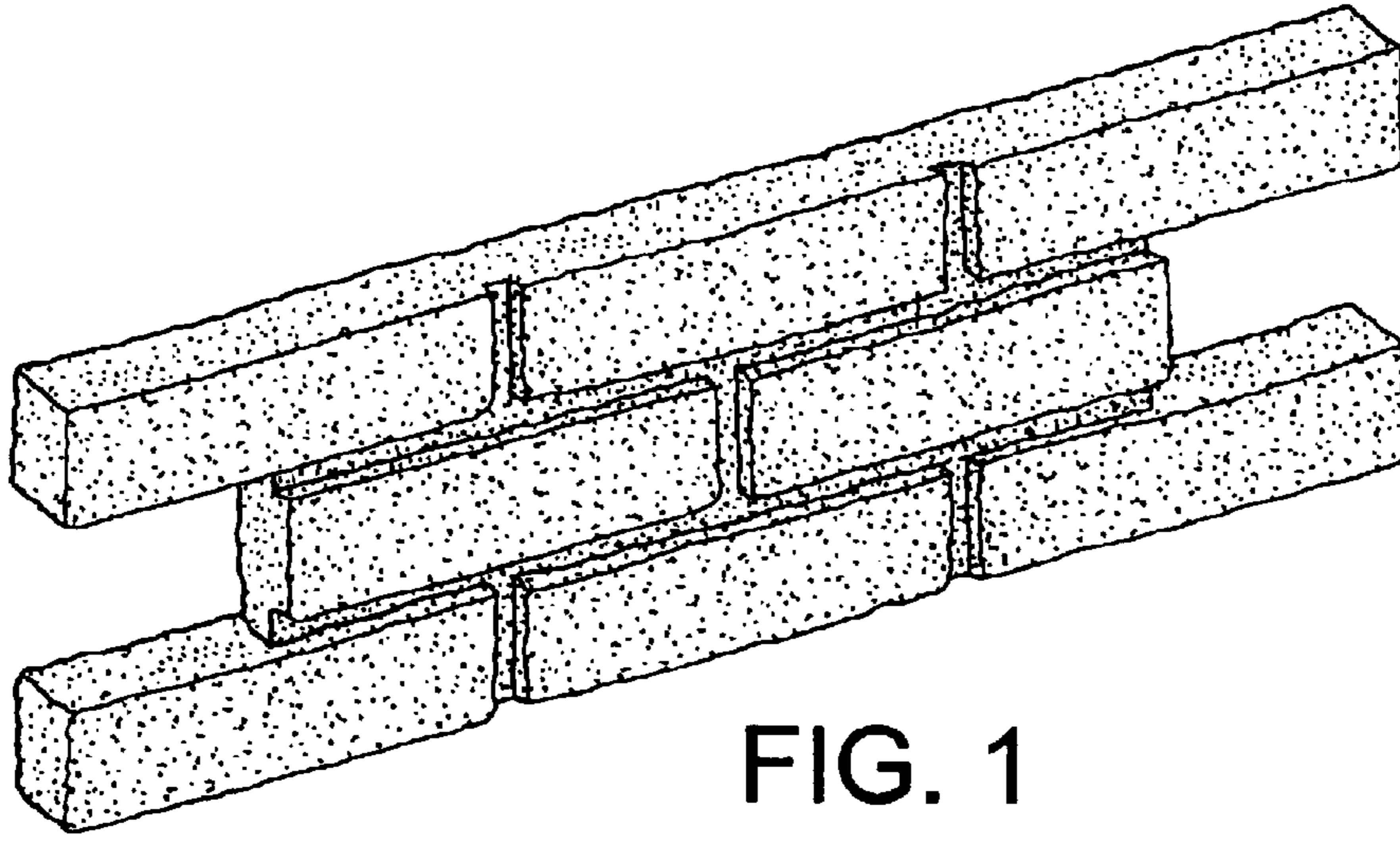


FIG. 1

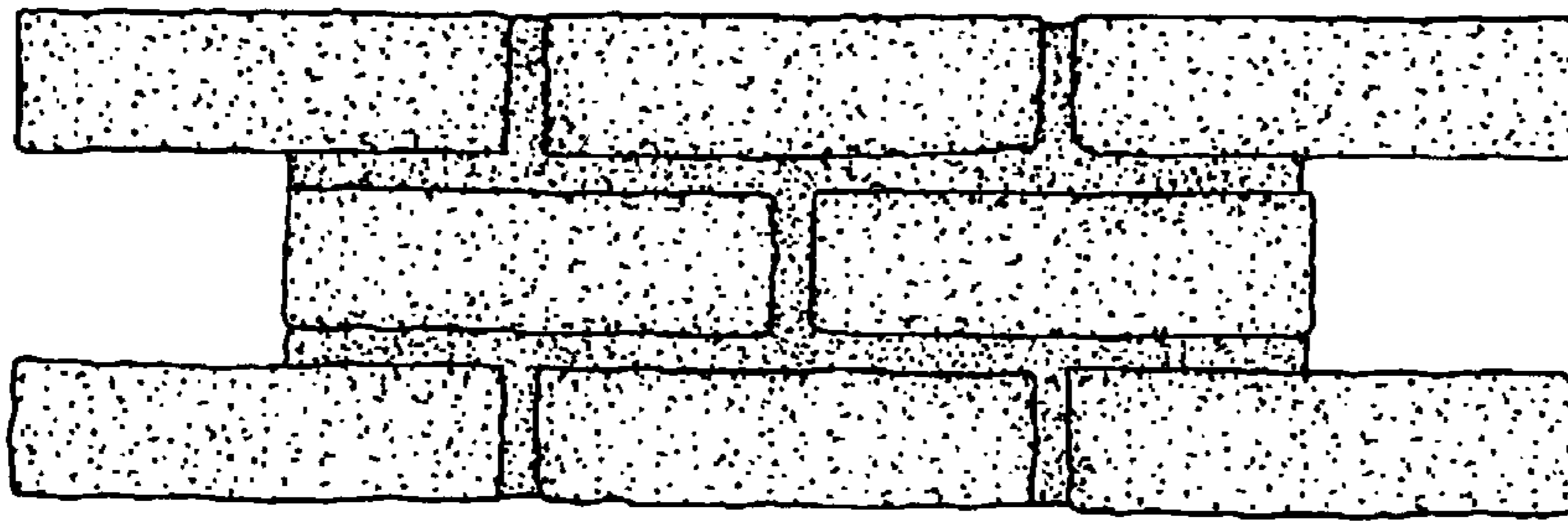


FIG. 2



FIG. 3



FIG. 4

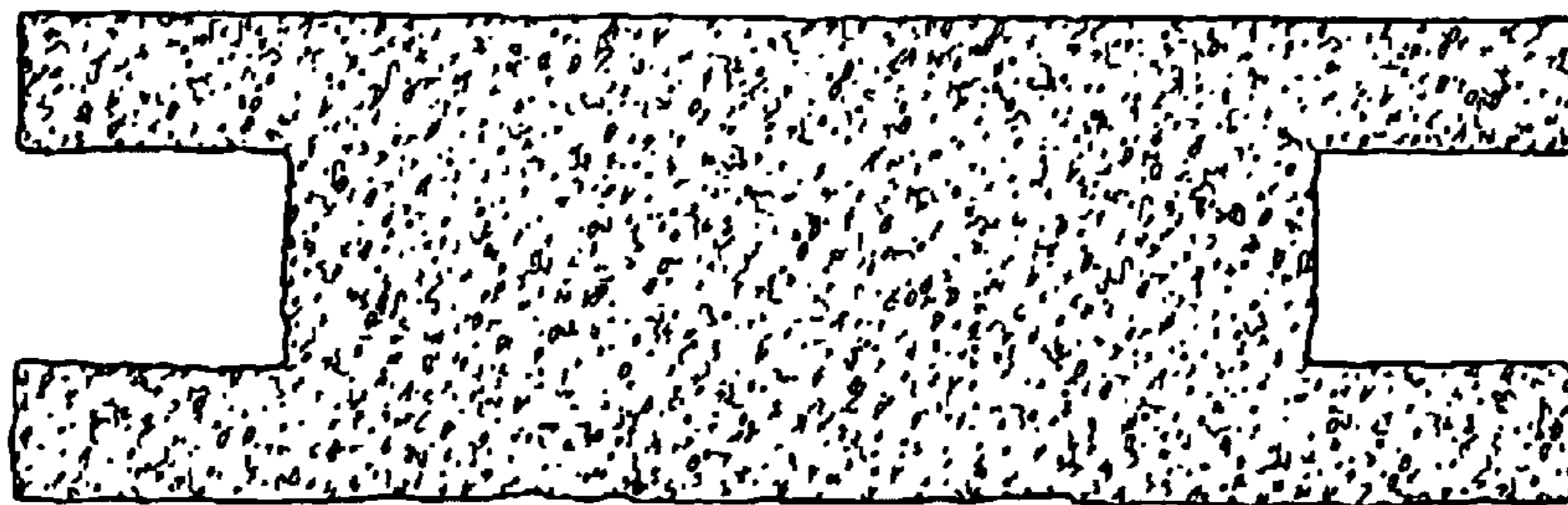


FIG. 5