



US00D510144S

(12) **United States Design Patent**  
**Risi et al.**

(10) **Patent No.: US D510,144 S**  
(45) **Date of Patent: \*\* Sep. 27, 2005**

(54) **RETAINING WALL BLOCK**

(75) Inventors: **Angelo Risi**, Richmond Hill (CA);  
**Tyler Matys**, Aurora (CA)

(73) Assignee: **Jagna Ltd.**, Thornhill (CA)

(\*\*) Term: **14 Years**

(21) Appl. No.: **29/211,352**

(22) Filed: **Aug. 16, 2004**

(51) **LOC (8) Cl.** ..... **25-01**

(52) **U.S. Cl.** ..... **D25/113**

(58) **Field of Search** ..... D25/112-118,  
D25/164, 151; D21/483-486, 499-505;  
405/15-16, 284, 286; 404/34, 37-42, 44-45;  
52/102, 503-505, 596-609, 612

(56) **References Cited**

**U.S. PATENT DOCUMENTS**

5,622,456 A 4/1997 Risi et al.

*Primary Examiner*—Robert A. Delehanty  
(74) *Attorney, Agent, or Firm*—Robic

(57) **CLAIM**

The ornamental design for a retaining wall block, as shown and described.

**DESCRIPTION**

FIG. 1 is a front perspective view of the retaining wall block, showing our new design;

FIG. 2 is a top plan elevational view thereof;

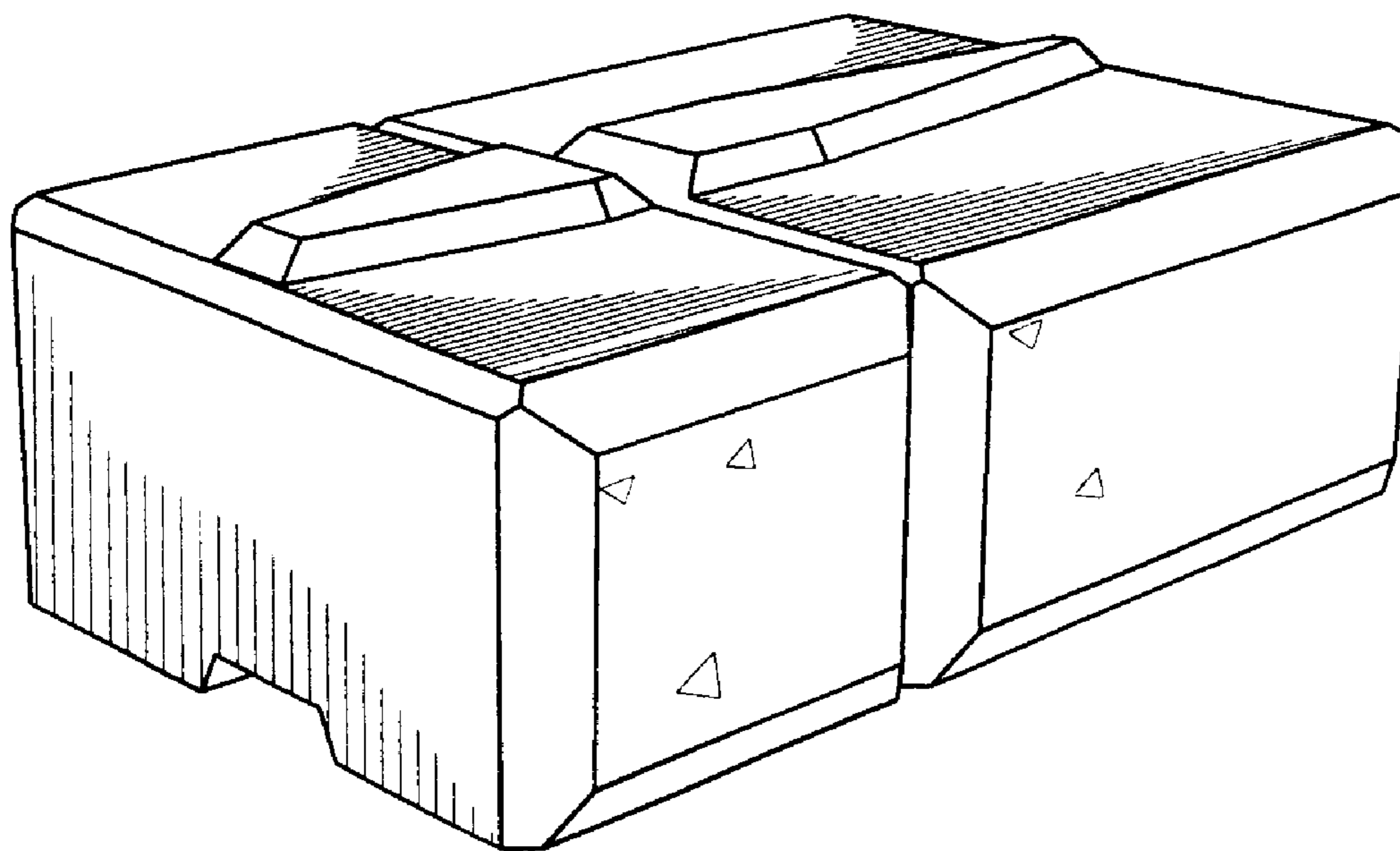
FIG. 3 is a front elevational view thereof;

FIG. 4 is a left side view thereof;

FIG. 5 is a rear side view thereof; and,

FIG. 6 is a bottom plan view thereof.

**1 Claim, 3 Drawing Sheets**



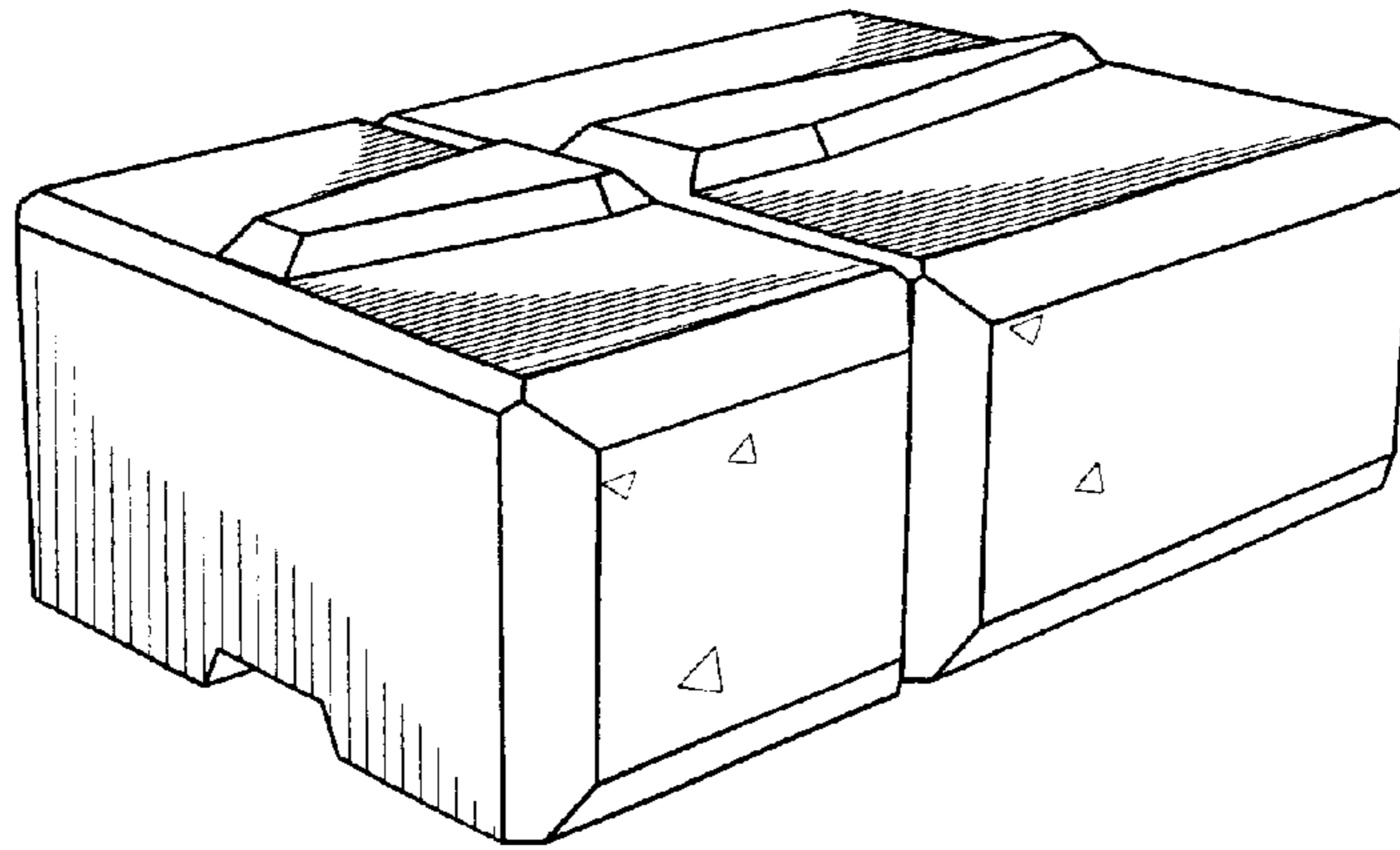


Figure 1

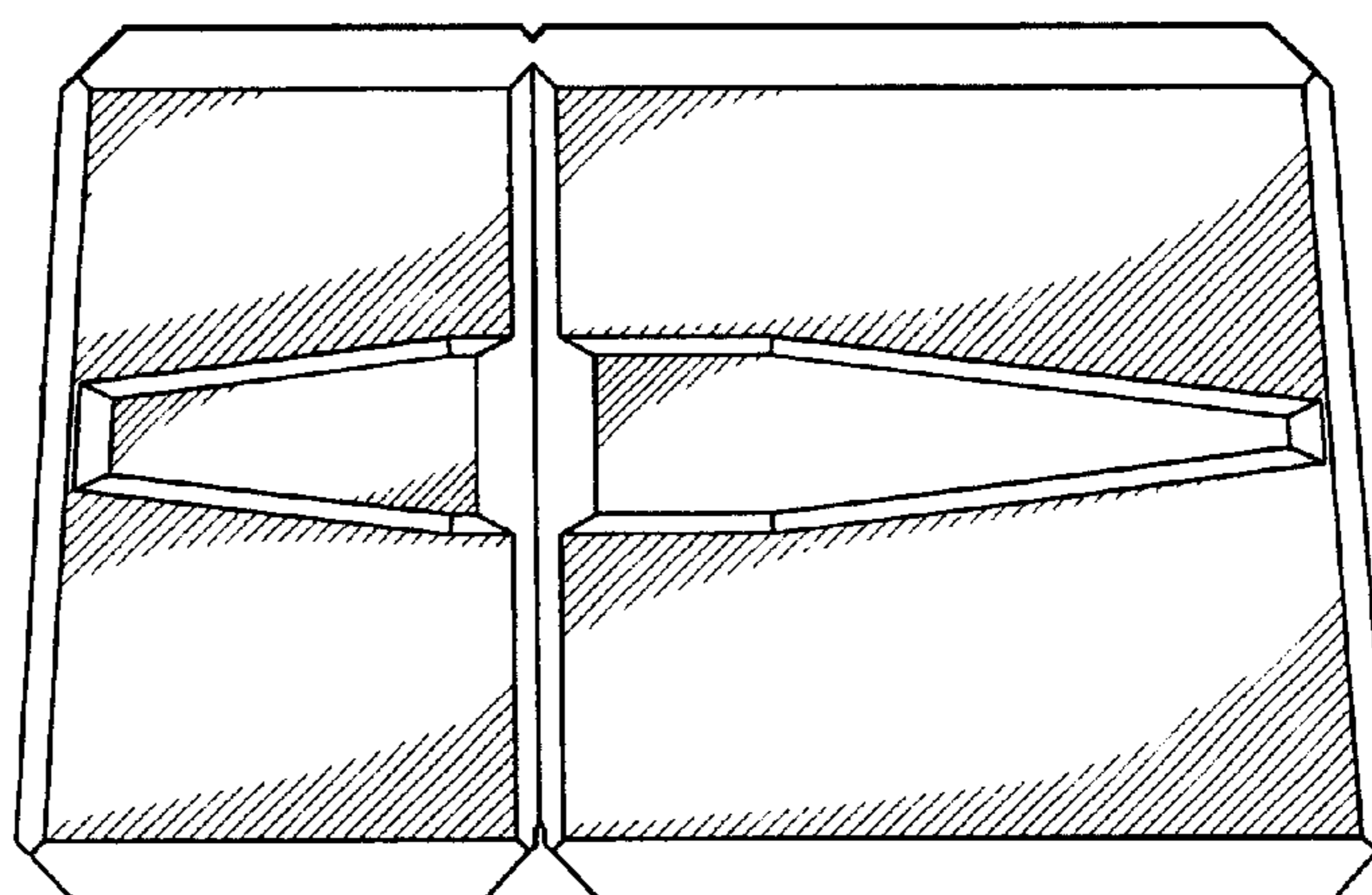


Figure 2

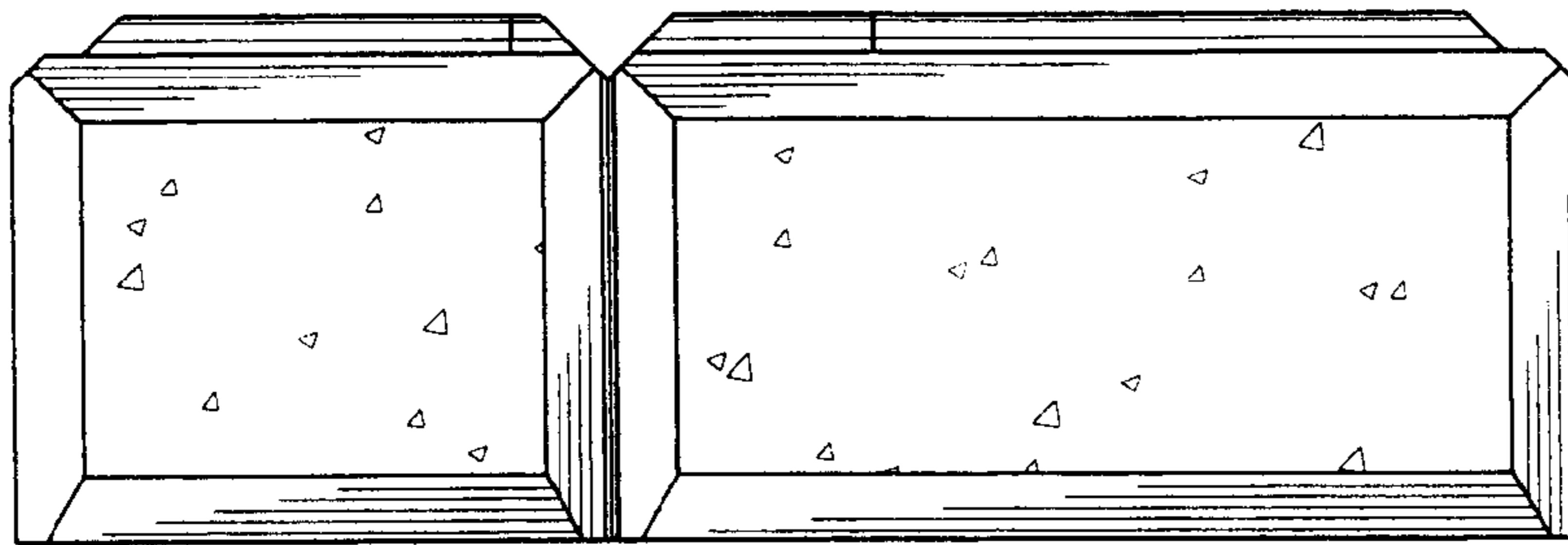


Figure 3

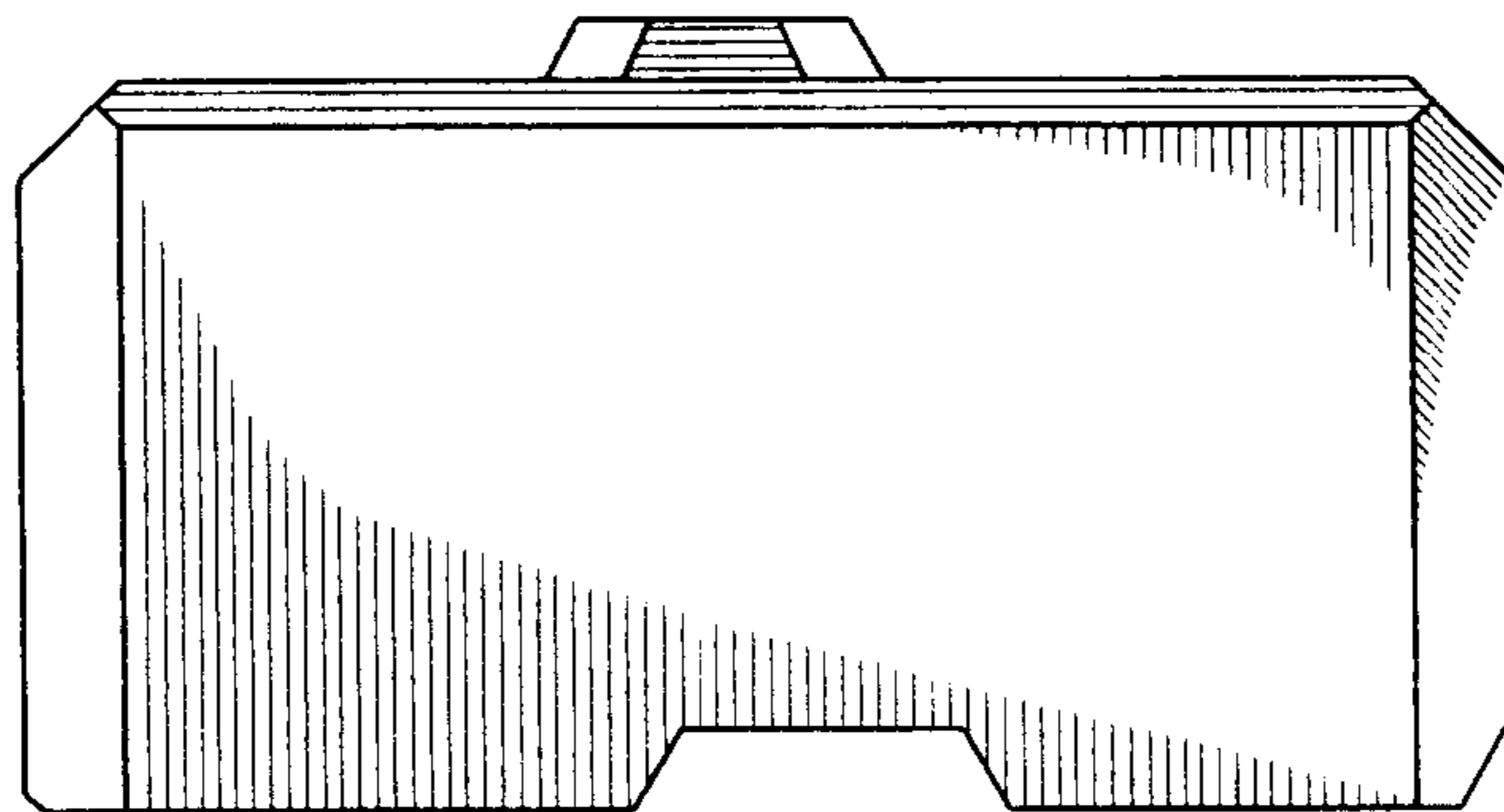


Figure 4

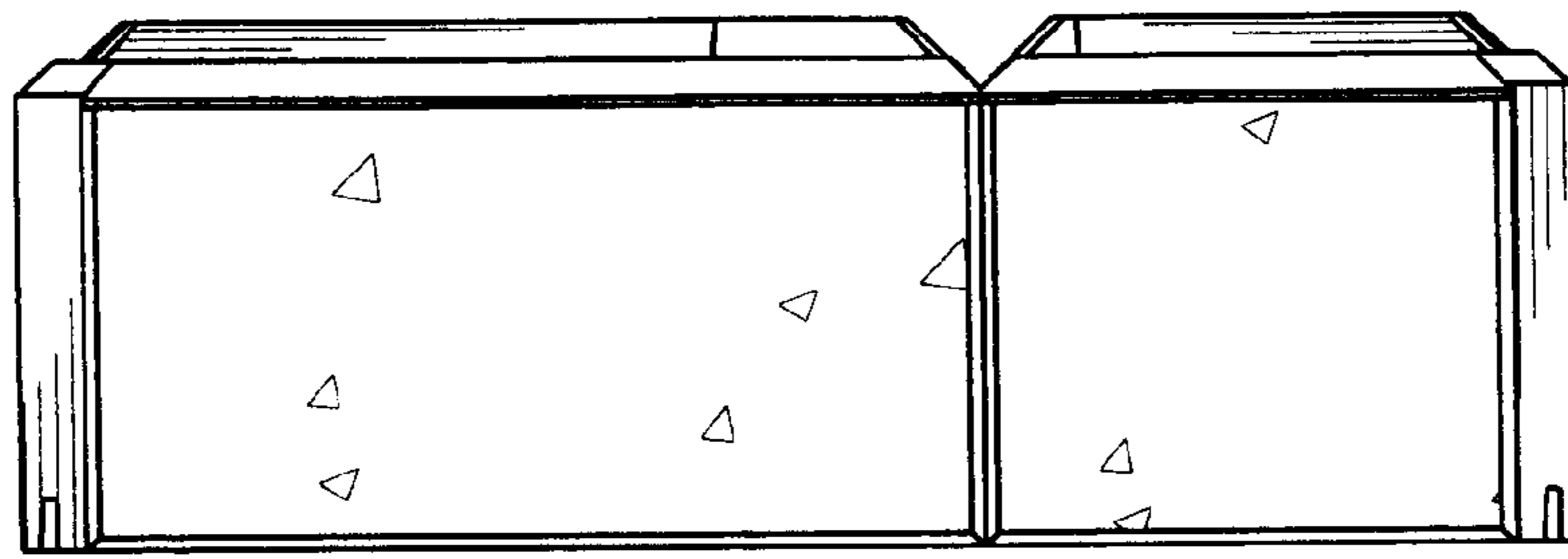


Figure 5

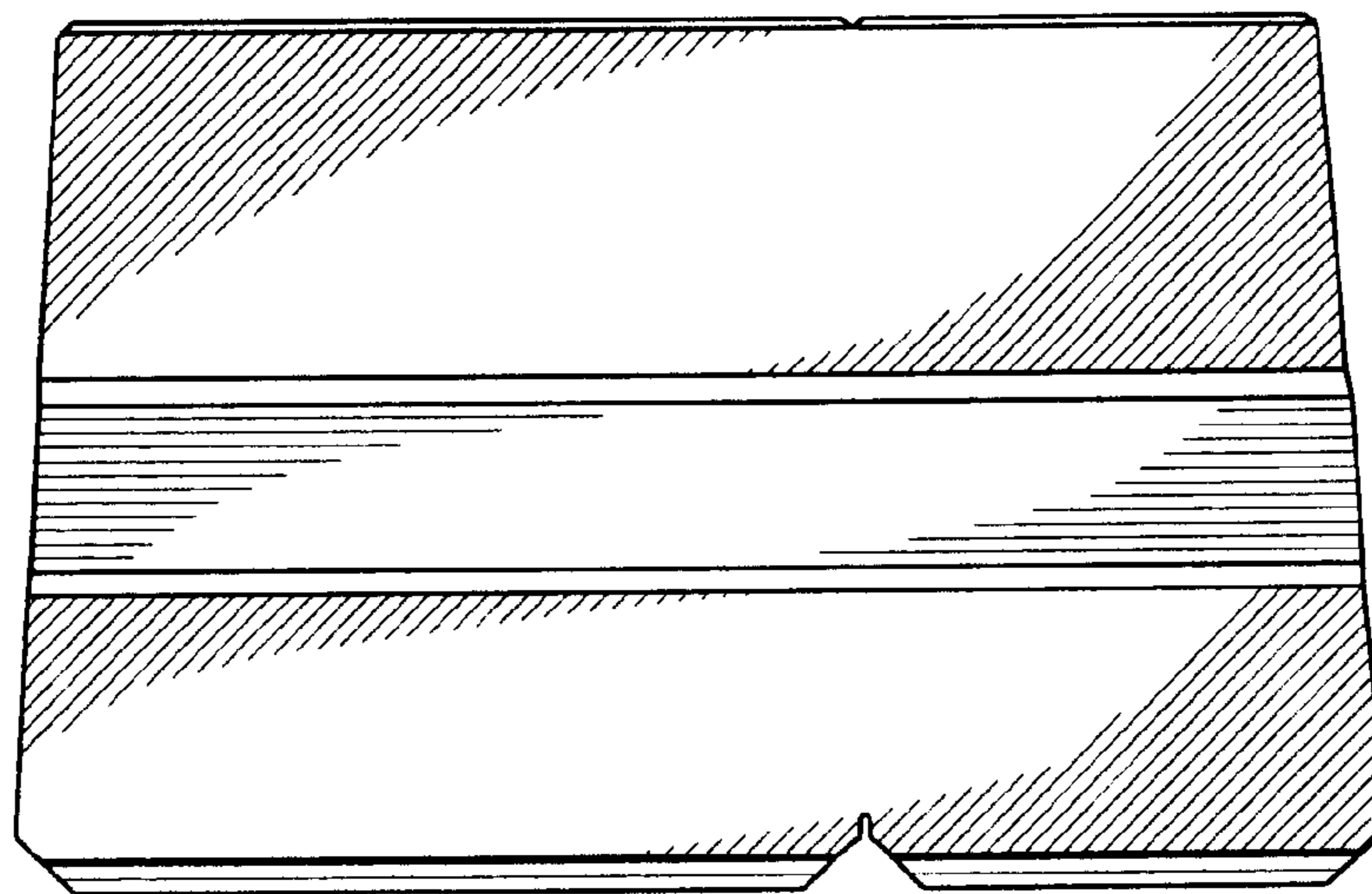


Figure 6