



US00D510143S

(12) **United States Design Patent** (10) **Patent No.:** **US D510,143 S**
Price (45) **Date of Patent:** **** Sep. 27, 2005**

(54) **TREE-MOUNTED HUNTING BLIND**

(75) Inventor: **Terry L. Price**, Sheridan, MI (US)

(73) Assignee: **High House Blinds, LLC**, Sheridan, MI (US)

(**) Term: **14 Years**

(21) Appl. No.: **29/193,346**

(22) Filed: **Nov. 7, 2003**

(51) **LOC (8) Cl.** **25-04**

(52) **U.S. Cl.** **D25/62**

(58) **Field of Search** D25/62; 135/901,
135/900; 182/116

(56) **References Cited**

U.S. PATENT DOCUMENTS

3,990,536	A	11/1976	Wilburn	
D335,188	S *	4/1993	Rosser D25/62
6,079,139	A *	6/2000	Berry 43/1
2002/0078988	A1	6/2002	Valpredo	

* cited by examiner

Primary Examiner—Doris Clark

(74) *Attorney, Agent, or Firm*—Northern Michigan Patent Law, PLC

(57) **CLAIM**

I claim the ornamental design for a tree-mounted hunting blind, as shown and described.

DESCRIPTION

This application Ser. No. is related to the co-filed and co-pending utility application 10/703,727 entitled “Tree-Mounted Hunting Blind” whose inventor is common to the present application.

FIG. 1 is a perspective view of a tree-mounted hunting blind embodying the new design, taken from the lower right side of the blind.

FIG. 2 is a front elevation view of the tree-mounted hunting blind of FIG. 1.

FIG. 3 is a side elevation view of the tree-mounted hunting blind of FIG. 1, taken from the right side, the left side elevation view being a mirror image thereof.

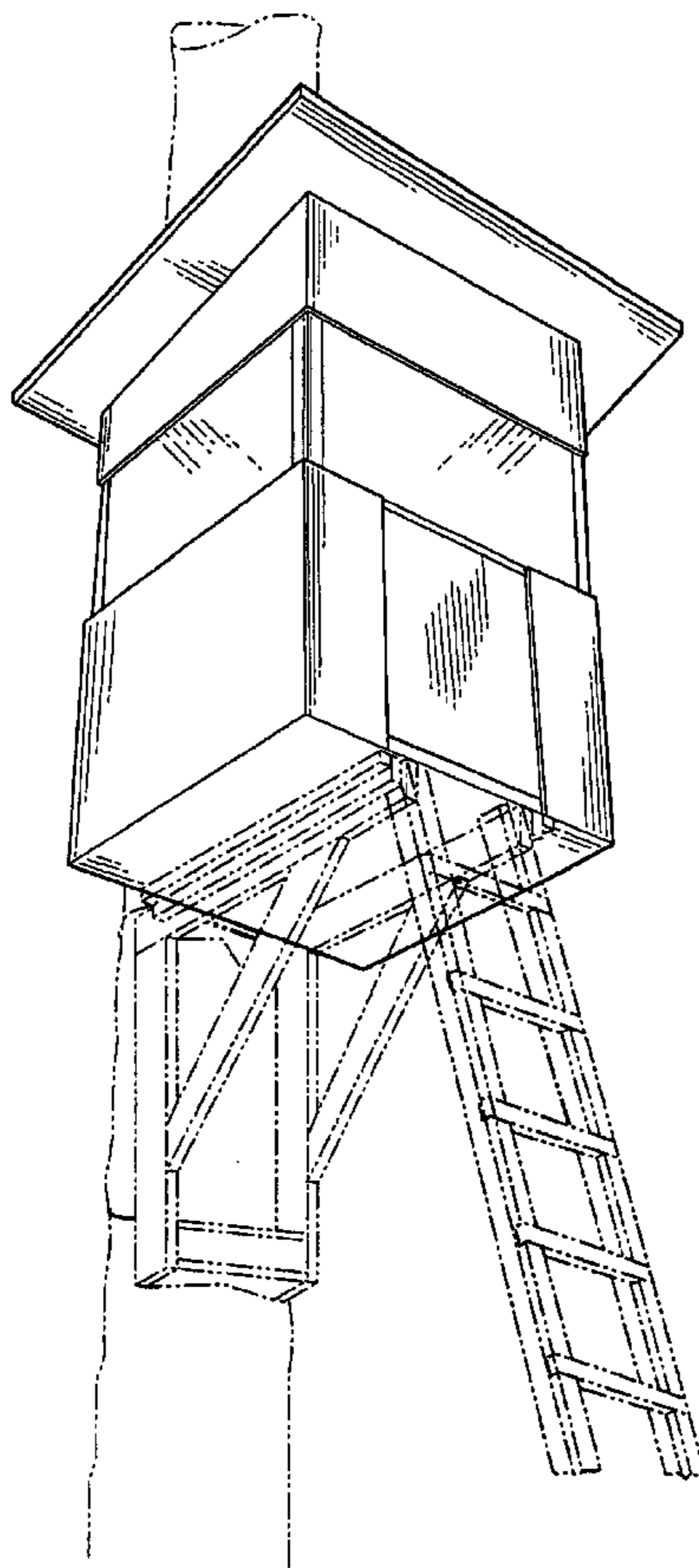
FIG. 4 is a rear elevation view of the tree-mounted hunting blind of FIG. 1.

FIG. 5 is a top plan view of the tree-mounted hunting blind of FIG. 1; and,

FIG. 6 is a bottom plan view of the tree-mounted hunting blind of FIG. 1.

The structure illustrated in broken lines is environmental in nature and forms no part of the claimed design.

1 Claim, 3 Drawing Sheets



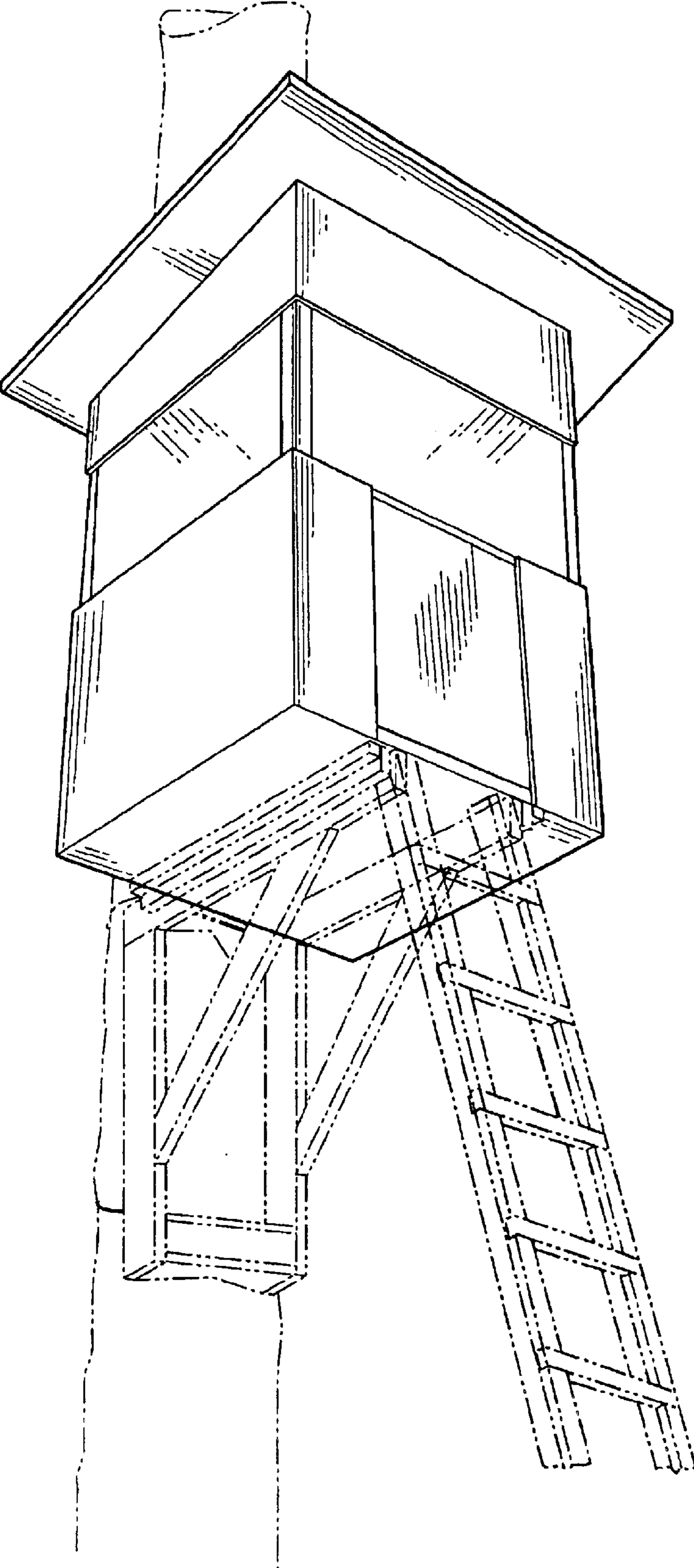


FIG - 1

FIG - 3

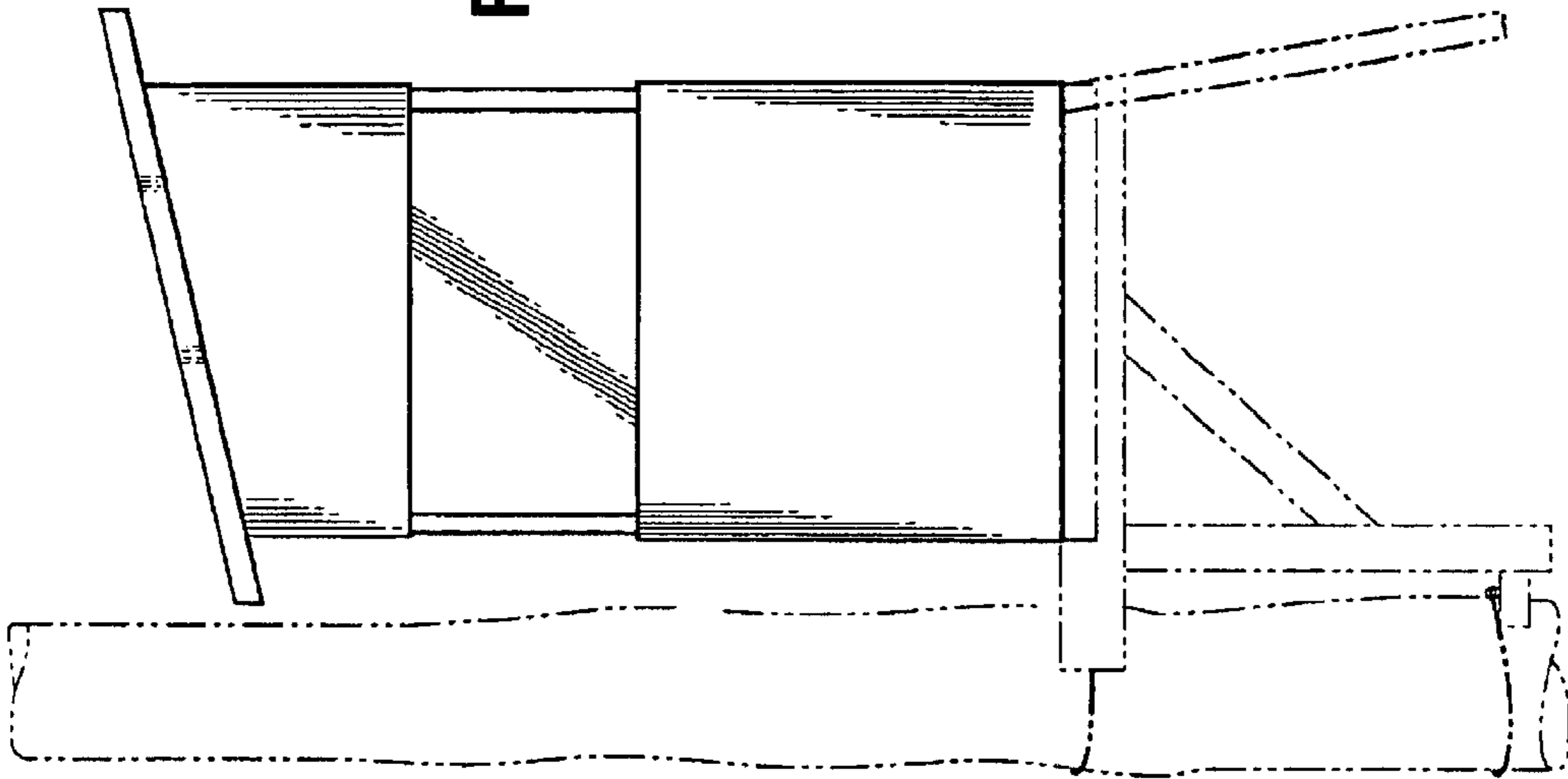
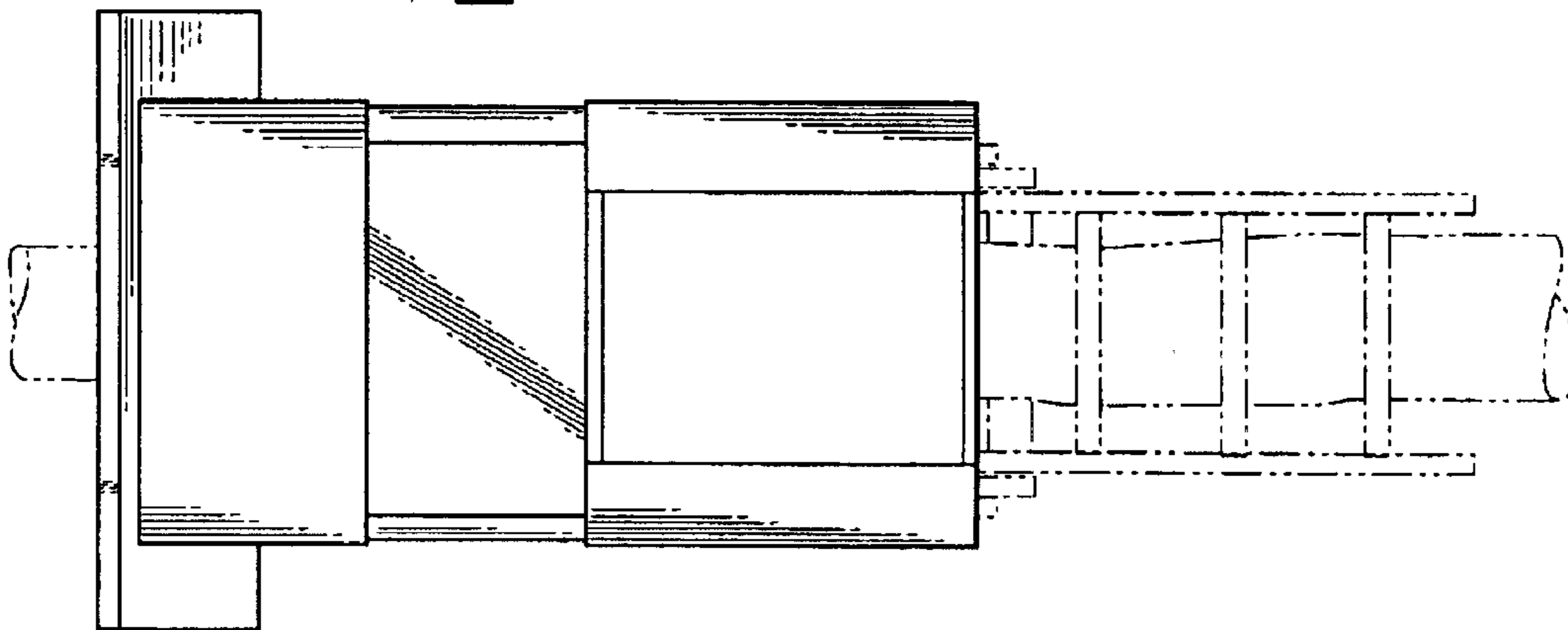


FIG - 2



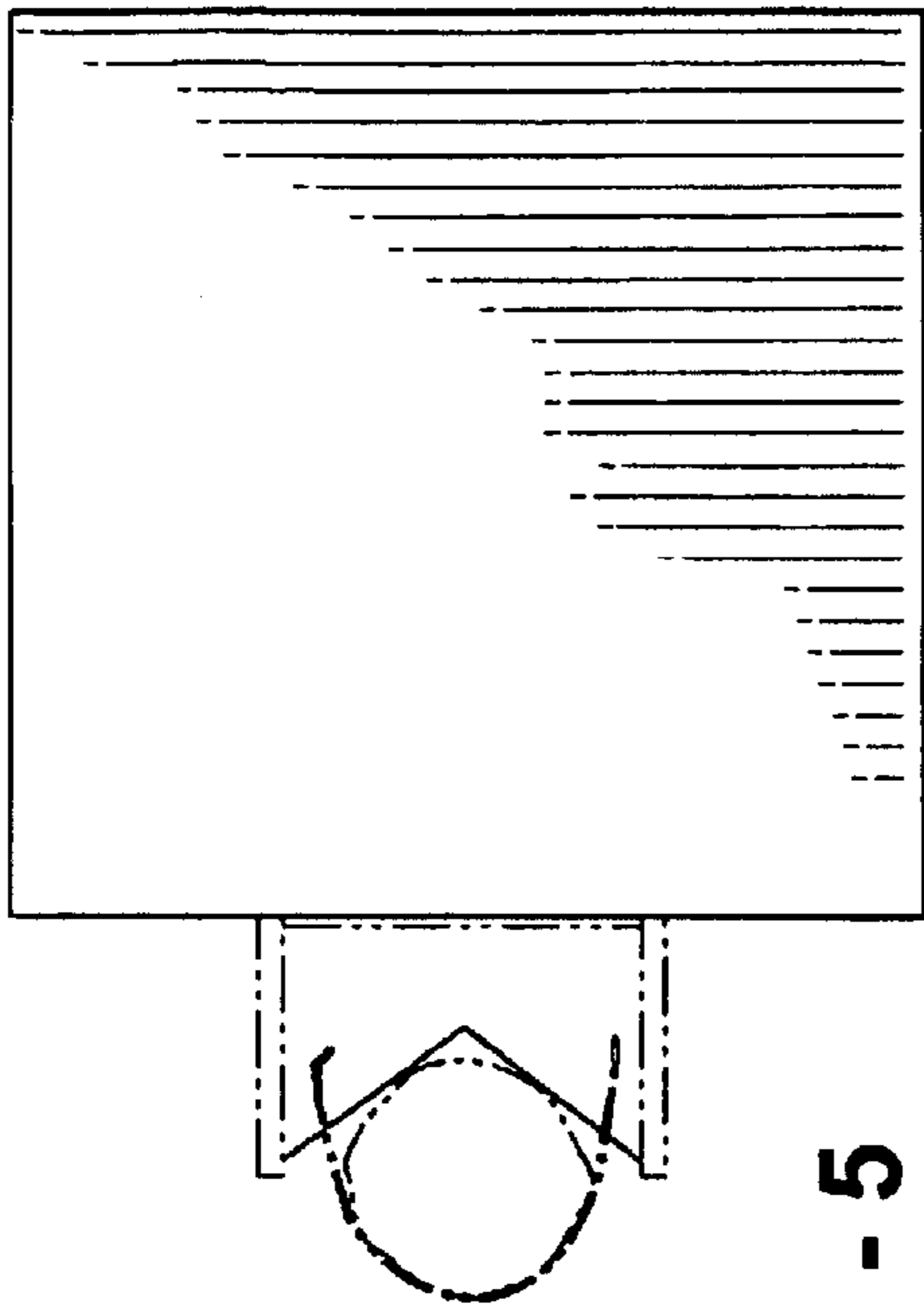


FIG - 5

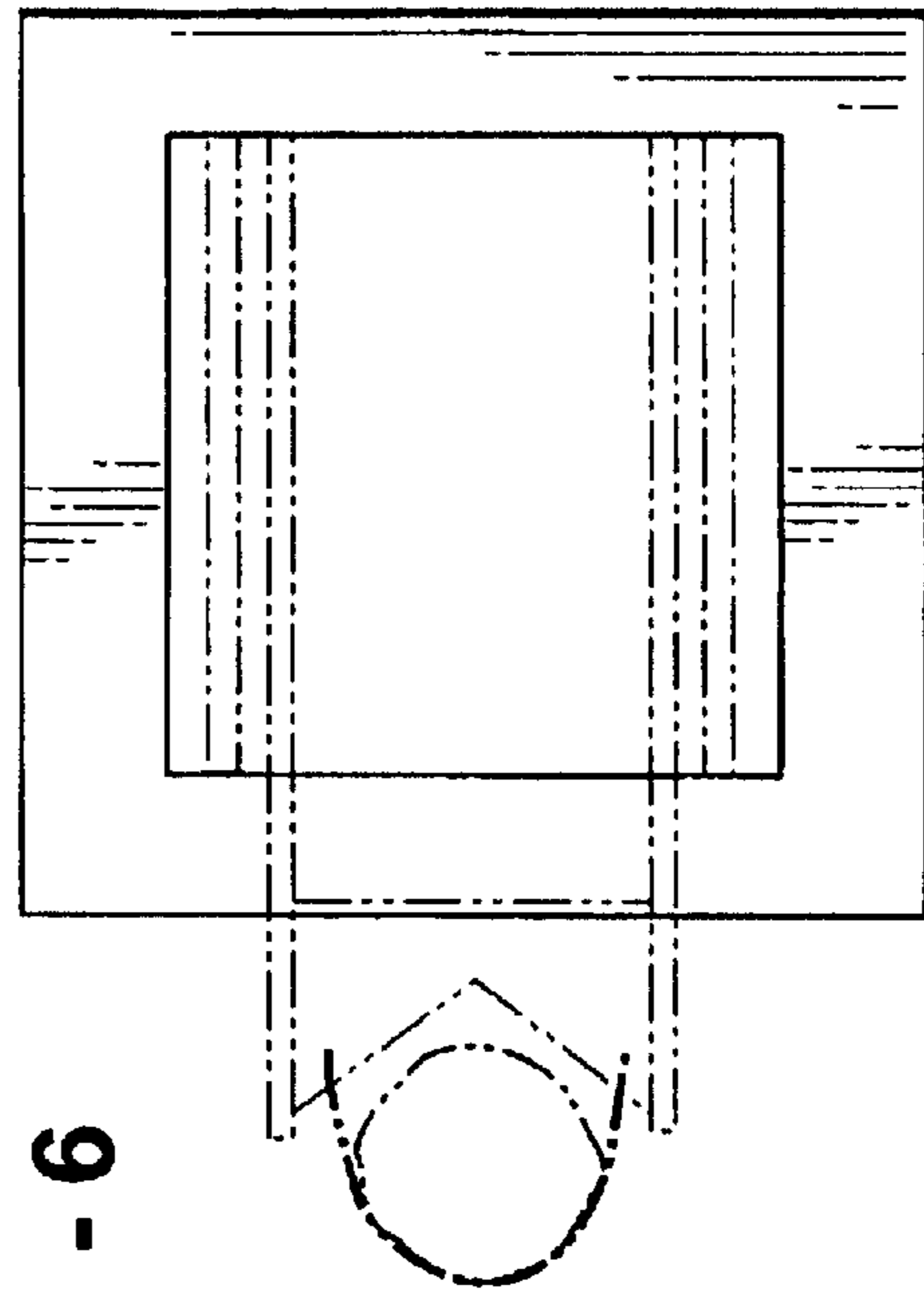


FIG - 6

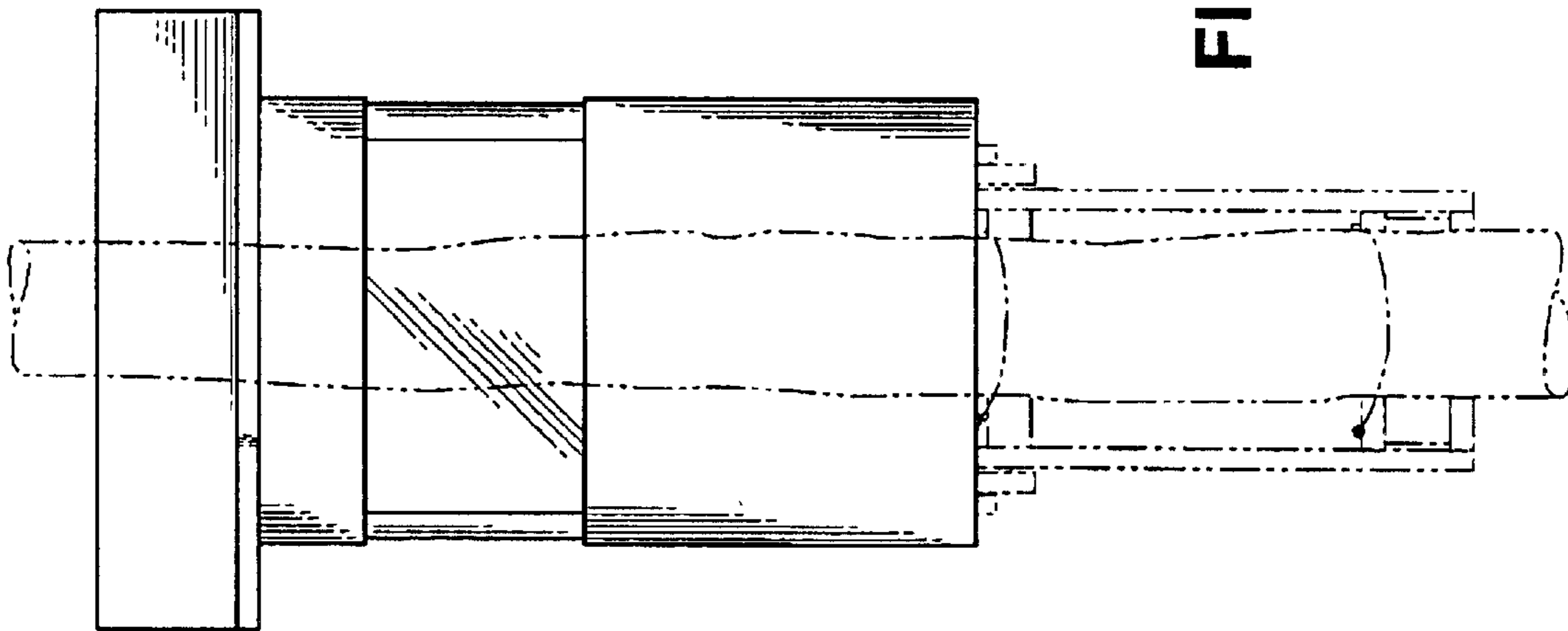


FIG - 4