



US00D510141S

(12) **United States Design Patent** (10) **Patent No.:** **US D510,141 S**
Percival et al. (45) **Date of Patent:** **** Sep. 27, 2005**

(54) **CAROUSEL FOR READER**

2004/0191923 A1 * 9/2004 Tomasso et al. 422/104

(76) Inventors: **David Alan Percival**, 4 Overlea Drive,
 Harwarden Flintshire (GB), CH6 3HS;
David Aubrey Plumtre, 35 Shire
 Way, Droitwich Worcestershire (GB),
 WR9 7DJ

FOREIGN PATENT DOCUMENTS

EP 0 339 277 A1 11/1989
 WO WO 99/28038 6/1999
 WO WO 00/76663 A1 12/2000

* cited by examiner

(**) **Term:** **14 Years**

Primary Examiner—Cathy Anne MacCormac
Assistant Examiner—Melanie Levy
 (74) *Attorney, Agent, or Firm*—Hogan & Hartson L.L.P.

(21) **Appl. No.:** **29/198,692**

(22) **Filed:** **Feb. 2, 2004**

(57) **CLAIM**

(30) **Foreign Application Priority Data**

The ornamental design for carousel for reader, as shown and described.

Aug. 9, 2003 (GB) 3014013

(51) **LOC (8) Cl.** **24-02**

(52) **U.S. Cl.** **D24/232; D10/78; D24/231**

(58) **Field of Search** D24/165–166,
 D24/232, 216, 234, 219; D10/78–80; D28/9,
 61, 73–75; 210/781–782, 787, 926; 435/7.7,
 7.92; 422/58–59, 60, 64, 68.1, 102–104

DESCRIPTION

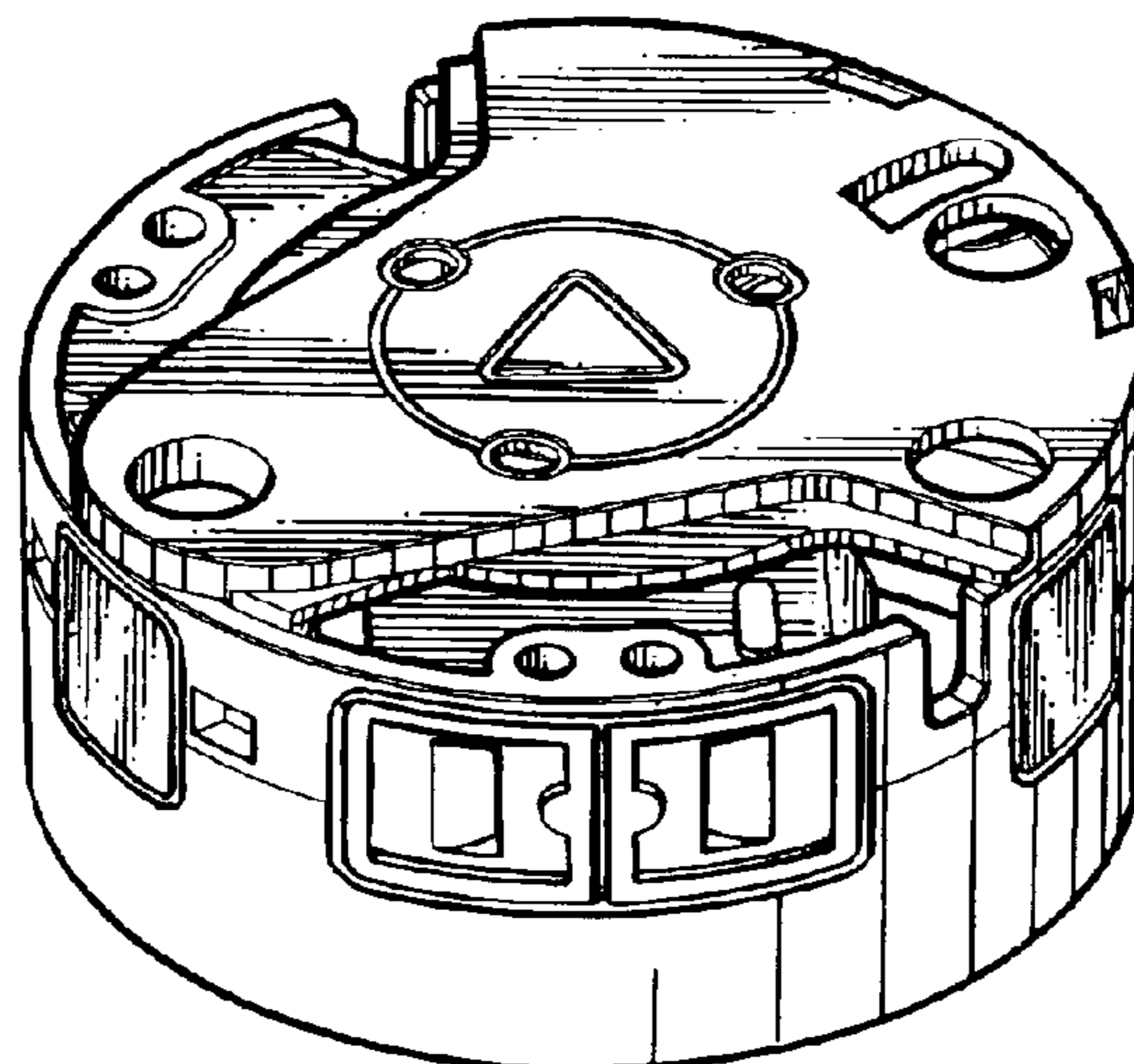
(56) **References Cited**

U.S. PATENT DOCUMENTS

D187,328 S * 3/1960 Bernard D10/80
 3,853,010 A 12/1974 Christen et al.
 3,901,658 A * 8/1975 Burtis et al. 422/104
 4,507,977 A 4/1985 Cabrera
 4,541,291 A 9/1985 Churchill et al.
 4,690,801 A 9/1987 Anderson
 4,726,932 A 2/1988 Feier et al.
 4,849,177 A * 7/1989 Jordan 422/64
 4,933,147 A 6/1990 Hollar et al.
 5,186,844 A * 2/1993 Burd et al. 210/782
 5,294,404 A * 3/1994 Grandone et al. 422/64
 5,630,986 A 5/1997 Charlton et al.
 D443,539 S 6/2001 Stevenson et al.
 D447,713 S 9/2001 Stevenson et al.
 6,300,142 B1 10/2001 Andrewes et al.
 6,656,428 B1 * 12/2003 Clark et al. 422/58
 2004/0038422 A1 * 2/2004 Percival et al. 422/64

FIG. 1 is a perspective view of a carousel for reader of the present invention, taken from the right side and the top; FIG. 2 is a perspective view thereof, taken from the right side and the bottom; FIG. 3 is a perspective view thereof, taken from the front side and the top; FIG. 4 is a perspective view thereof, taken from the front side and the bottom; FIG. 5 is a perspective view thereof, taken from the left side and the top; FIG. 6 is a perspective view thereof, taken from the left side and the bottom; FIG. 7 is a perspective view thereof, taken from the rear and the top; FIG. 8 is a perspective view thereof, taken from the rear and the bottom; FIG. 9 is a front view thereof; FIG. 10 is a rear view thereof; FIG. 11 is a right side view thereof; FIG. 12 is a left side view thereof; FIG. 13 is a top view thereof; and, FIG. 14 is a bottom view thereof.

1 Claim, 7 Drawing Sheets



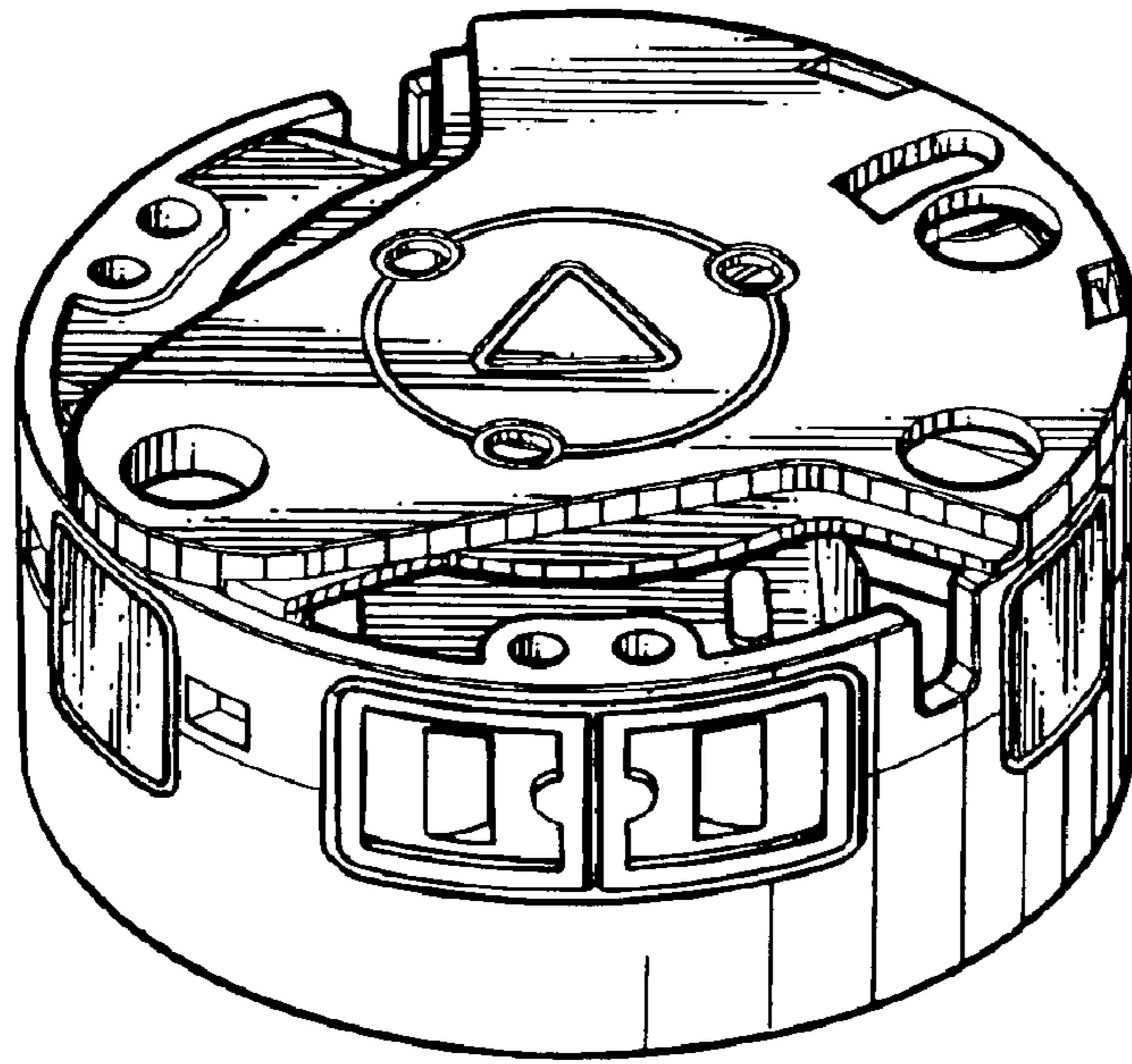


FIG.1.

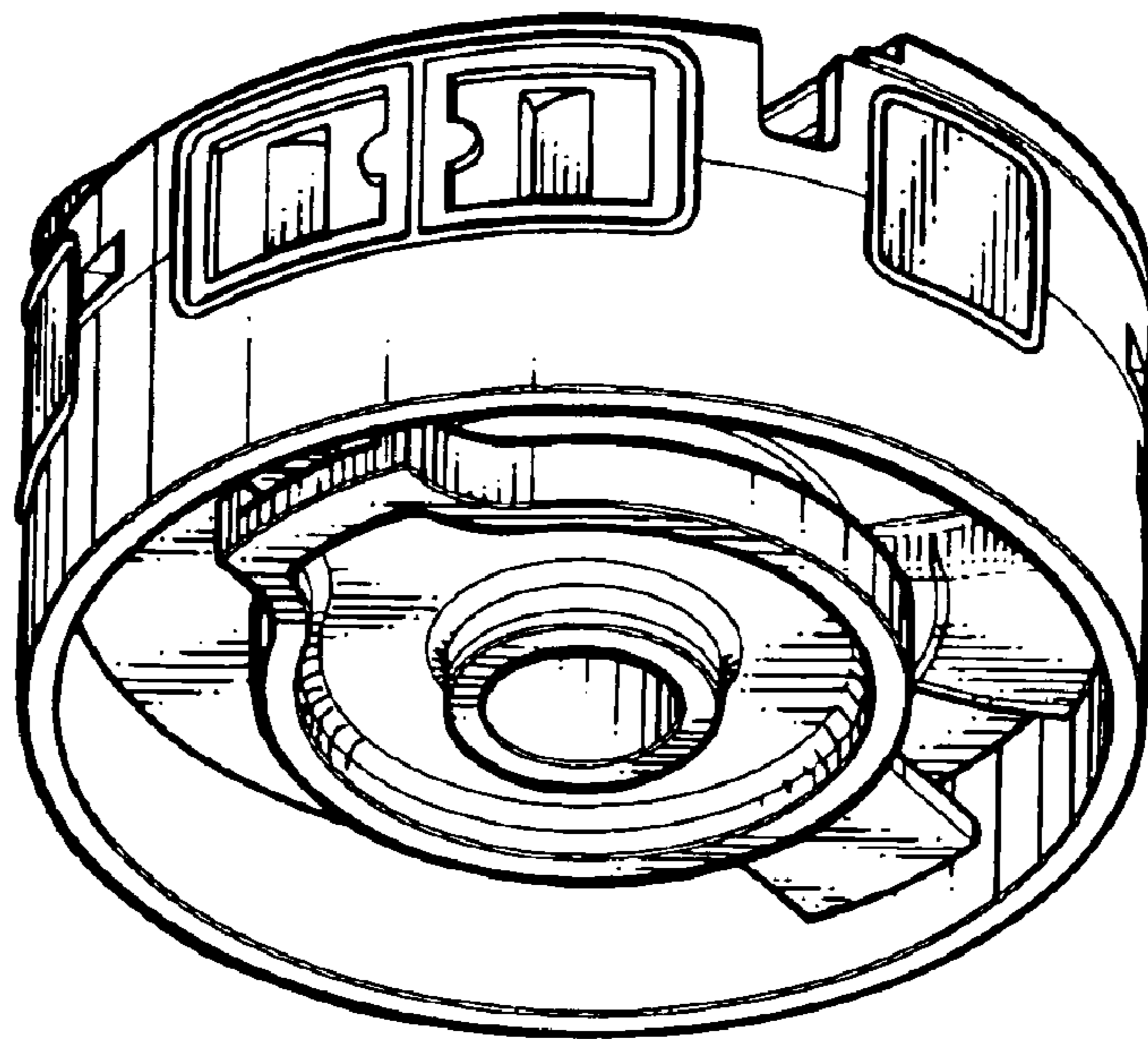


FIG.2.

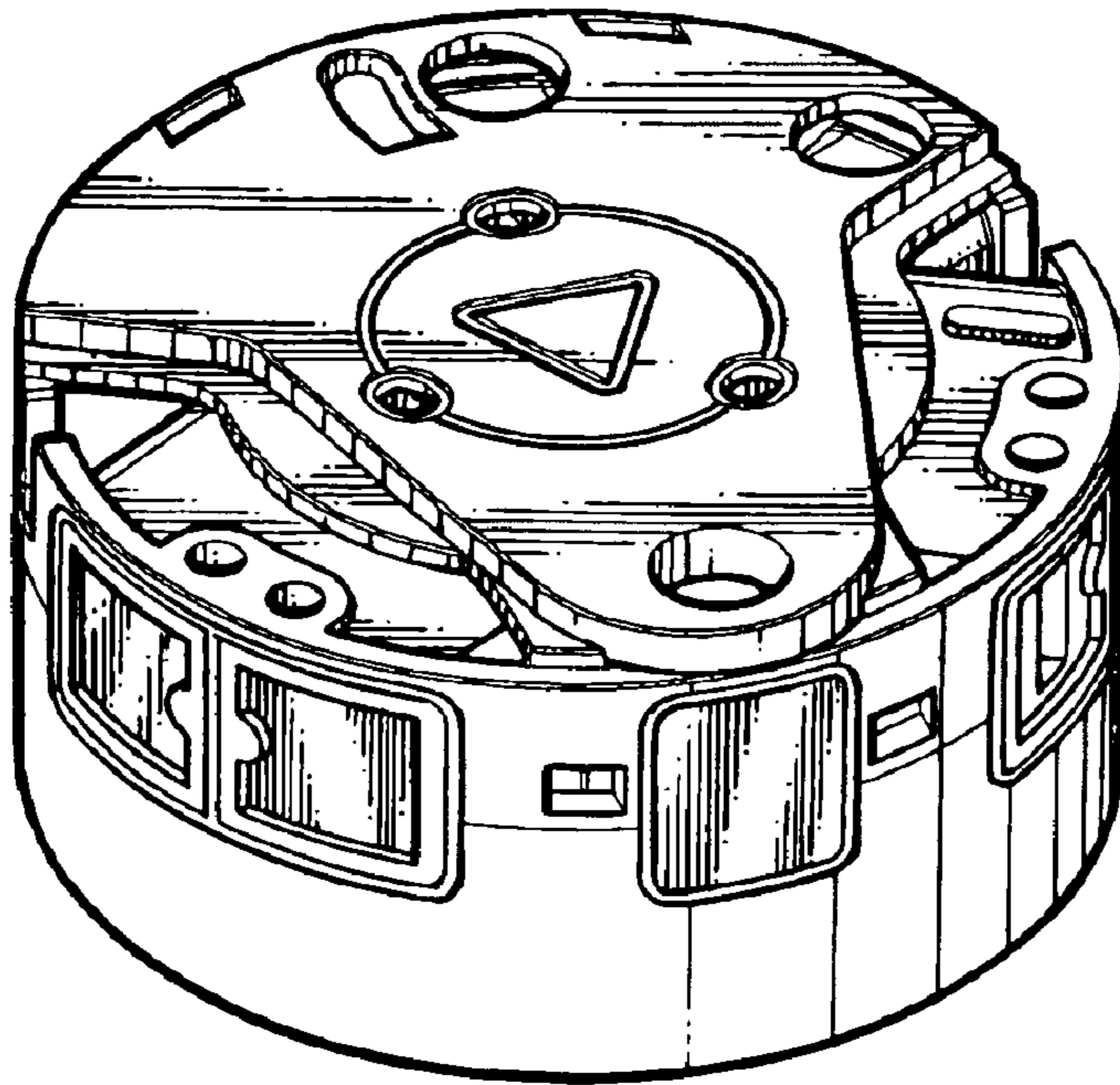


FIG.3.

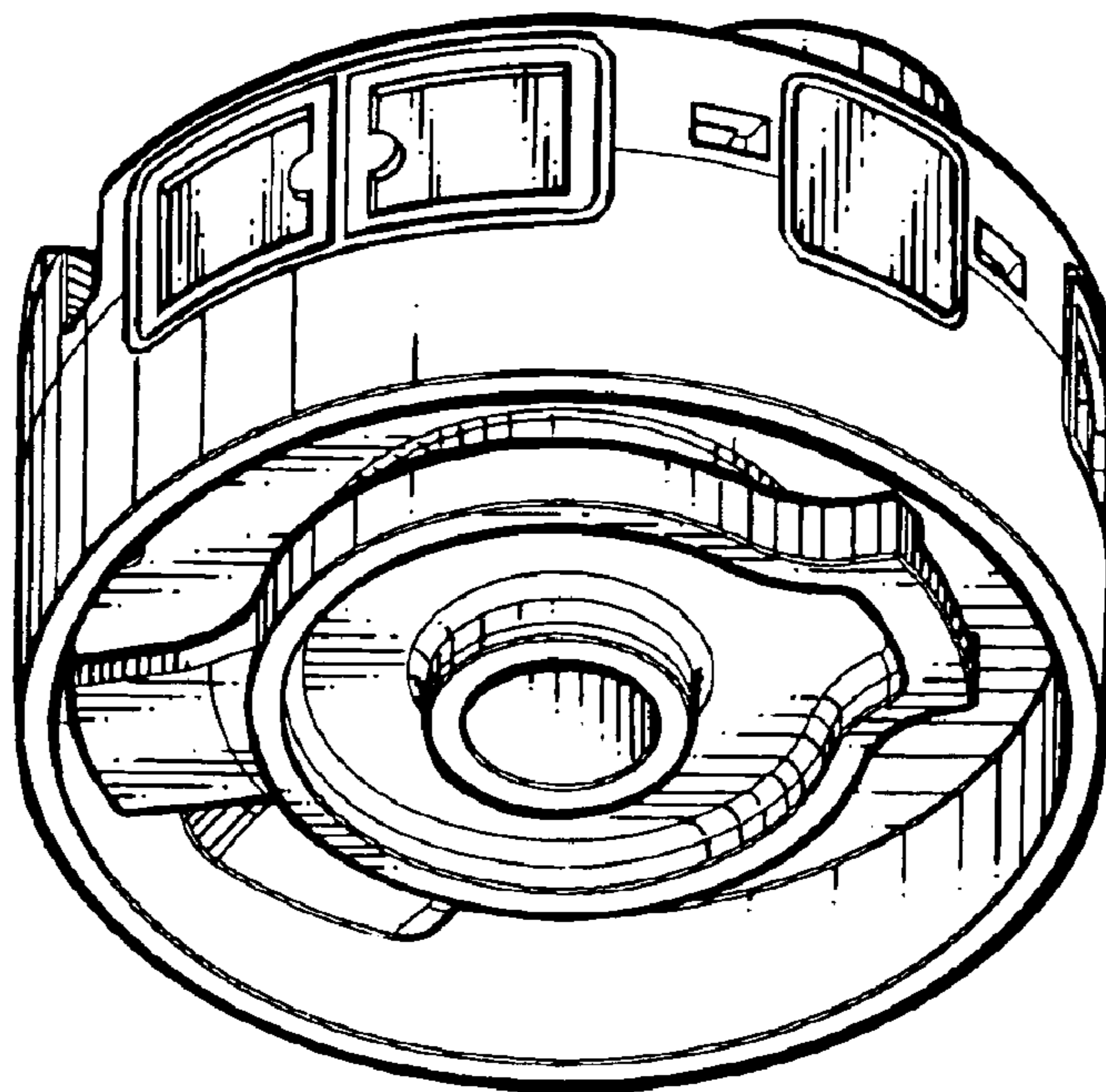


FIG.4.

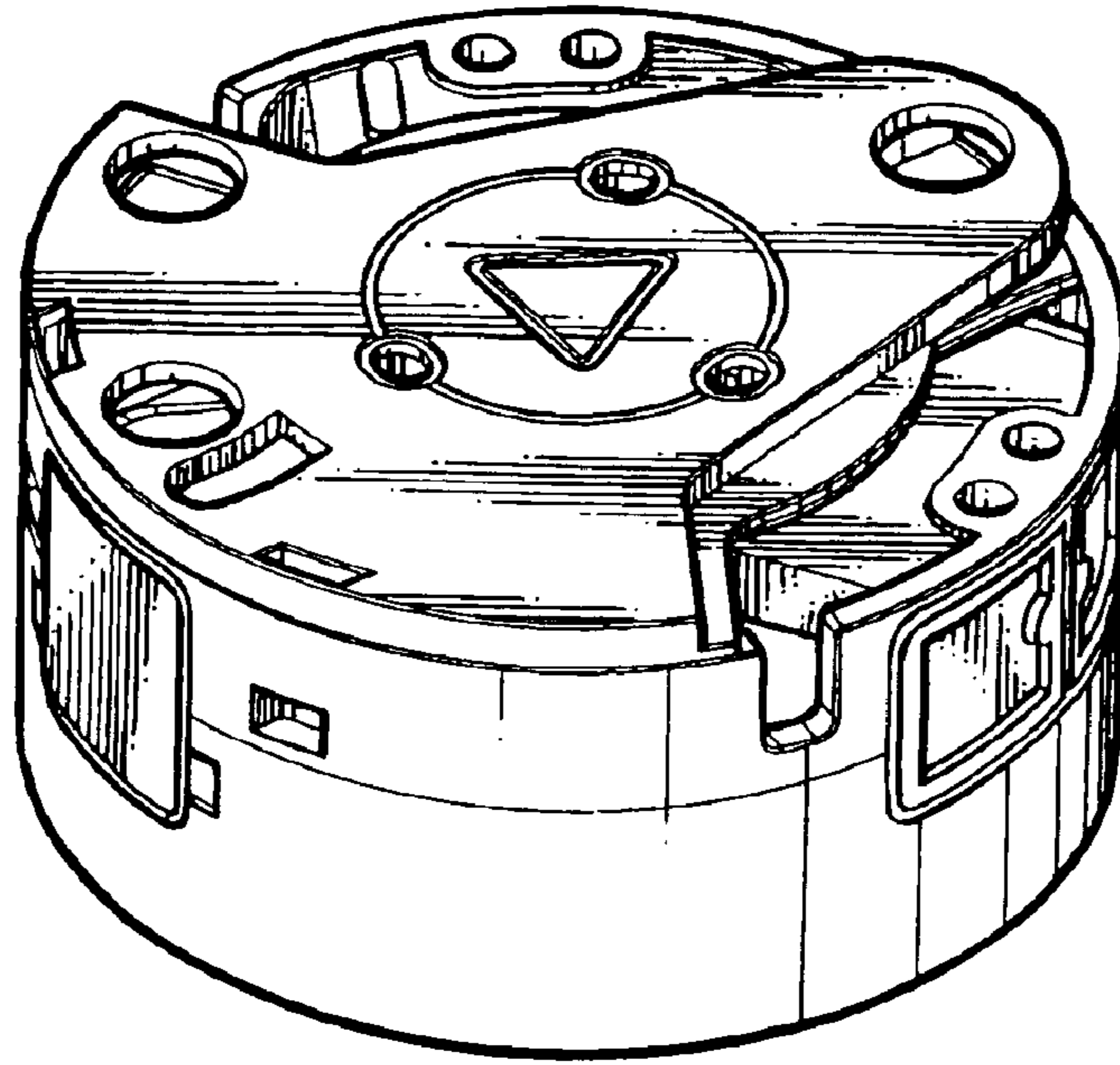


FIG. 5.

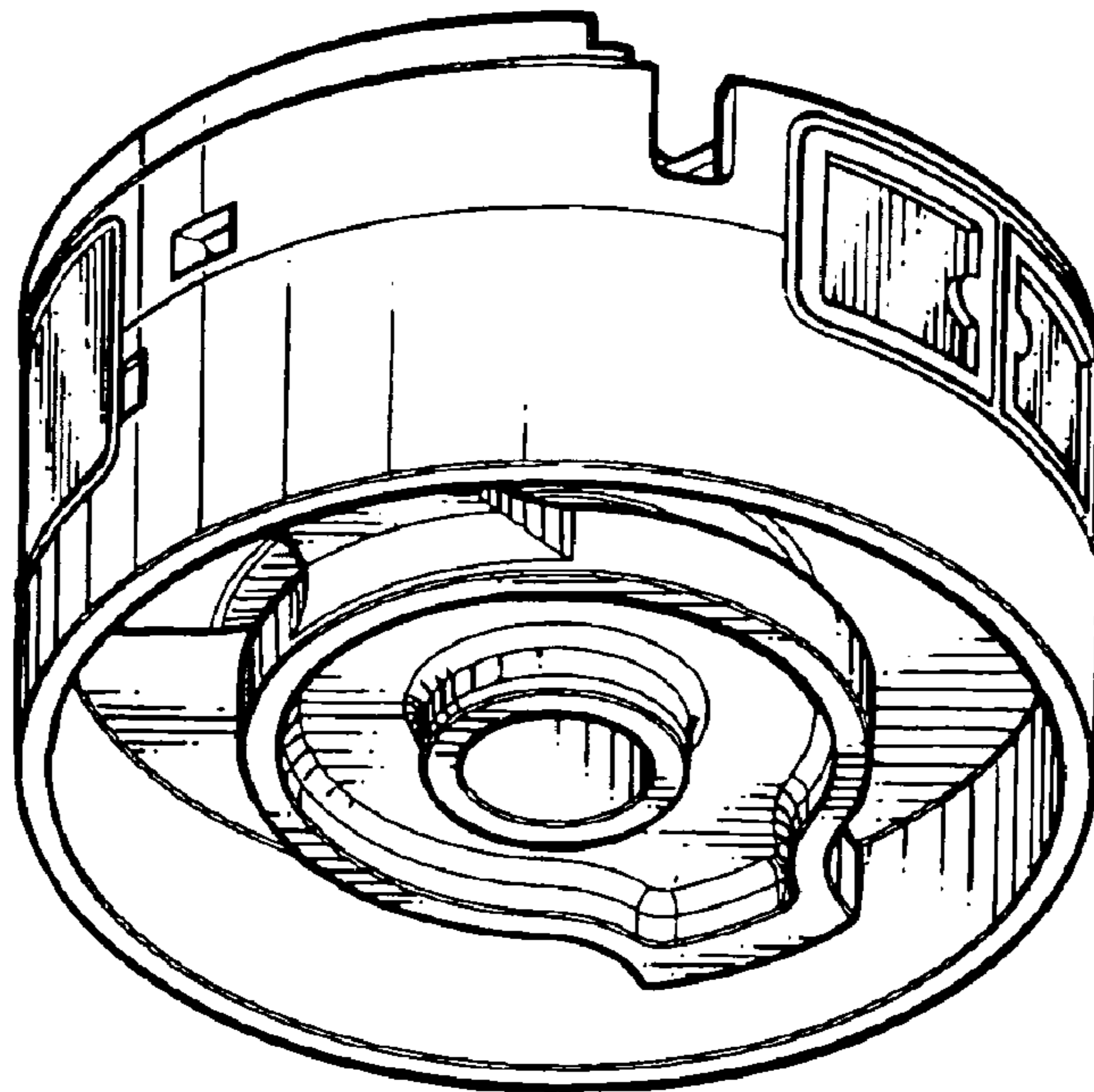


FIG. 6.

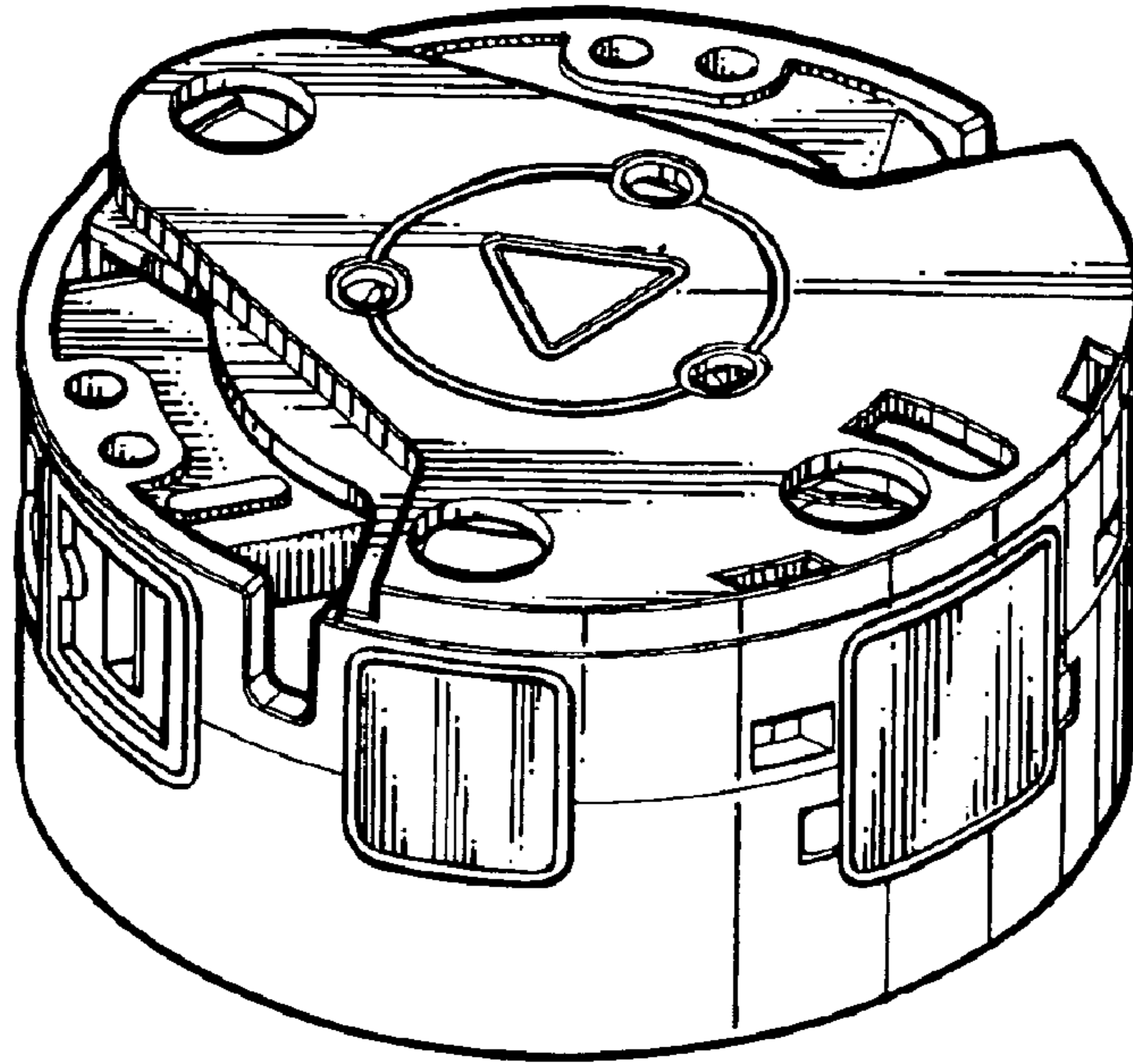


FIG. 7.

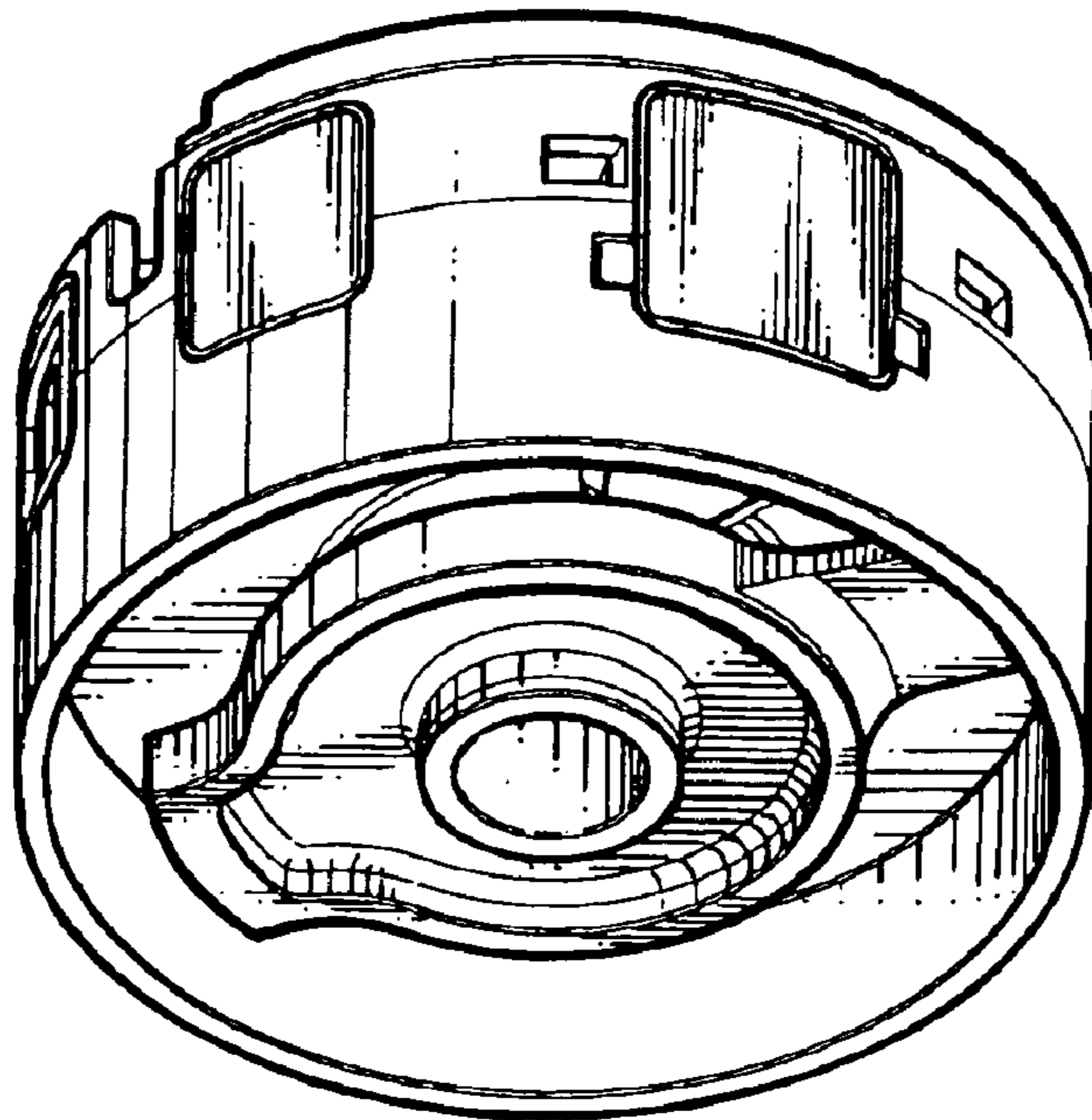


FIG. 8.

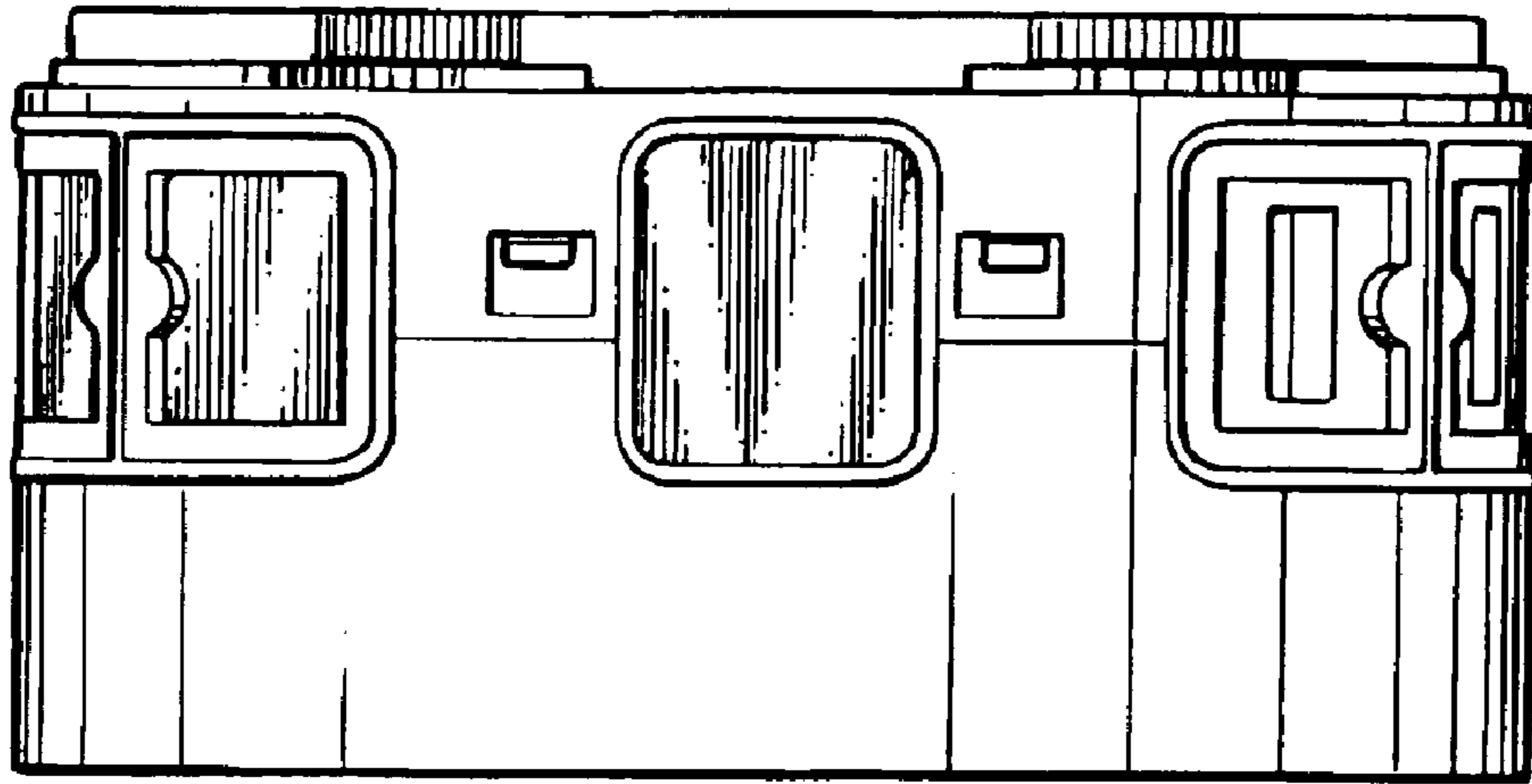


FIG.9.

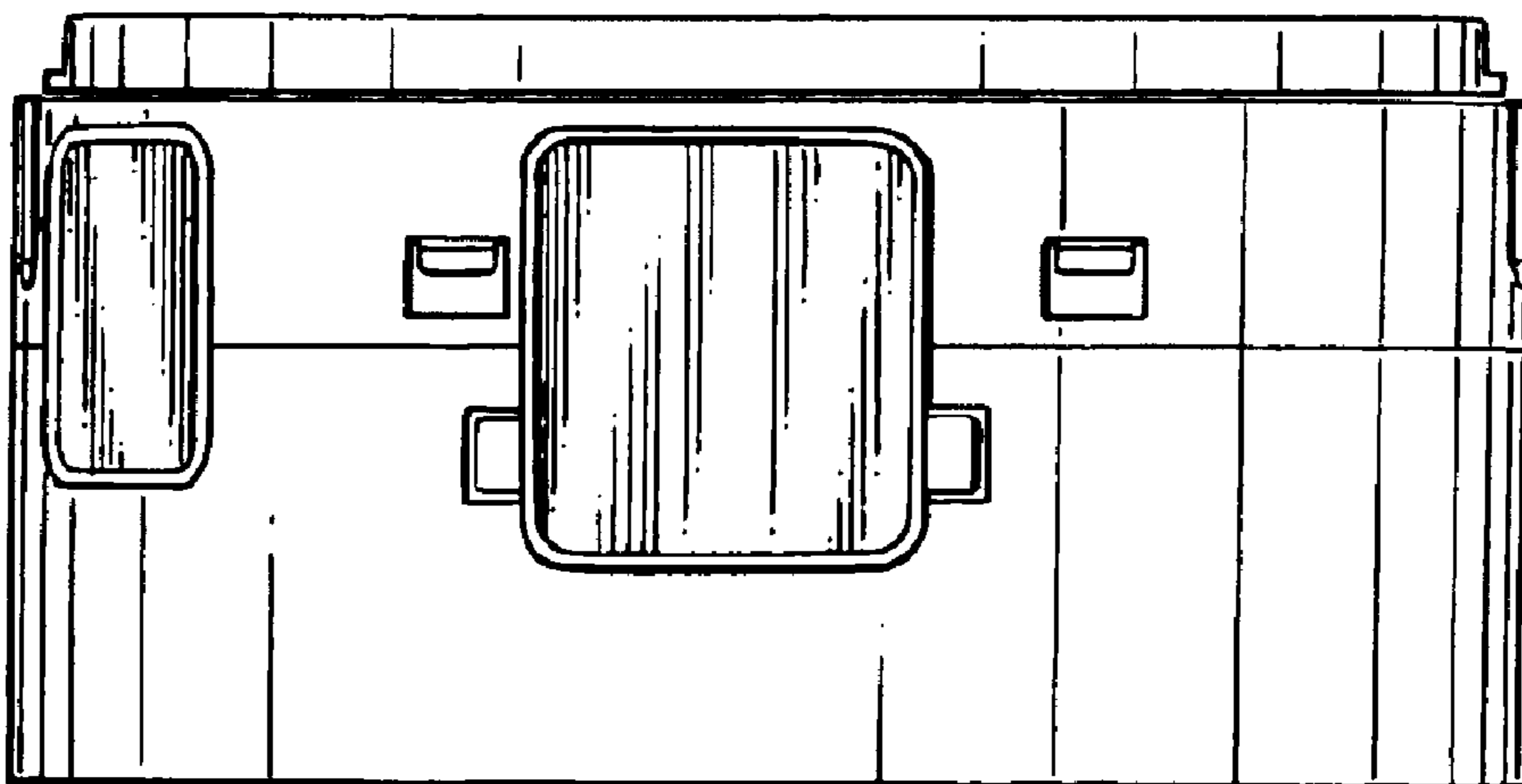


FIG.10.

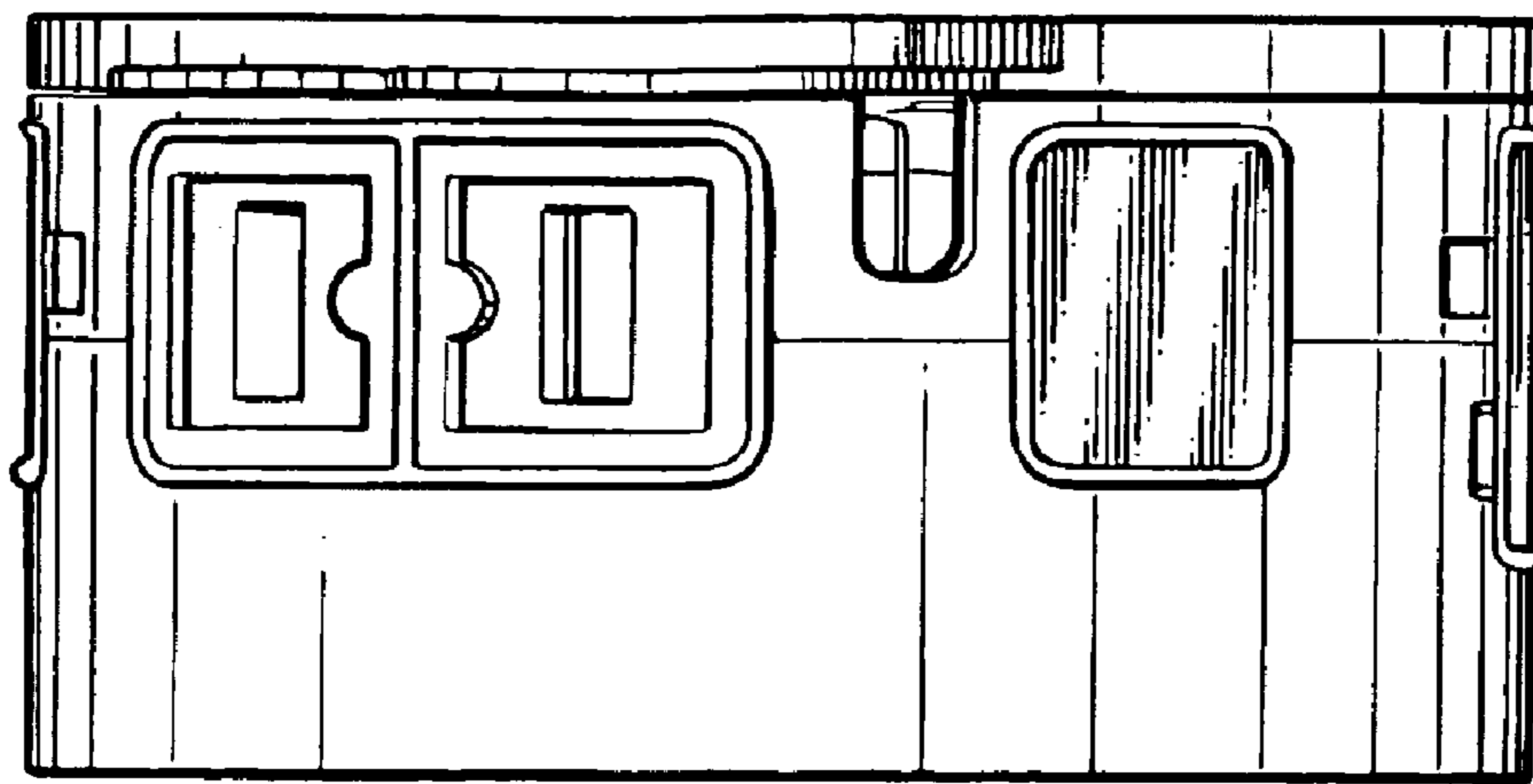


FIG.11.

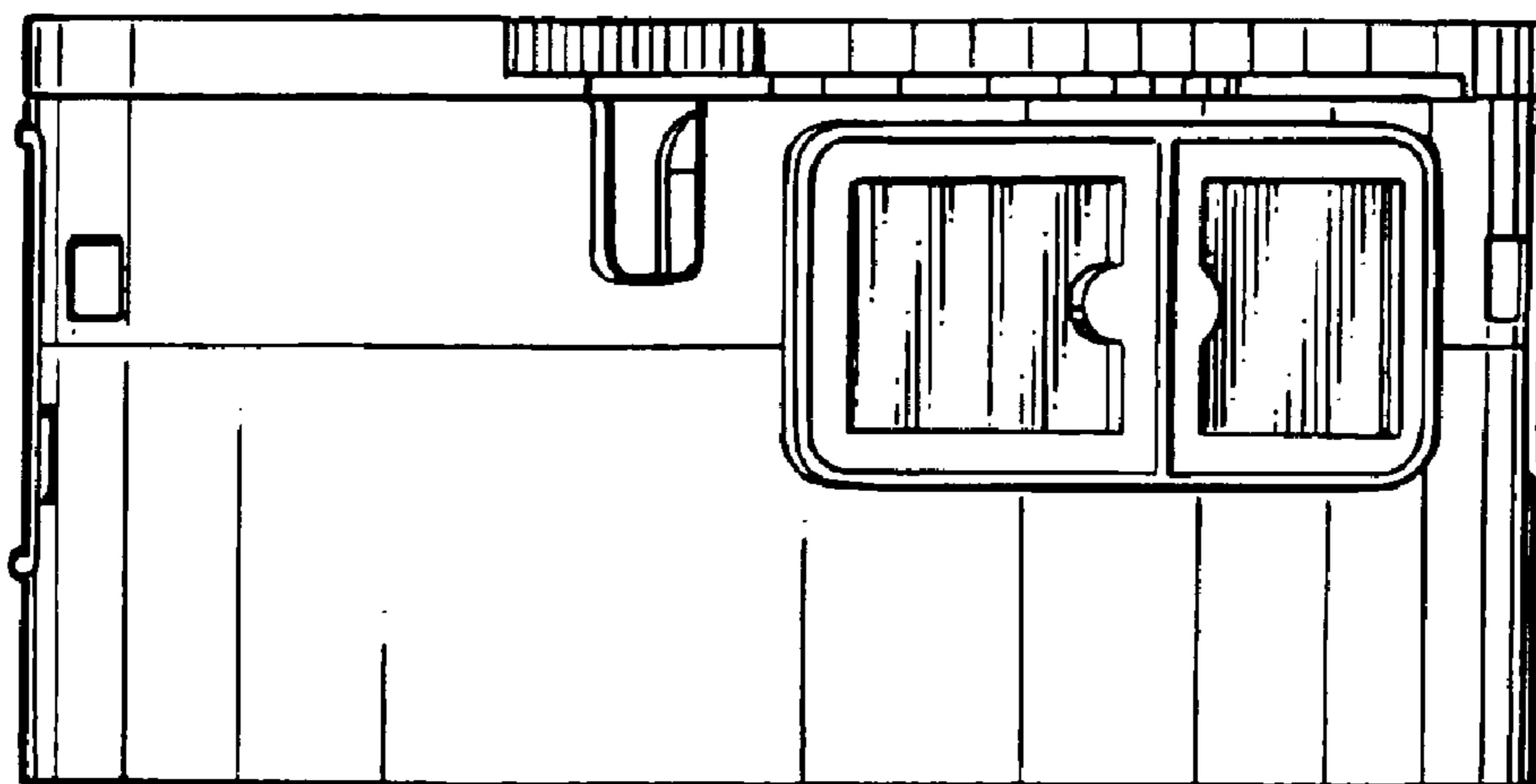


FIG.12.

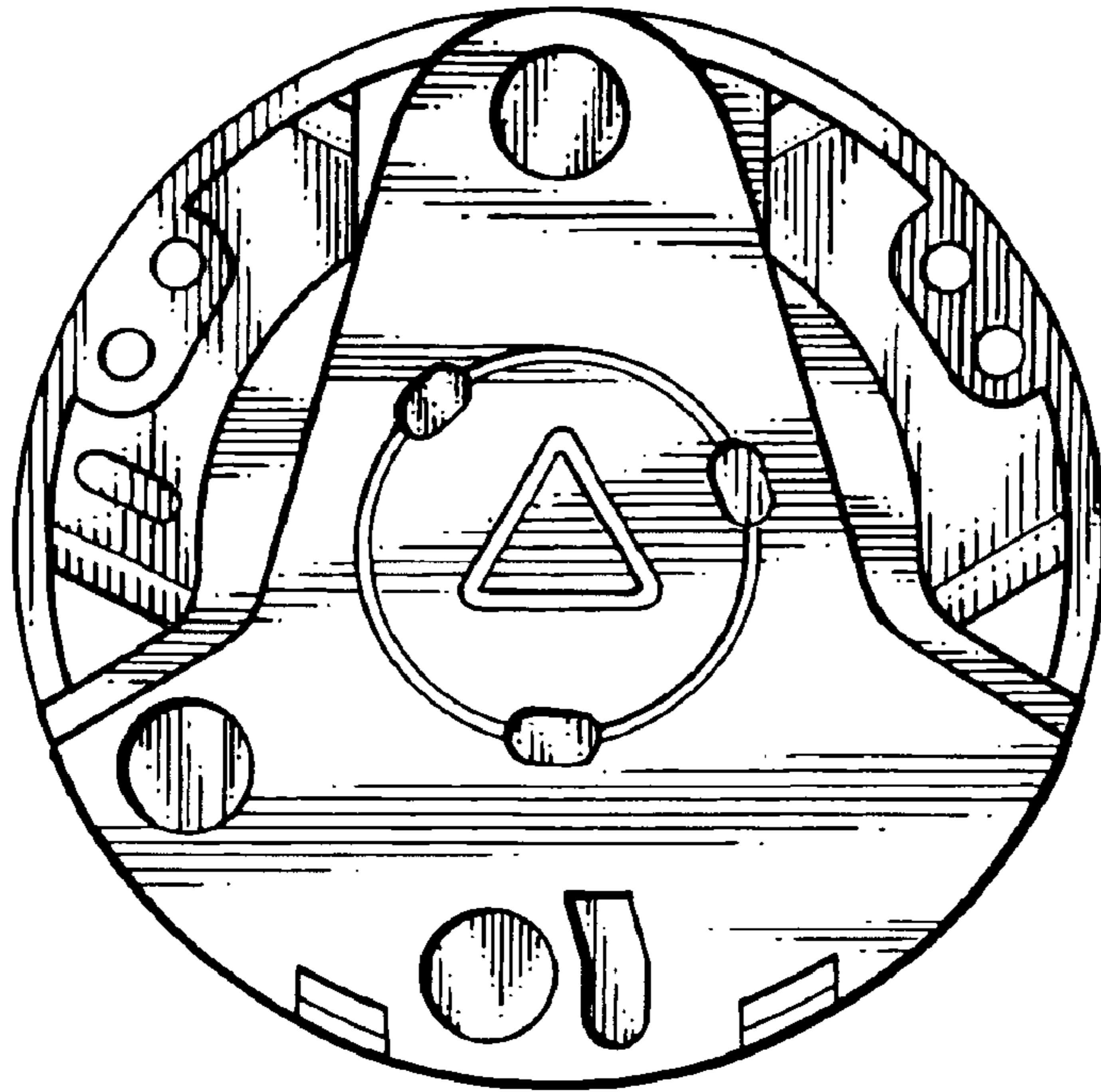


FIG.13.

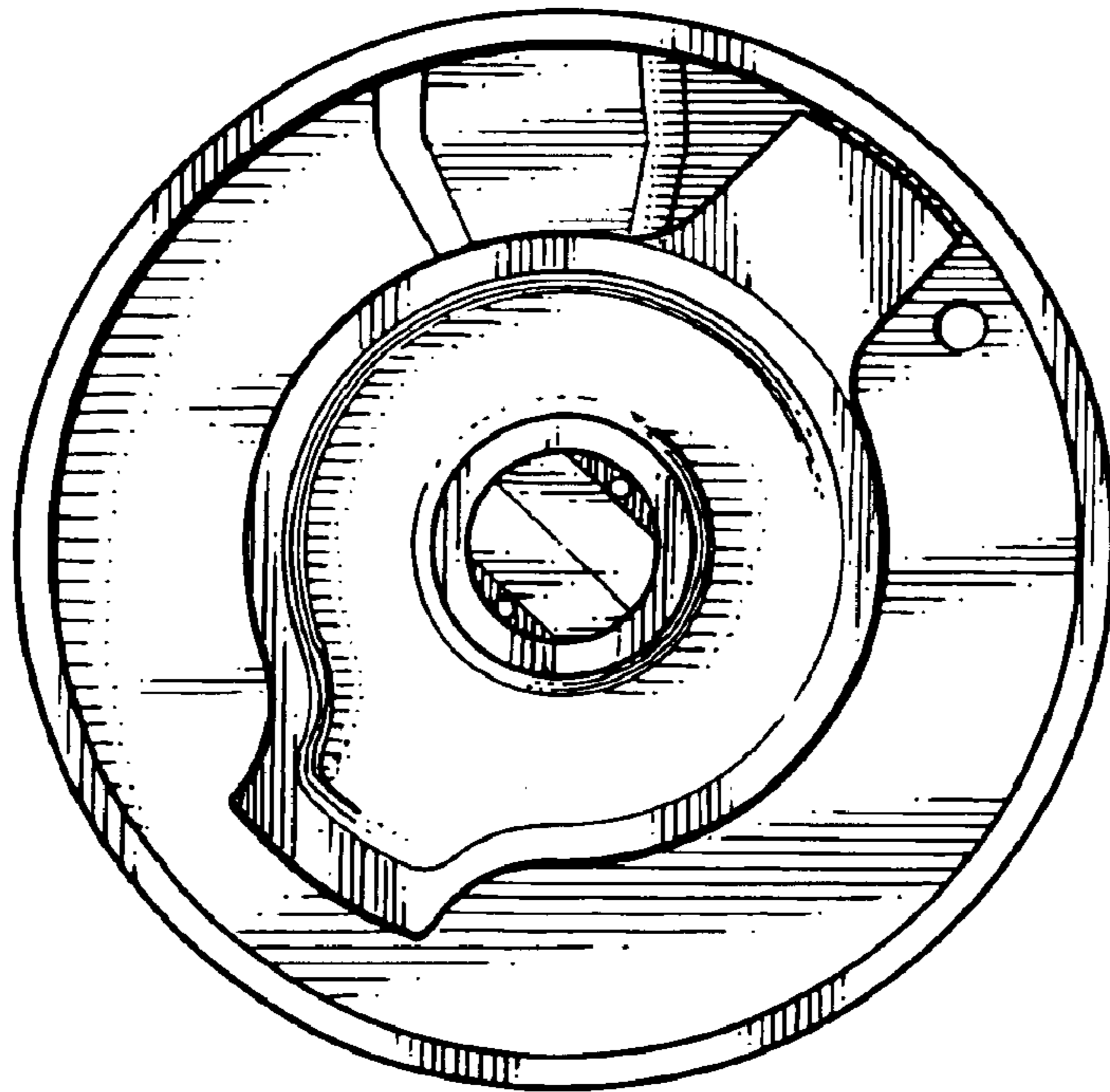


FIG.14.