



US00D510138S

(12) **United States Design Patent**
Kim

(10) **Patent No.:** **US D510,138 S**

(45) **Date of Patent:** **** Sep. 27, 2005**

(54) **HAIR REMOVER**

(75) Inventor: **Hyunchul Kim**, Bridgeport, CT (US)

(73) Assignee: **Conair Corporation**, Stamford, CT (US)

(**) Term: **14 Years**

(21) Appl. No.: **29/191,275**

(22) Filed: **Oct. 3, 2003**

(51) **LOC (8) Cl.** **24-02**

(52) **U.S. Cl.** **D24/133; D24/146; D28/44**

(58) **Field of Search** D24/133, 146,
D24/214; D28/44.1, 44, 50; 606/9, 43,
36, 131, 133, 10, 13; 451/359; 607/3

(56) **References Cited**

U.S. PATENT DOCUMENTS

D241,482 S	*	9/1976	Wassenaar	D28/50
D323,034 S	*	1/1992	Reinstein	D24/206
5,562,706 A	*	10/1996	Lauterbach et al.	607/3
D500,168 S	*	12/2004	Ho	D28/44
2003/0125754 A1	*	7/2003	Davis et al.	606/133

* cited by examiner

Primary Examiner—Ian Simmons

(74) *Attorney, Agent, or Firm*—Ohlandt, Greeley, Ruggiero & Perle, L.L.P.

(57) **CLAIM**

The ornamental design for a hair remover, as shown and described.

DESCRIPTION

FIG. 1 is a first side view of a hair remover according to the present invention, the opposite side being symmetric thereto;

FIG. 2 is a second side view, rotated ninety degrees from the first side view, of the hair remover of FIG. 1;

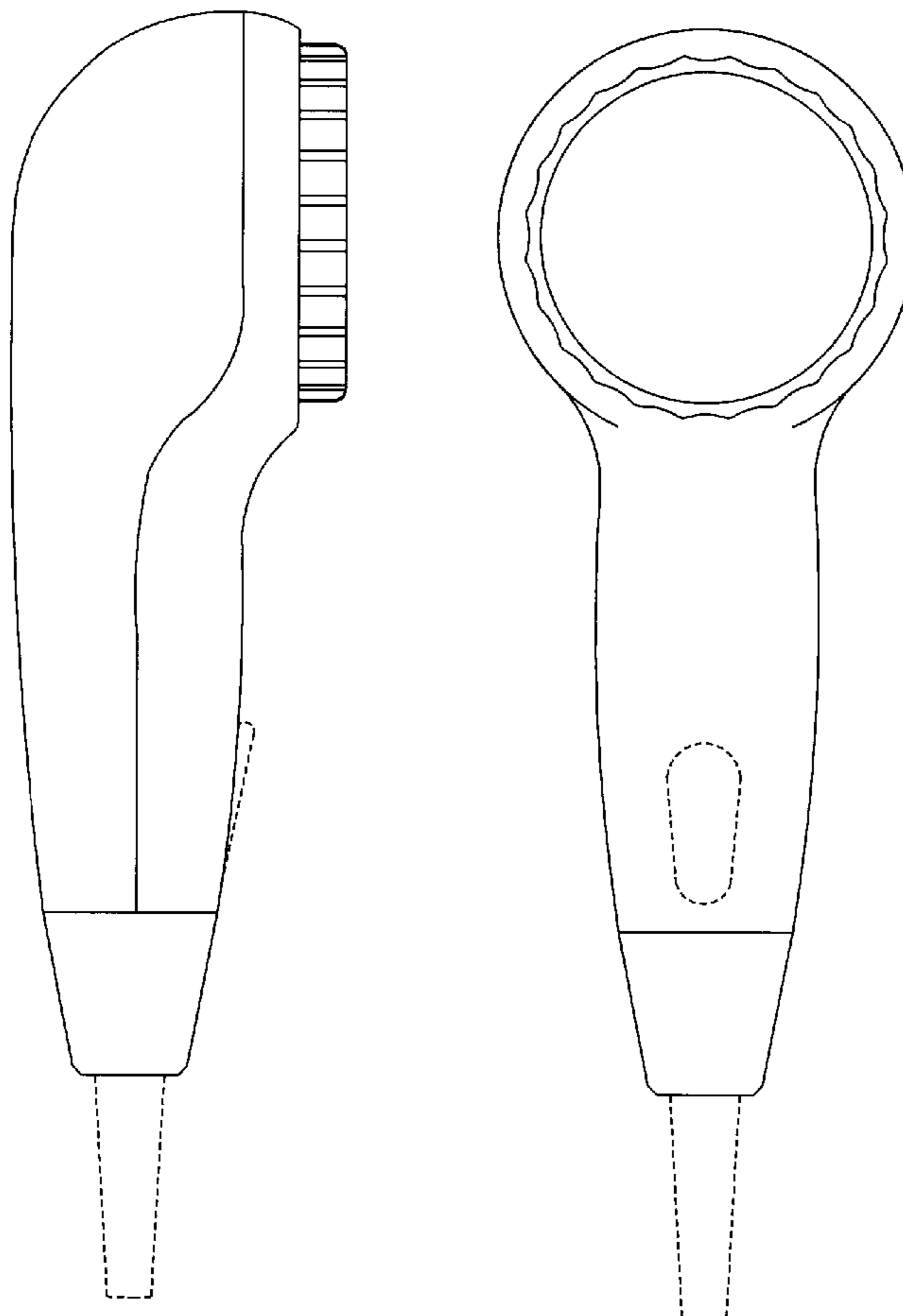
FIG. 3 is a third side view, opposite the second side view of FIG. 2, of the hair remover of FIG. 1;

FIG. 4 is a first end view of the hair remover of FIG. 1; and,

FIG. 5 is a second end view, opposite the first end view of FIG. 4, of the hair remover of FIG. 1.

The broken lines identify objects that form no part of the claimed design.

1 Claim, 3 Drawing Sheets



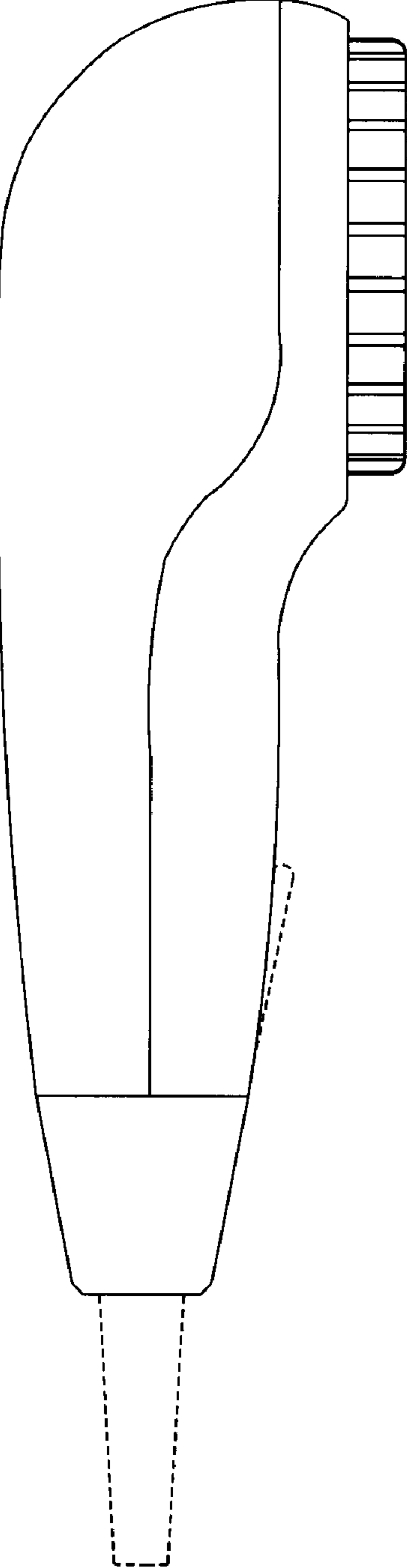


Fig. 1

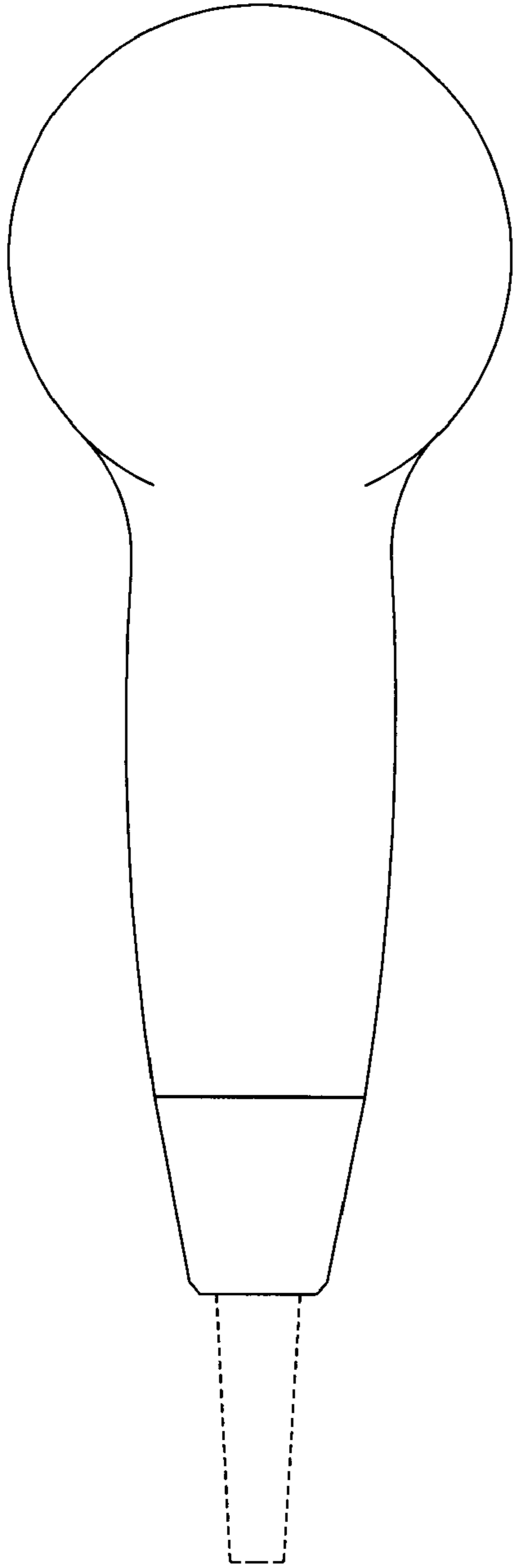


Fig. 2

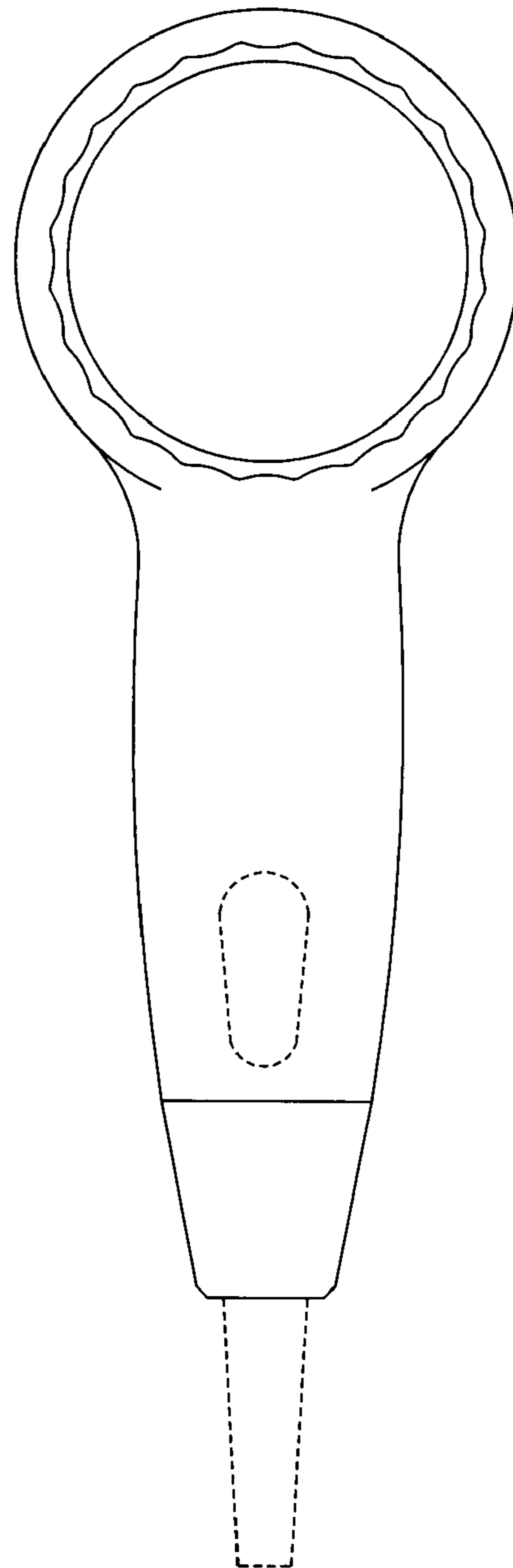


Fig. 3

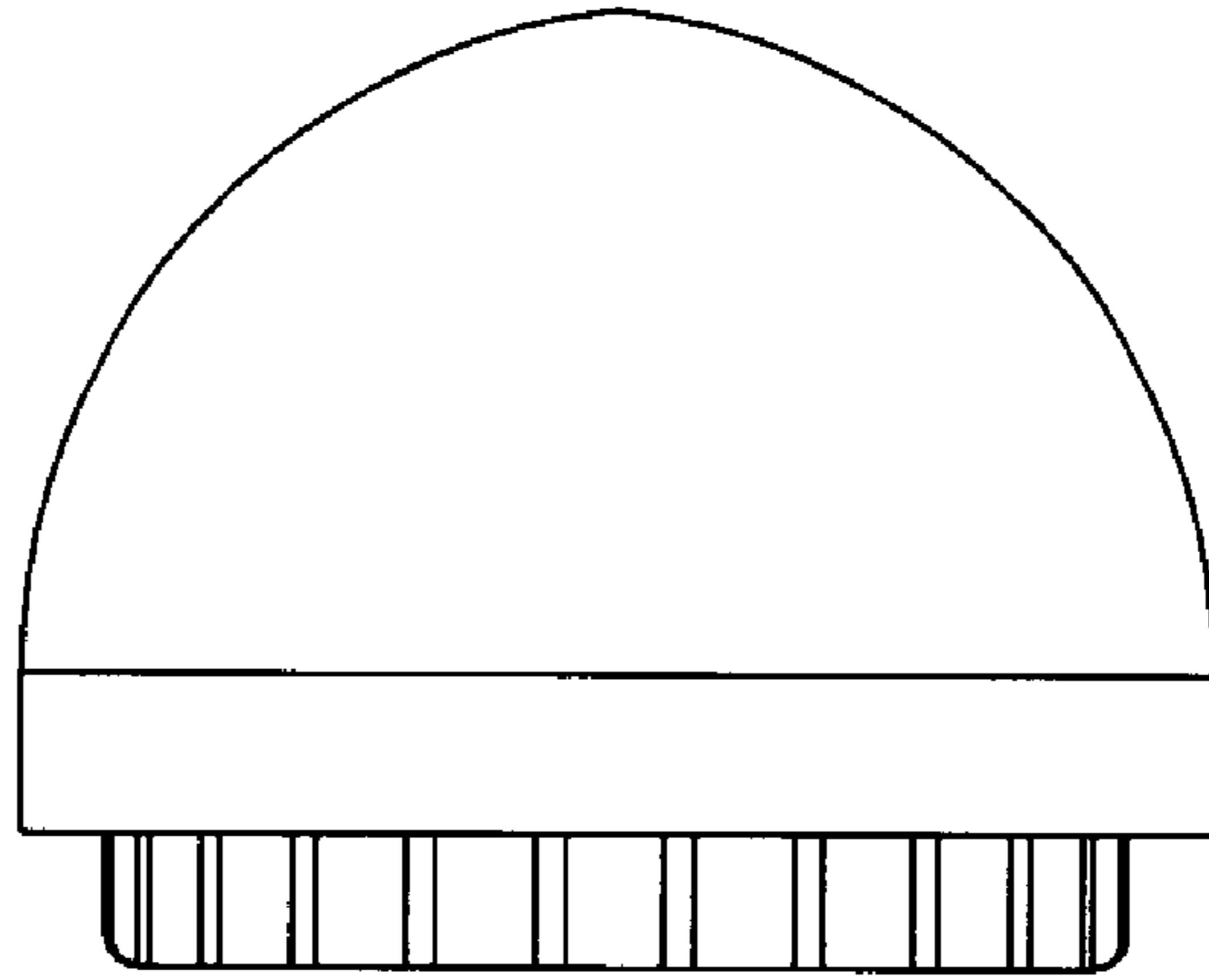


Fig. 4

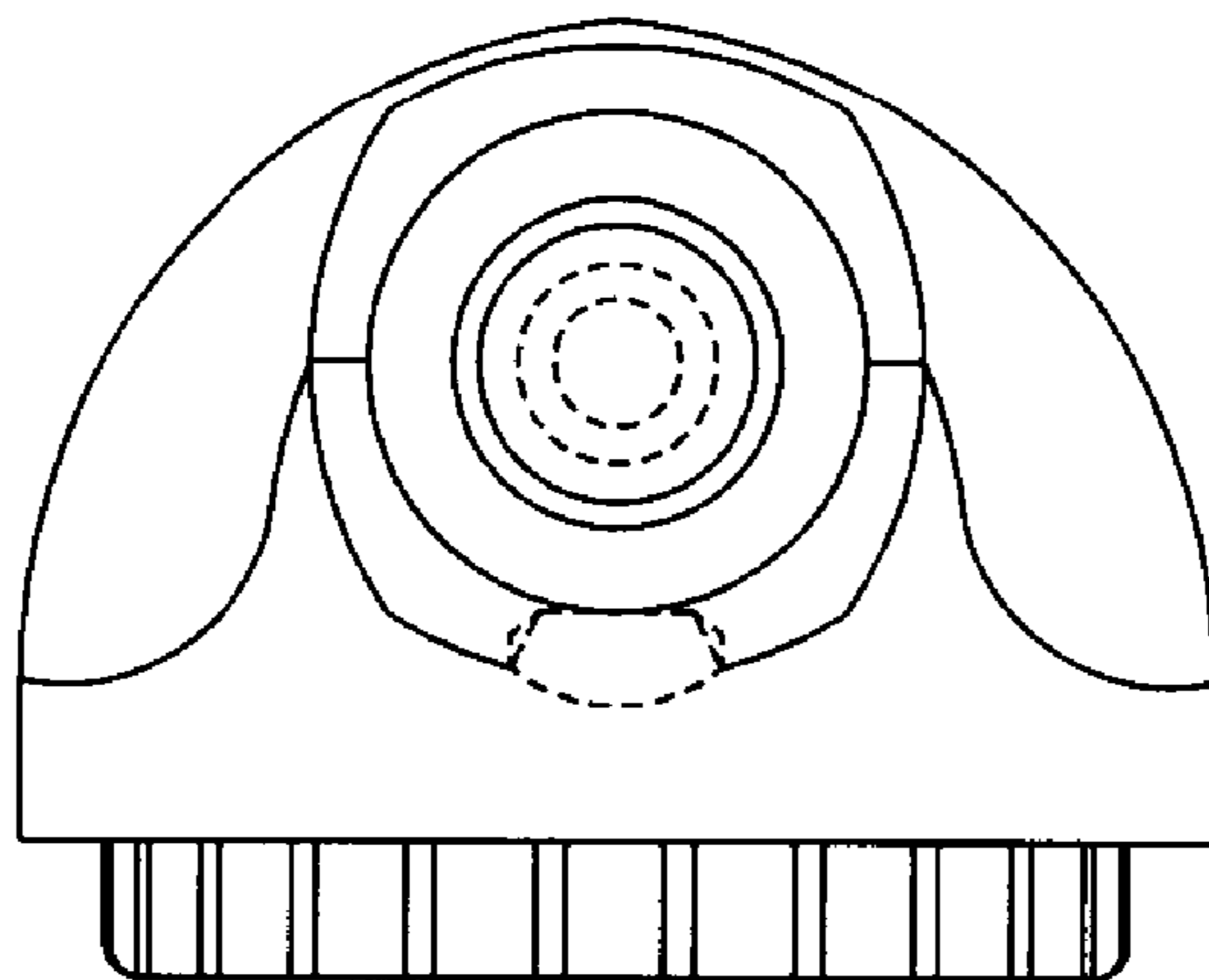


Fig. 5