



US00D510136S

(12) **United States Design Patent**
Hidalgo

(10) **Patent No.:** **US D510,136 S**
(45) **Date of Patent:** **** Sep. 27, 2005**

(54) **COMBINATION CEILING FAN BLADE AND
BLADE IRON**

(75) Inventor: **Rolando Hidalgo**, Orange, CA (US)

(73) Assignee: **Minka Lighting, Inc.**, Corona, CA
(US)

(**) Term: **14 Years**

(21) Appl. No.: **29/196,174**

(22) Filed: **Dec. 23, 2003**

(51) **LOC (8) Cl.** **23-04**

(52) **U.S. Cl.** **D23/411**

(58) **Field of Search** D23/377, 379,
D23/385, 411, 413; 416/5, 210 R; D26/59,
81-88, 72; 362/96

(56) **References Cited**

U.S. PATENT DOCUMENTS

D382,955 S	*	8/1997	Liu	D23/411
D453,218 S		1/2002	Hidalgo		
D454,630 S		3/2002	Hidalgo		
D458,363 S		6/2002	Hidalgo		
D470,931 S		2/2003	Hidalgo		
D478,976 S	*	8/2003	Young	D23/377
D484,233 S	*	12/2003	Bucher et al.	D23/377

OTHER PUBLICATIONS

Minka Aire Two Thousand Two; pp. 30, 31, Apr. 22, 2002,
Minka Lighting, Inc. USA.
Minka Aire Two Thousand Three; pp. 32, 33, Jan. 2003,
Minka Lighting, Inc. USA.
Emerson Internet Catalog; Chateau Royale, Model #
CF945PW; www.ceilingfan.com, Nov. 17, 2003, Emerson
Fans.

Casablanca Internet Catalog; Aegean Classic Model #
4385V; www.casablancafanco.com, Feb. 20, 2004, Casa-
blanca Fans.

* cited by examiner

Primary Examiner—Lisa Lichtenstein

(74) *Attorney, Agent, or Firm*—Baker & McKenzie LLP

(57) **CLAIM**

The ornamental design for a combination ceiling fan blade
and blade iron, as shown and described.

DESCRIPTION

FIG. 1 is a perspective view from below of a ceiling fan
blade and blade iron in accordance with my design, illus-
trating the environment of said ceiling fan blade and blade
iron;

FIG. 2 is an enlarged perspective view from below of the
ceiling fan blade and blade iron in accordance with my
design;

FIG. 3 is a greatly enlarged top plan view of the ceiling fan
blade and blade iron in accordance with my design;

FIG. 4 is a greatly enlarged bottom plan view of the ceiling
fan blade and blade iron in accordance with my design;

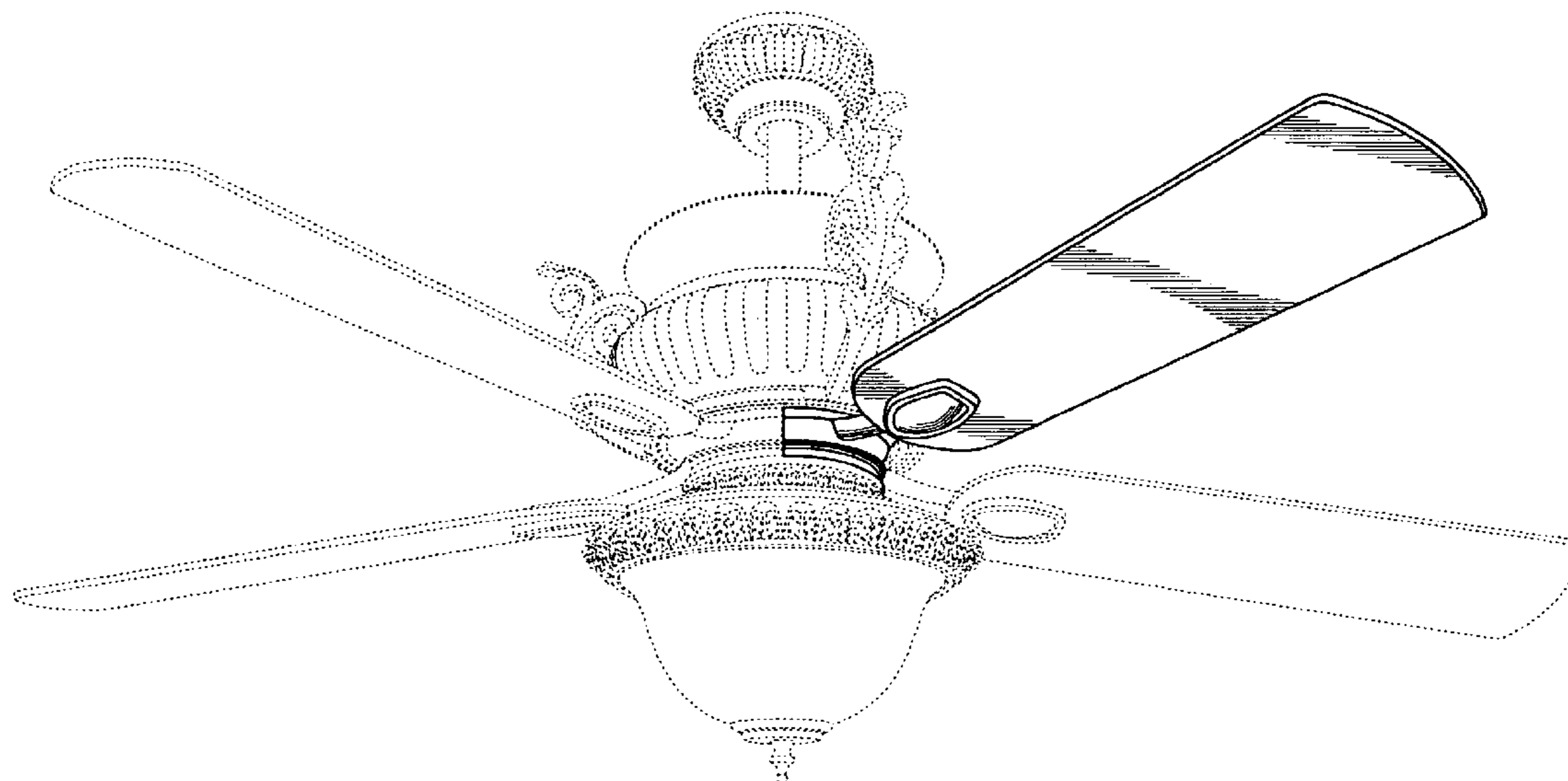
FIG. 5 is a greatly enlarged side elevation view of the ceiling
fan blade and blade iron in accordance with my design;

FIG. 6 is a greatly enlarged distal view of the ceiling fan
blade and blade iron in accordance with my design; and,

FIG. 7 is a greatly enlarged proximal view of the ceiling fan
blade and blade iron in accordance with my design.

The broken line showing of environmental structure is for
illustrative purposes only and forms no part of the claimed
design.

1 Claim, 4 Drawing Sheets



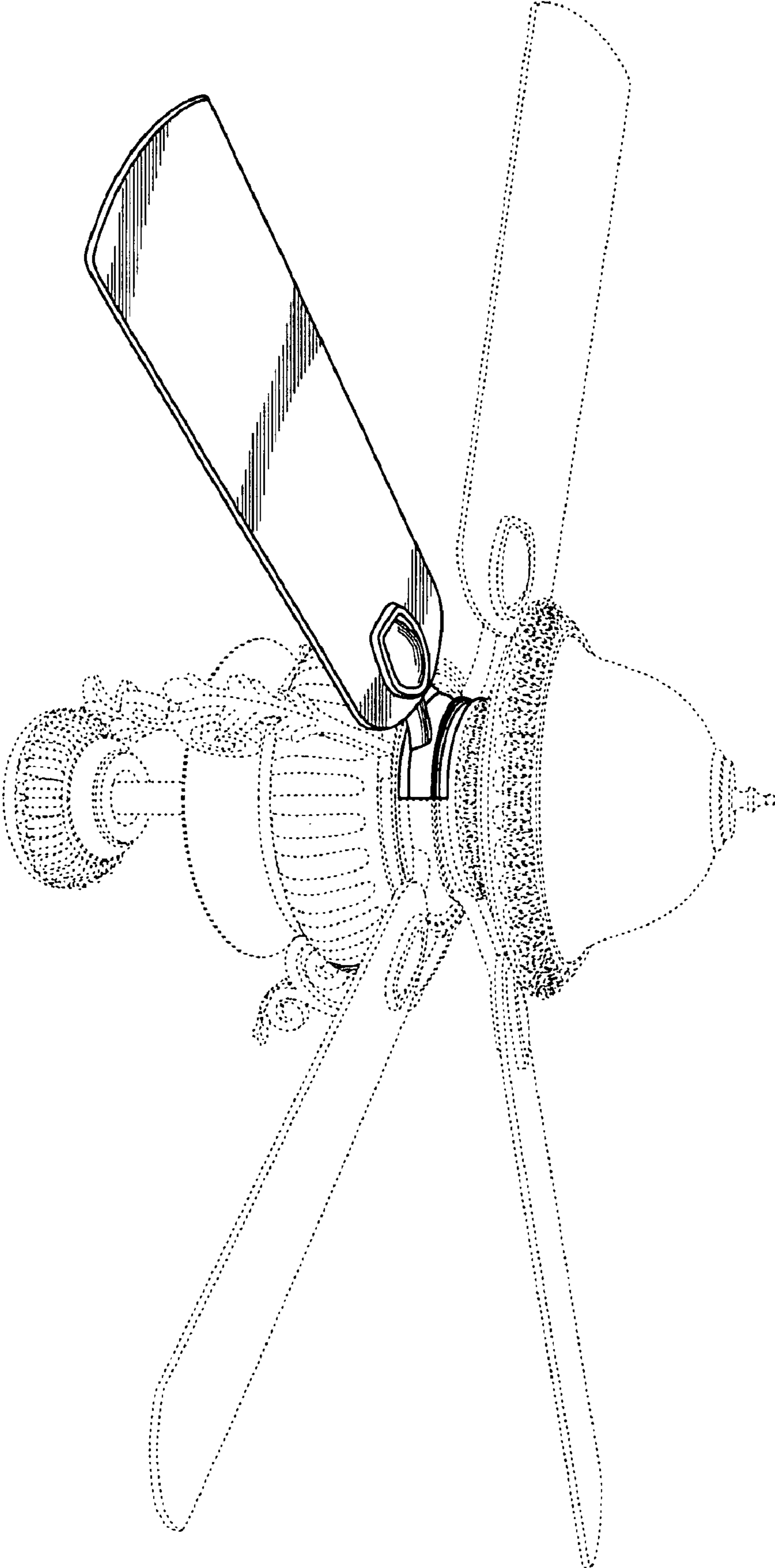


Fig. 1

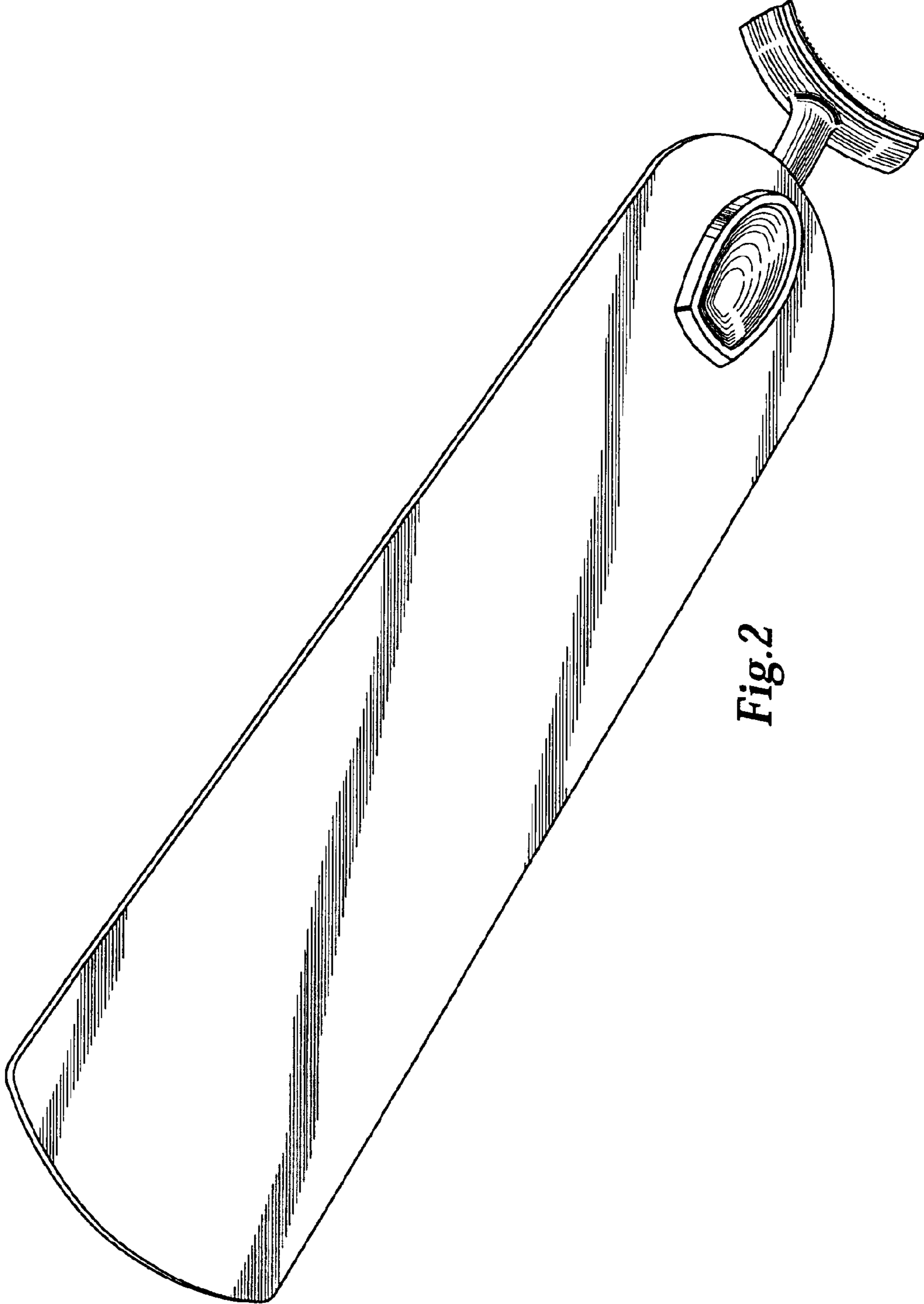


Fig. 2

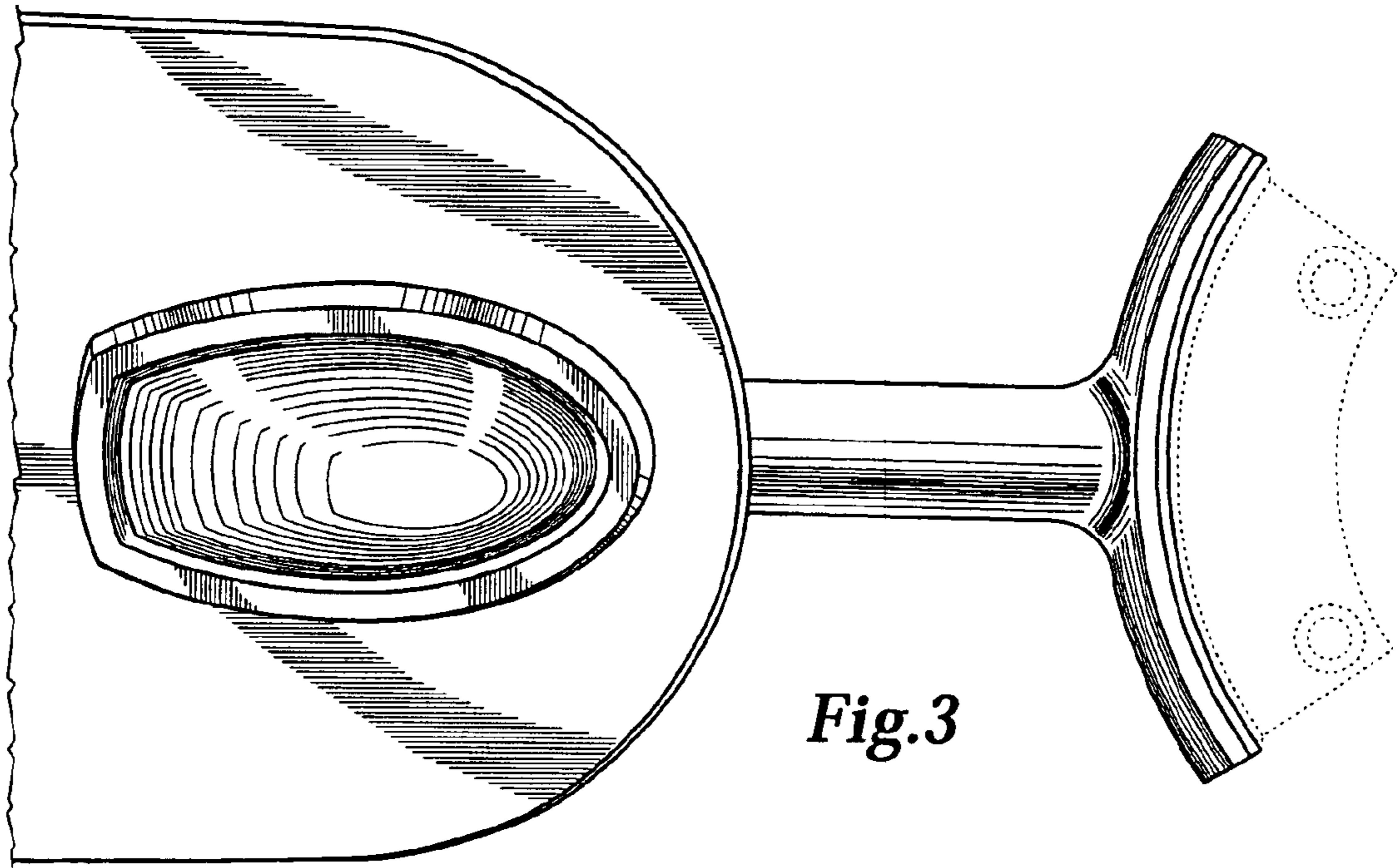


Fig.3

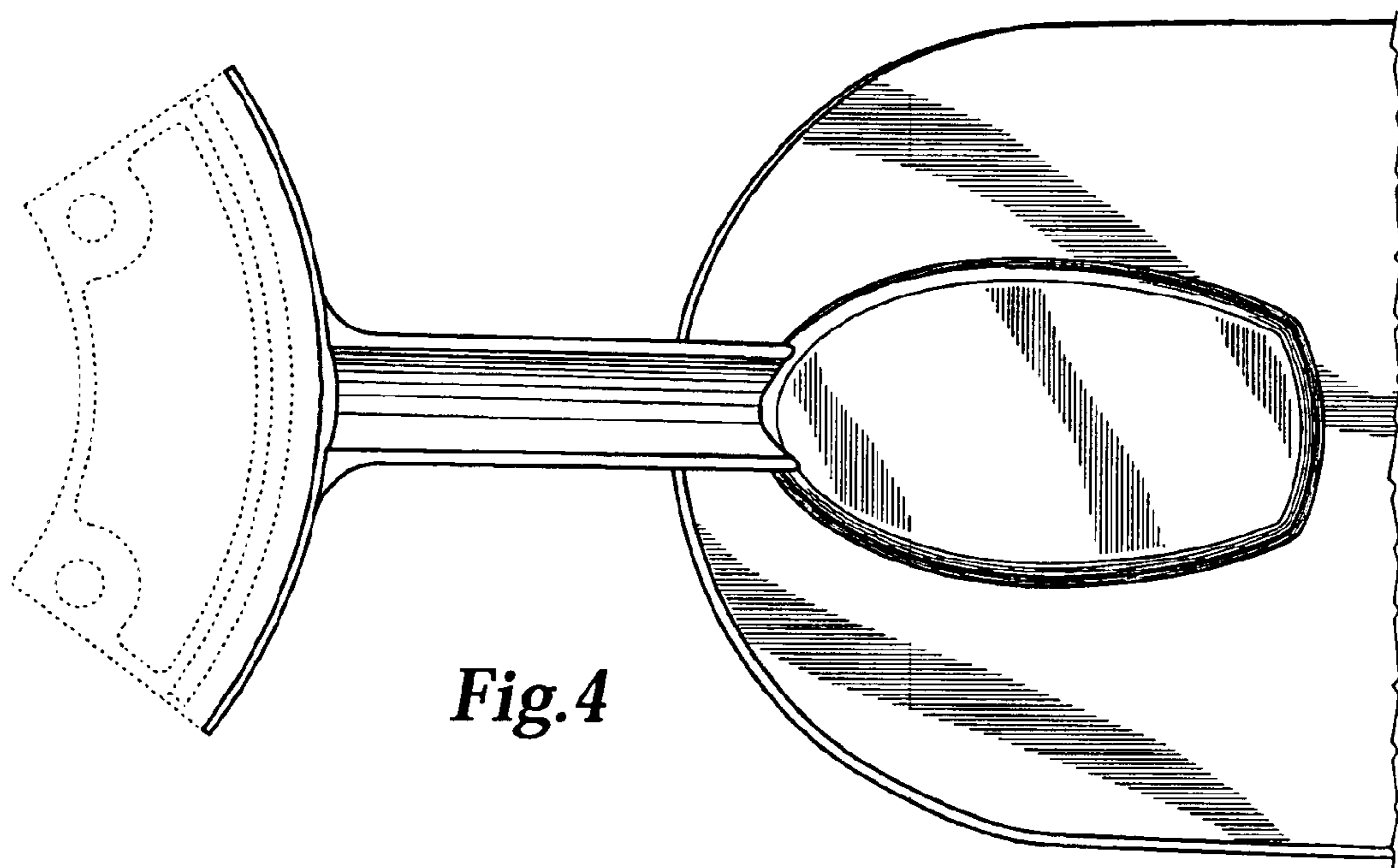


Fig.4

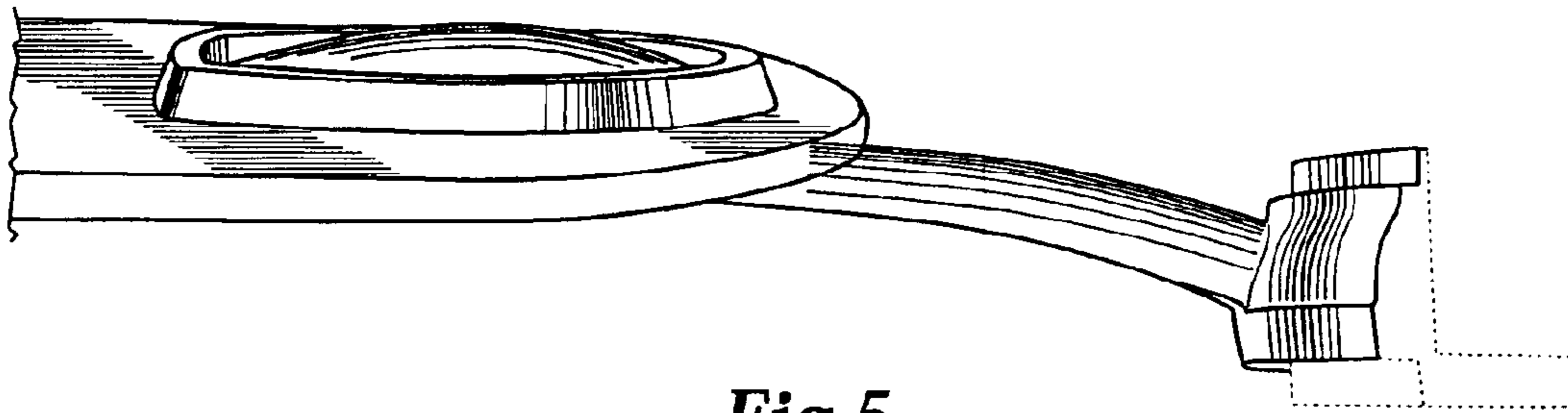


Fig.5

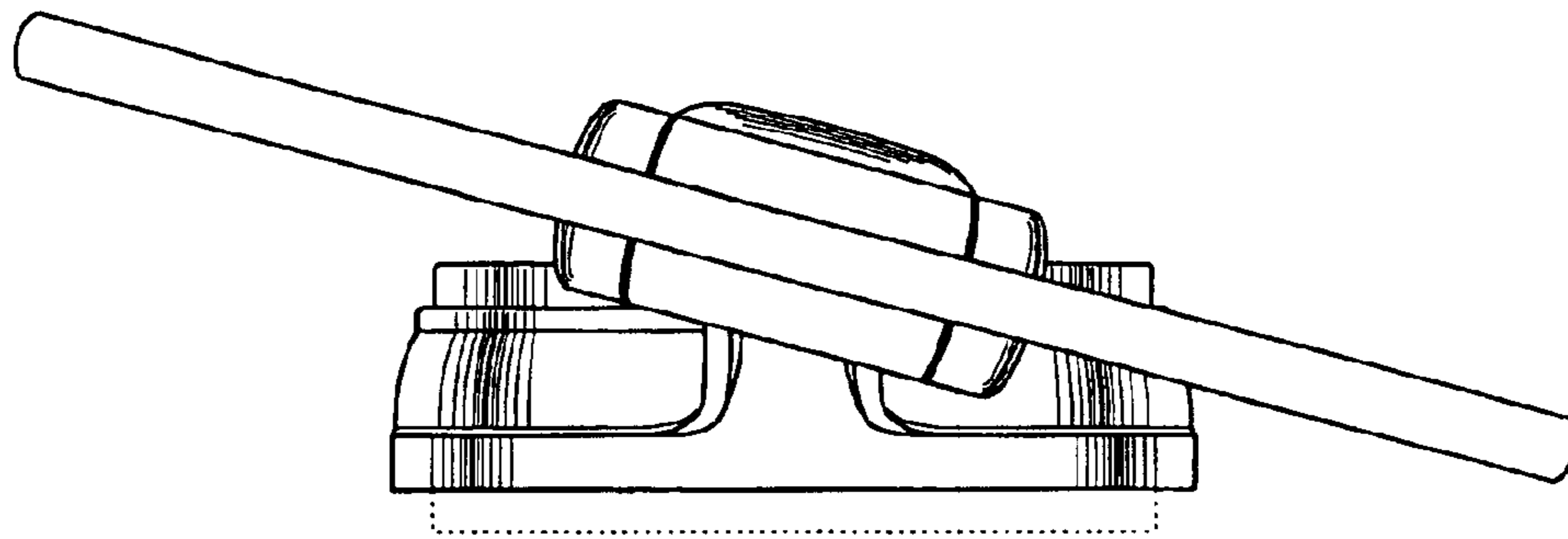


Fig.6

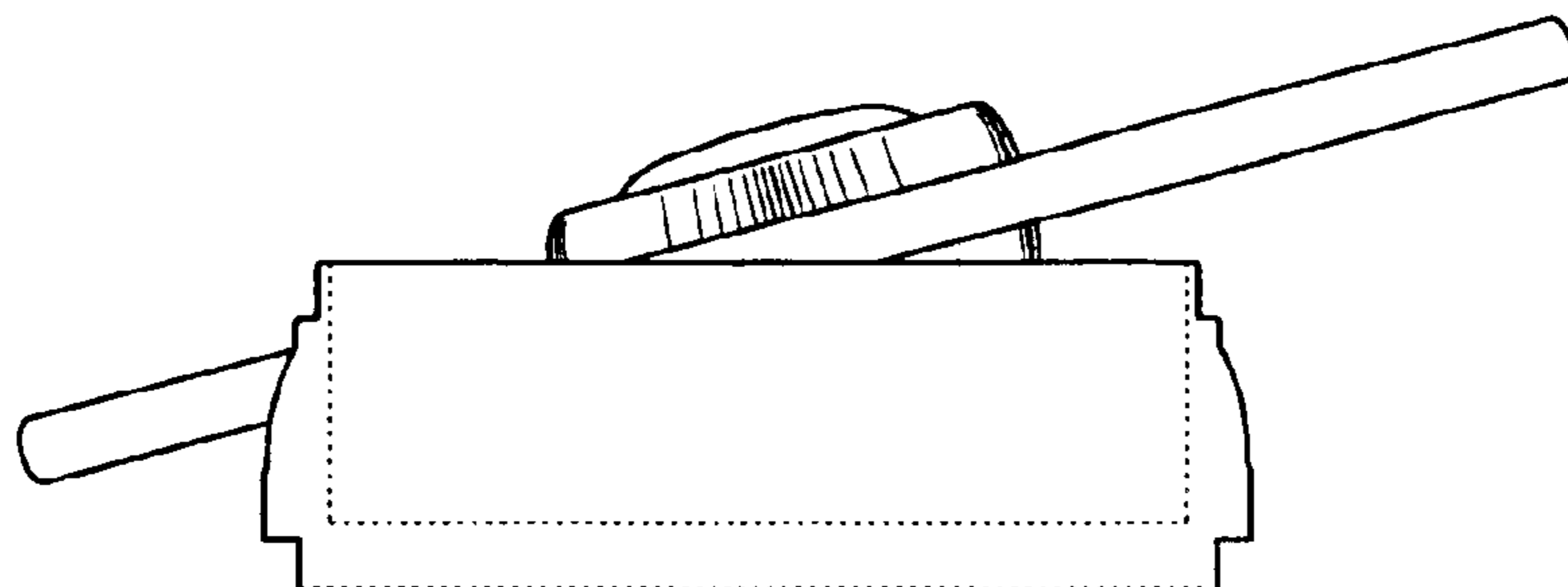


Fig.7