



US00D510133S

(12) **United States Design Patent** (10) **Patent No.:** **US D510,133 S**
Hauflaire et al. (45) **Date of Patent:** **** Sep. 27, 2005**

(54) **TODDLER URINAL**
 (75) Inventors: **Marcia Hauflaire**, Palos Park, IL (US);
Aaron Eiger, Chicago, IL (US); **Philip Anthony**,
 Chicago, IL (US); **Scott Rote**, New Lenox, IL (US)

(73) Assignee: **Visionaire Products, Inc.**, Chicago, IL (US)

(**) Term: **14 Years**

(21) Appl. No.: **29/204,576**

(22) Filed: **Apr. 30, 2004**

(51) **LOC (8) Cl.** **23-02**

(52) **U.S. Cl.** **D23/302**

(58) **Field of Search** D23/270-271,
 D23/273-274, 295, 299, 301, 303, 309;
 4/663-664, 300, 329, 420, 449, DIG. 15,
 443-446

(56) **References Cited**

U.S. PATENT DOCUMENTS

2,769,982 A 11/1956 Gossett
 D318,325 S 7/1991 McKiney D23/302
 5,044,020 A 9/1991 Lewandowski et al. 4/301
 D362,716 S * 9/1995 Kolada D23/302

5,822,804 A 10/1998 Hauflaire 4/144.1
 D429,320 S 8/2000 Reynolds D23/296
 D475,115 S * 5/2003 Ferrer D23/302
 2002/0020006 A1 2/2002 Mason, Jr. et al.

* cited by examiner

Primary Examiner—Robert A. Delehanty

(74) *Attorney, Agent, or Firm*—Greer, Burns & Crain, Ltd.

(57) **CLAIM**

The ornamental design for a toddler urinal, as shown and described.

DESCRIPTION

FIG. 1 is a perspective view of a toddler urinal showing our new design.

FIG. 2 is a front elevational view thereof.

FIG. 3 is an elevational view of the left side thereof.

FIG. 4 is an elevational view of a right side thereof.

FIG. 5 is a top plan view thereof.

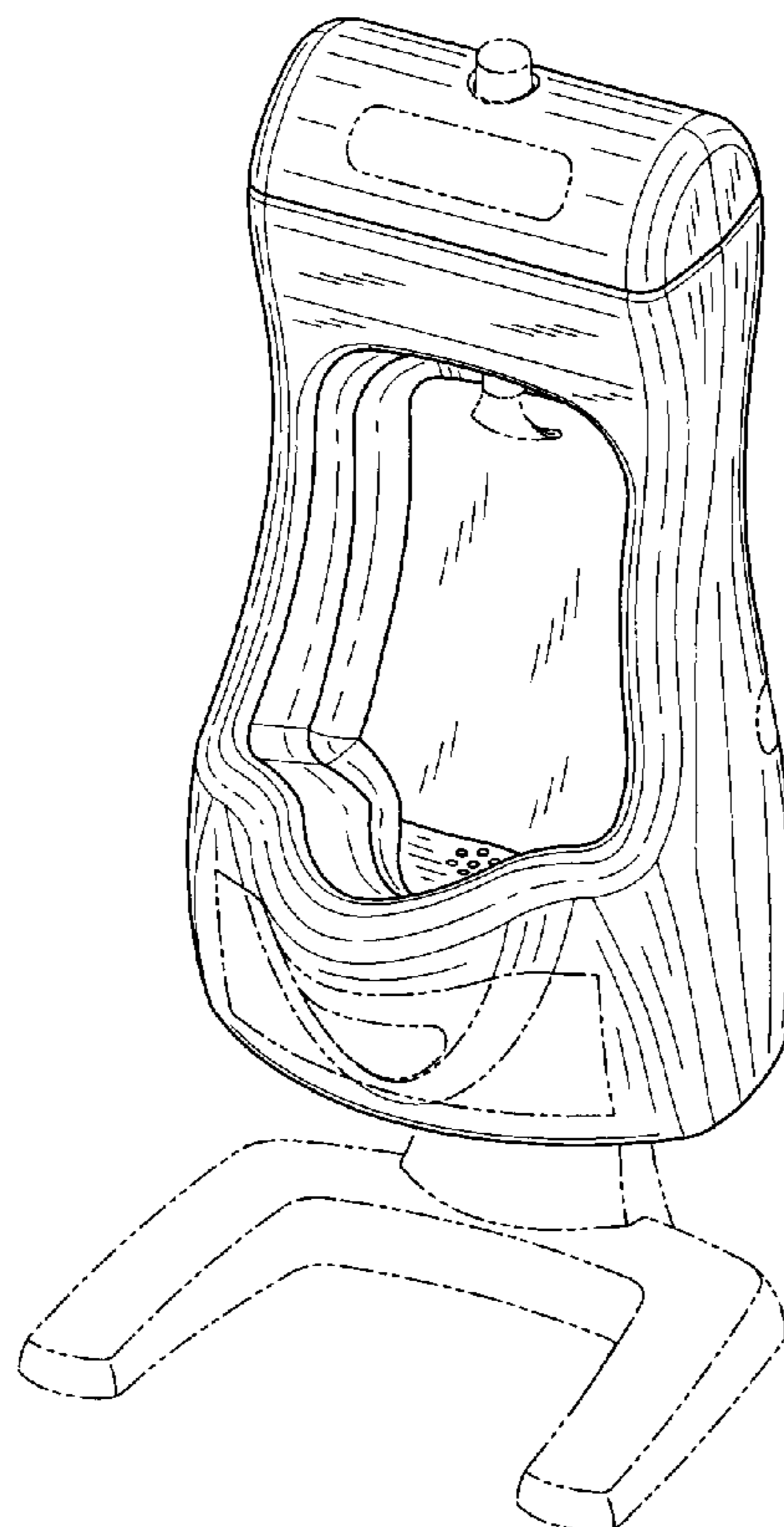
FIG. 6 is a bottom plan view thereof; and,

FIG. 7 is a rear elevational view thereof.

The features shown in broken lines in FIGS. 1-7 form no part of the claimed design.

The broken line(s) which define the bounds of the claimed design form no part thereof.

1 Claim, 5 Drawing Sheets



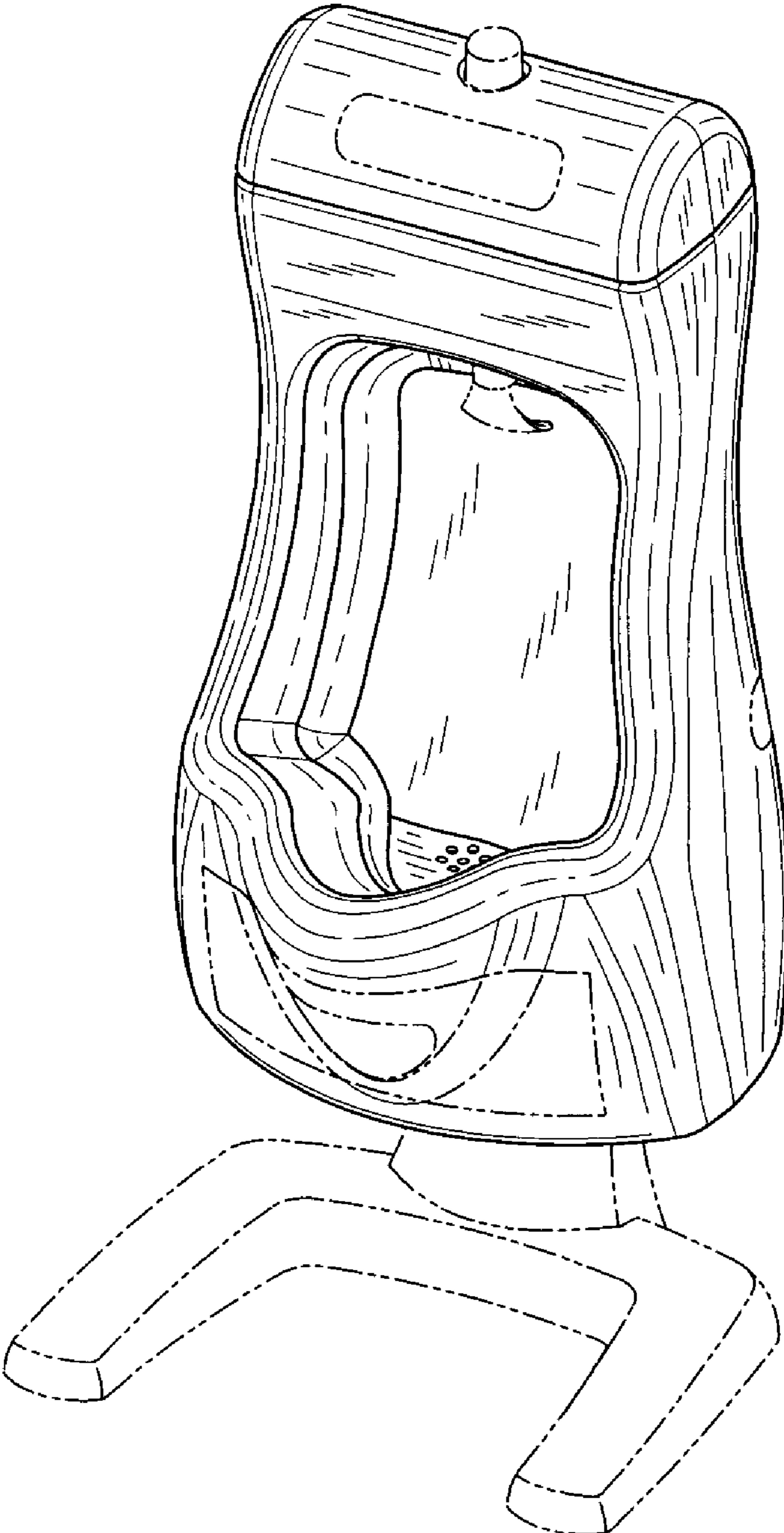


FIG. 1

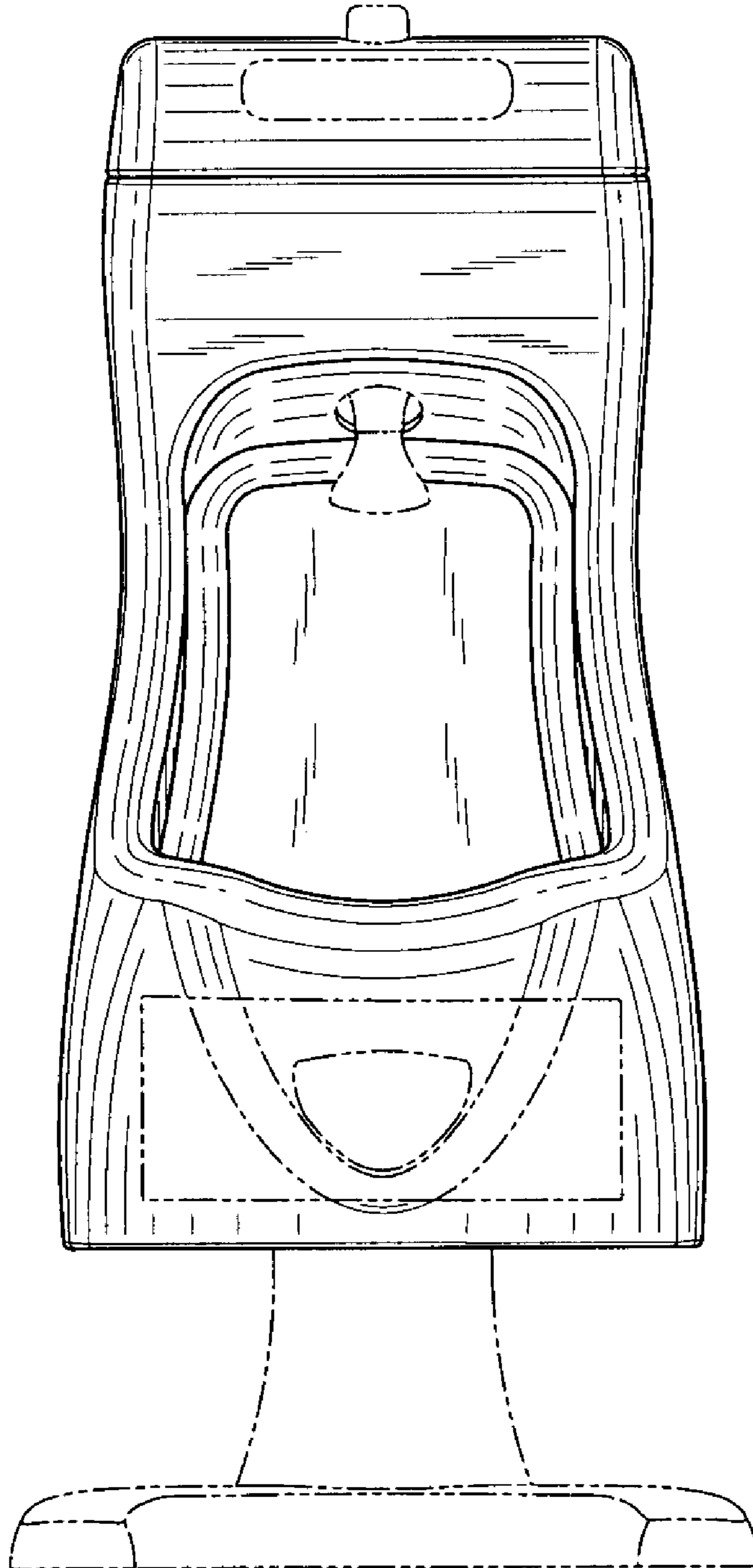


FIG. 2

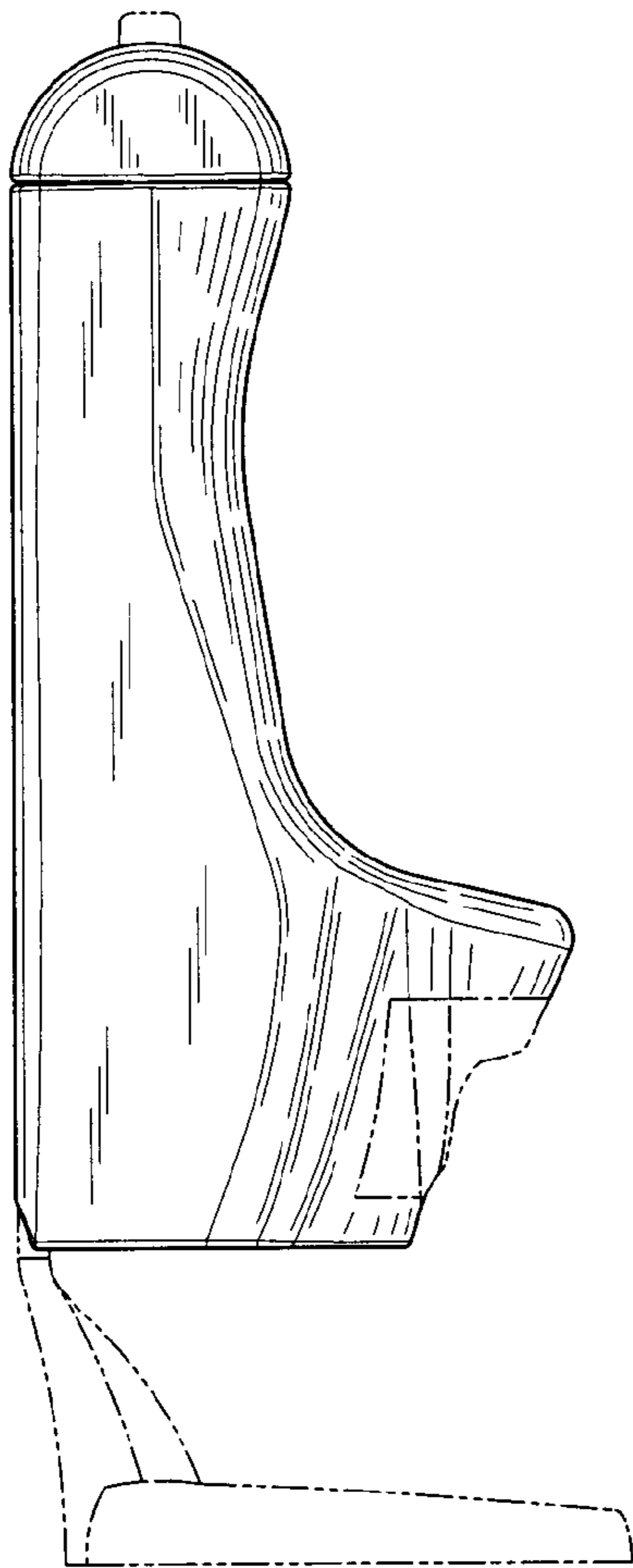


FIG. 3

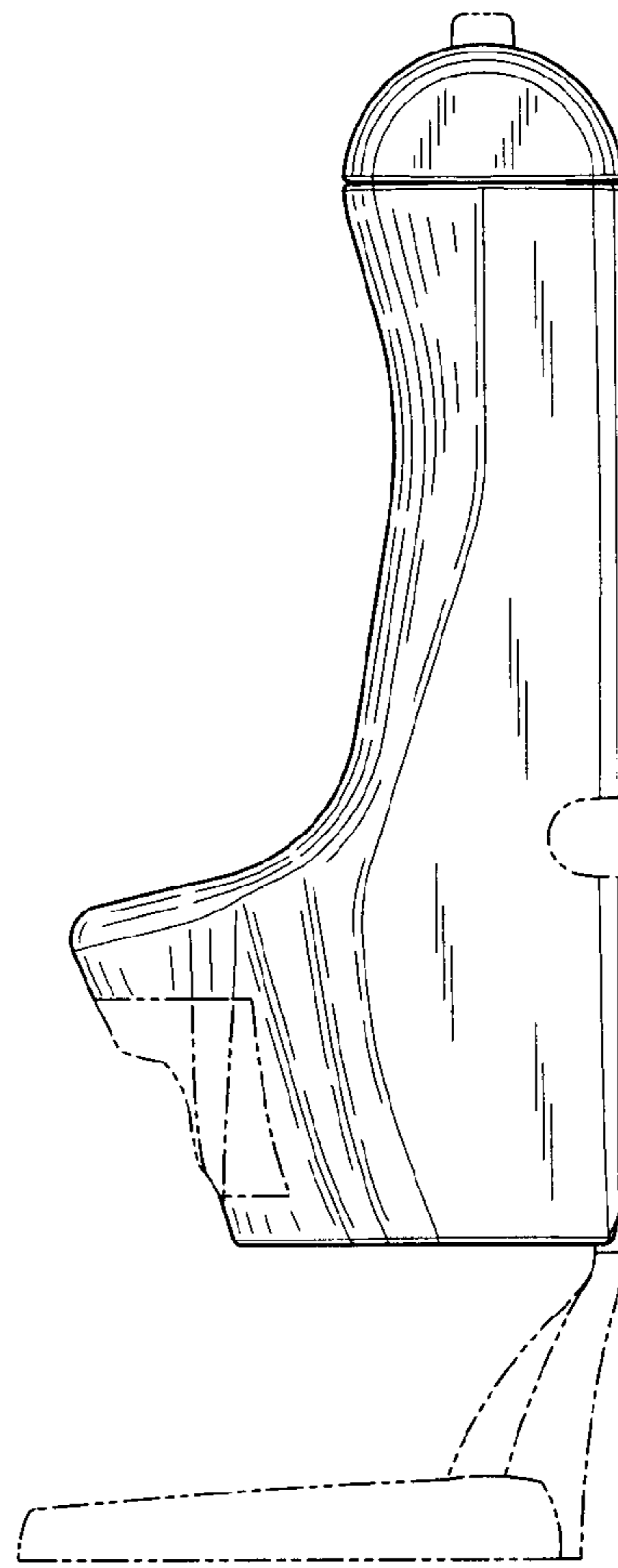


FIG. 4

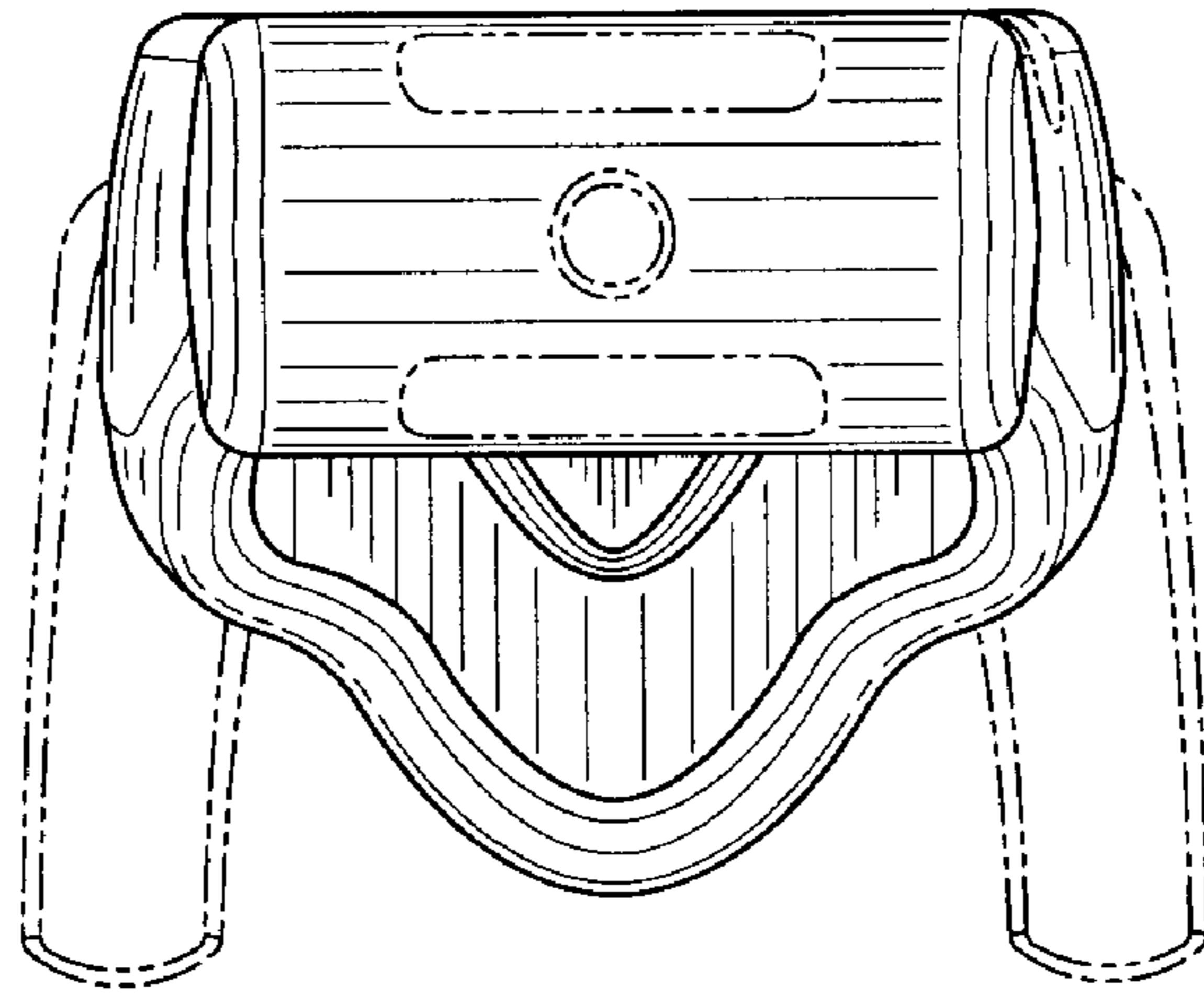


FIG. 5

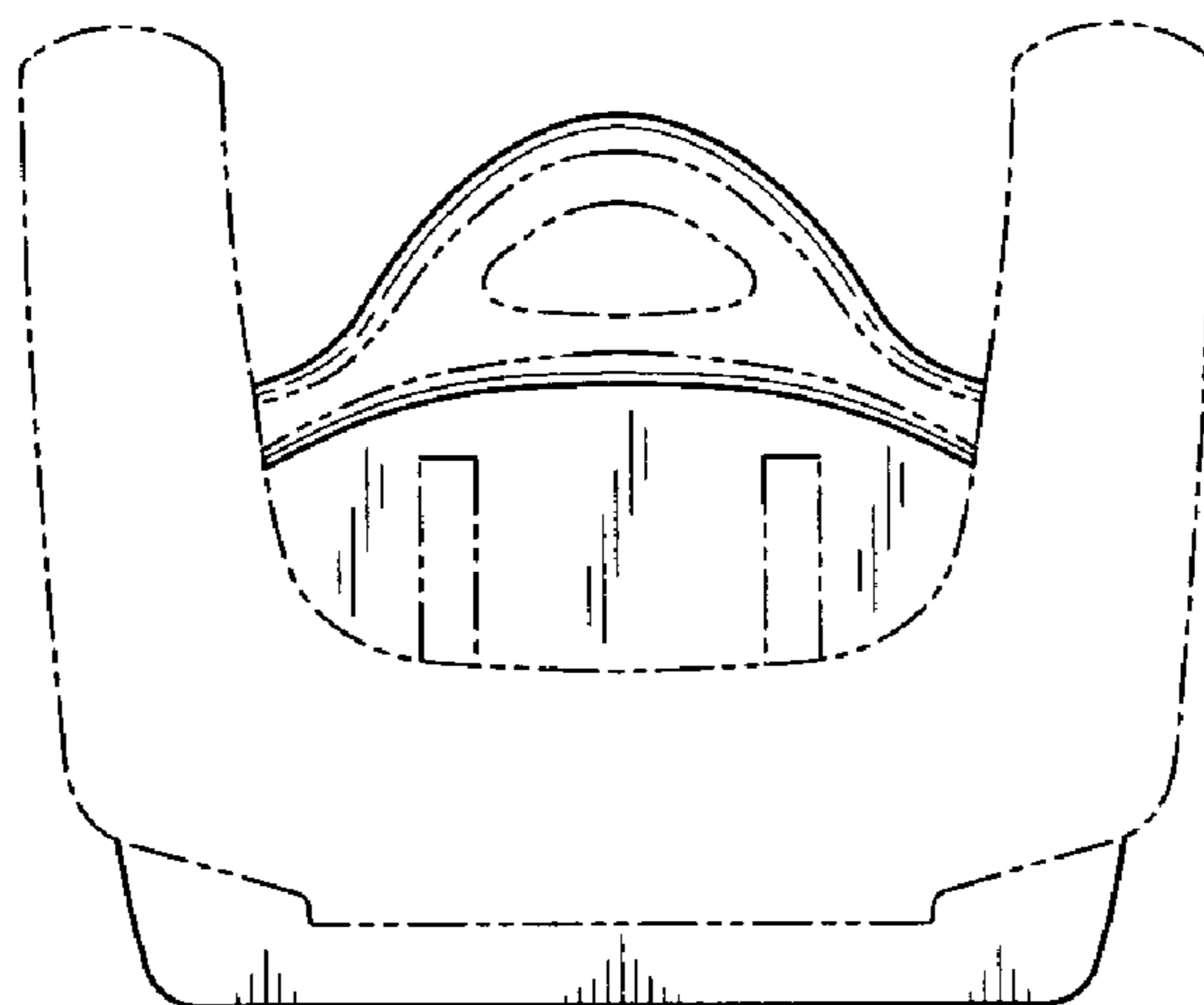


FIG. 6

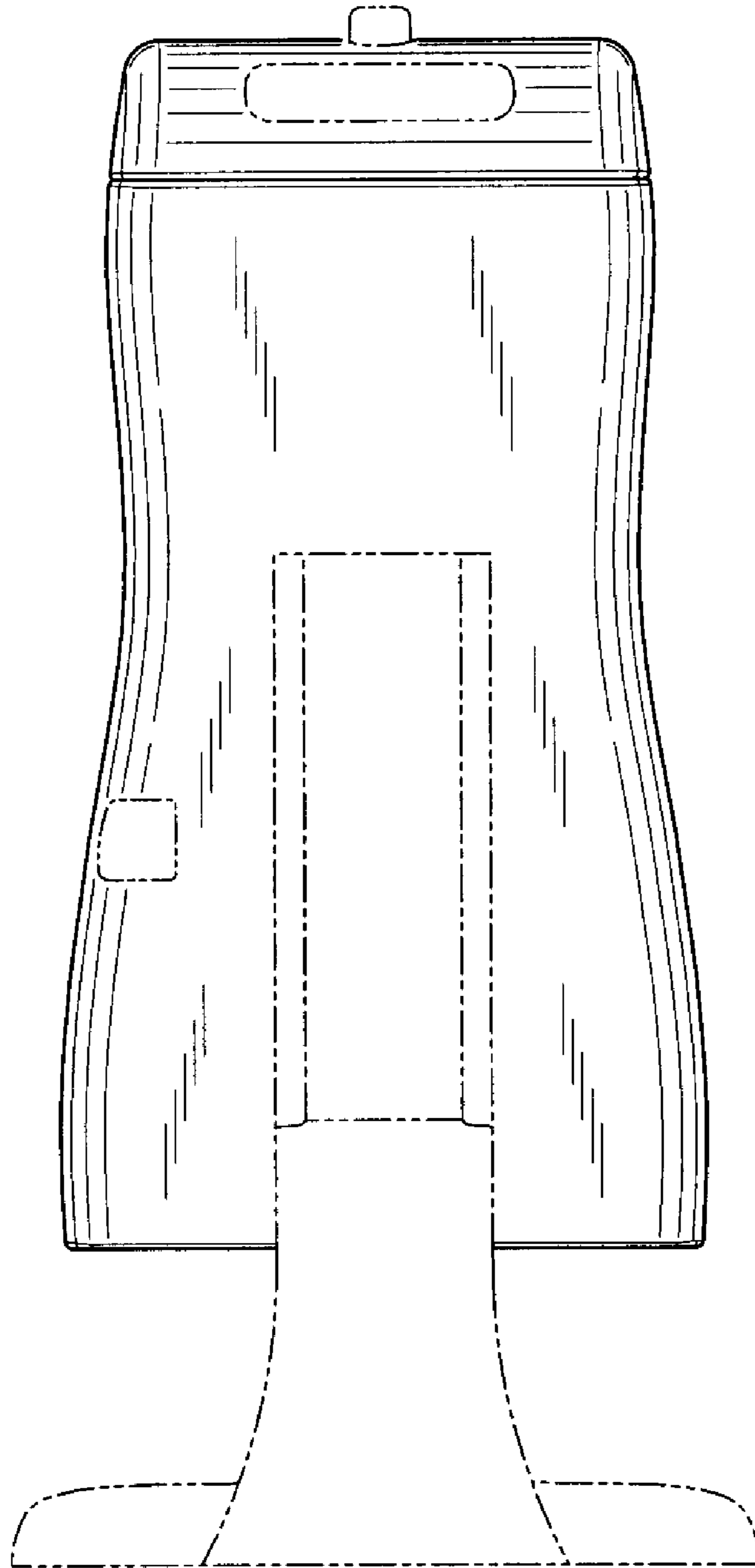


FIG. 7