



US00D510132S

(12) **United States Design Patent**
Piatt

(10) **Patent No.: US D510,132 S**
(45) **Date of Patent: ** Sep. 27, 2005**

(54) **LAVATORY**

D423,653 S 4/2000 Svendsen D23/293.1
D430,274 S 8/2000 Marshall D23/284

(75) Inventor: **James M. Piatt**, Sheboygan Falls, WI
(US)

(Continued)

(73) Assignee: **Kohler Co.**, Kohler, WI (US)

OTHER PUBLICATIONS

(**) Term: **14 Years**

1999 Kohler catalog ad, p. 16.13, showing an "Interlace"
kitchen sink.

(21) Appl. No.: **29/212,269**

(Continued)

(22) Filed: **Aug. 30, 2004**

Primary Examiner—Robert A. Delehanty
(74) *Attorney, Agent, or Firm*—Quarles & Brady LLP

Related U.S. Application Data

(60) Division of application No. 29/190,332, filed on Sep. 18,
2003, now Pat. No. Des. 497,417, which is a division of
application No. 29/158,620, filed on Apr. 4, 2002, now Pat.
No. Des. 482,434, which is a continuation-in-part of appli-
cation No. 29/153,936, filed on Oct. 26, 2001, now Pat. No.
Des. 473,293.

(57) **CLAIM**

The ornamental design for a lavatory, as shown and
described.

(51) **LOC (8) Cl.** **23-02**

(52) **U.S. Cl.** **D23/293.1**

(58) **Field of Search** D23/270–274,
D23/283–284, 286–287, 291–292, 293.1,
303, 304–308; 4/553, 557–558, 596–604,
612–614, 619, 622, 629–630, 633, 638,
650–651, 660

DESCRIPTION

In a preferred embodiment, the nature of this product is as
a plumbing fixture in the form of a lavatory which is
primarily useful for washing the body parts of humans.

FIG. 1 is a left, top, front perspective view of a lavatory
embodying my new design;

FIG. 2 is a top plan view thereof;

FIG. 3 is a front elevational view thereof, the rear elevational
view thereof being a mirror image of the front view shown;
FIG. 4 is a left side elevational view thereof, the right side
elevational view thereof being a mirror image of the left side
shown;

(56) **References Cited**

U.S. PATENT DOCUMENTS

450,895 A	4/1891	Shattuck	D23/293.1
998,742 A	7/1911	Berkley	4/652 X
2,389,724 A	11/1945	Falco	D23/283 X
3,379,583 A	4/1968	Frey	4/638 X
D218,031 S	7/1970	Wheeler, Jr.	D23/308
3,578,737 A	5/1971	Ruggles et al.	4/631
3,579,661 A	5/1971	Lien	4/651 X
D232,638 S	9/1974	Mather	D23/284
D236,204 S	8/1975	Cooper	D23/308 X
4,086,669 A	5/1978	Combis	4/622
D298,452 S	11/1988	Carter	D23/293.1
D332,829 S	1/1993	Belfor	D23/292
D356,148 S	3/1995	Kohler, Jr. et al.	D23/293.1
5,628,484 A	5/1997	Lechuga	4/594

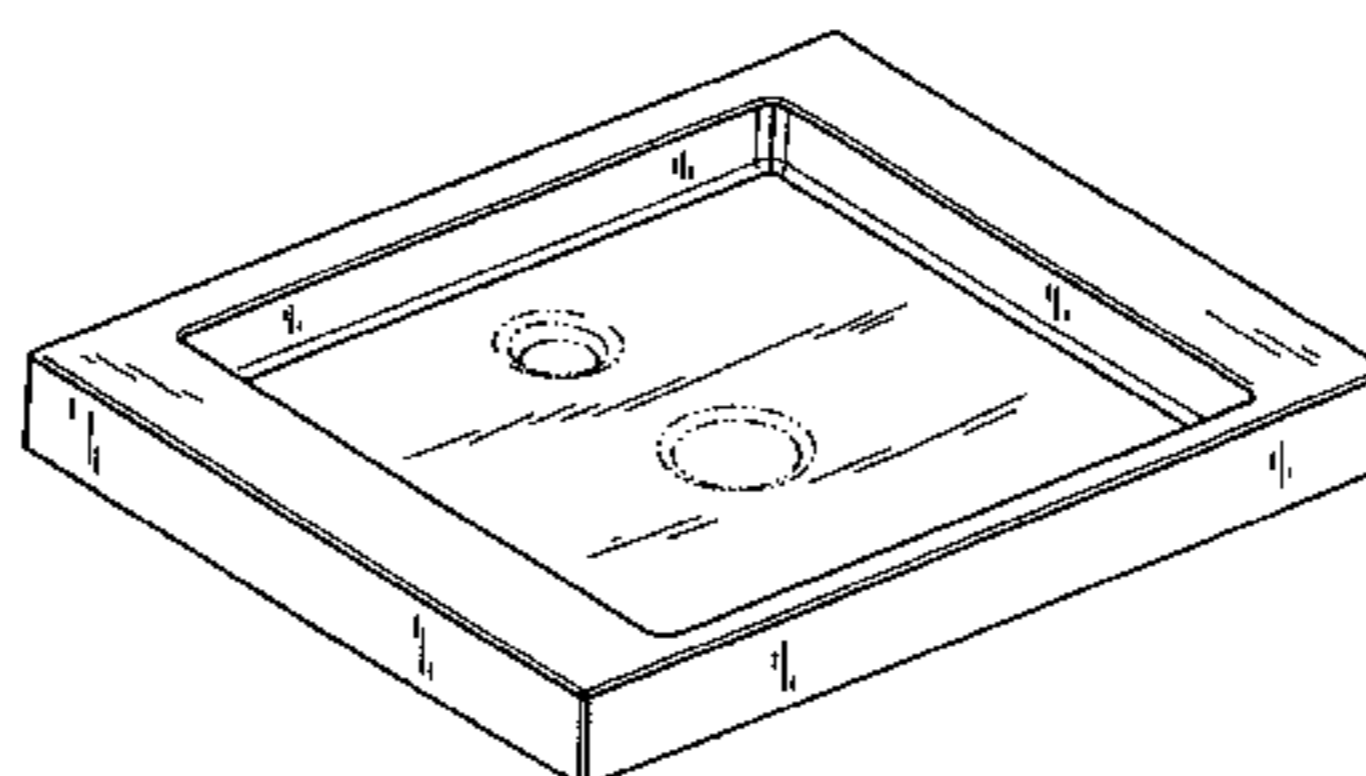
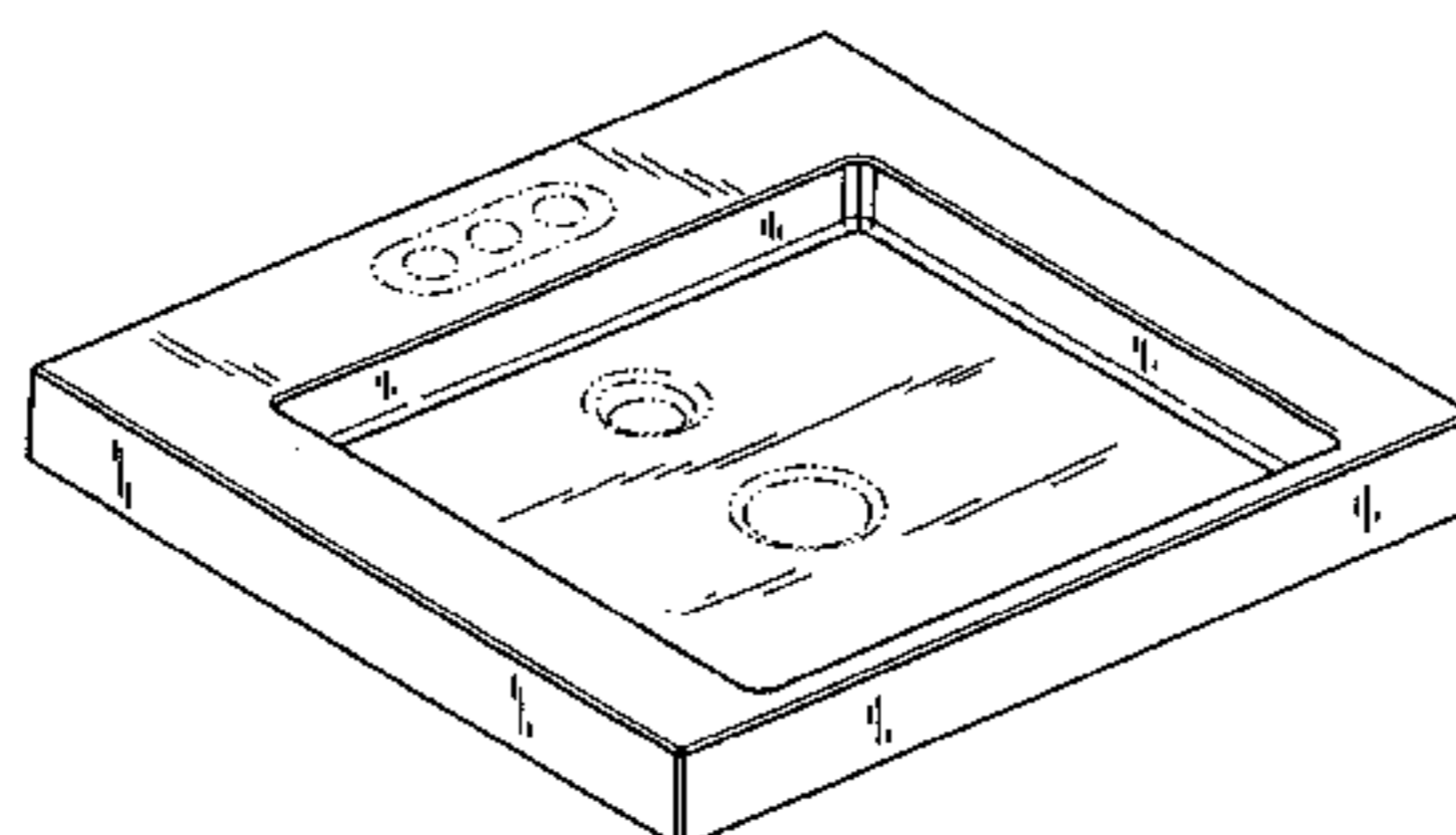
FIG. 5 is a left, top, front perspective view of a lavatory
according to another embodiment of my new design, the
front elevational view thereof being identical to front eleva-
tional view shown in FIG. 3, the rear elevational view
thereof being a mirror image of the front view shown;

FIG. 6 is a top plan view thereof; and,

FIG. 7 is a left side elevational view thereof, the right side
elevational view thereof being a mirror image of the left side
shown.

The broken line representations of a holes in FIGS. 1 and 2
and of drains in FIGS. 1–7 are for the purpose of illustration
only, and form no part of the claimed design.

1 Claim, 3 Drawing Sheets



US D510,132 S

Page 2

U.S. PATENT DOCUMENTS

D436,656 S	1/2001	McKeone	D23/293.1
D446,288 S	8/2001	McKeone et al.	D23/293.1
6,276,648 B1	8/2001	Katz et al.	4/648
6,363,547 B1	4/2002	Perry	4/614
D461,881 S	8/2002	McKeone	D23/293.1
D463,538 S	9/2002	Chipperfield	D23/284

OTHER PUBLICATIONS

1999 Kohler catalog ad, p. 16.55, showing a K-3340 "Undertone" sink.
1998 Kohler catalog ad, p. 8-25, showing a "Jamestown" lavatory.
1999 Kohler catalog ad, p. 14.9, showing a "Folio" lavatory.
2000 Kohler catalog ad, p. 11.23, showing "Memoirs" shower receptors.

FIG. 1

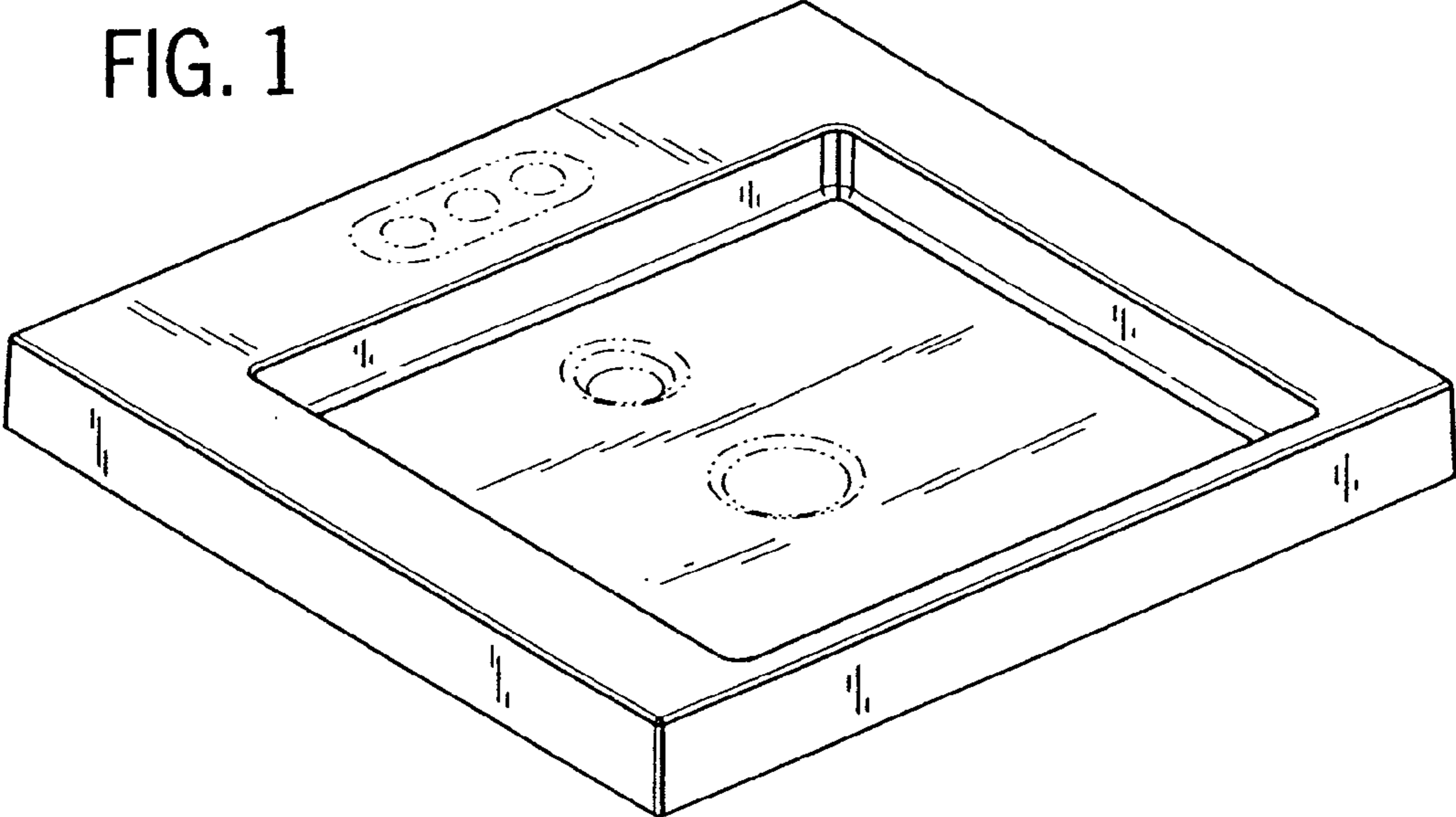


FIG. 2

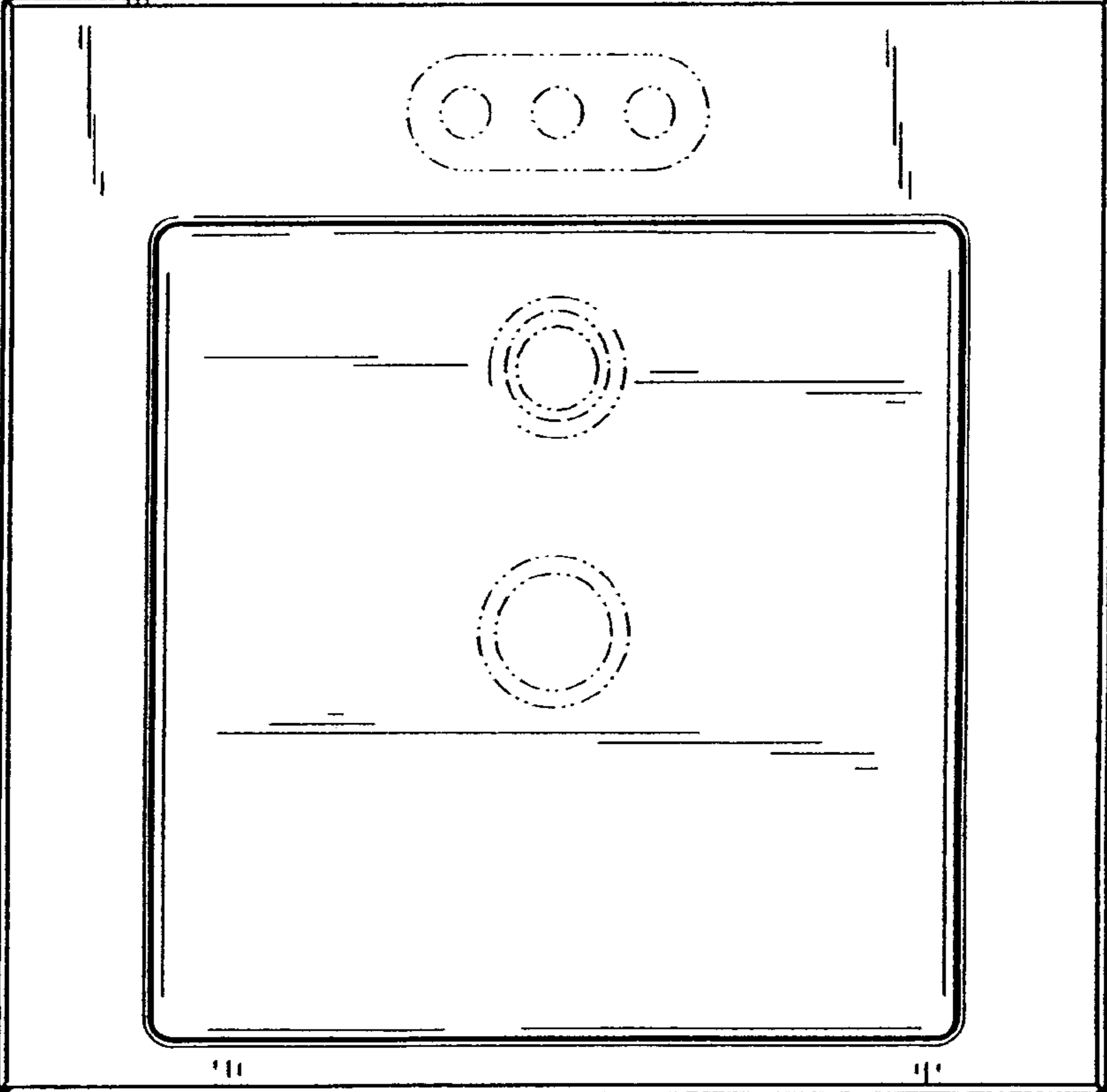


FIG. 3

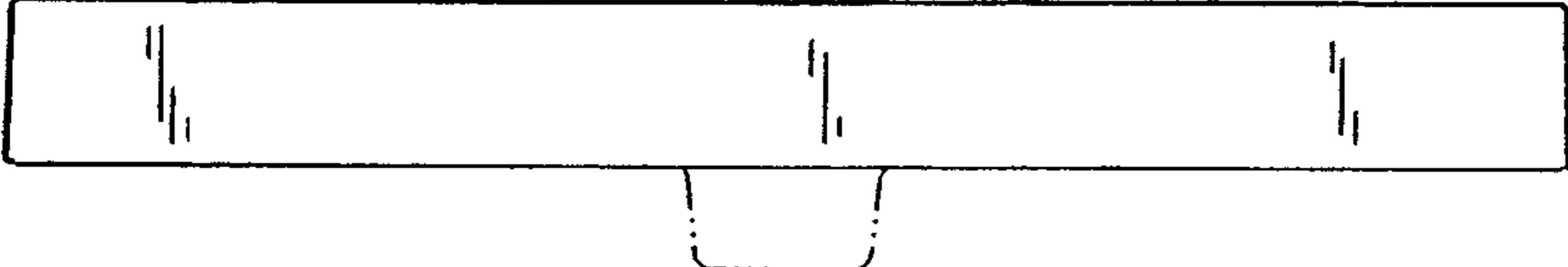


FIG. 4

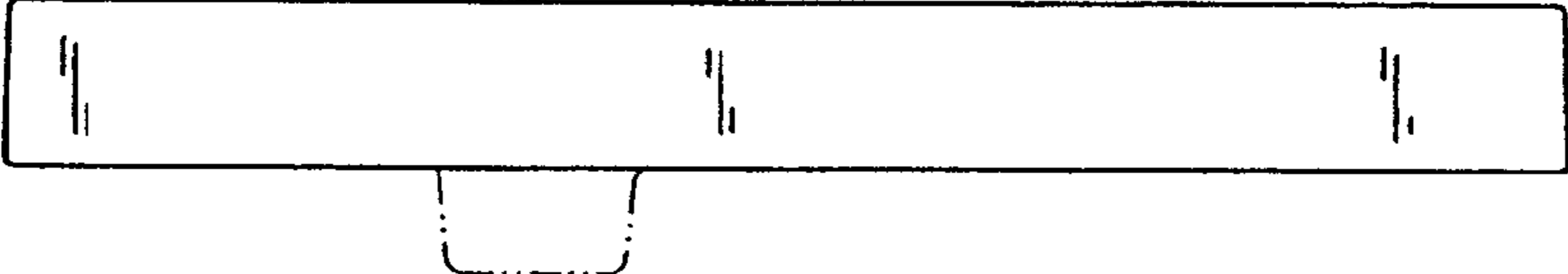


FIG. 5

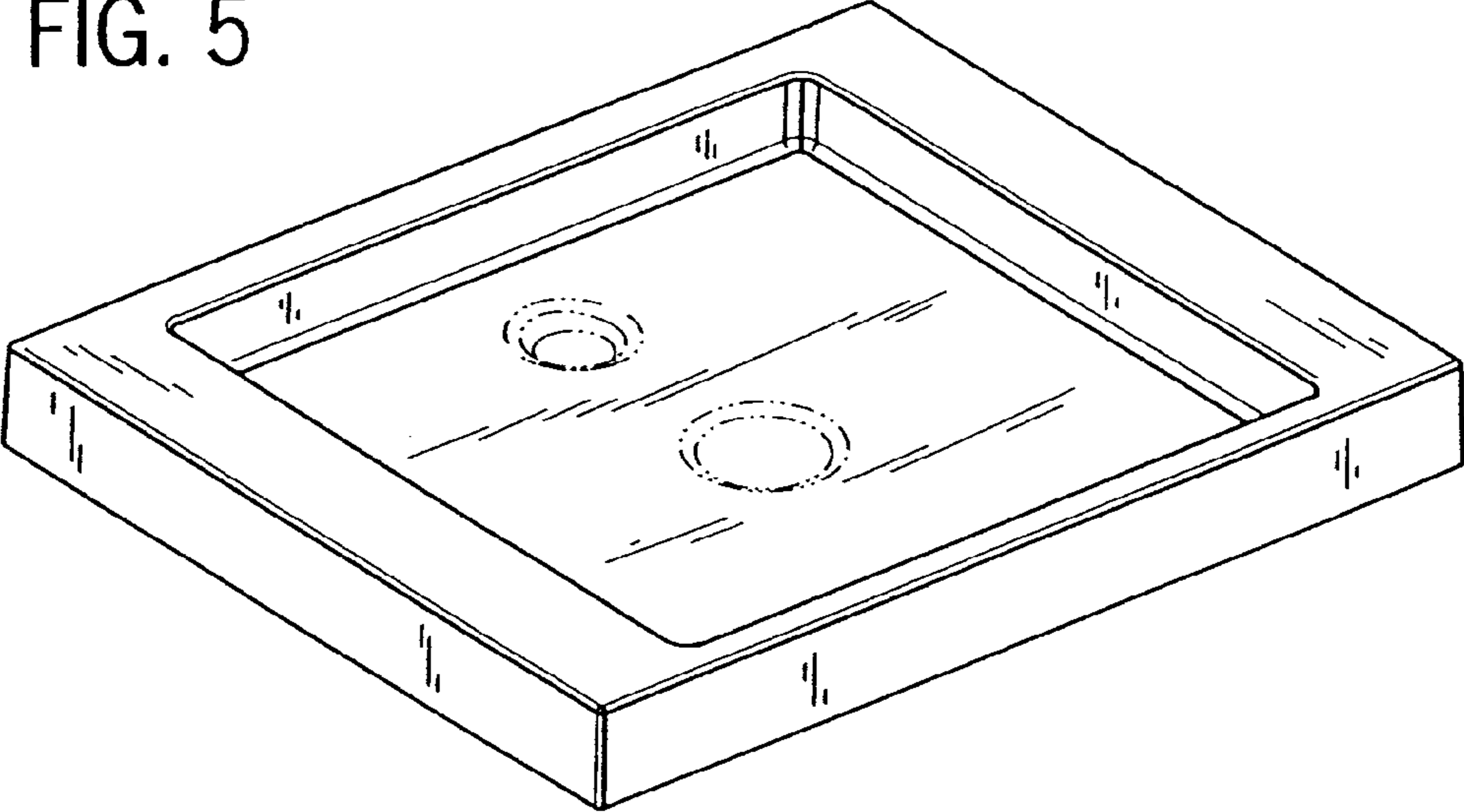


FIG. 6

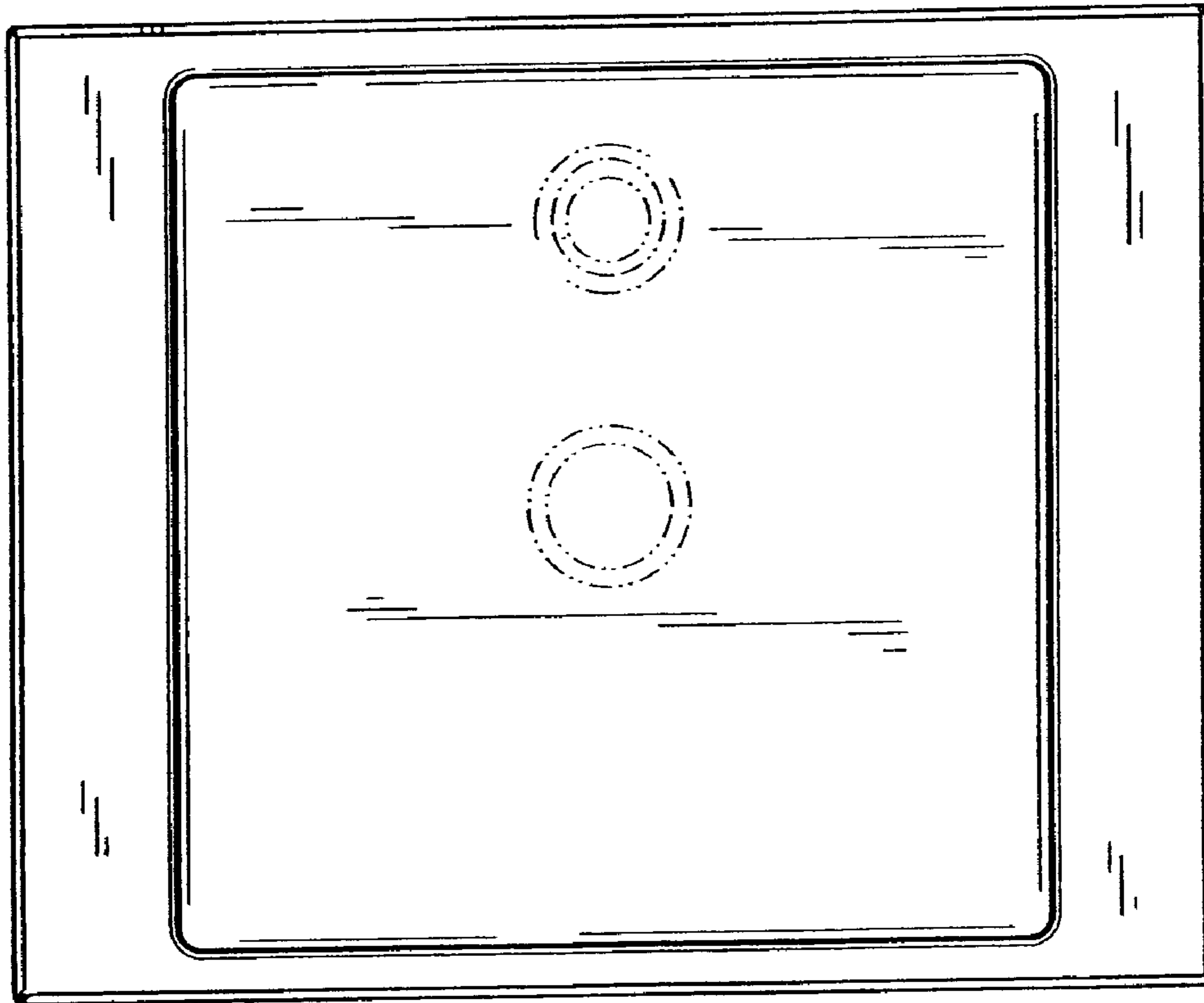


FIG. 7

