



US00D510131S

(12) **United States Design Patent**  
**Karasawa**

(10) **Patent No.:** **US D510,131 S**  
(45) **Date of Patent:** **\*\* Sep. 27, 2005**

- (54) **WATER SPRAY NOZZLE LINK**
- (75) Inventor: **Akihiro Karasawa**, Amagasaki (JP)
- (73) Assignee: **Suikosha Corp.**, Amagasaki (JP)
- (\*\*) Term: **14 Years**

- (21) Appl. No.: **29/203,217**
- (22) Filed: **Apr. 9, 2004**
- (30) **Foreign Application Priority Data**

- Oct. 9, 2003 (JP) ..... 2003-029878
- (51) **LOC (8) Cl.** ..... **23-01**
- (52) **U.S. Cl.** ..... **D23/262**
- (58) **Field of Search** ..... D23/259, 262;  
285/146.1, 261

(56) **References Cited**

**U.S. PATENT DOCUMENTS**

- 1,187,642 A \* 6/1916 Milz ..... 285/261
- 4,739,801 A \* 4/1988 Kimura et al. .... 138/120
- 5,449,206 A \* 9/1995 Lockwood ..... 285/261
- 6,648,376 B2 \* 11/2003 Christianson ..... 285/146.1
- 6,846,022 B2 \* 1/2005 Takagi ..... 285/146.1
- 6,854,768 B2 \* 2/2005 Elder ..... 285/146.1

\* cited by examiner

*Primary Examiner*—Robin V. Taylor  
(74) *Attorney, Agent, or Firm*—Christensen O'Connor Johnson Kindness PLLC

(57) **CLAIM**

The ornamental design for a water spray nozzle link, as shown and described.

**DESCRIPTION**

The present design relates to a link of a water spray nozzle for use in gardening and cleaning.

FIG. 1 is a perspective view of a water spray nozzle link of the present design;

FIG. 2 is a front (or back) view of the water spray nozzle link of FIG. 1;

FIG. 3 is a left-hand side (or right-hand side) view of the water spray nozzle link of FIG. 1;

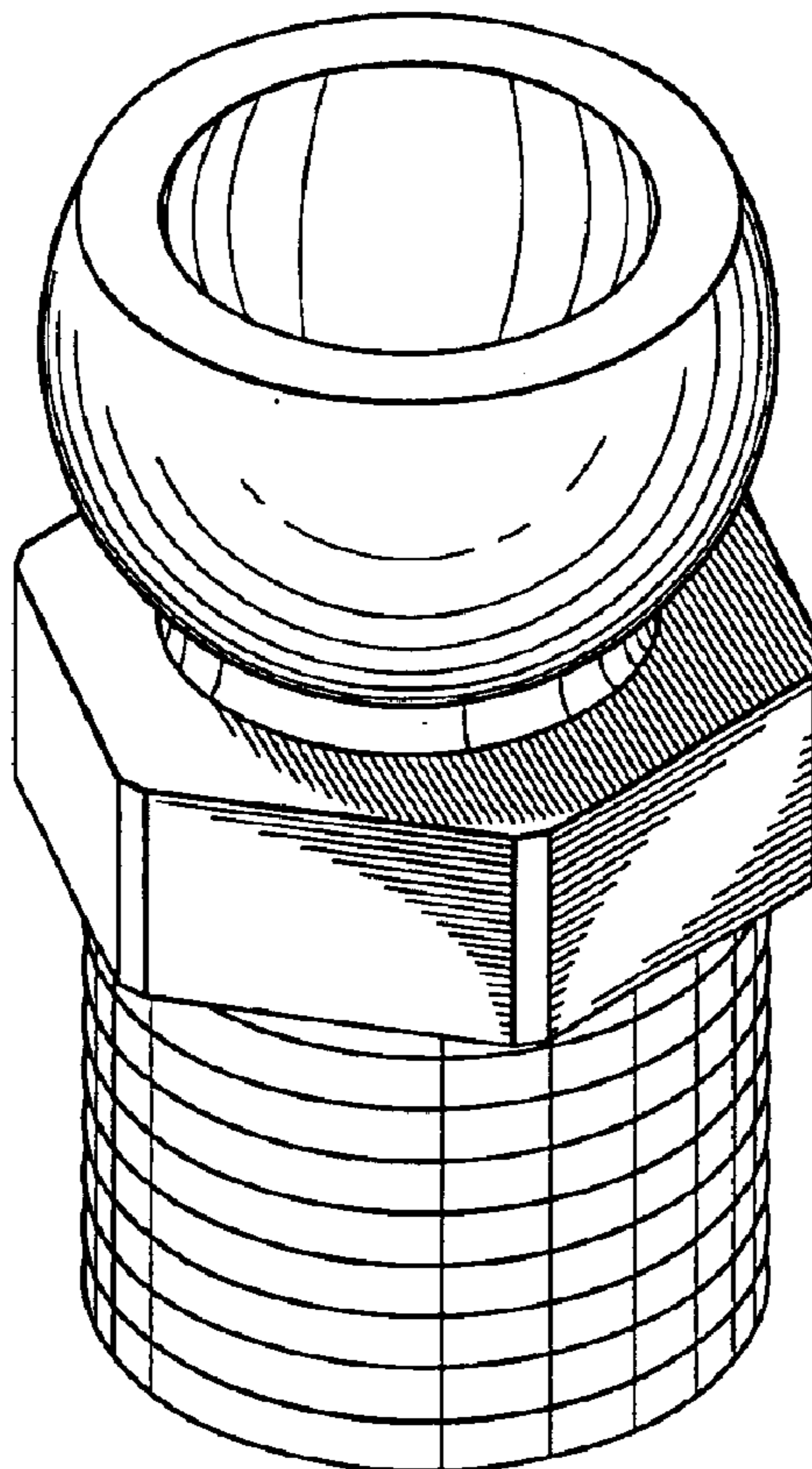
FIG. 4 is a top view of the water spray nozzle link of FIG. 1;

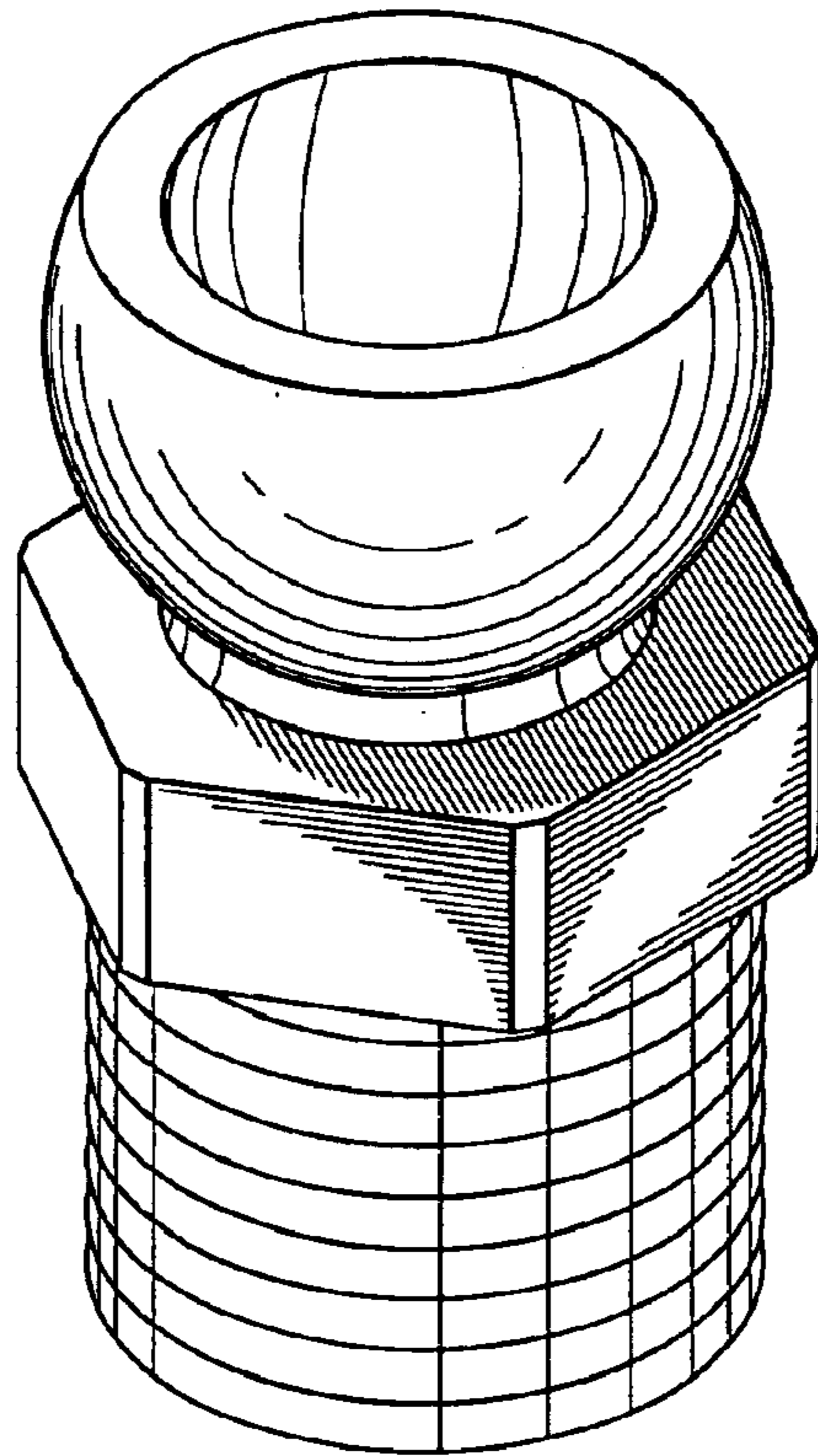
FIG. 5 is a bottom view of the water spray nozzle link of FIG. 1; and,

FIG. 6 is a front view of a water spray nozzle incorporating the water spray nozzle link of the present design of FIGS. 1-5.

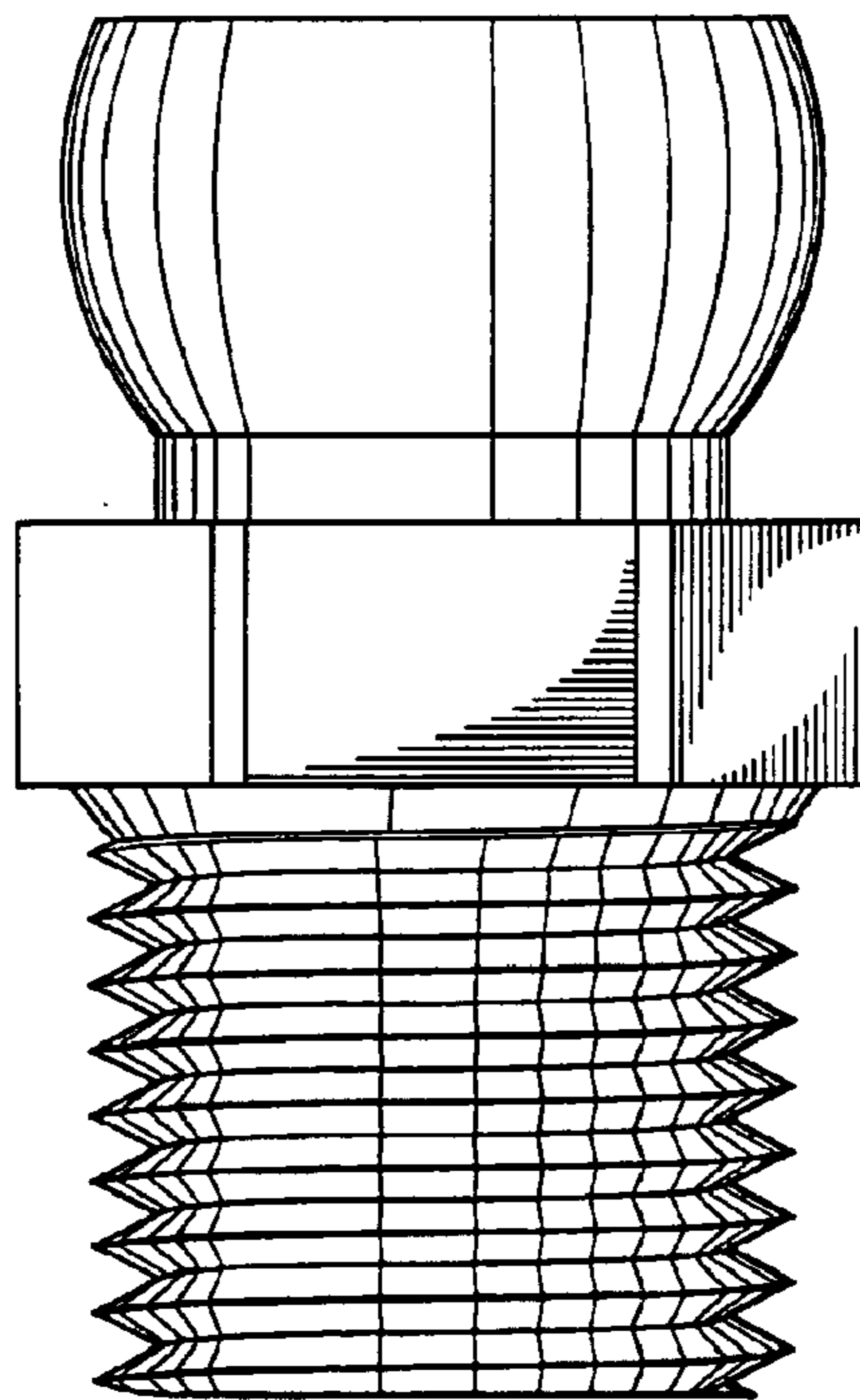
In FIG. 6, elements shown in broken lines provide an environmental structure in which the water spray nozzle link of the present design is used, and do not form part of the claimed design.

**1 Claim, 3 Drawing Sheets**

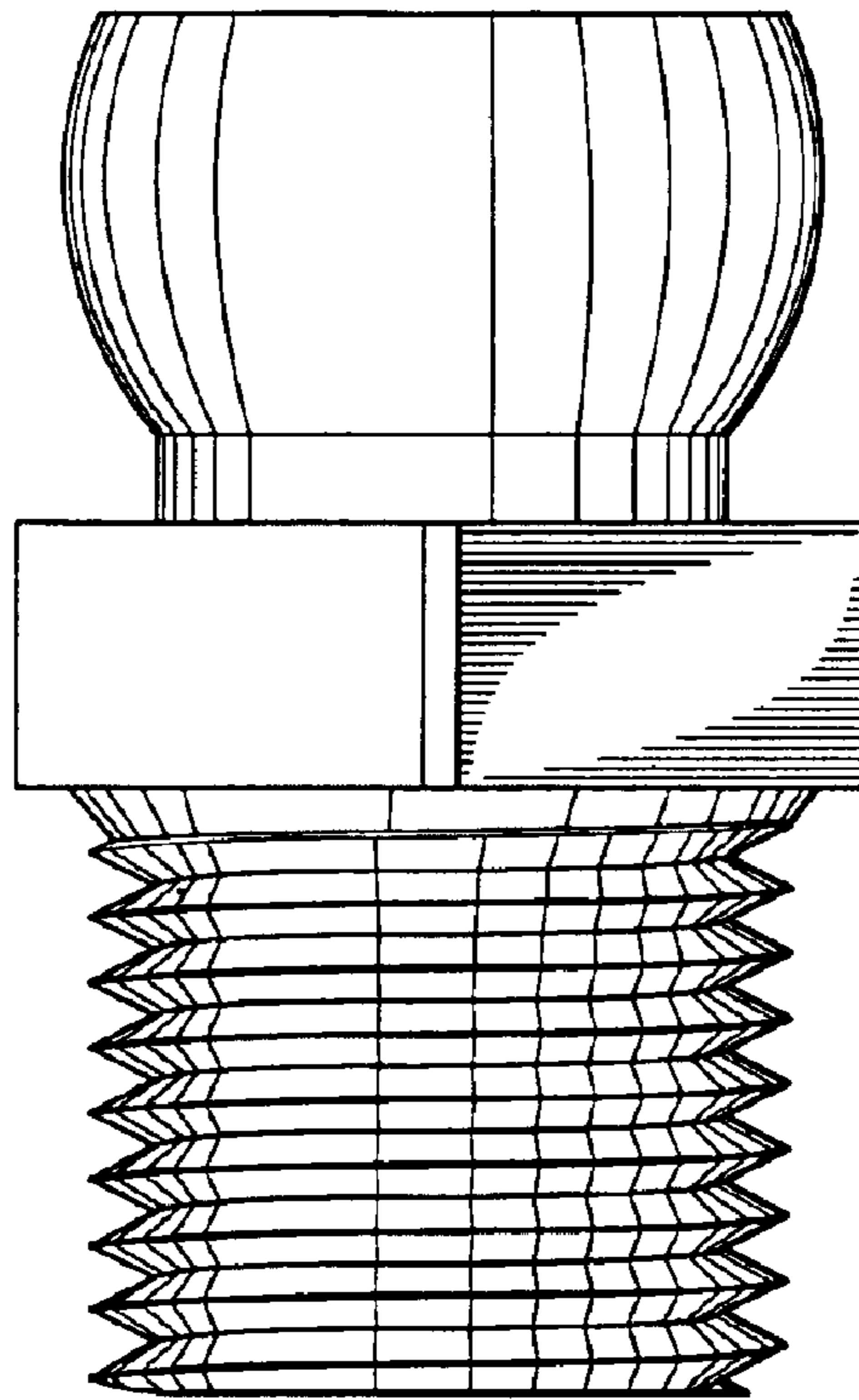




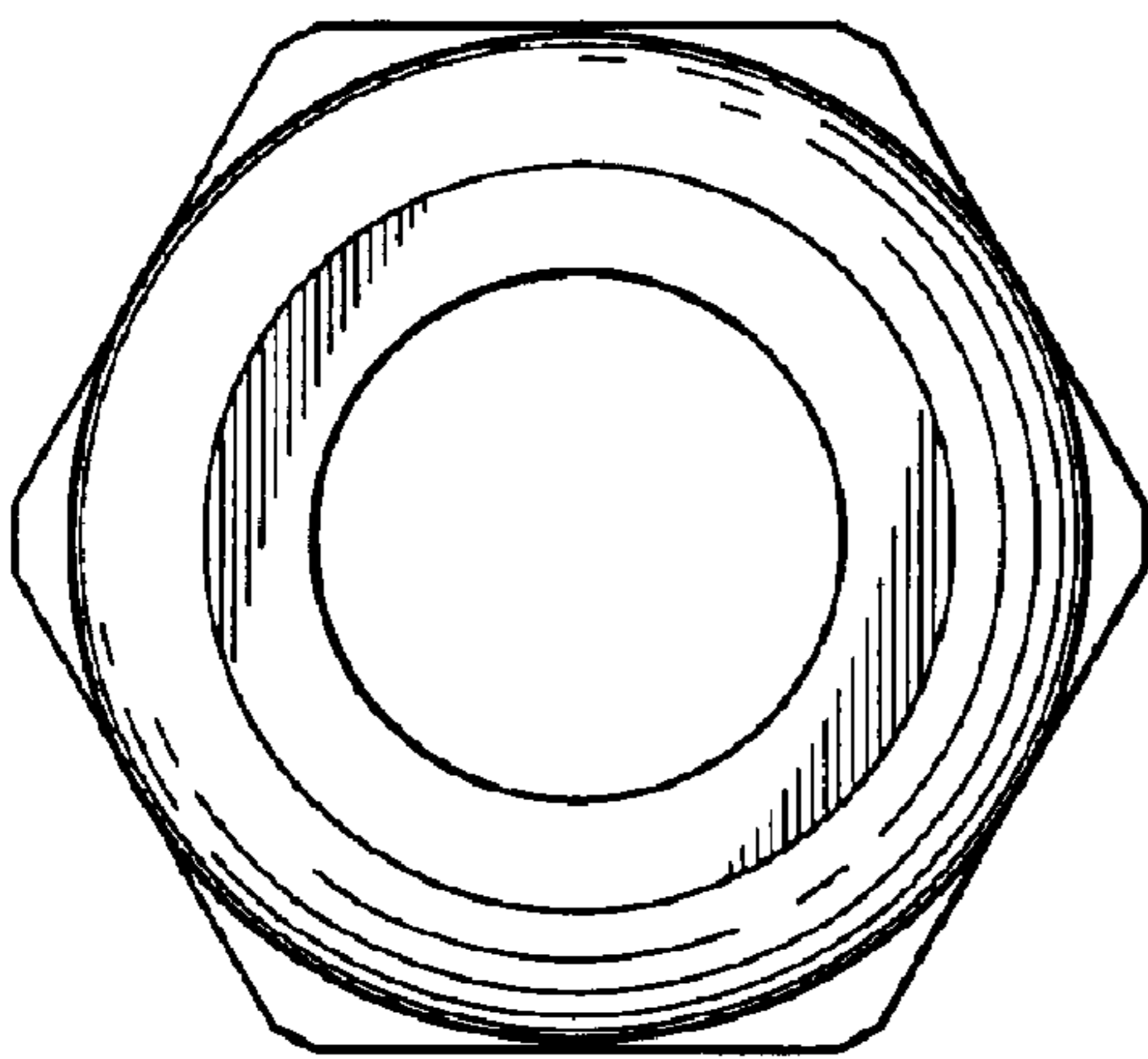
*Fig. 1.*



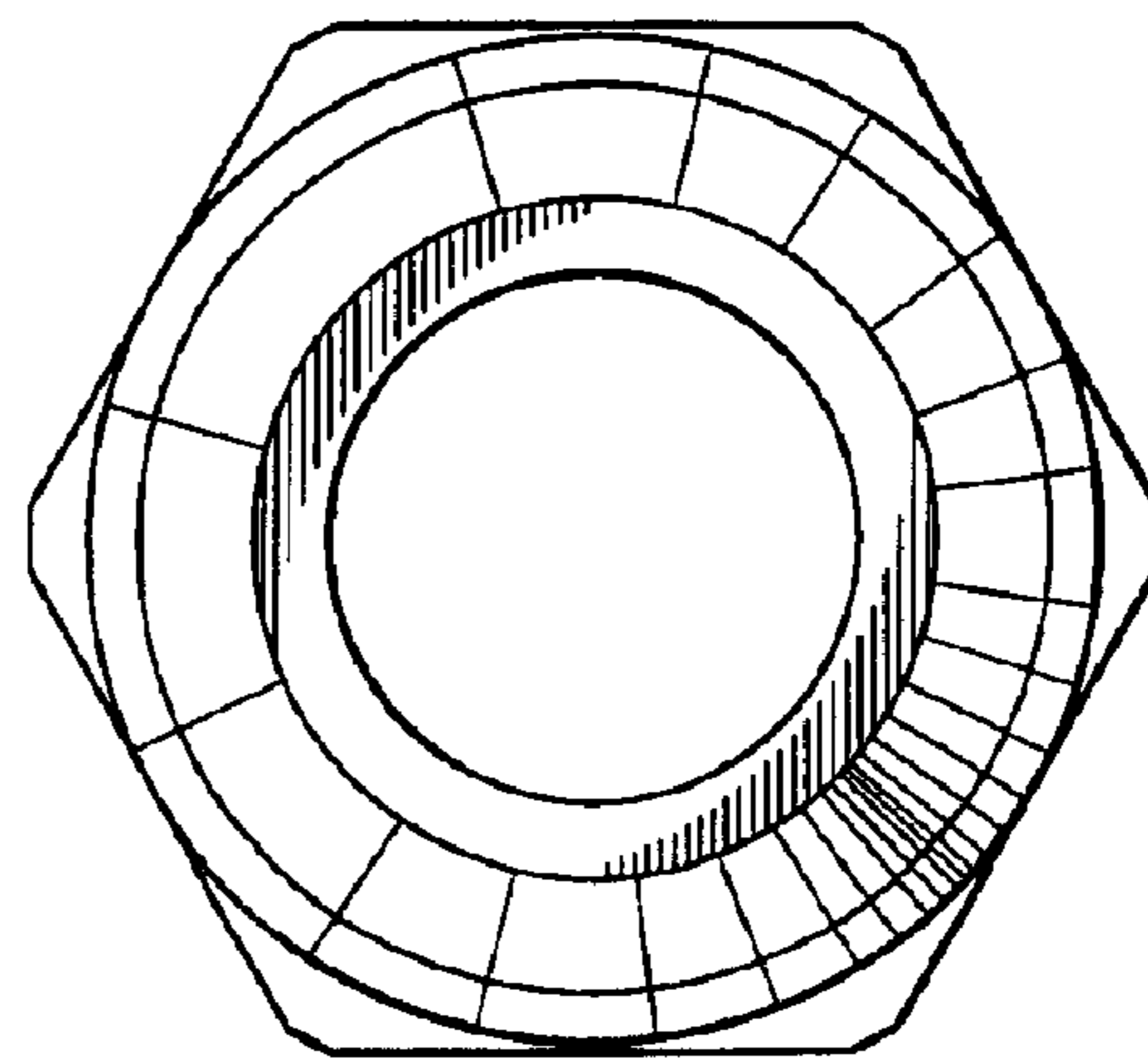
*Fig. 2.*



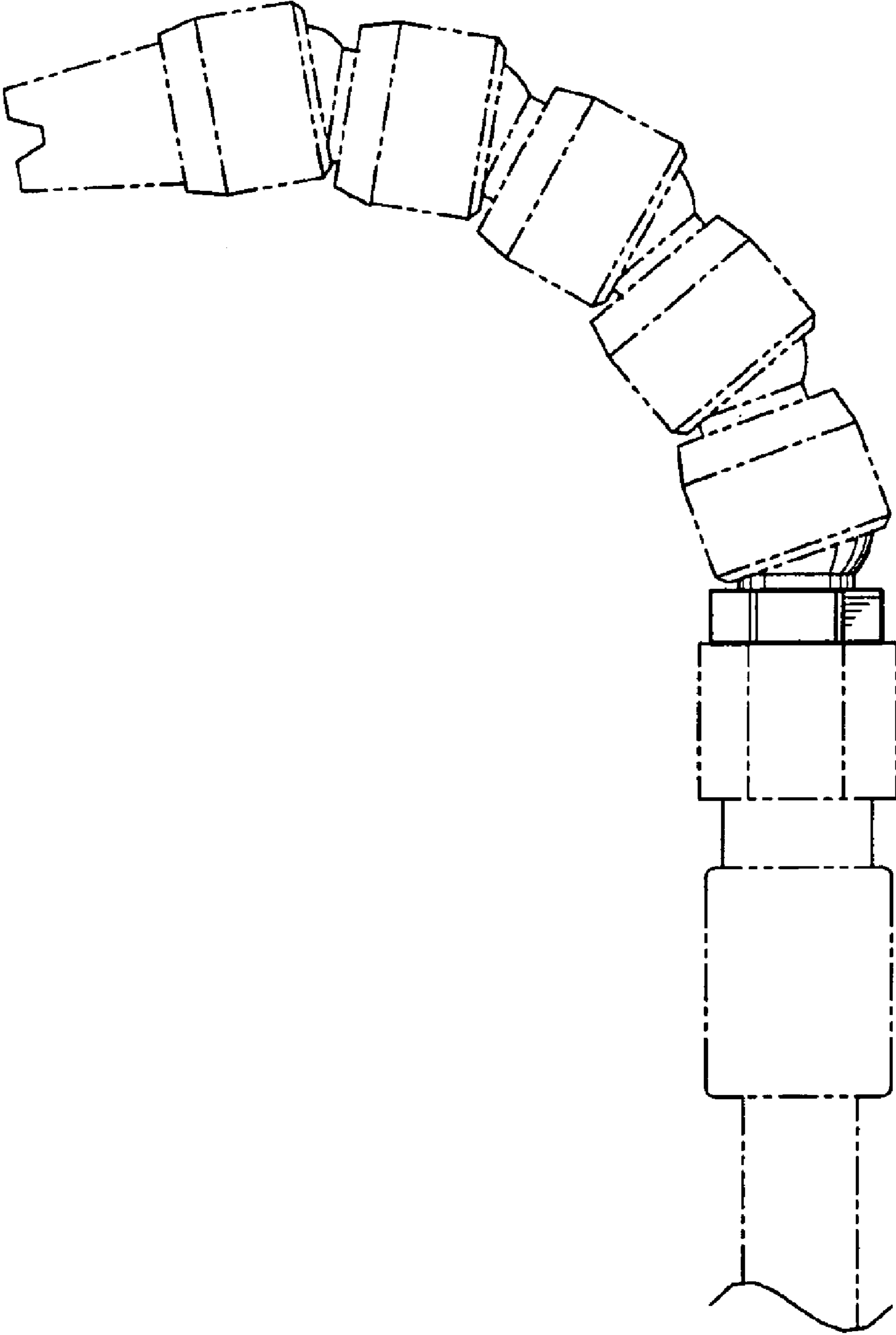
*Fig. 3.*



*Fig. 4.*



*Fig. 5.*



*Fig. 6.*