



US00D510127S

(12) **United States Design Patent**
Spangler

(10) **Patent No.:** **US D510,127 S**

(45) **Date of Patent:** **** Sep. 27, 2005**

(54) **FAUCET**

(75) **Inventor:** **Anthony G. Spangler**, Greensburg, IN (US)

(73) **Assignee:** **Masco Corporation of Indiana**, Indianapolis, IN (US)

(**) **Term:** **14 Years**

(21) **Appl. No.:** **29/191,211**

(22) **Filed:** **Oct. 2, 2003**

(51) **LOC (8) Cl.** **23-01**

(52) **U.S. Cl.** **D23/241; D23/242**

(58) **Field of Search** **D23/238-257;**
4/675-678; 137/801

(56) **References Cited**

U.S. PATENT DOCUMENTS

D285,597 S	*	9/1986	Miller et al.	D23/242
D293,362 S	*	12/1987	Hill et al.	D23/241
D406,876 S	*	3/1999	Ko	D23/241
D420,102 S	*	2/2000	Warshawsky et al.	D23/241

D467,646 S	*	12/2002	Panis et al.	D23/242
D487,921 S	*	3/2004	Spiegelberg et al.	D23/241
D496,434 S	*	9/2004	Spangler	D23/252

* cited by examiner

Primary Examiner—Louis S. Zarfaz

Assistant Examiner—Gregory Andoll

(74) *Attorney, Agent, or Firm*—Kwadjo Adusei-Poku; Lloyd D. Doigan

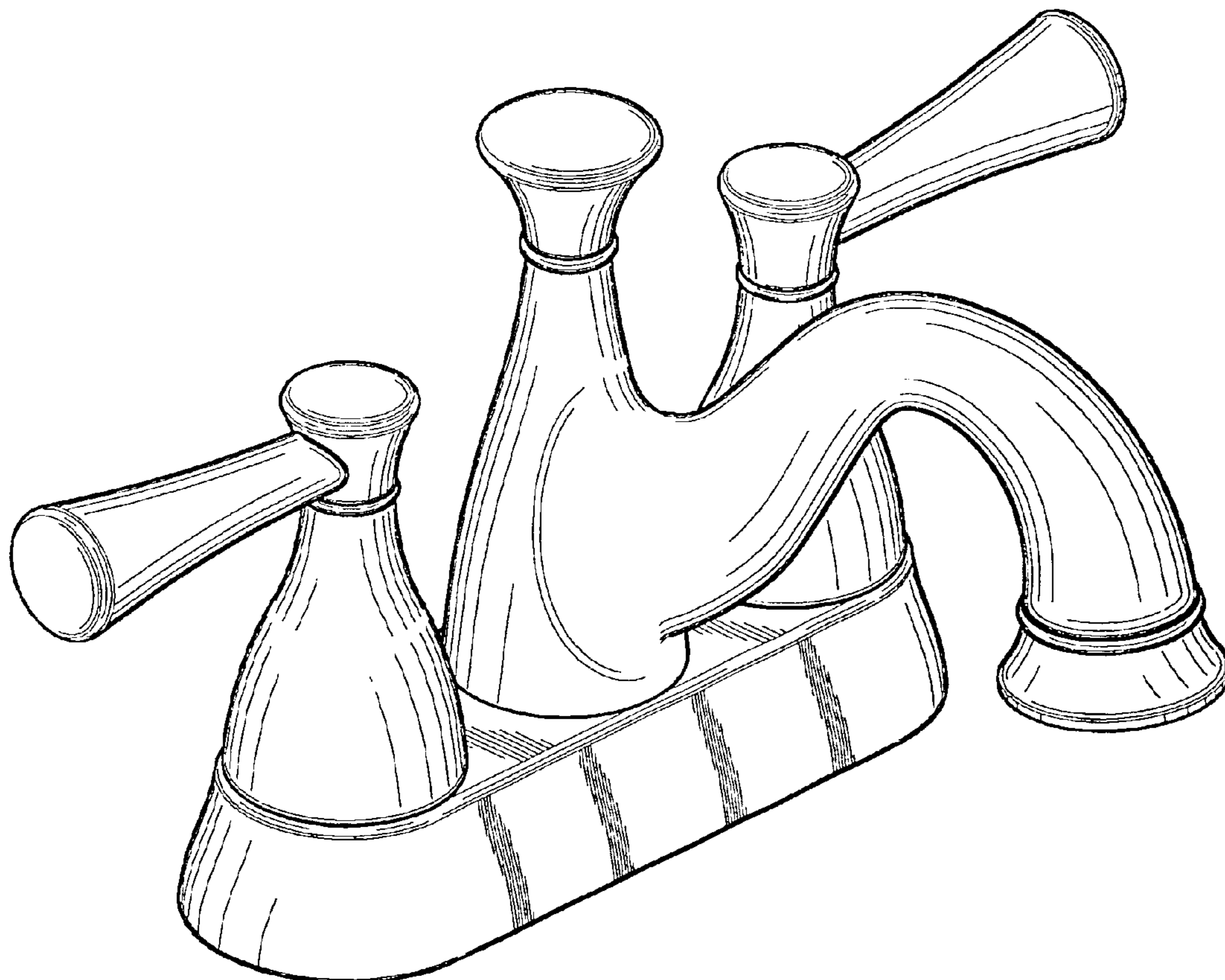
(57) **CLAIM**

The ornamental design for a faucet, as shown and described.

DESCRIPTION

FIG. 1 is a front perspective view of a faucet showing my new design;
 FIG. 2 is a rear perspective view thereof;
 FIG. 3 is a top plan view thereof;
 FIG. 4 is a left side elevational view thereof;
 FIG. 5 is a right side elevational view thereof;
 FIG. 6 is a front elevational view thereof; and,
 FIG. 7 is a rear elevational view thereof.

1 Claim, 7 Drawing Sheets



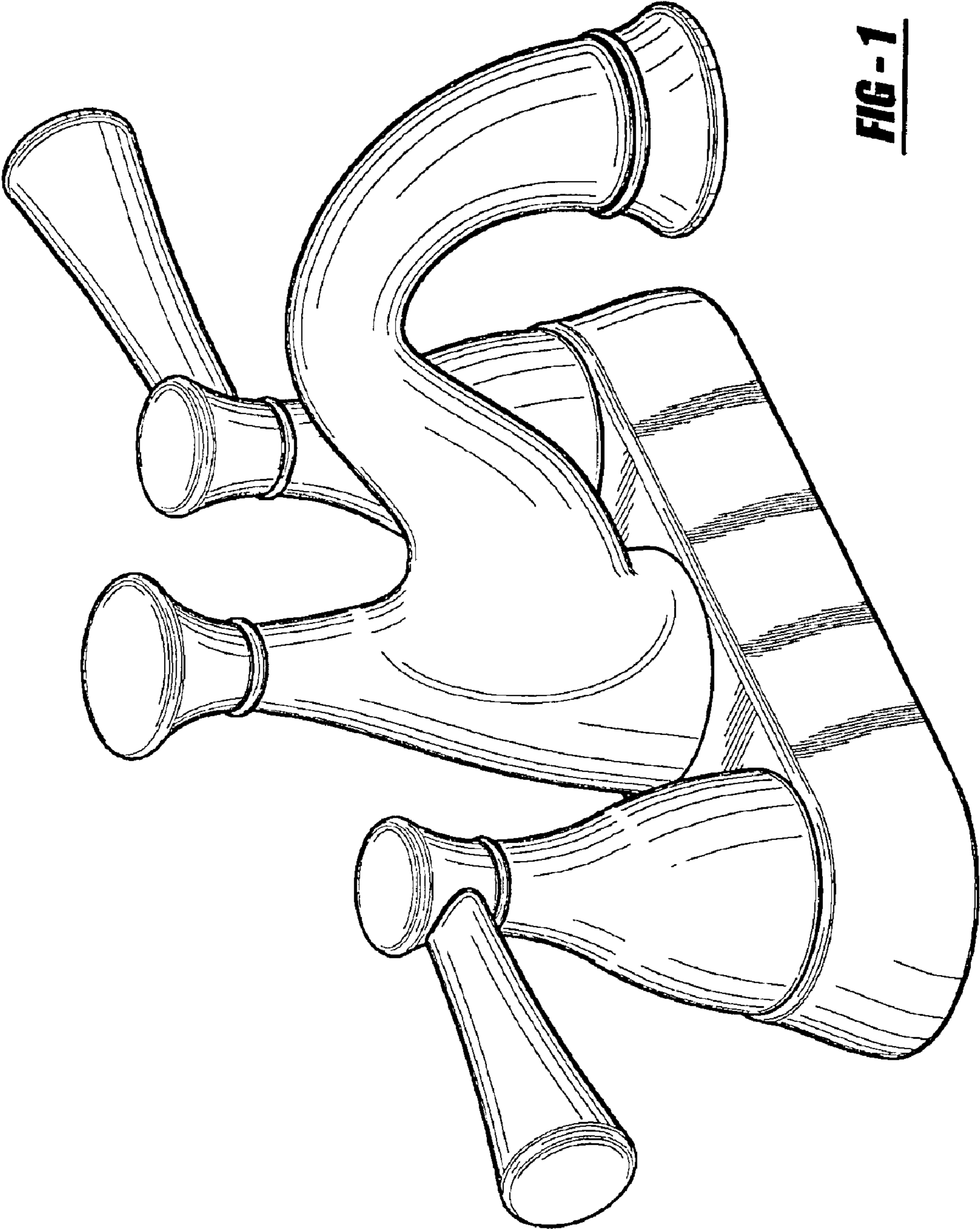
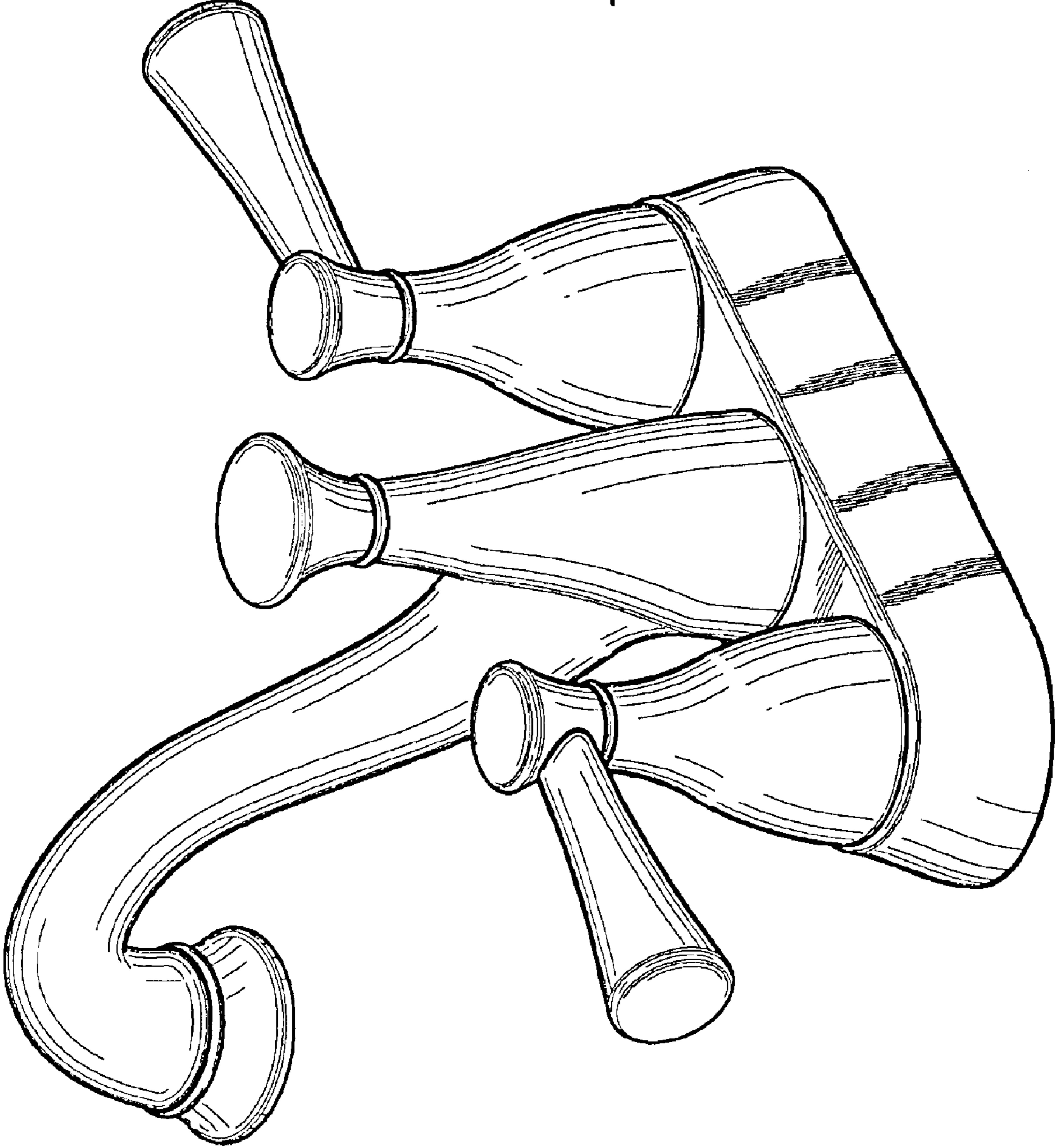


FIG-1

FIG - 2



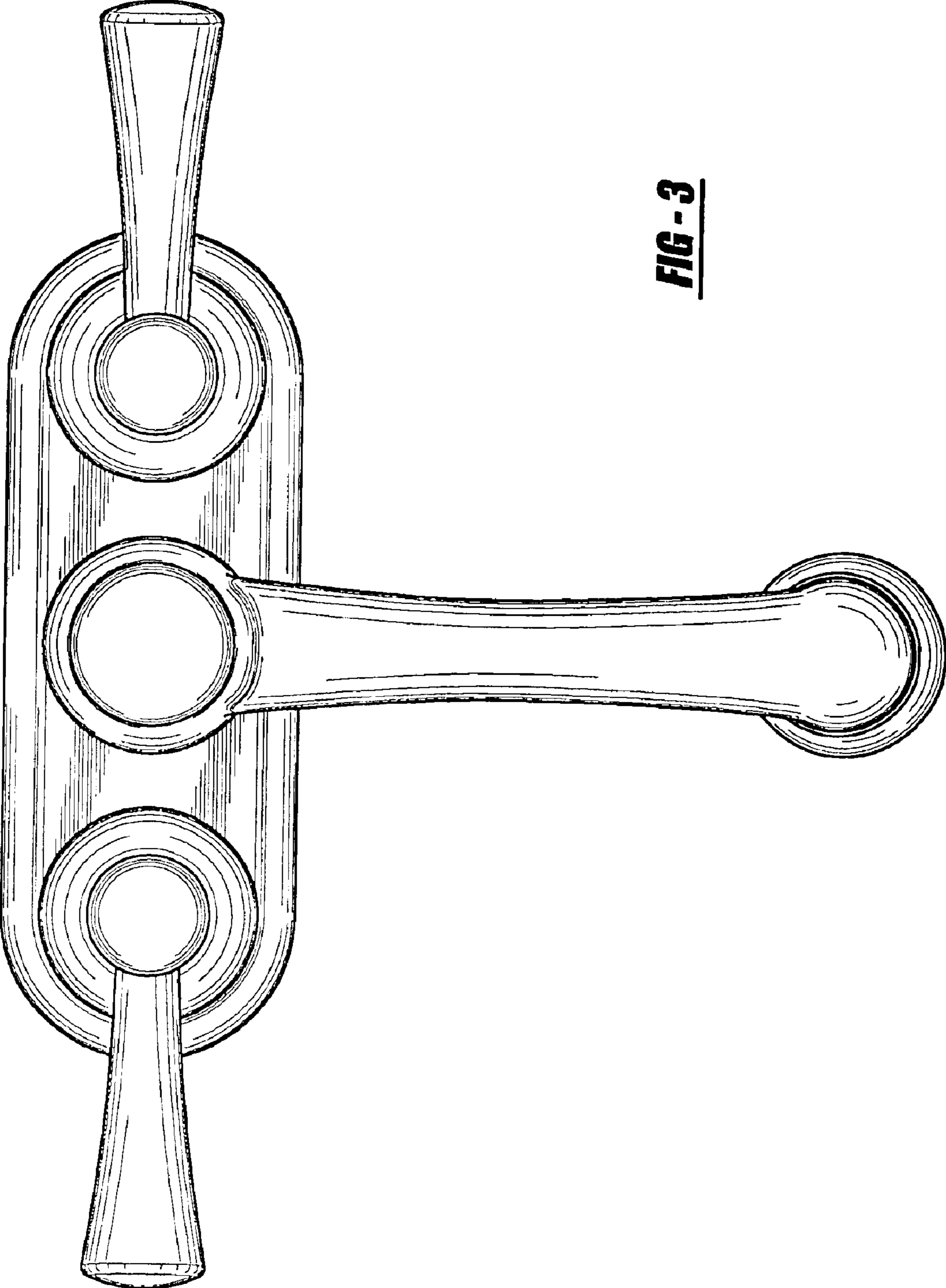


FIG - 3

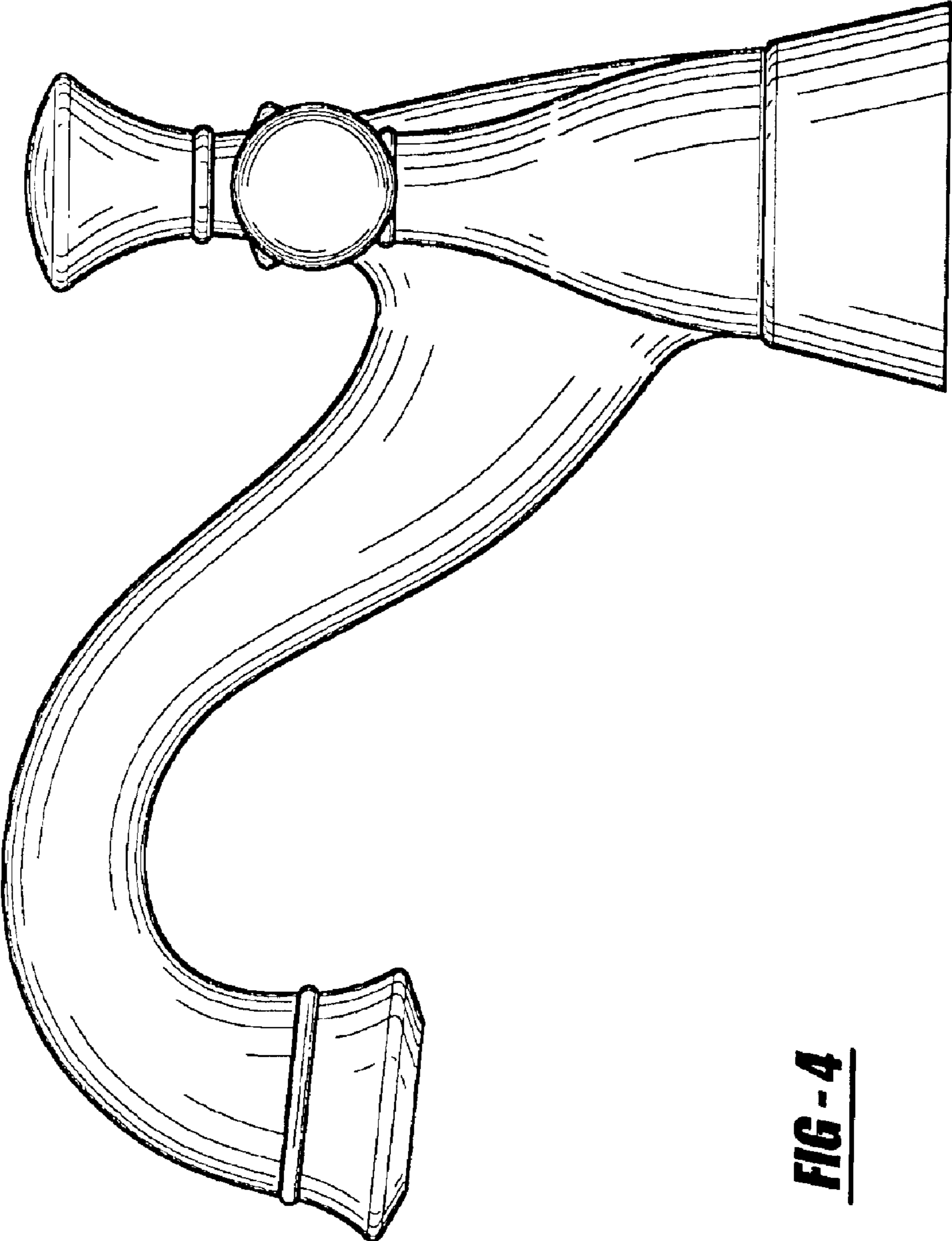


FIG - 4

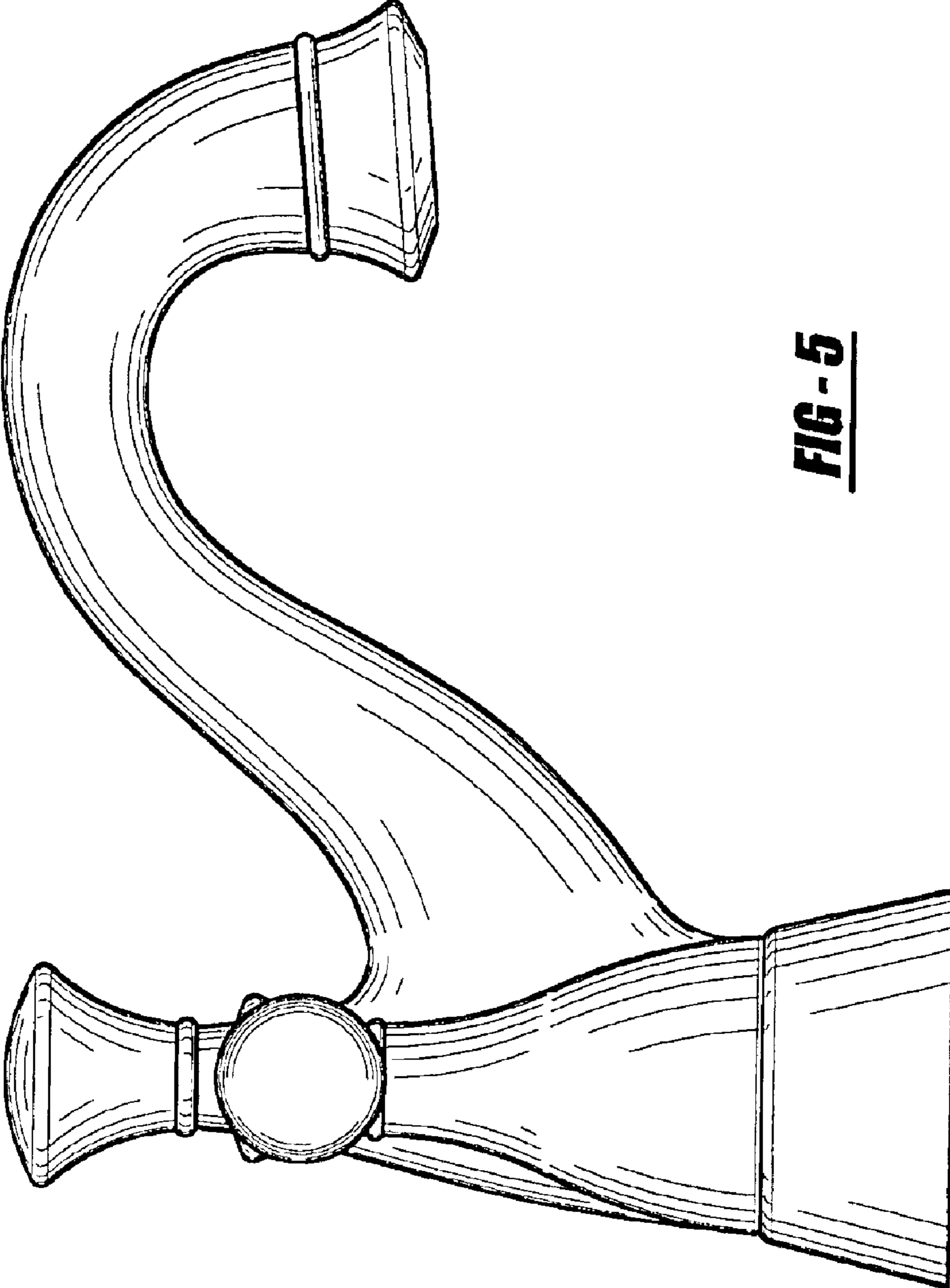


FIG - 5

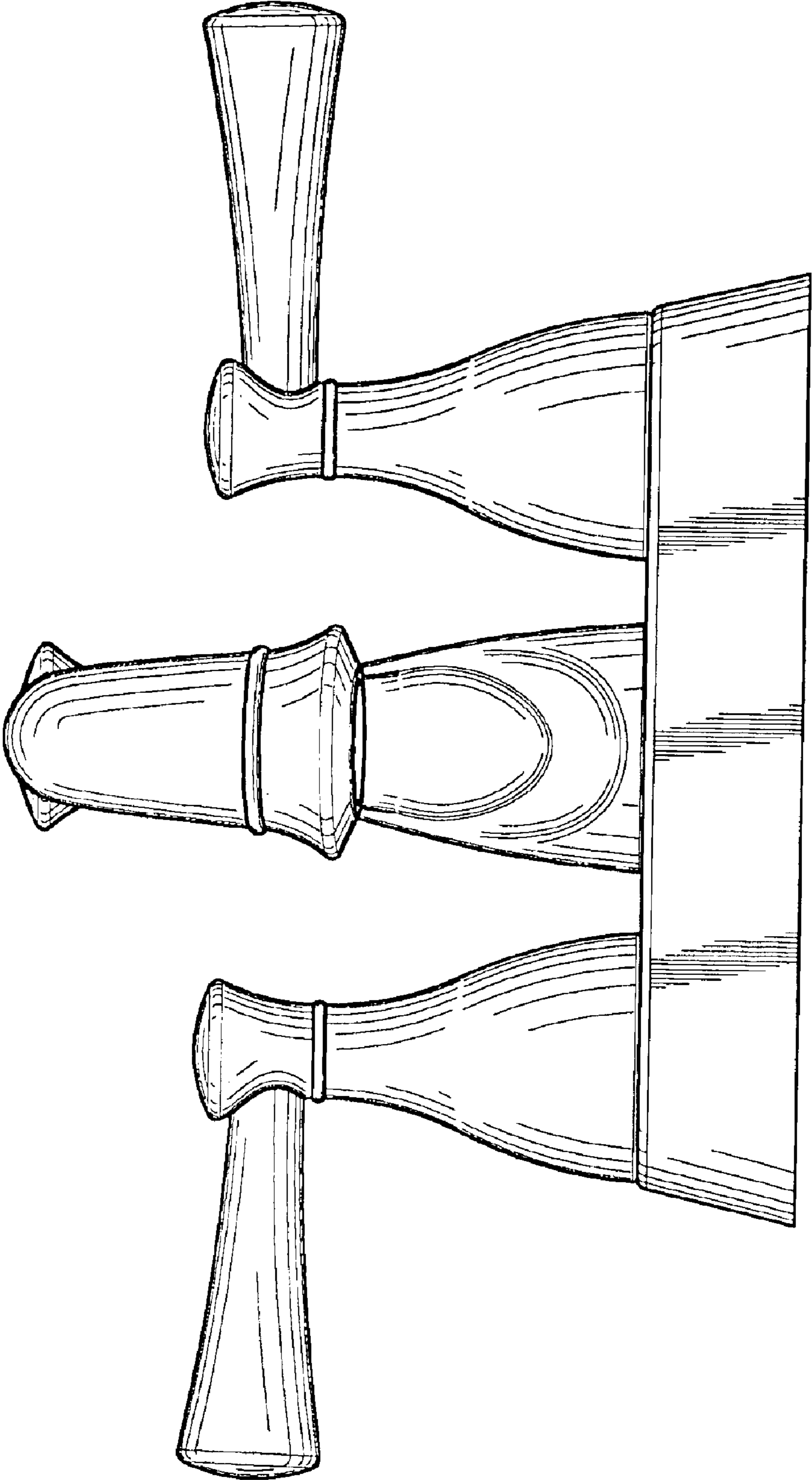


FIG - 6

FIG - 7

