



US00D510125S

(12) **United States Design Patent**  
**Messier et al.**

(10) **Patent No.: US D510,125 S**  
(45) **Date of Patent: \*\* Sep. 27, 2005**

(54) **FAUCET**

(75) Inventors: **Patrick Messier**, Montreal (CA);  
**Laurent Descamps**, Montreal (CA)

(73) Assignee: **Messier Designers Inc.**, Montreal (CA)

(\*\*) Term: **14 Years**

(21) Appl. No.: **29/192,420**

(22) Filed: **Oct. 24, 2003**

(30) **Foreign Application Priority Data**

Jun. 13, 2003 (CA) ..... 103235  
Jun. 16, 2003 (CA) ..... 103236  
Jun. 16, 2003 (CA) ..... 103428

(51) **LOC (8) Cl. .... 23-01**

(52) **U.S. Cl. .... D23/238; D23/255**

(58) **Field of Search .... D23/238-257;**  
**4/675-678; 137/801**

(56) **References Cited**

**U.S. PATENT DOCUMENTS**

D213,193 S \* 1/1969 Martin ..... D23/241  
D318,904 S \* 8/1991 Hartkopf ..... D23/252

D326,505 S \* 5/1992 Kohler et al. .... D23/255  
D350,183 S \* 8/1994 Joerger ..... D23/242  
D441,060 S \* 4/2001 Lefroy-Brooks ..... D23/255  
D464,402 S \* 10/2002 Saraya ..... D23/238

\* cited by examiner

*Primary Examiner*—Louis S. Zarfes

*Assistant Examiner*—Gregory Andoll

(74) *Attorney, Agent, or Firm*—Goudreau Gage Dubuc;  
Michel Sofia

(57) **CLAIM**

The ornamental design for a “faucet”, as shown and described.

**DESCRIPTION**

FIG. 1 is a perspective view of the faucet showing our new design;

FIG. 2 is another perspective view thereof;

FIG. 3 is a top plan view thereof;

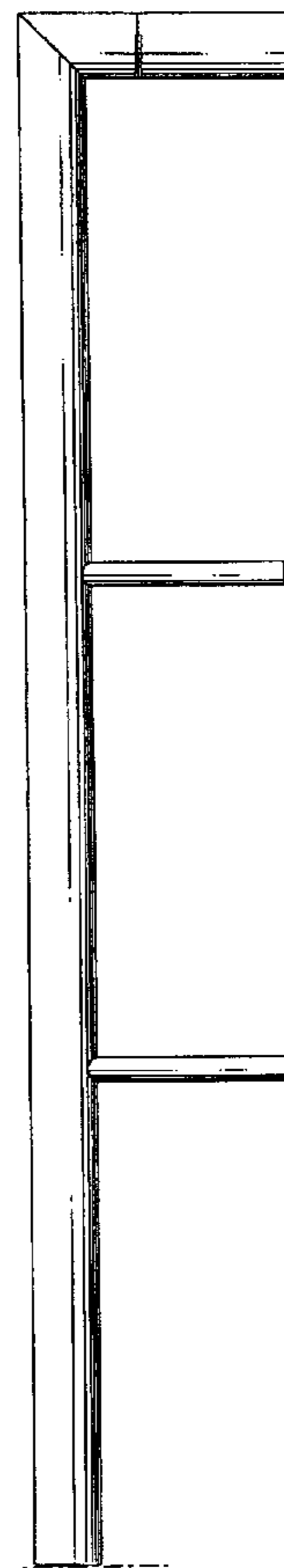
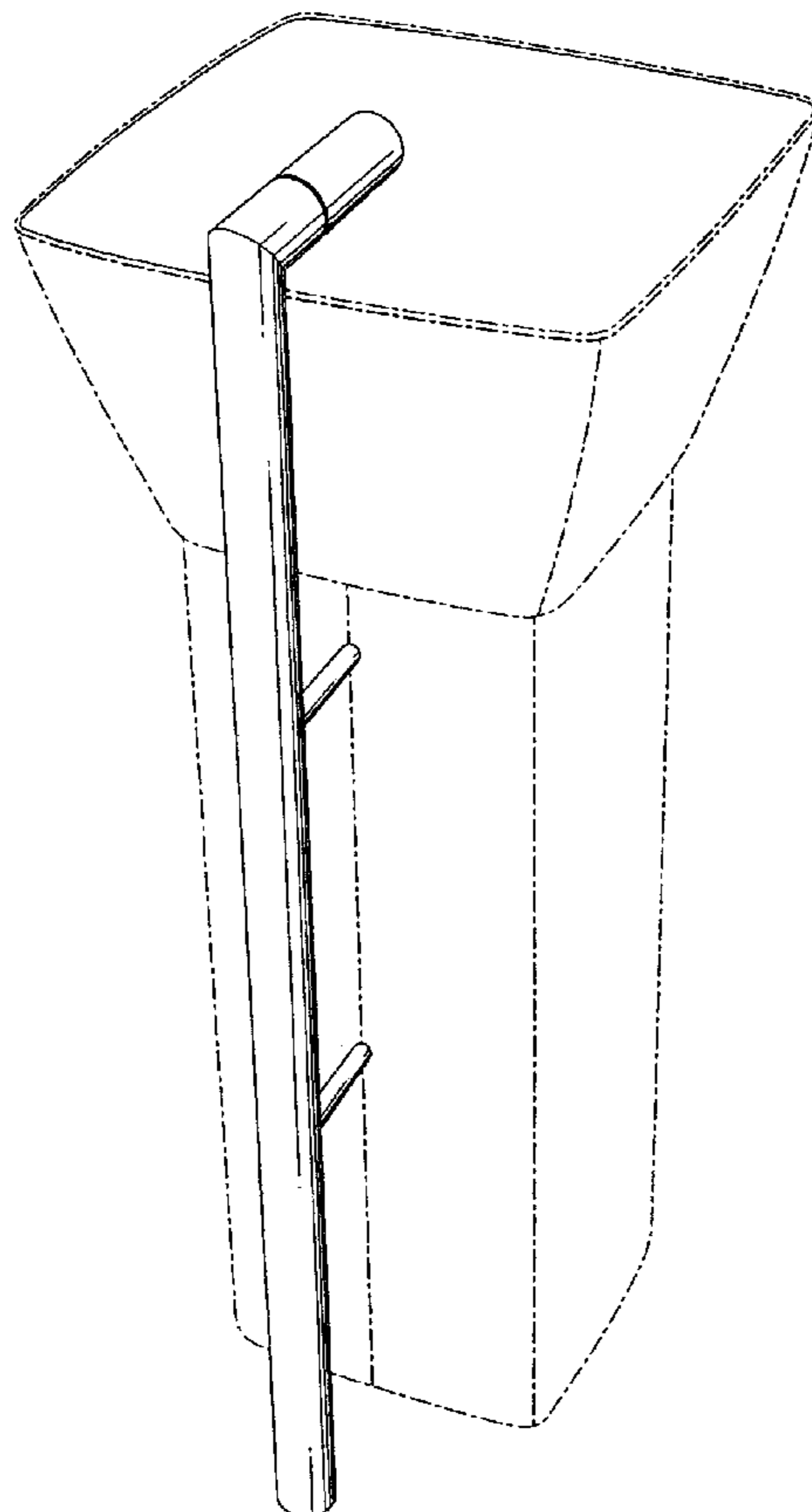
FIG. 4 is a left side elevational view thereof;

FIG. 5 is a front elevational view thereof; and,

FIG. 6 is a right side elevational view thereof.

The dashed lines in the drawings are shown for environmental purposes and form no part of the claimed design.

**1 Claim, 3 Drawing Sheets**



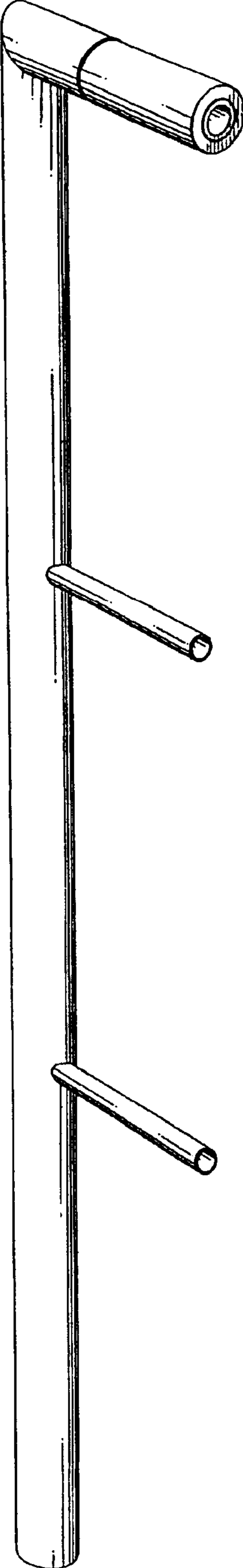


Fig-1

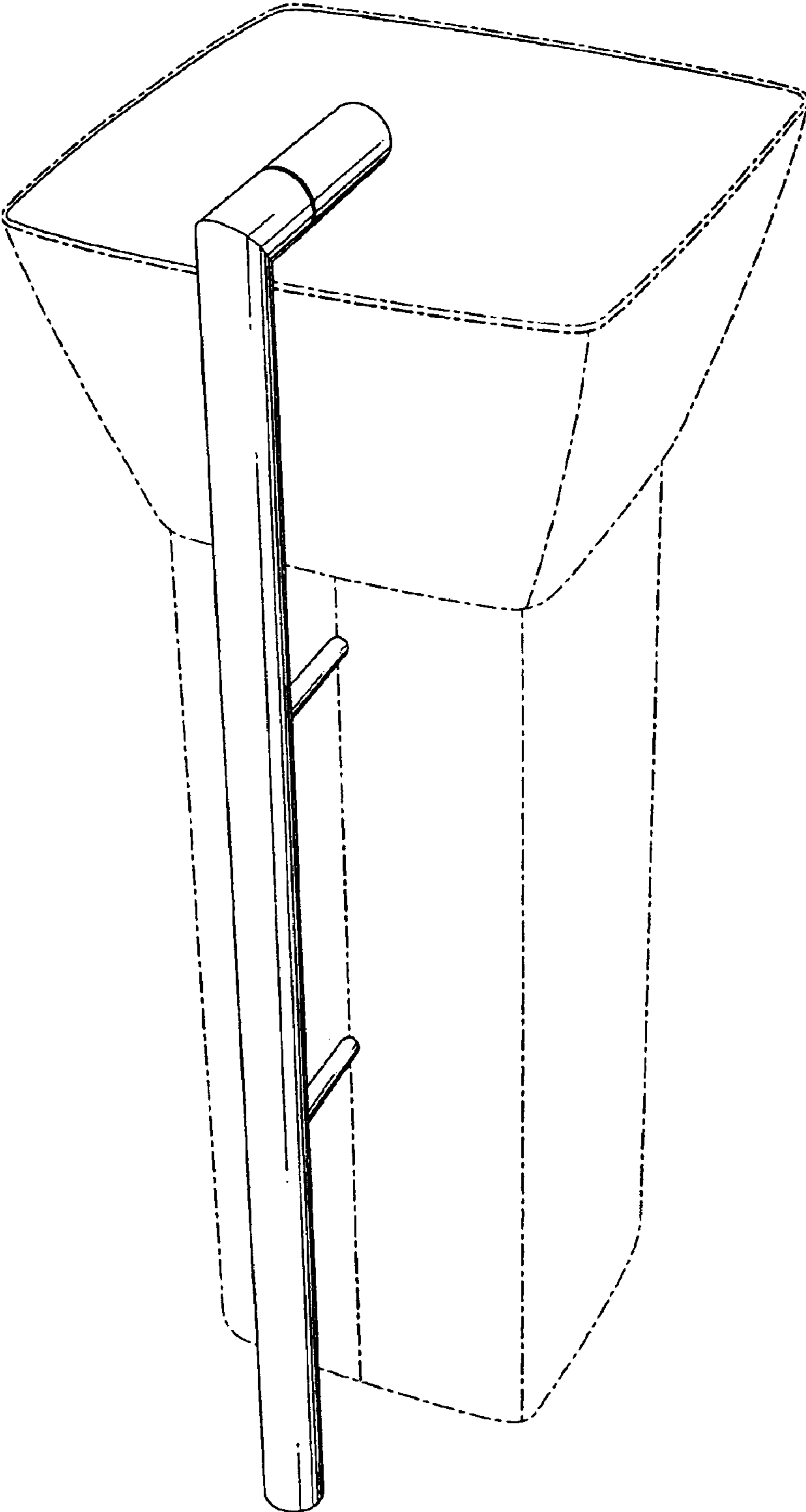
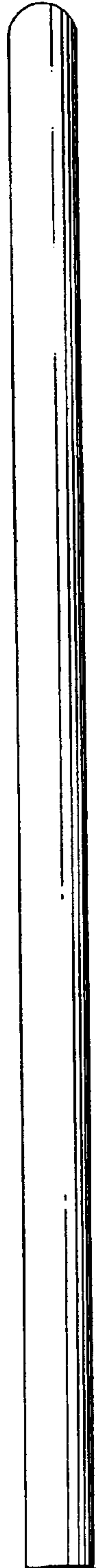


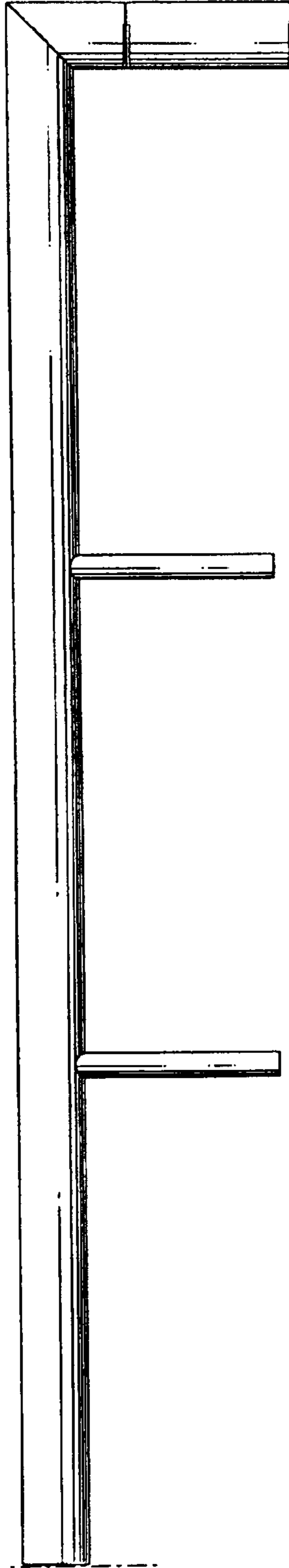
Fig-2



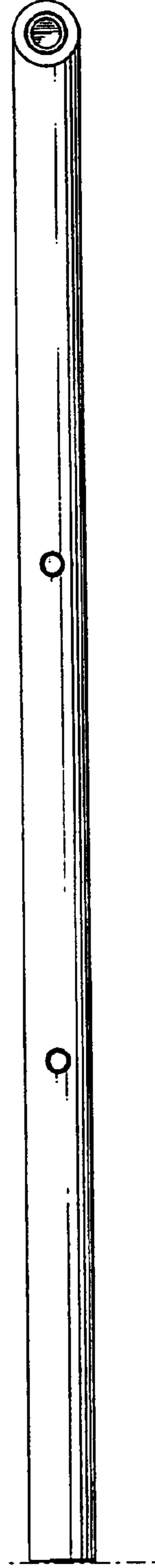
*Fig-3*



*Fig-4*



*Fig-5*



*Fig-6*