



US00D510118S

(12) **United States Design Patent**
Smith

(10) **Patent No.:** **US D510,118 S**
(45) **Date of Patent:** **** Sep. 27, 2005**

(54) **TENT HAVING INTEGRAL INFLATABLE SUPPORTING RIBS**

6,324,791 B1 * 12/2001 Azpiroz Villar 52/80.1
D482,423 S * 11/2003 Newsome D21/835

(76) Inventor: **Justin D. Smith**, 3115 Zircon La.,
Plymouth, MN (US) 55447

(**) Term: **14 Years**

(21) Appl. No.: **29/215,640**

(22) Filed: **Oct. 22, 2004**

(51) **LOC (8) Cl.** **21-04**

(52) **U.S. Cl.** **D21/834**

(58) **Field of Search** D21/834-839;
D25/13, 19, 26, 32, 56; 135/97, 115, 123-126,
143, 156, 900, 902; 446/487, 178

(56) **References Cited**

U.S. PATENT DOCUMENTS

3,055,379	A	9/1962	Fink	52/2.18
3,198,200	A	8/1965	Sanders	52/2.18
3,999,337	A	* 12/1976	Tomassetti et al.	52/82
4,148,332	A	* 4/1979	Huddle	135/123
4,332,112	A	6/1982	Hsu	52/2.21
4,631,873	A	12/1986	Parish	52/2.21
4,876,829	A	* 10/1989	Mattick	52/2.18
4,928,442	A	5/1990	Kroetch et al.	52/2.19
5,007,212	A	* 4/1991	Fritts et al.	52/2.18
D363,993	S	* 11/1995	Johnson et al.	D25/19
D405,494	S	* 2/1999	Vincent	D21/835

OTHER PUBLICATIONS

Inflatable Tent http://web.archive.org/web/20030720011647/http://creatableinflatables.com/inflatable_tents.htm (2 Pages).*

* cited by examiner

Primary Examiner—Holly Baynham

Assistant Examiner—Cynthia M. Chin

(74) *Attorney, Agent, or Firm*—Donald R. Schoonover

(57) **CLAIM**

I claim the ornamental design for a tent having integral inflatable supporting ribs, as shown and described.

DESCRIPTION

FIG. 1 is a perspective view of a tent having integral inflatable supporting ribs showing my new design showing an entry flap partially opened, all other views showing the entry flap closed;

FIG. 2 is a front elevational view thereof;

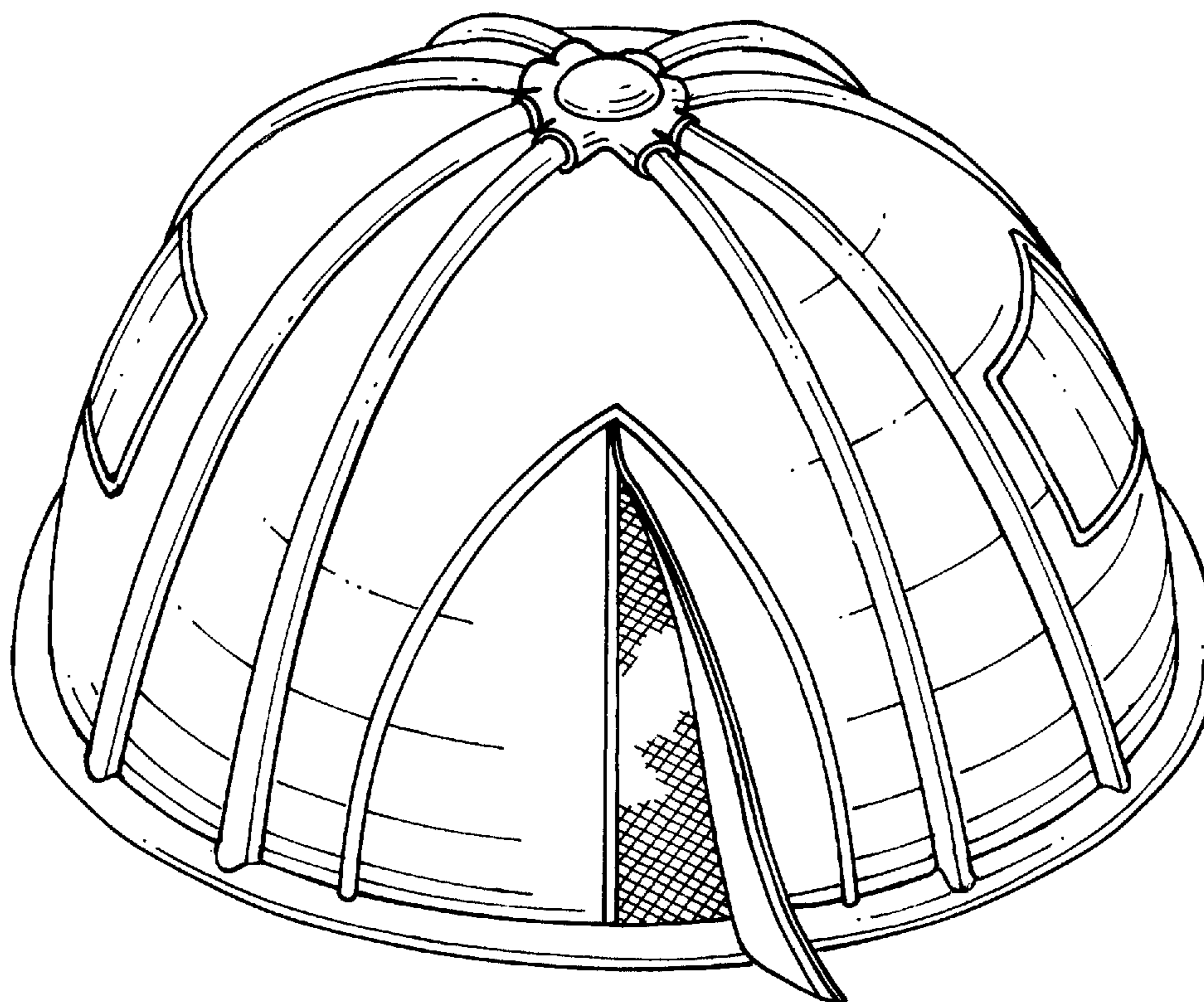
FIG. 3 is a rear elevational view thereof;

FIG. 4 is a left side elevational view thereof, the right side elevational view being a mirror image thereof;

FIG. 5 is a top plan view thereof; and,

FIG. 6 is a bottom plan view thereof.

1 Claim, 4 Drawing Sheets



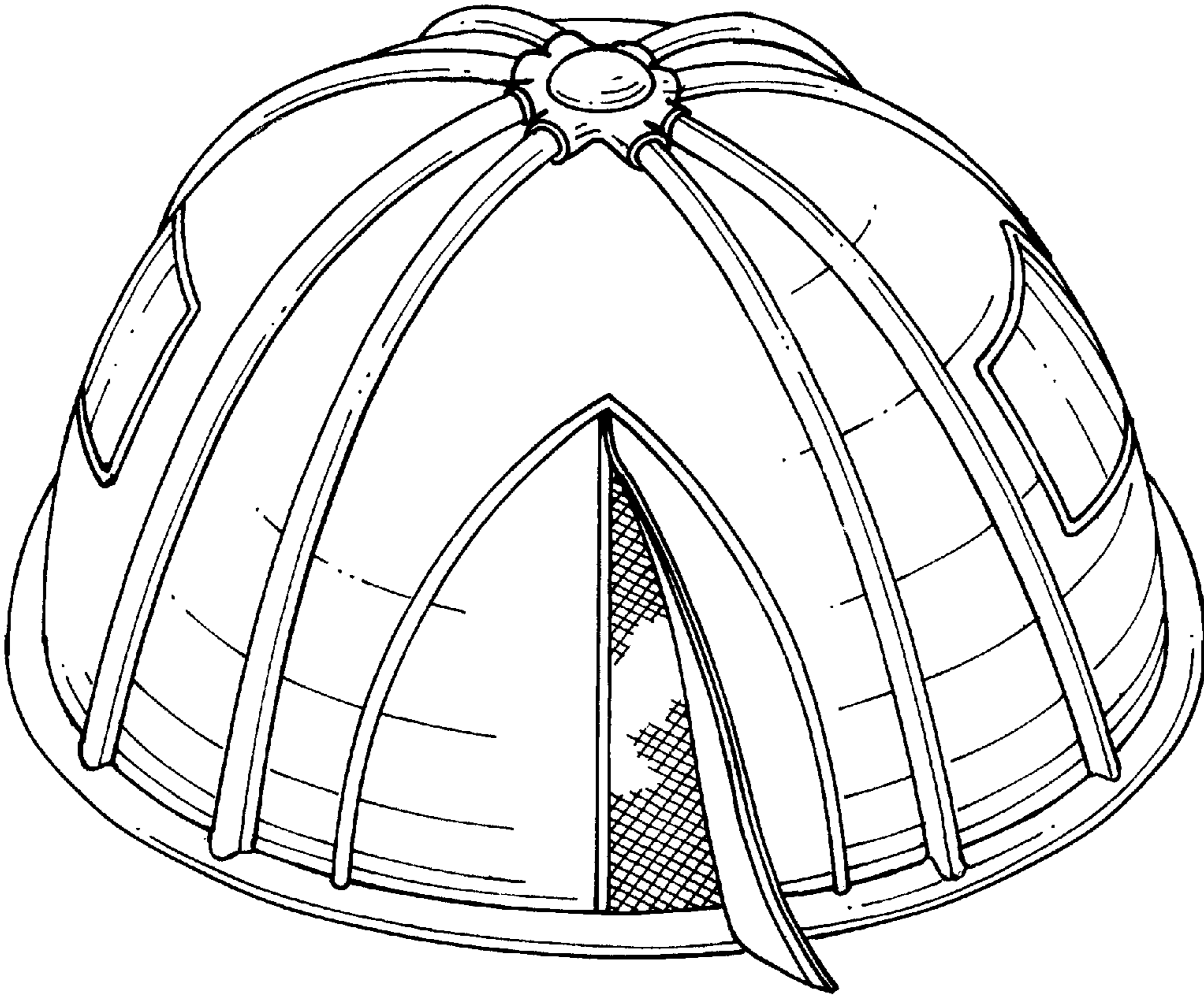


FIG.1.

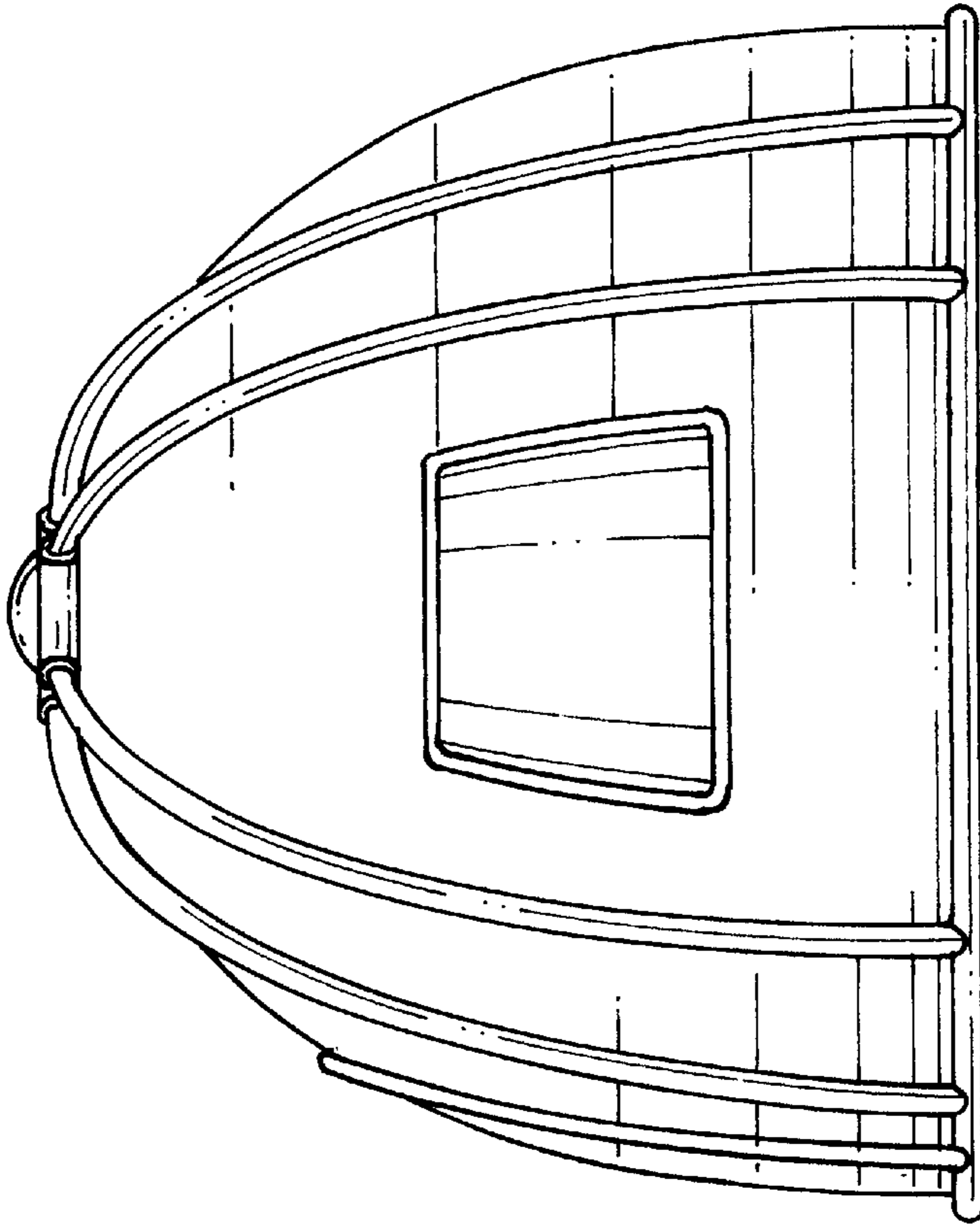


FIG. 4.

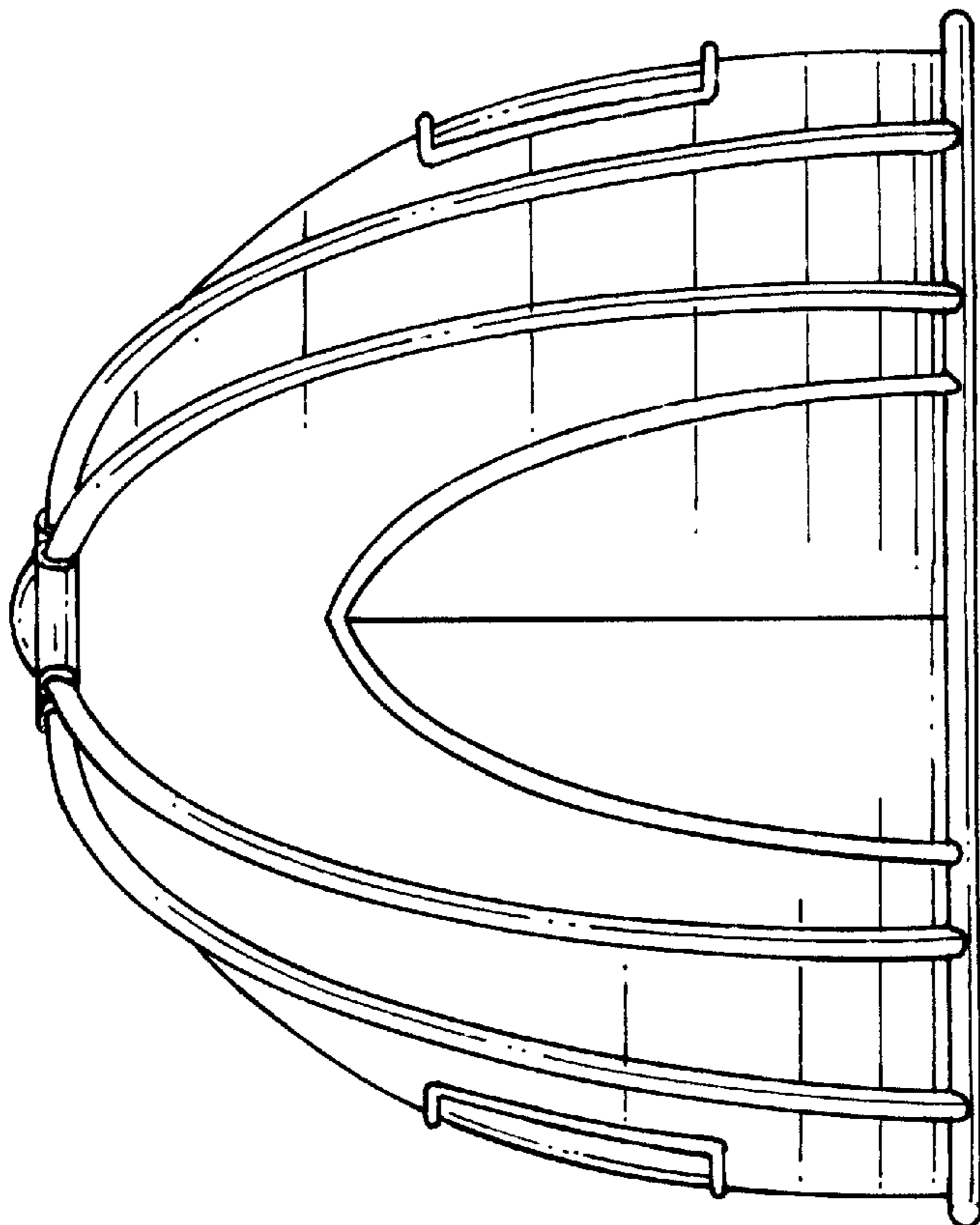


FIG. 2.

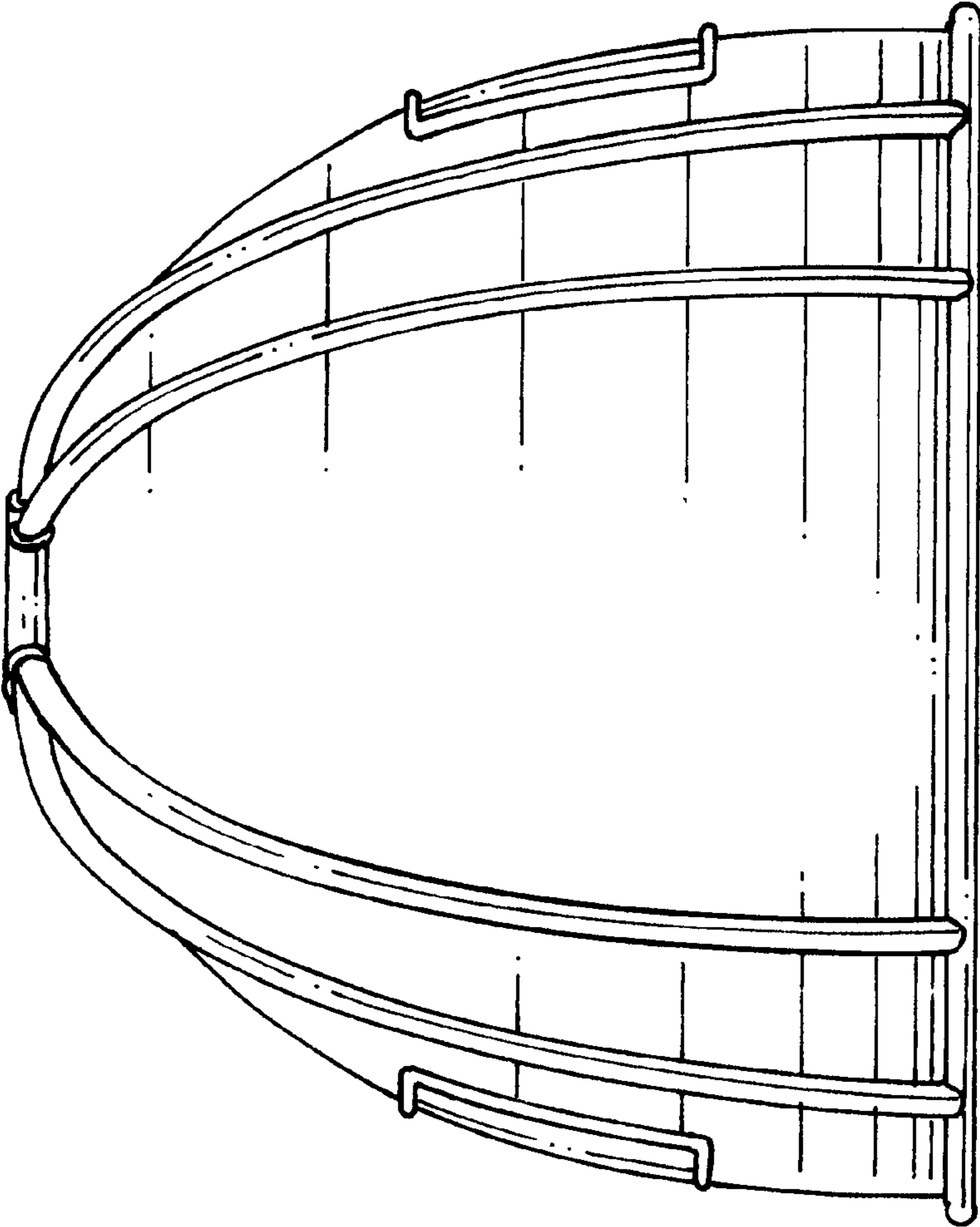


FIG. 3.

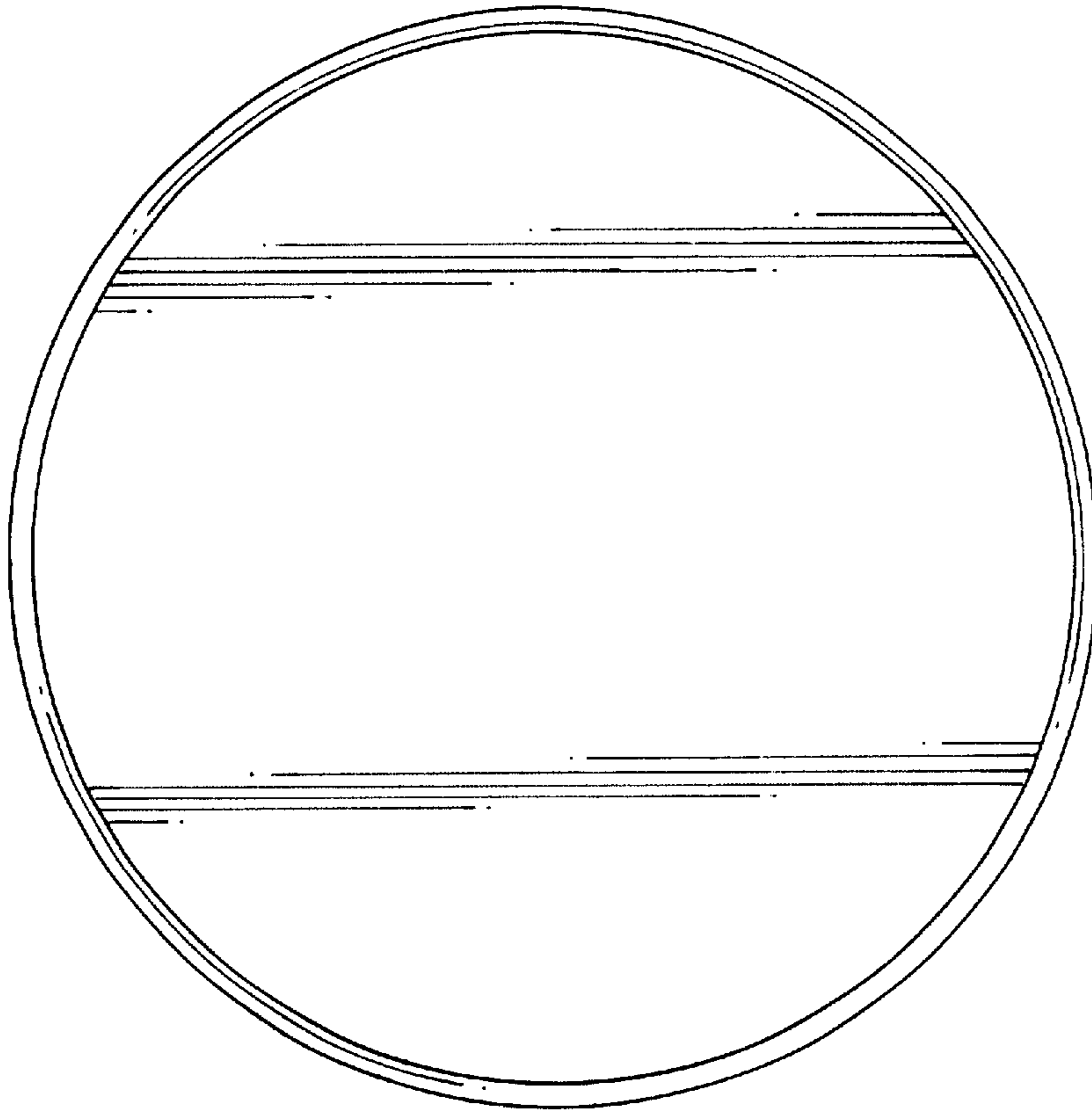


FIG. 6.

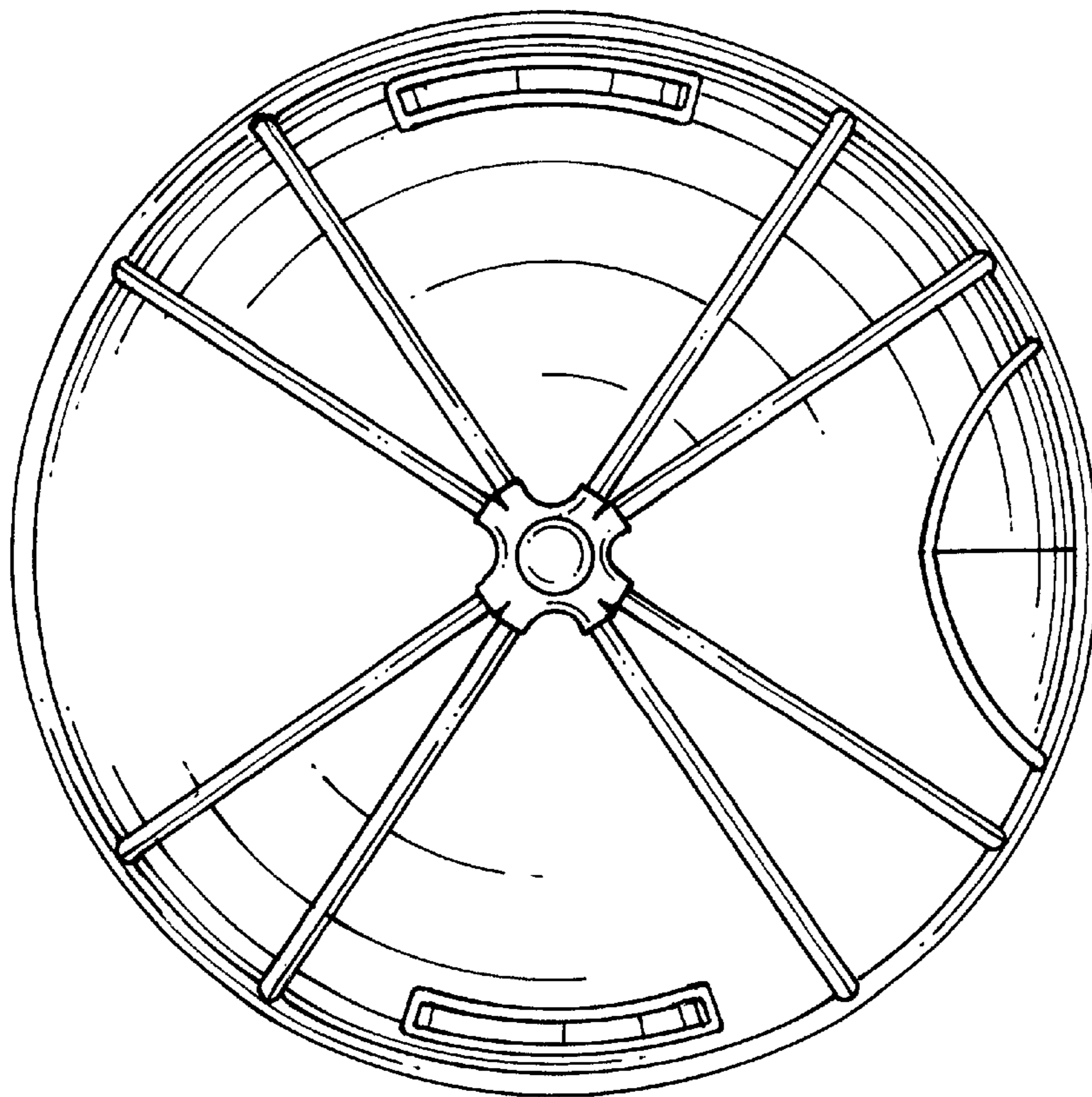


FIG. 5.