



US00D510114S

(12) **United States Design Patent**
Lizenbery

(10) **Patent No.: US D510,114 S**

(45) **Date of Patent: ** *Sep. 27, 2005**

(54) **GOLF PUTTER**

(76) **Inventor: Mark Lizenbery**, 760 Reed St., Santa Clara, CA (US) 95050

(*) **Notice:** This patent is subject to a terminal disclaimer.

(**) **Term: 14 Years**

(21) **Appl. No.: 29/171,293**

(22) **Filed: Nov. 19, 2002**

Related U.S. Application Data

(63) Continuation-in-part of application No. 29/150,603, filed on Nov. 14, 2001, now Pat. No. Des. 465,820.

(51) **LOC (8) Cl. 21-02**

(52) **U.S. Cl. D21/736**

(58) **Field of Search** D21/736-746,
D21/756, 757, 759; 473/324-331, 340,
251-256, 316-323

(56) **References Cited**

U.S. PATENT DOCUMENTS

D277,692 S * 2/1985 MacDougall D21/745

D377,067 S * 12/1996 Wiens et al. D21/745
D405,493 S * 2/1999 Lynch D21/757
D444,194 S * 6/2001 Calabro D21/738
D465,820 S * 11/2002 Lizenbery D21/738

* cited by examiner

Primary Examiner—Mitchell Siegel

(74) *Attorney, Agent, or Firm*—James J. Leary; Carol D. Titus

(57) **CLAIM**

The ornamental design for a golf putter, as shown.

DESCRIPTION

FIG. 1 is a perspective view of the golf putter;

FIG. 2 is a front view of the thereof;

FIG. 3 is a rear view thereof;

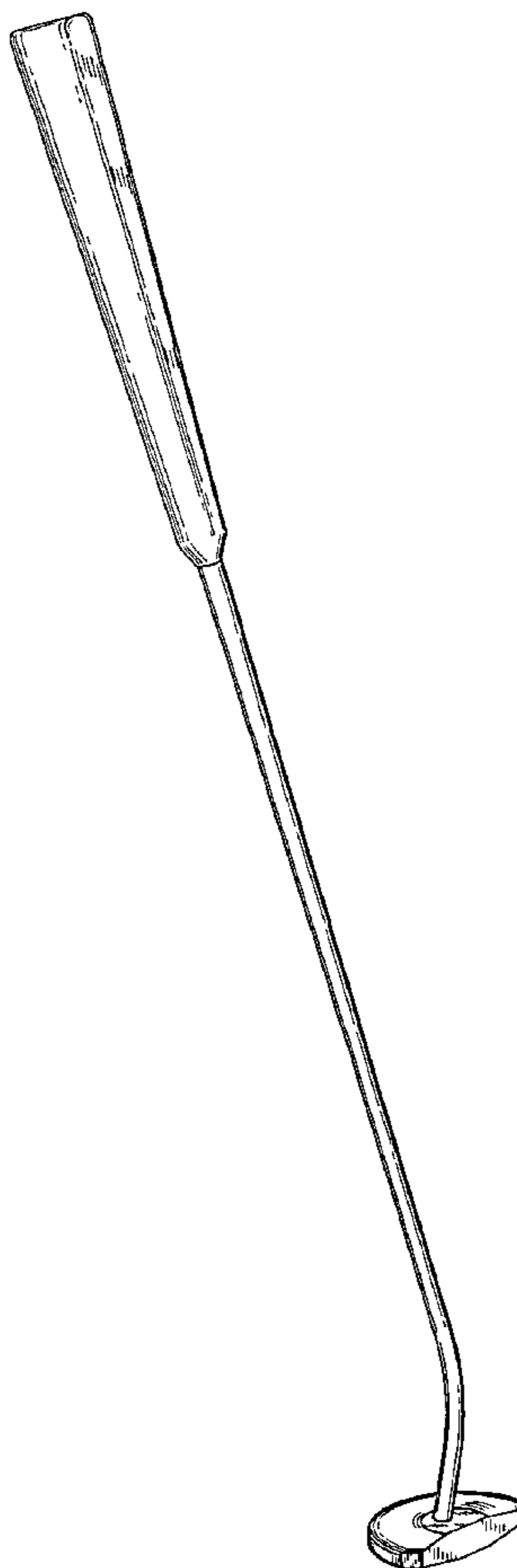
FIG. 4 is a top view thereof;

FIG. 5 is a bottom view thereof;

FIG. 6 is a left side view thereof; and,

FIG. 7 is a right side view thereof.

1 Claim, 5 Drawing Sheets



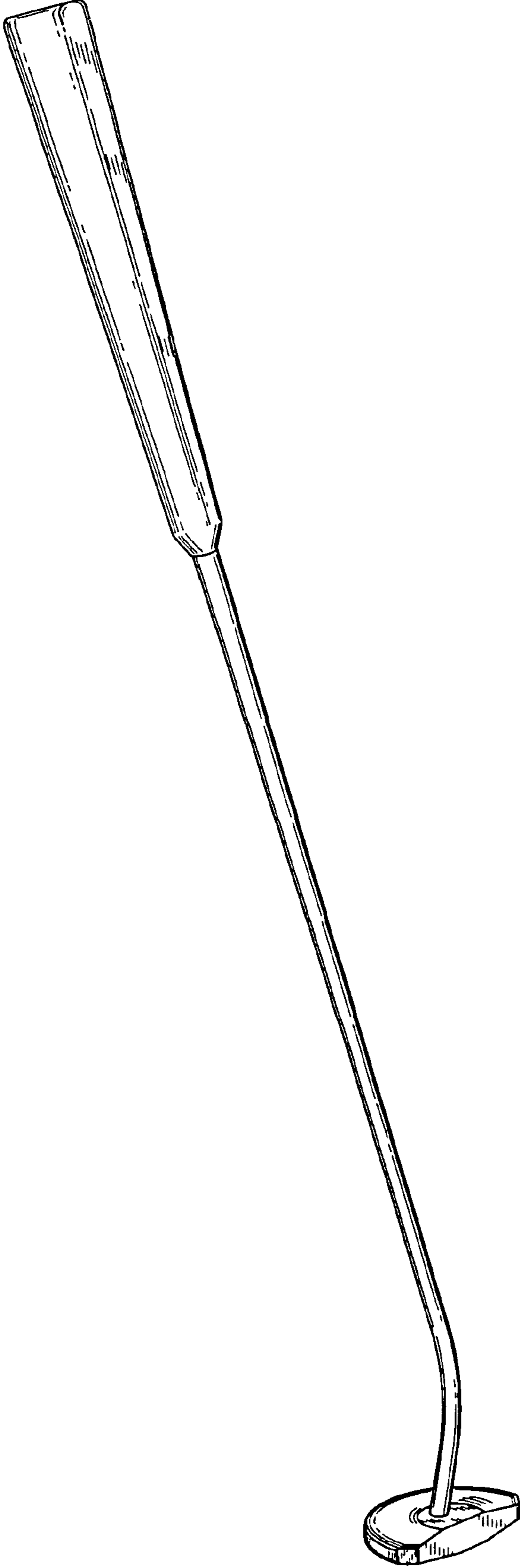


FIG. 1

FIG 2

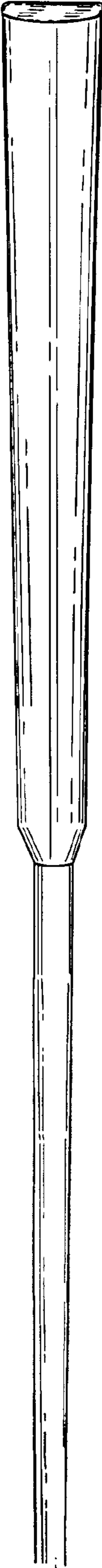
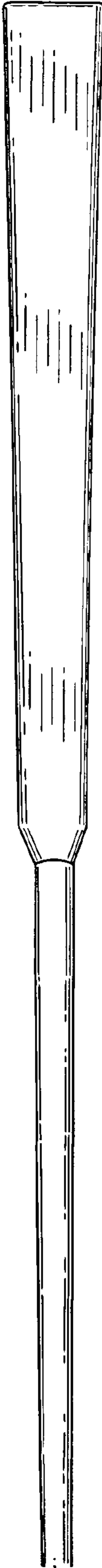
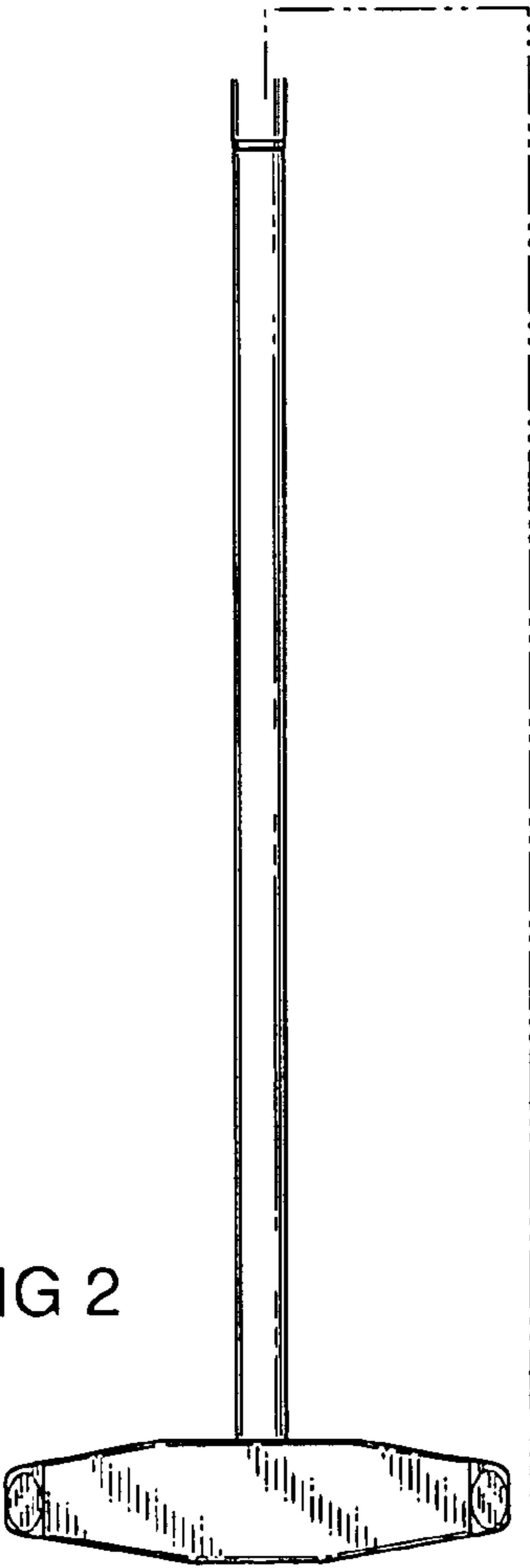
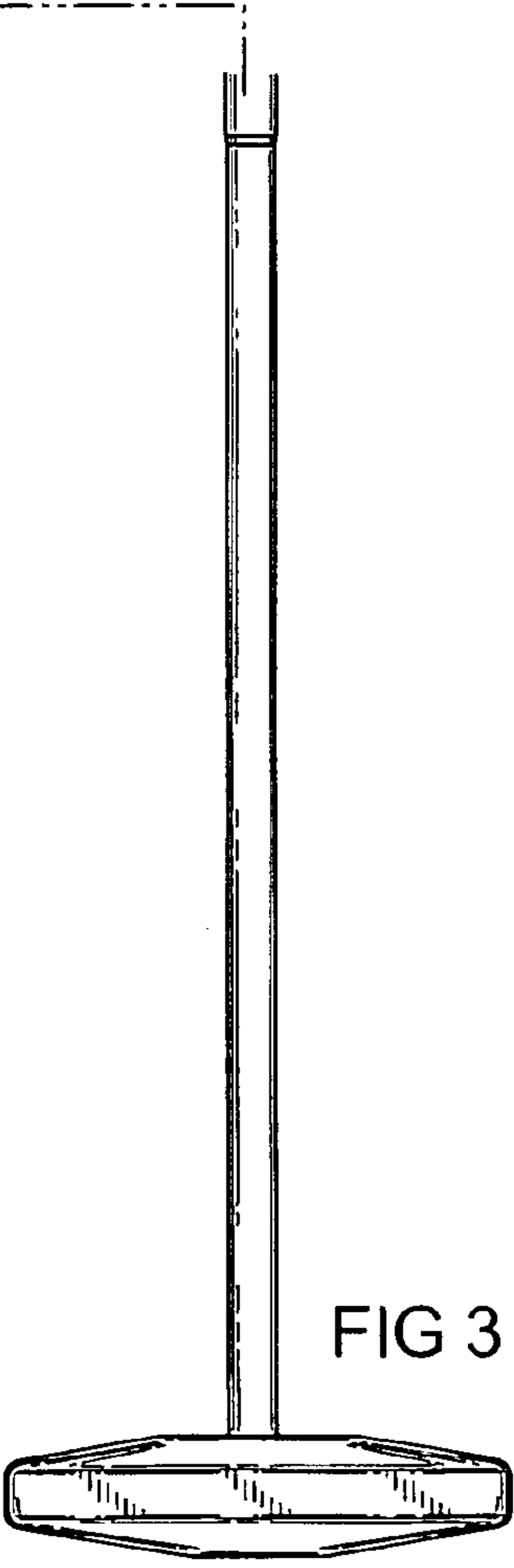


FIG 3



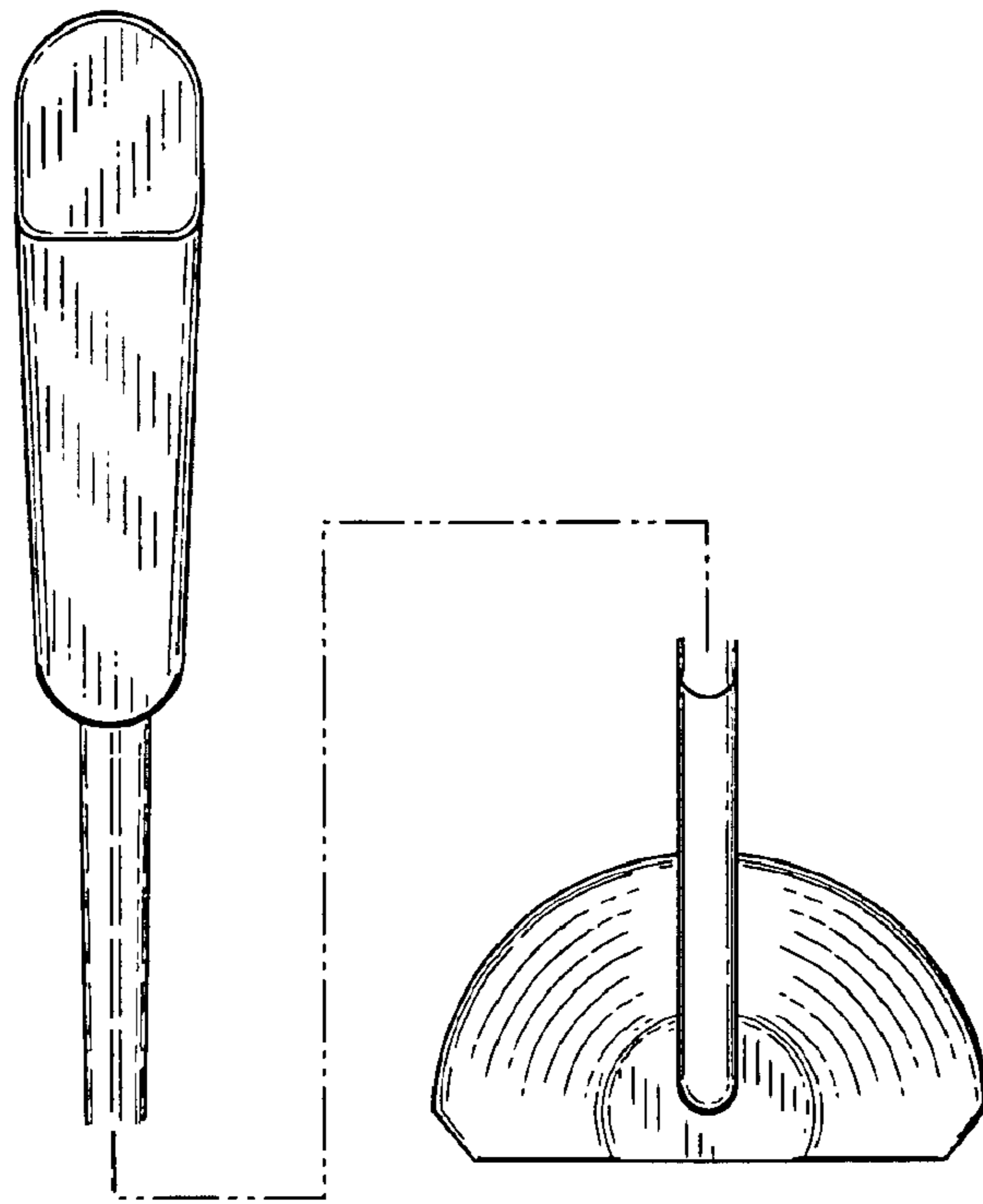


FIG 4

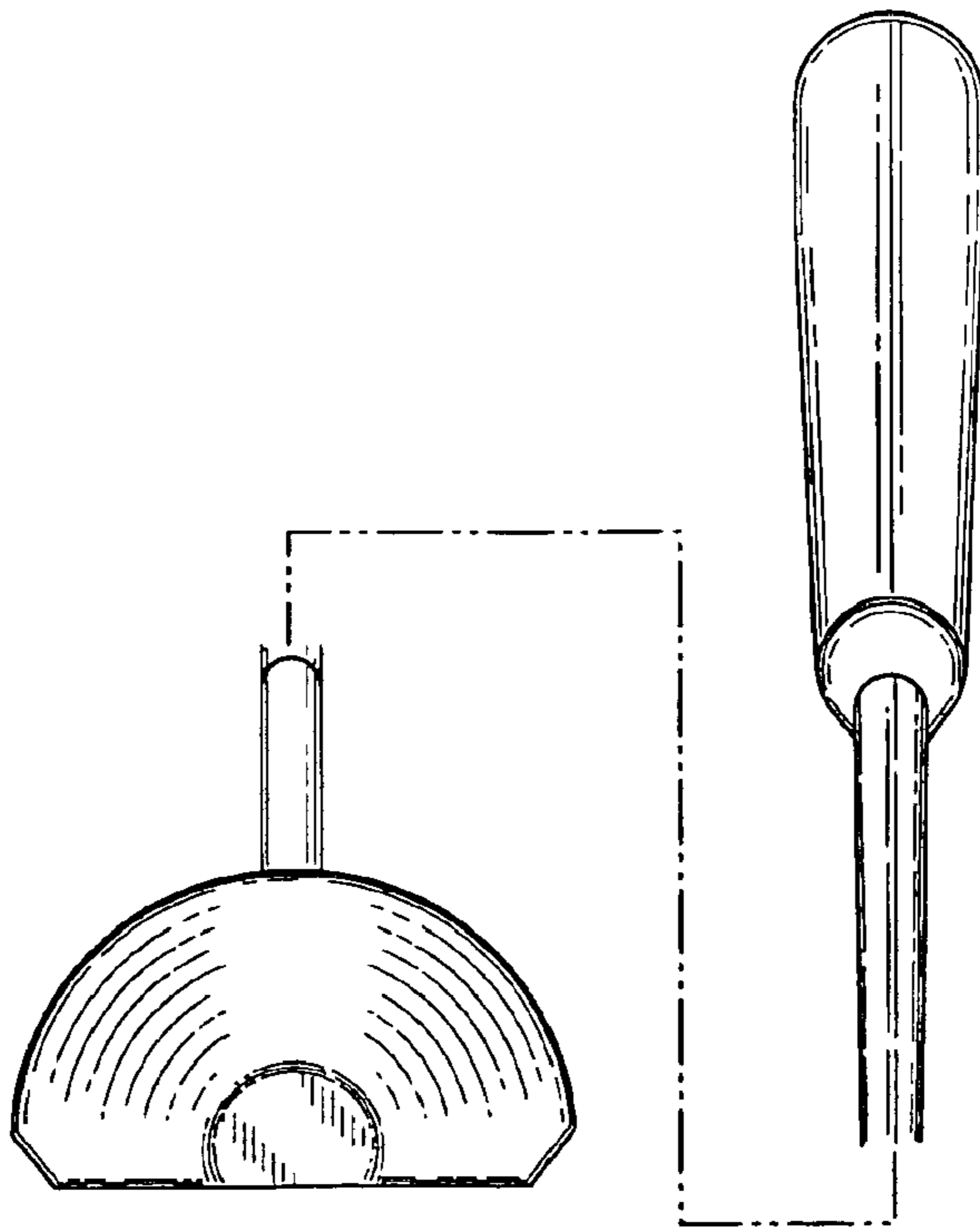


FIG 5

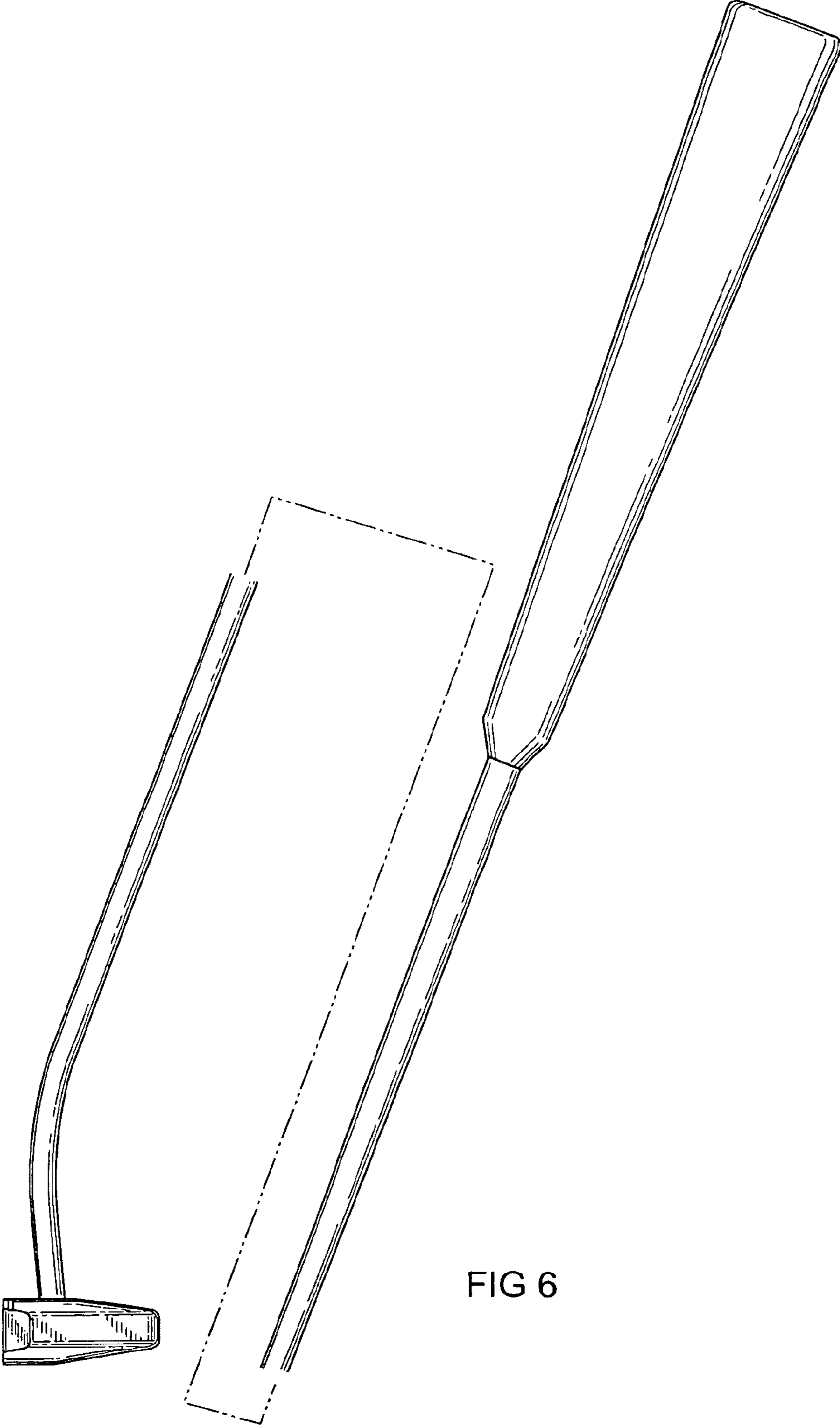


FIG 6

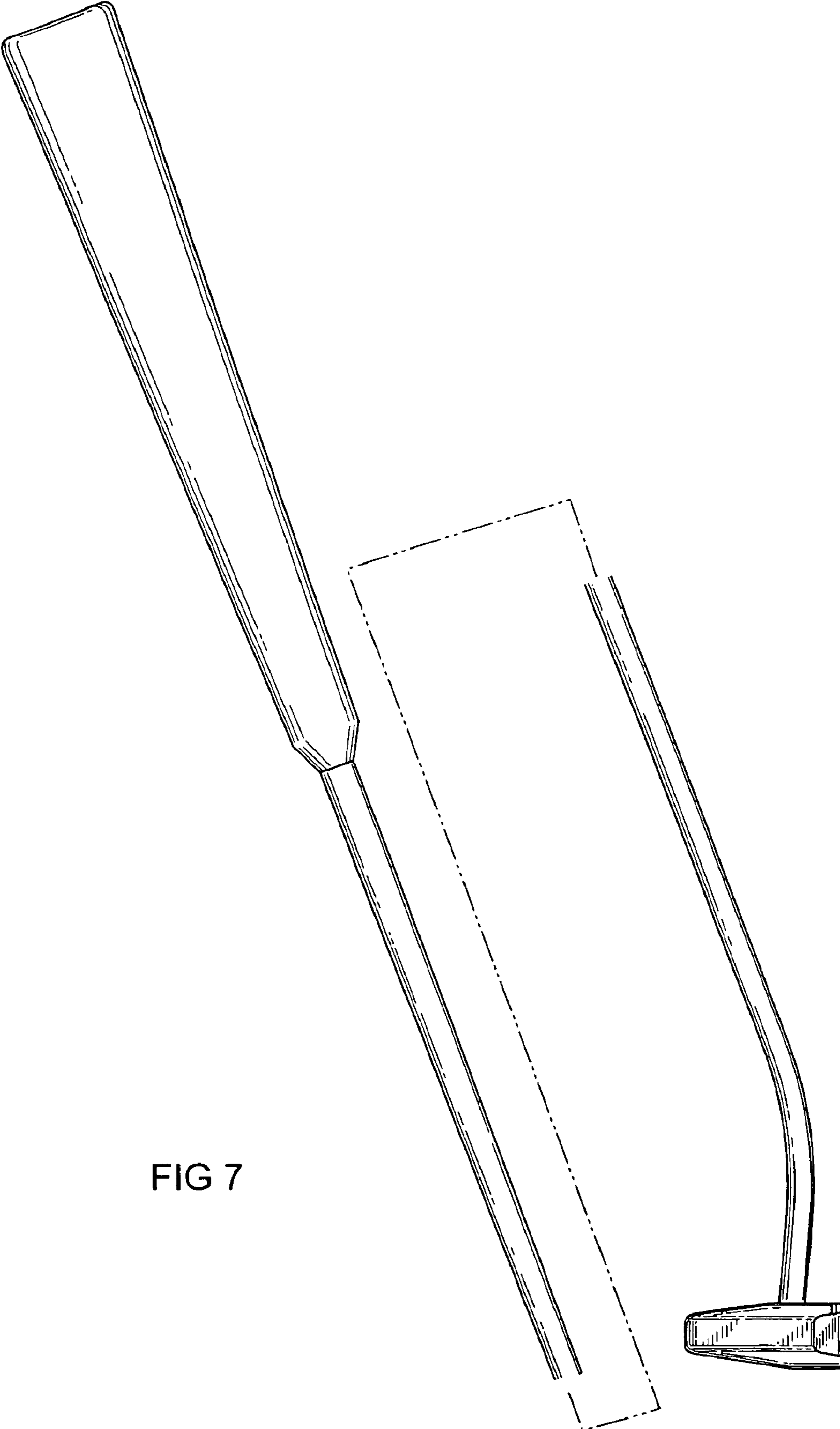


FIG 7