



US00D510112S

(12) **United States Design Patent** (10) **Patent No.:** **US D510,112 S**
Crook, II (45) **Date of Patent:** **** Sep. 27, 2005**

(54) **TRAINING DEVICE FOR ATHLETES**

(76) **Inventor:** **Robert E. Crook, II**, Road #1 Box
514, Altoona, PA (US) 16601

(**) **Term:** **14 Years**

(21) **Appl. No.:** **29/215,123**

(22) **Filed:** **Oct. 15, 2004**

(51) **LOC (8) Cl.** **21-02**

(52) **U.S. Cl.** **D21/698; D21/781**

(58) **Field of Search** **D21/698, 699,**
D21/701, 702, 705, 780, 781, 788, 791,
800, 677, 686, 691; D19/59, 60; 473/415-464;
434/247, 248, 251, 252, 258

(56) **References Cited**

U.S. PATENT DOCUMENTS

3,675,921 A	7/1972	Meyers, Sr.	
3,675,922 A *	7/1972	Nieland	473/420
4,989,862 A	2/1991	Curtis	
D321,370 S	11/1991	Curtis	
D324,554 S *	3/1992	McKinney	D21/699
5,485,993 A	1/1996	Lipsett	
5,527,185 A	6/1996	Davis	

5,558,338 A *	9/1996	Taub	473/416
5,816,951 A	10/1998	Hudock	
6,159,111 A *	12/2000	Purcell	473/422
D487,910 S *	3/2004	Wine	D21/698
2002/0182975 A1	12/2002	Schaffer	
2004/0132557 A1 *	7/2004	Broglio et al.	473/422

* cited by examiner

Primary Examiner—Catherine Tuttle

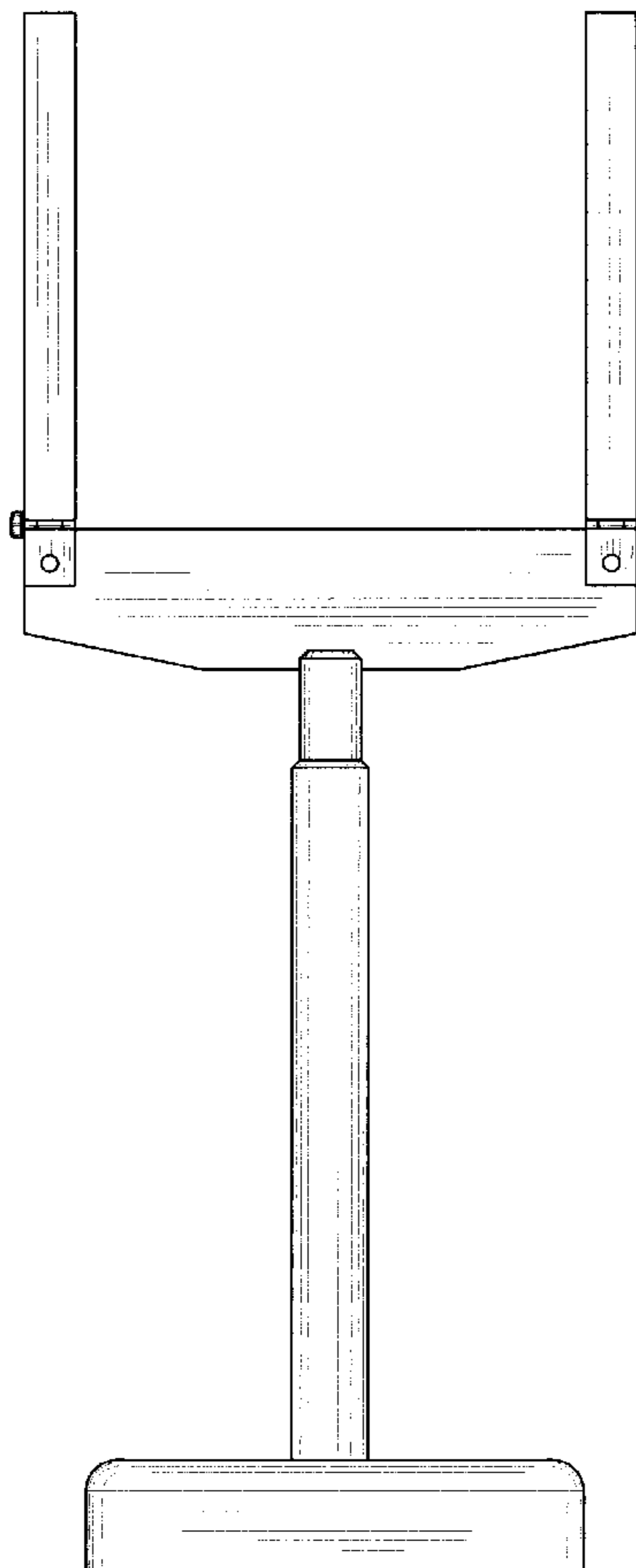
(57) **CLAIM**

The ornamental design for a training device for athletes, as shown and described.

DESCRIPTION

FIG. 1 is a front elevational view of a training device for athletes showing my new design;
 FIG. 2 is a rear elevational view thereof;
 FIG. 3 is a side elevational view thereof;
 FIG. 4 is a top plan view thereof;
 FIG. 5 is a bottom plan view thereof;
 FIG. 6 is a perspective view thereof; and,
 FIG. 7 is a perspective view showing the design in an alternate position.

1 Claim, 4 Drawing Sheets



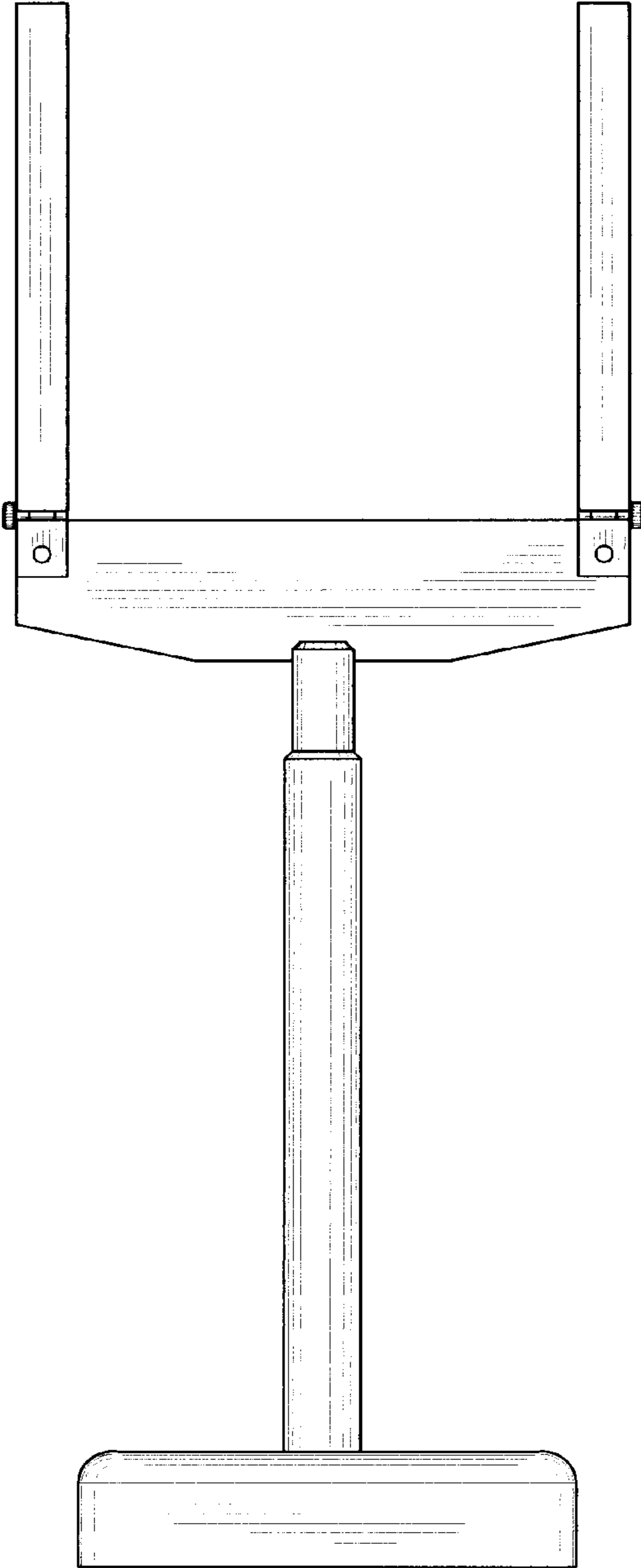


FIG. 1

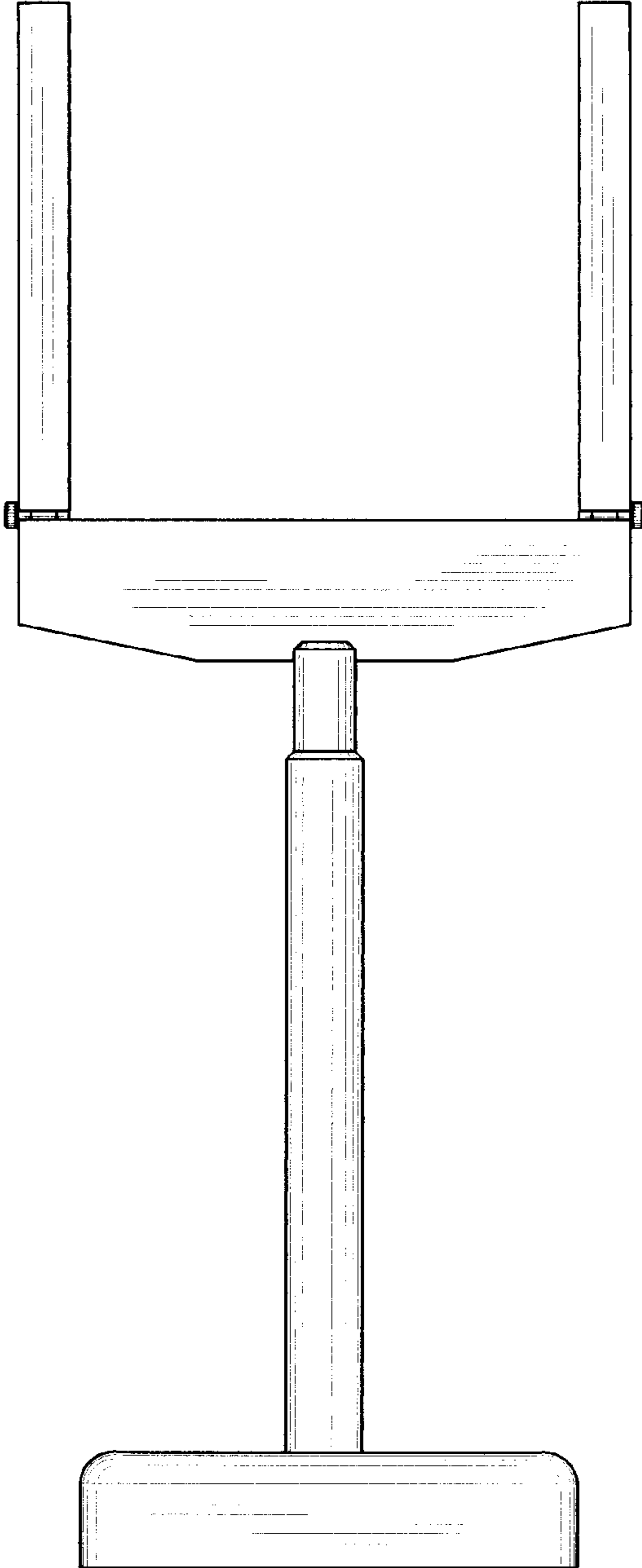


FIG. 2

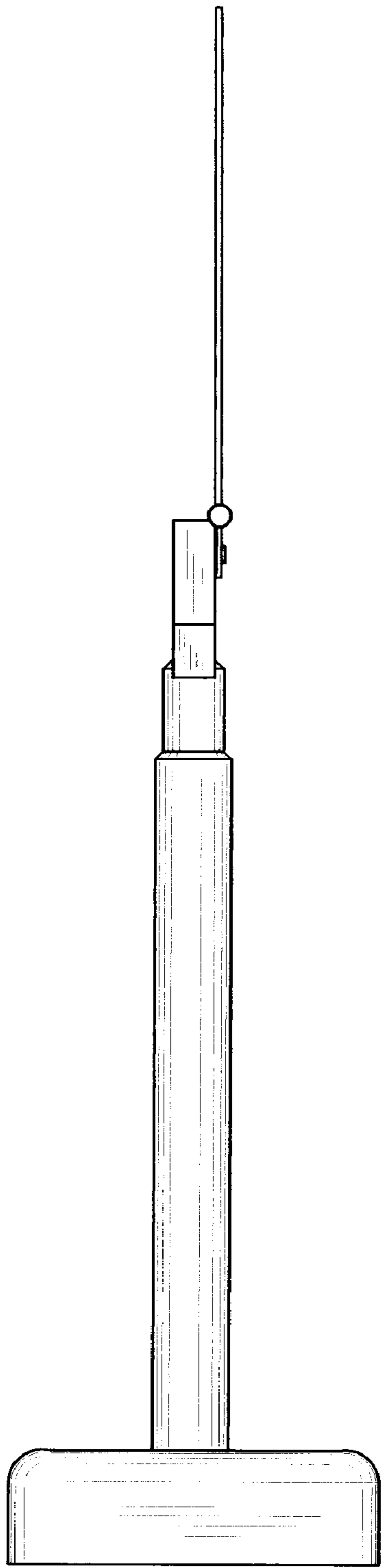


FIG. 3

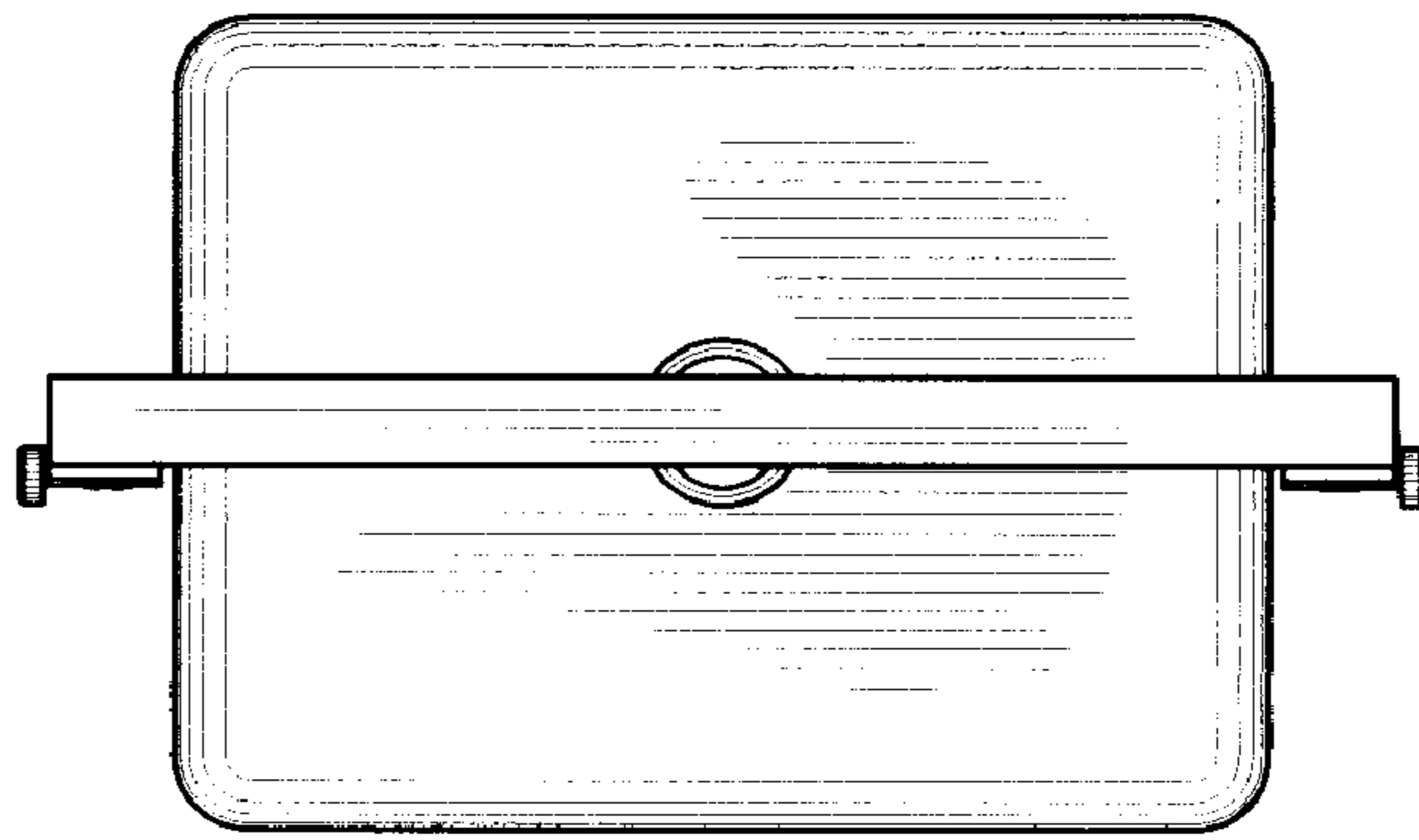


FIG. 4

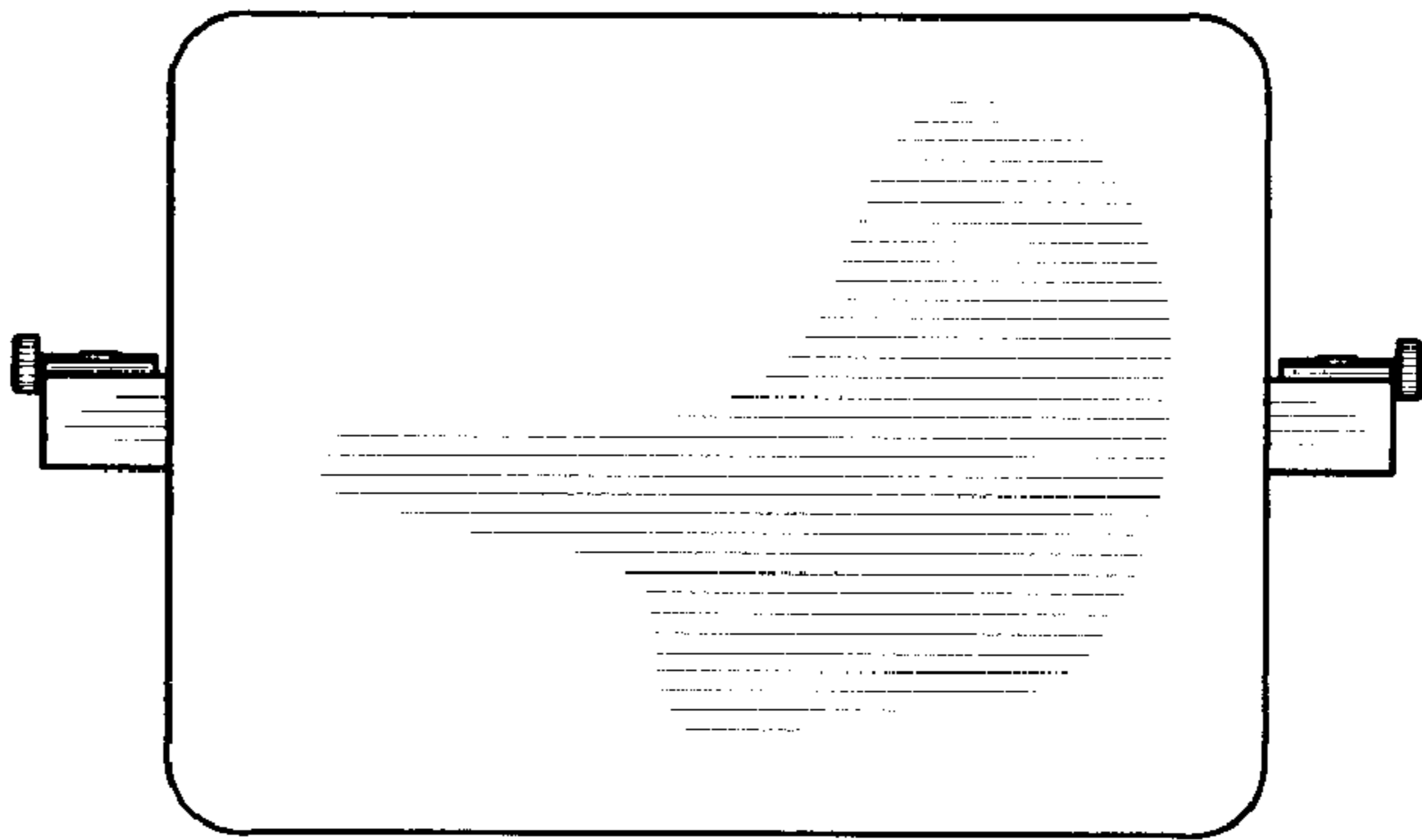


FIG. 5

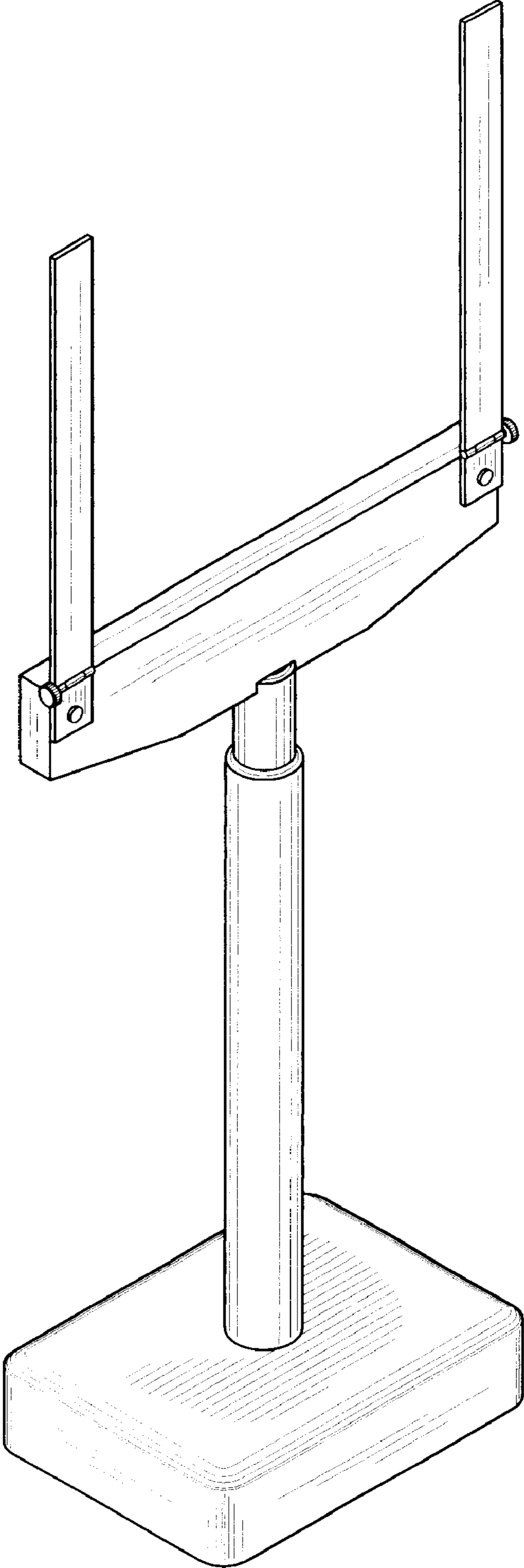


FIG. 6

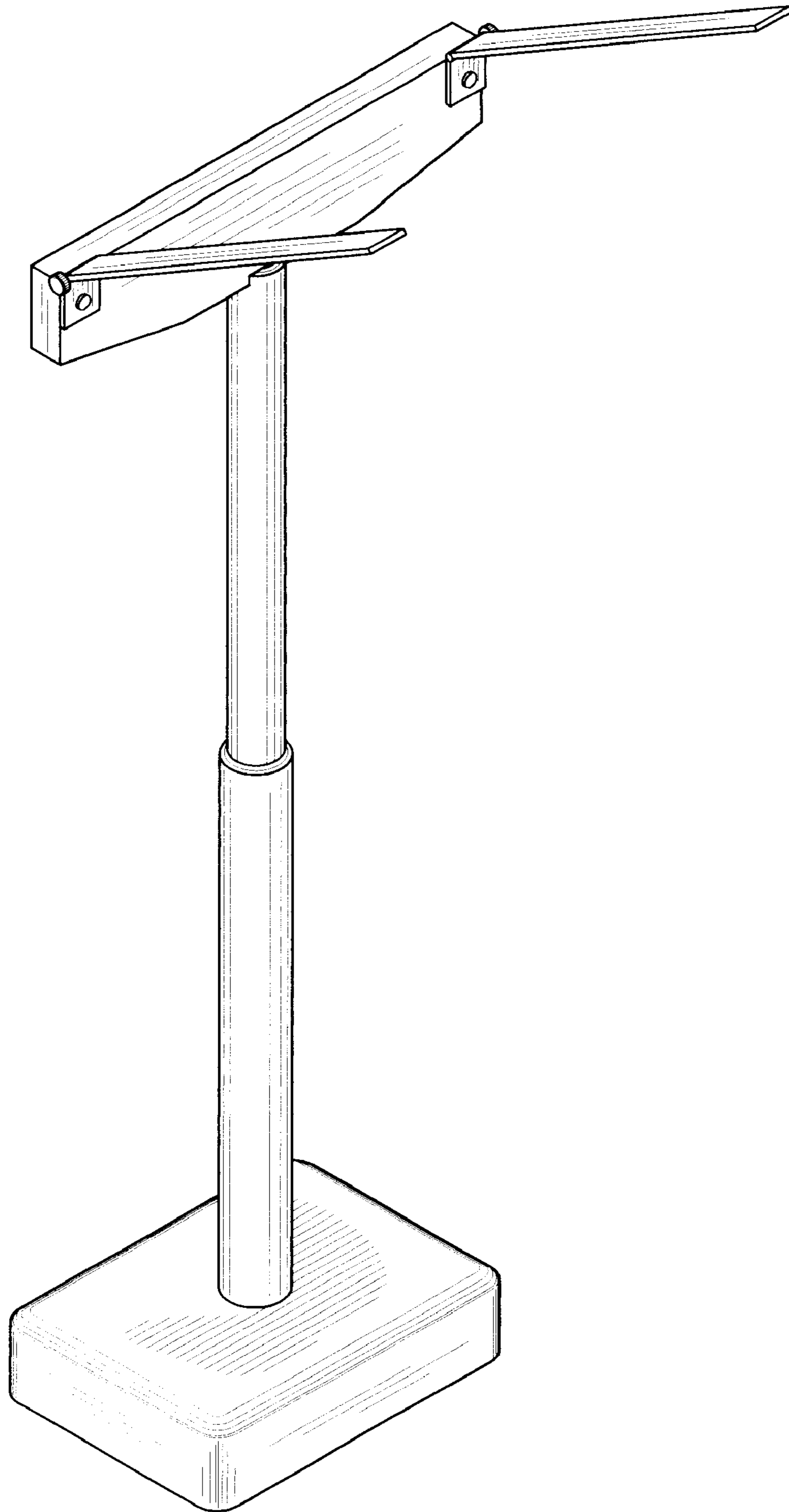


FIG. 7