



US00D510106S

(12) **United States Design Patent** (10) **Patent No.:** **US D510,106 S**  
**Leins** (45) **Date of Patent:** **\*\* Sep. 27, 2005**

(54) **MULTI PURPOSE HAND OPERATED OFFICE UTENSIL**

(75) Inventor: **Hanspeter Leins**, Nagold (DE)

(73) Assignee: **Ctech AG**, Landquart (CH)

(\*\*) Term: **14 Years**

(21) Appl. No.: **29/145,015**

(22) Filed: **Jul. 13, 2001**

**Related U.S. Application Data**

(62) Division of application No. 29/099,577, filed on Jan. 22, 1999, now Pat. No. Des. 448,410.

(30) **Foreign Application Priority Data**

Jul. 23, 1998 (WO) ..... DM/044 810

(51) **LOC (8) Cl.** ..... **19-06**

(52) **U.S. Cl.** ..... **D19/65; D8/105**

(58) **Field of Search** ..... **D19/65, 75, 77, D19/81-85, 99, 100; D8/98, 104, 105; 7/118, 119, 160, 163, 164; 30/152**

(56) **References Cited**

**U.S. PATENT DOCUMENTS**

400,987 A 4/1889 Wilzin  
492,084 A 2/1893 Brigham

(Continued)

**FOREIGN PATENT DOCUMENTS**

DE 819 542 11/1951  
DE P.A. 1980350-3458 6/1958  
DE 26 25 749 A1 12/1977  
DE 31 39 995 A1 4/1983  
DE 35 38 596 5/1987  
DE 4021645 A1 2/1991  
DE 41 10 688 A1 9/1991  
DE 93 01 374.4 5/1993  
DE 195 27 859 A1 1/1997  
DE 197 45 799 A1 7/1998  
EM 69091 8/2003

EP 0 306 678 A2 3/1989  
EP 0 783 938 A2 7/1997  
GB 19 327 9/1896  
GB 10 067 4/1897  
GB 140 515 12/1918

(Continued)

**OTHER PUBLICATIONS**

WIPO International Designs Bulletin Issue No. 07/1998 (DM/044810), published Oct. 30, 1998.

Brochure, "Wenger. The Genuine Swiss Army Knife", 27 pages.

Brochure, "Wenger. The Genuine Swiss Army Knife™", 8 pages.

Six photographs showing top, bottom, left-side, right-side, front, and rear views of "MoMA Plus" device.

WIPO International Designs Bulletin Issue No. 01/1997 (DM/038962), published Mar. 27, 1997.

*Primary Examiner*—Martie K. Holtje

(74) *Attorney, Agent, or Firm*—Brinks Hofer Gilson & Lione

(57) **CLAIM**

The ornamental design for a multi purpose hand operated office utensil, as shown and described.

**DESCRIPTION**

FIG. 1 is a first perspective view of a multi-purpose hand operated office utensil that embodies my new design;

FIG. 2 is a second perspective view thereof;

FIG. 3 is a third perspective view thereof;

FIG. 4 is a fourth perspective view thereof;

FIG. 5 is a front elevational view thereof;

FIG. 6 is a rear elevational view thereof;

FIG. 7 is a right side elevational view thereof;

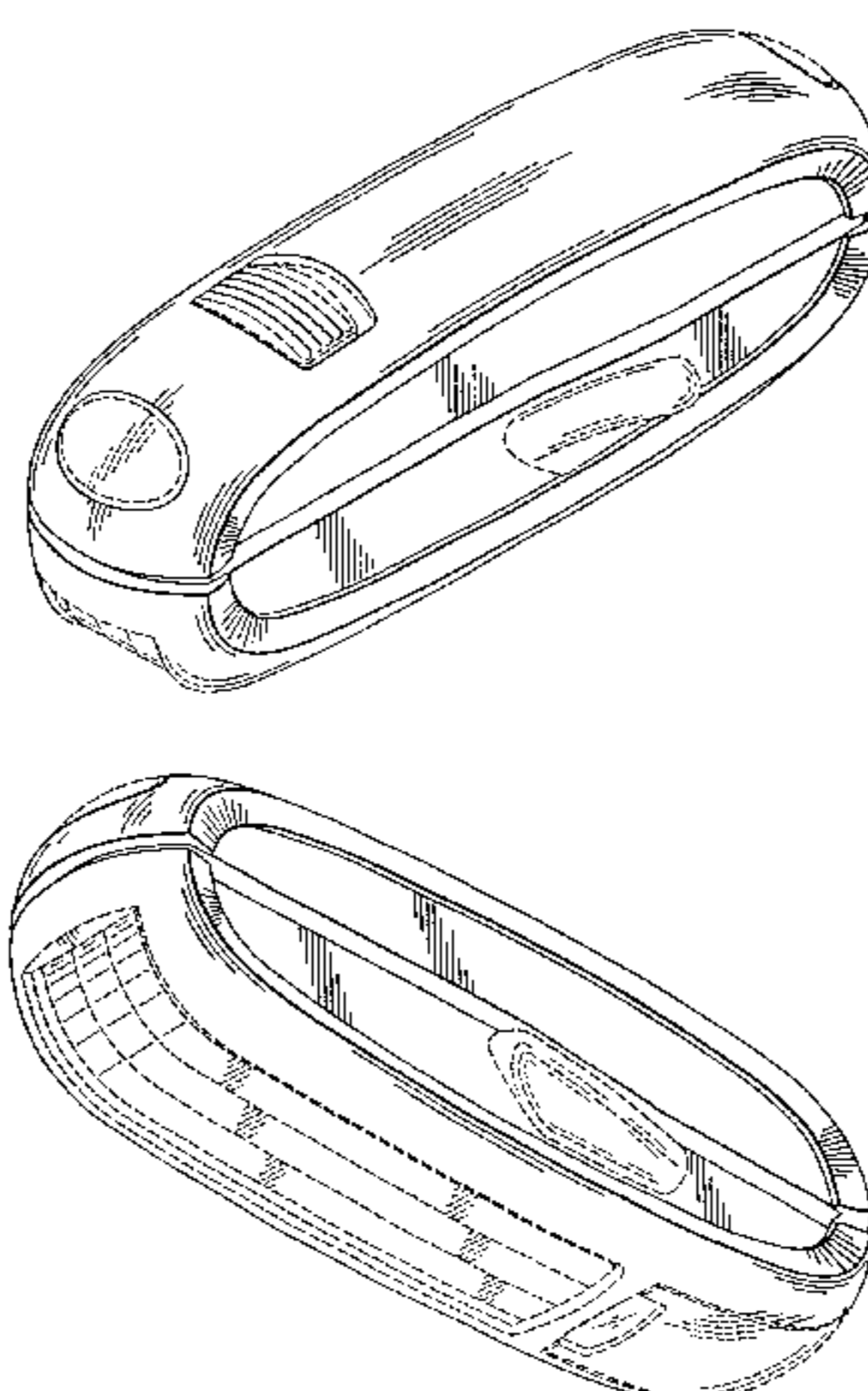
FIG. 8 is a left side elevational view thereof;

FIG. 9 is a top plan view thereof; and,

FIG. 10 is a bottom plan view thereof.

The top and bottom shells may have the same or a different color than the side walls, and the recessed surfaces may have the same color as the other surfaces or a different color.

**1 Claim, 5 Drawing Sheets**



# US D510,106 S

## U.S. PATENT DOCUMENTS

533,219 A	1/1895	Hardy	
551,052 A	12/1895	Shonnard et al.	
563,305 A	7/1896	Paffrath	
616,689 A	12/1898	Ruettgers	
662,005 A	11/1900	Lewis	
689,513 A	12/1901	Papendell	
698,080 A	4/1902	Treas	
749,230 A	1/1904	Severance	
790,432 A	5/1905	Heilrath	
857,459 A	6/1907	Hendrickson	
1,234,345 A	7/1917	Keeran	
1,412,373 A	4/1922	Shields	
1,431,835 A	10/1922	Neft	
1,451,607 A	4/1923	Bates	
1,603,914 A	10/1926	Hermann	
1,647,405 A	11/1927	Giesen	
1,965,291 A	7/1934	Kowald	
2,199,430 A	5/1940	Greve	
2,250,290 A	7/1941	Berg	
2,264,322 A	12/1941	Maynard	1/3
2,316,246 A	4/1943	Hyatt	
2,416,277 A	2/1947	Siegel	
2,486,500 A	11/1949	Shocket	1/49
2,601,999 A	7/1952	Sly	
2,726,393 A	12/1955	Vogel	1/3.05
2,808,646 A	10/1957	Lohr, Jr. et al.	
3,315,295 A	4/1967	Jeter, Jr. et al.	
3,640,443 A	2/1972	Itagaki	227/120
3,907,190 A	9/1975	Mitsubishi	227/127
3,951,325 A	4/1976	Mitsubishi	227/76
4,002,281 A	1/1977	Hsu	227/63
4,040,556 A	8/1977	Dahle	
4,114,793 A	9/1978	Hsu	227/63
4,240,572 A	12/1980	Mitsubishi	227/76
4,243,168 A	1/1981	Balma	
D259,596 S	6/1981	Gray	
4,288,018 A	9/1981	Taniguchi	227/76
D262,585 S	1/1982	Anema	
4,491,261 A	1/1985	Mitsubishi	227/76
4,640,451 A	2/1987	Steiner et al.	227/76
4,719,700 A	1/1988	Taylor, Jr.	
4,727,610 A	3/1988	Lin	7/160
4,729,170 A	3/1988	Hartmeister	30/363
4,779,785 A	10/1988	Amagaya	227/76
4,783,867 A	11/1988	Tsao	
4,794,692 A	1/1989	Wang	
4,811,486 A	3/1989	Cunningham	
D302,102 S	7/1989	Amagaya	
D308,462 S	6/1990	Komatsu	
D316,932 S	5/1991	Escher, Jr.	
D318,070 S	7/1991	Amagaya	
5,027,994 A	7/1991	Lee	
D321,637 S	11/1991	Chan	
5,114,257 A	5/1992	Hsu	401/195
5,184,765 A	2/1993	Orozco	227/27
D336,415 S	6/1993	Cheng	
5,331,741 A	7/1994	Taylor, Jr.	

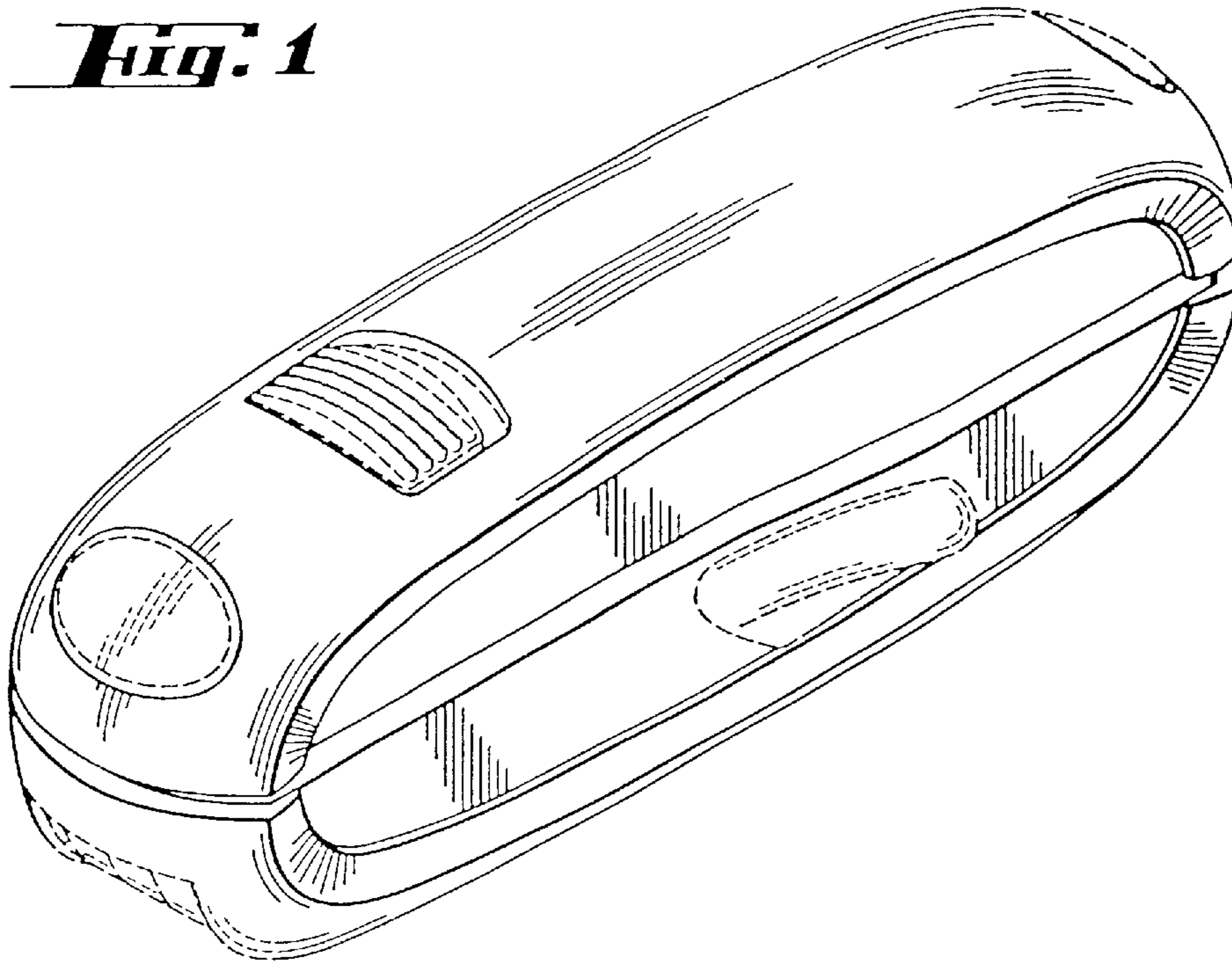
5,584,124 A	12/1996	Marthaler et al.	30/363
5,626,275 A	5/1997	Chen	
D380,900 S	7/1997	Pearson et al.	
5,655,697 A	8/1997	Yeh	227/27
D402,313 S	12/1998	Tzeng	D19/65
D407,432 S	3/1999	Tell	
5,896,665 A	4/1999	Harris	
D409,385 S	5/1999	Pearson et al.	
5,911,761 A	6/1999	Tilley	
D414,935 S	10/1999	Bould	
D415,201 S	10/1999	Leins	
5,960,498 A	10/1999	Nabors et al.	
5,979,734 A	11/1999	Chang	
6,009,582 A	1/2000	Harrison et al.	
6,038,723 A	3/2000	Nabors et al.	
D425,125 S	5/2000	Leins	
D427,764 S	7/2000	Conway	
6,105,189 A	8/2000	Nabors et al.	
D430,393 S	9/2000	Conway	
D434,073 S	* 11/2000	Leins	D19/65
D434,796 S	12/2000	Coleman	
D436,130 S	* 1/2001	Leins	D19/65
D437,615 S	* 2/2001	Leins	D19/65
D441,020 S	* 4/2001	Leins	D19/65
6,233,769 B1	5/2001	Seber et al.	
D448,410 S	* 9/2001	Leins	D19/65
6,286,745 B1	9/2001	Ackeret	
D451,674 S	12/2001	Leins	
D460,339 S	7/2002	Lin	
D463,494 S	9/2002	Mori	
D464,679 S	10/2002	Leins	
6,460,433 B1	10/2002	Ackeret et al.	
6,493,893 B1	12/2002	Ackeret	
D472,931 S	4/2003	Leins	
D474,507 S	5/2003	Leins	
6,708,360 B2	3/2004	Ackeret	
D493,837 S	8/2004	Leins	
2001/0037528 A1	11/2001	Ackeret	
2004/0034937 A1	2/2004	Ackeret	

## FOREIGN PATENT DOCUMENTS

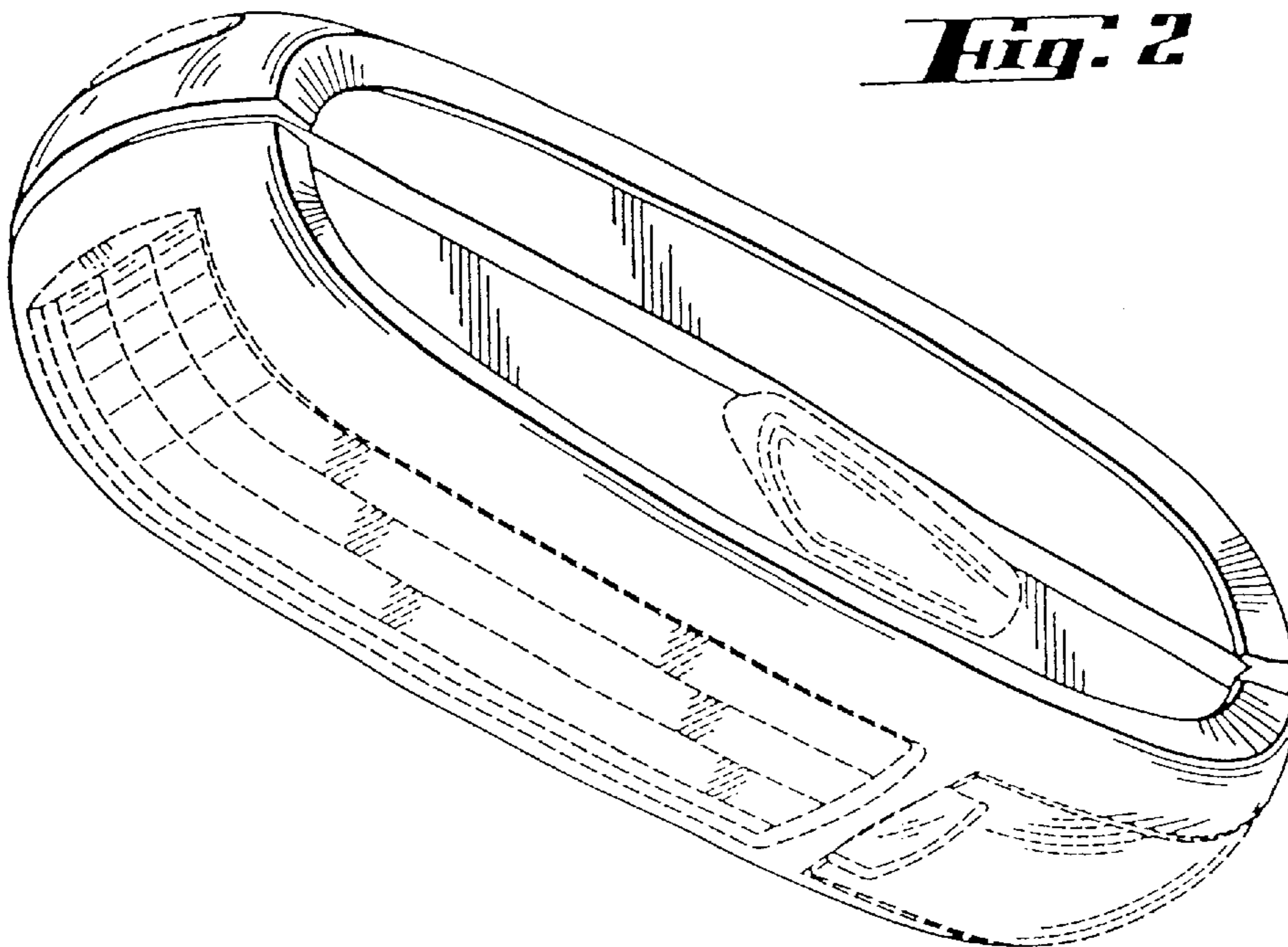
GB	2 186 227 A	8/1987
GB	2196896 A	4/1988
JP	41-22884	11/1941
JP	53-71379	6/1978
JP	53-71380	6/1978
JP	2-19484	2/1990
JP	08112781 A	5/1996
WO	WO 84/01739	5/1984
WO	WO 86/01449	3/1986
WO	WO 94/17963	8/1994
WO	WO 95/1113	4/1995
WO	WO 97/04924	7/1996
WO	WO 98/32570	7/1998
WO	WO 02/00067	1/2002
WO	WO 02/00397	1/2002
WO	WO 03/074235	9/2003

\* cited by examiner

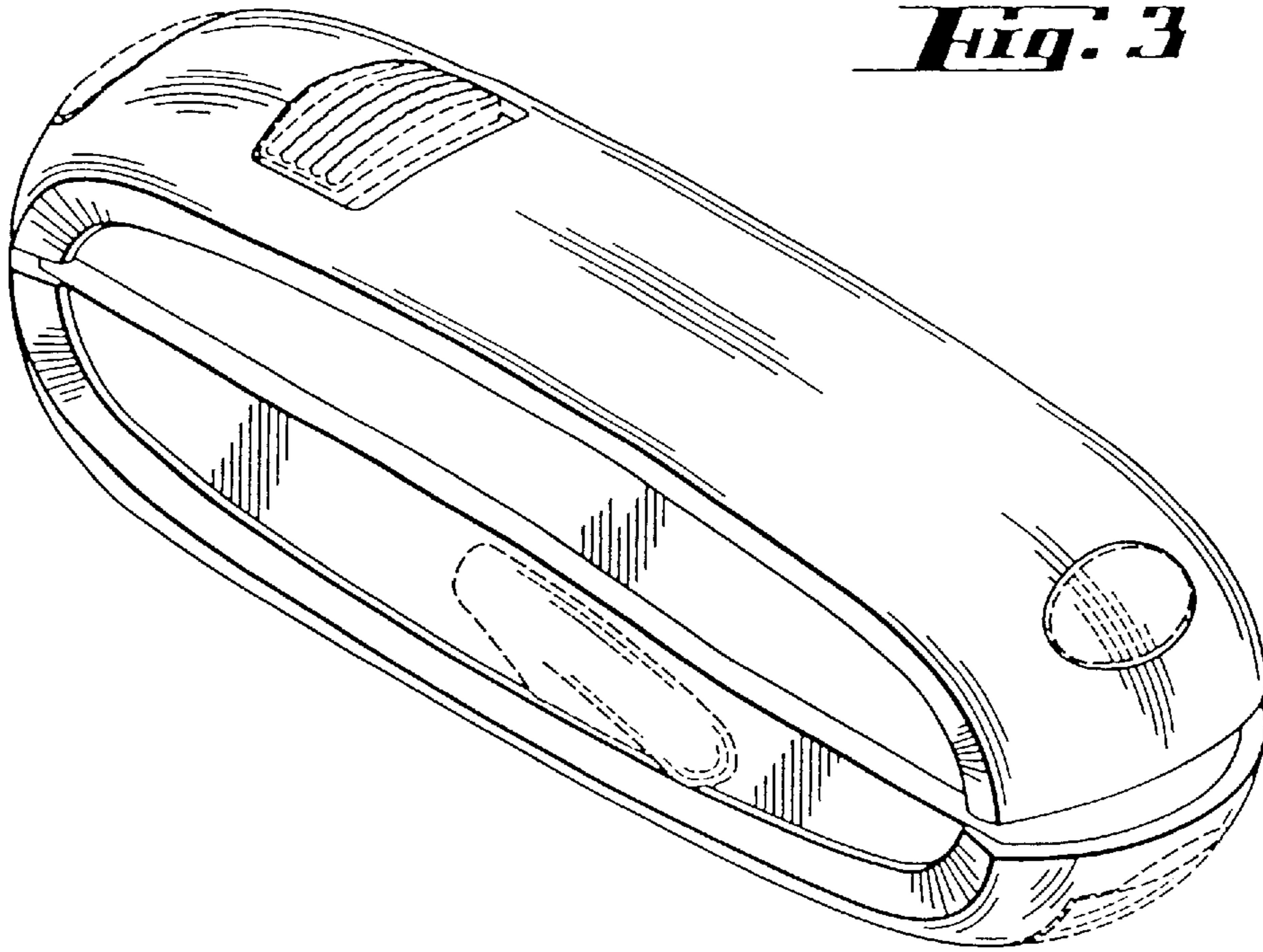
***Fig. 1***



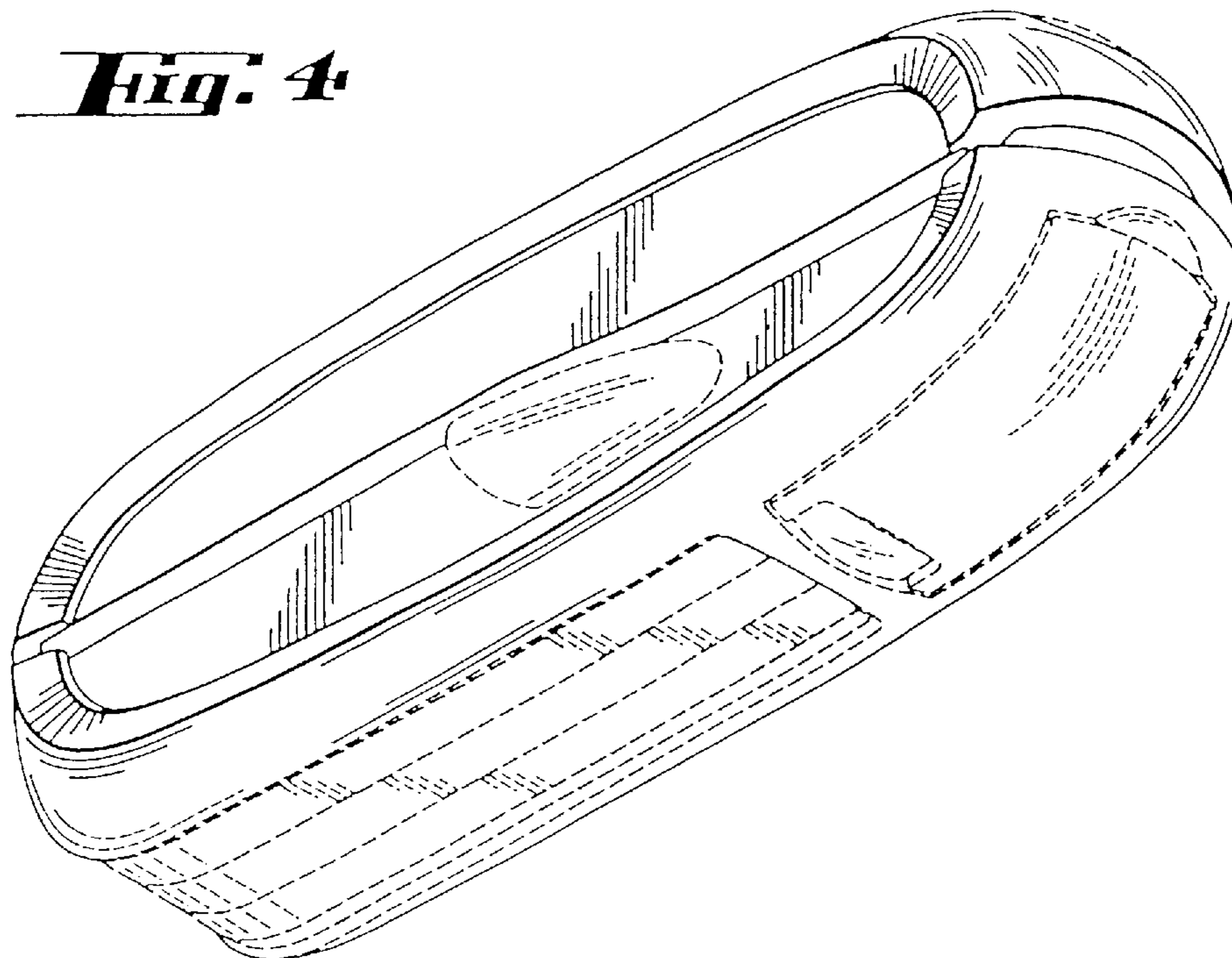
***Fig. 2***



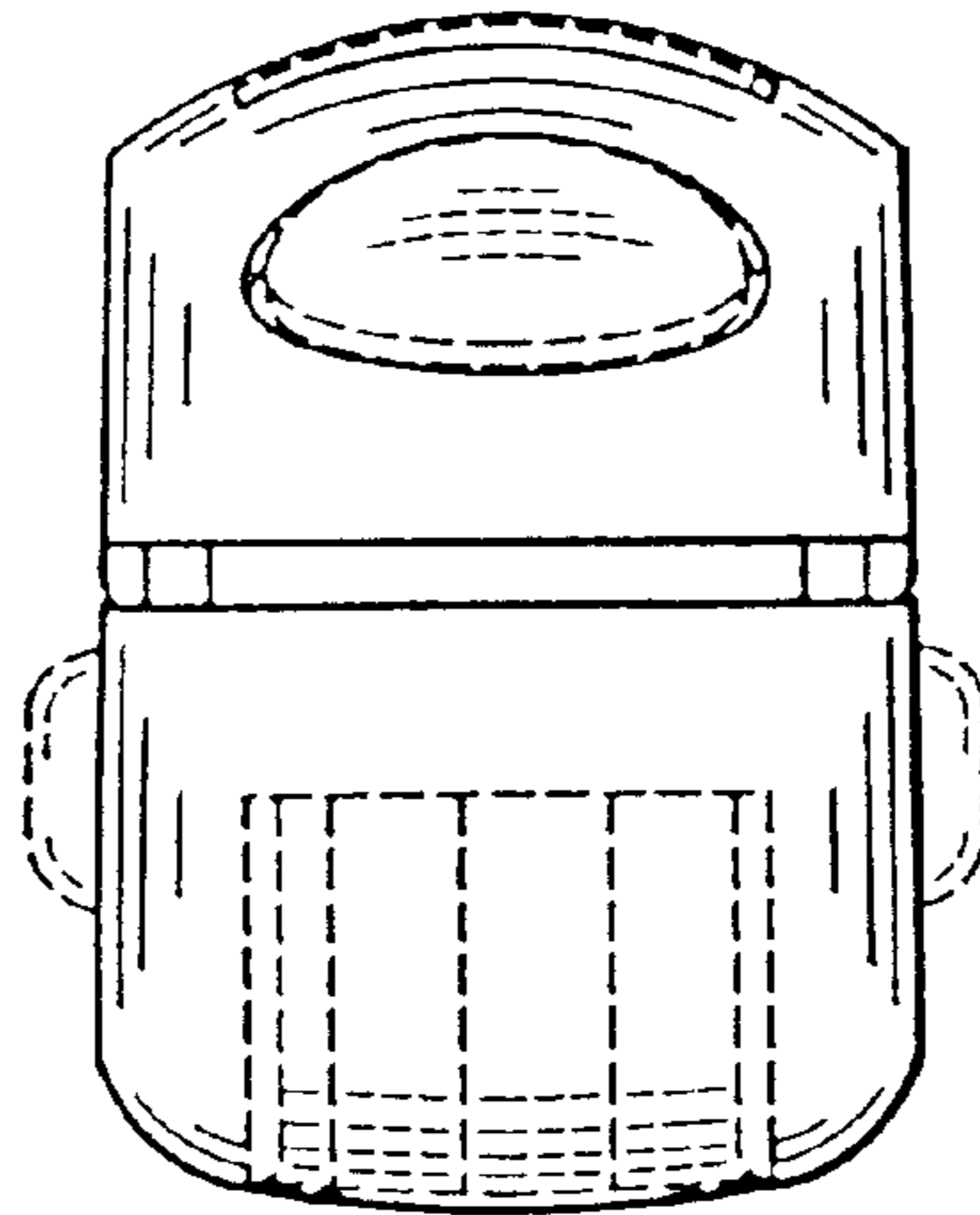
***Fig. 3***



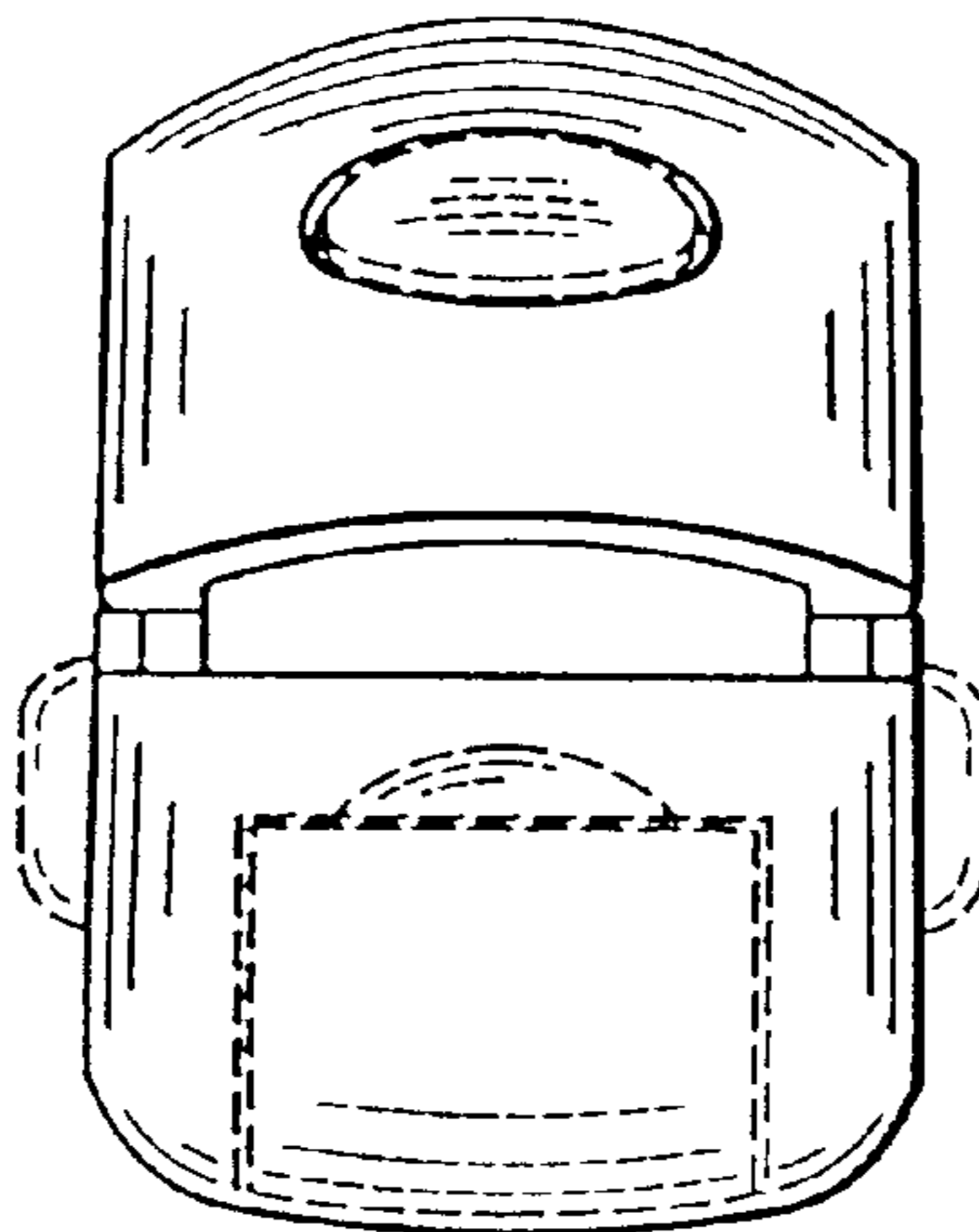
***Fig. 4***



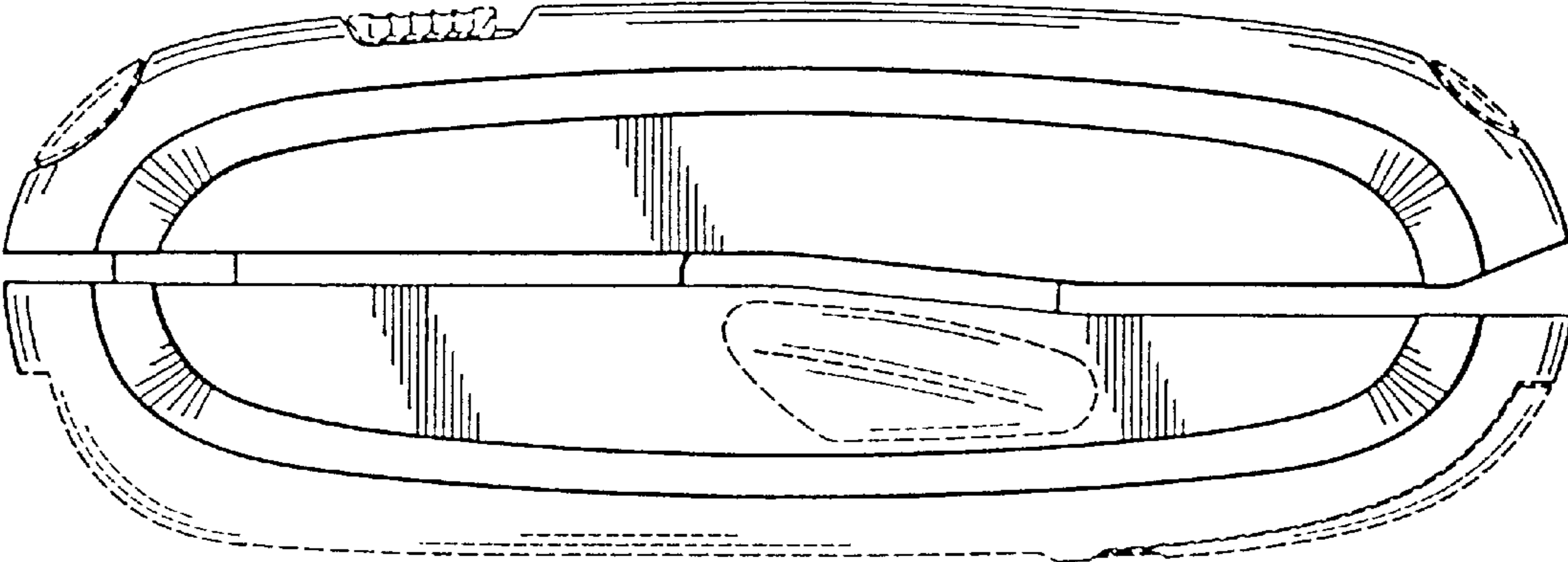
***Fig. 5***



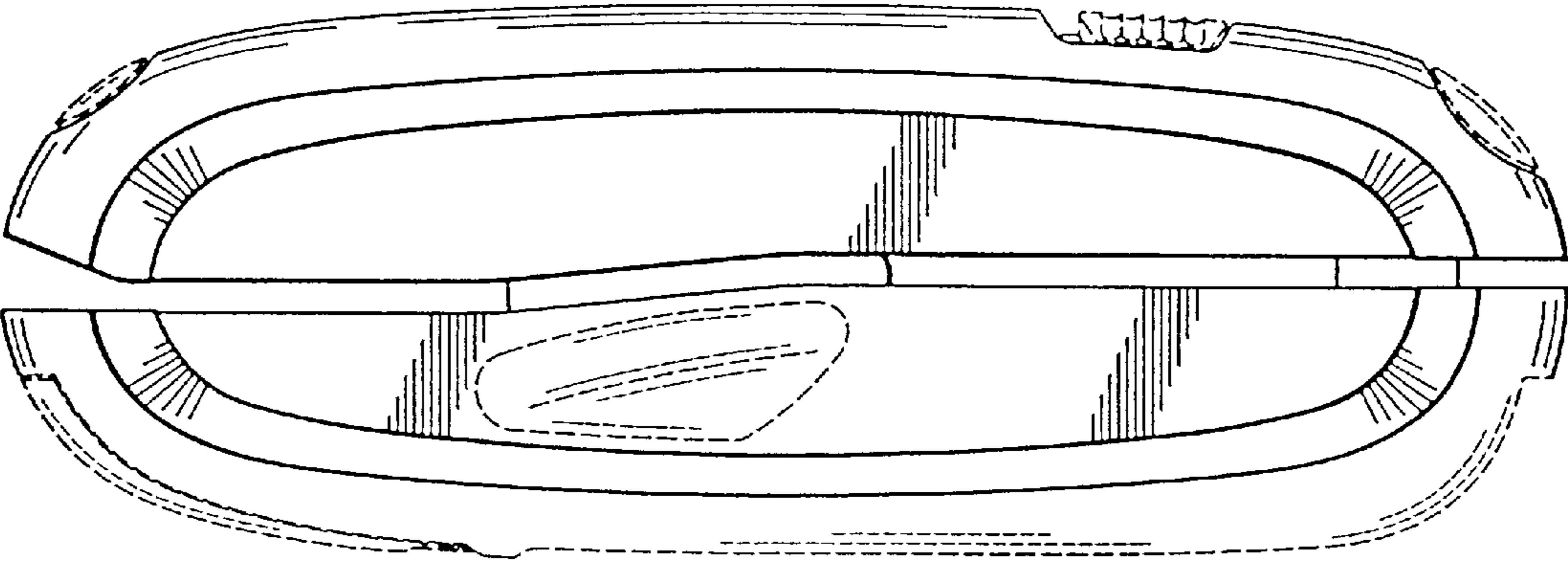
***Fig. 6***



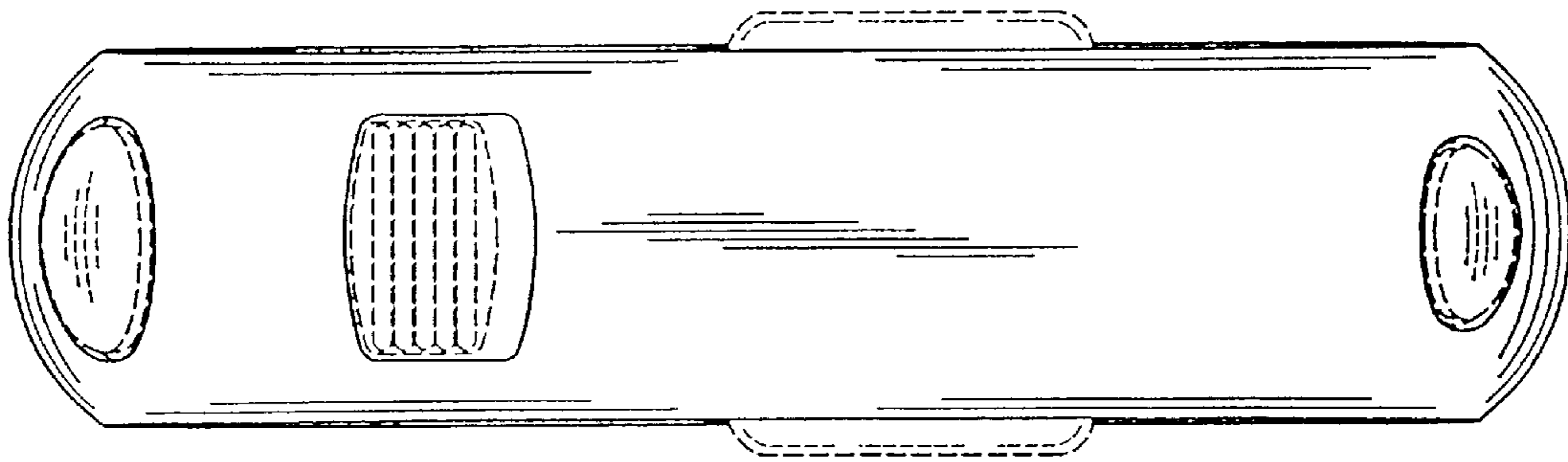
***Fig. 7***



***Fig. 8***



***Fig. 9***



***Fig. 10***

