

US00D510103S

(12) **United States Design Patent** (10) **Patent No.:** **US D510,103 S**  
**Allard et al.** (45) **Date of Patent:** **\*\* Sep. 27, 2005**

(54) **TRANSPARENT CARD WITH AN ANTENNA**  
 (75) Inventors: **Lee Allard**, Uckfield (GB); **David Bonalle**, New Rochelle, NY (US); **Gail Francolini**, New York, NY (US); **Pam Kornfeld**, Westfield, NJ (US); **Leigh Malnati**, Mountain Lakes, NJ (US); **Sue Mueller**, Phoenix, AZ (US); **Zarita Norcross**, Glendale, AZ (US); **Danielle Nulle**, Atlantic Highlands, NJ (US); **Steve Rank**, New York, NY (US); **Lisa Skilling-Belmond**, New York, NY (US); **Lisa Webb**, Darien, CT (US)

(73) Assignee: **American Express Travel Related Services Company, Inc.**, New York, NY (US)

(\*\*) Term: **14 Years**

(21) Appl. No.: **29/206,934**

(22) Filed: **Jun. 3, 2004**

(51) **LOC (8) Cl.** ..... **19-08**

(52) **U.S. Cl.** ..... **D19/10**

(58) **Field of Search** ..... D14/436, 437, D14/438; D19/1, 2, 9, 10, 11; D20/22, 27, 40; 40/625, 626; 235/380, 382, 449, 488, 492, 493; 283/106, 107, 108, 109, 904

(56) **References Cited**

**U.S. PATENT DOCUMENTS**

4,711,690	A	*	12/1987	Haghiri-Tehrani	.....	156/309.6
5,321,240	A	*	6/1994	Takahira	.....	235/380
5,705,852	A	*	1/1998	Orihara et al.	.....	257/679
5,809,633	A	*	9/1998	Mundigl et al.	.....	29/600
6,095,424	A	*	8/2000	Prancz	.....	235/492
6,127,989	A	*	10/2000	Kunz	.....	343/895

6,161,761	A	*	12/2000	Ghaem et al.	.....	235/492
D442,629	S	*	5/2001	Webb et al.	.....	D19/10
6,252,777	B1	*	6/2001	Ikeda et al.	.....	361/737
6,255,725	B1	*	7/2001	Akagawa et al.	.....	257/679
D447,515	S	*	9/2001	Faenza et al.	.....	D19/10
6,386,459	B1	*	5/2002	Patrice et al.	.....	235/492
6,412,702	B1	*	7/2002	Ishikawa et al.	.....	235/492
6,536,674	B2	*	3/2003	Kayanakis et al.	.....	235/492
D474,472	S	*	5/2003	Maekawa et al.	.....	D14/436
6,628,240	B2	*	9/2003	Amadeo	.....	343/866
6,631,847	B1	*	10/2003	Kasahara et al.	.....	235/487
6,651,891	B1	*	11/2003	Zakel et al.	.....	235/487
6,724,103	B2	*	4/2004	Parrault	.....	307/104
2002/0089405	A1	*	7/2002	Jitaru	.....	336/200
2003/0085288	A1	*	5/2003	Luu	.....	235/492
2004/0129785	A1	*	7/2004	Luu	.....	235/486

\* cited by examiner

*Primary Examiner*—Joel A. Sincavage

*Assistant Examiner*—Elizabeth Albert

(74) *Attorney, Agent, or Firm*—Snell & Wilmer L.L.P.

(57) **CLAIM**

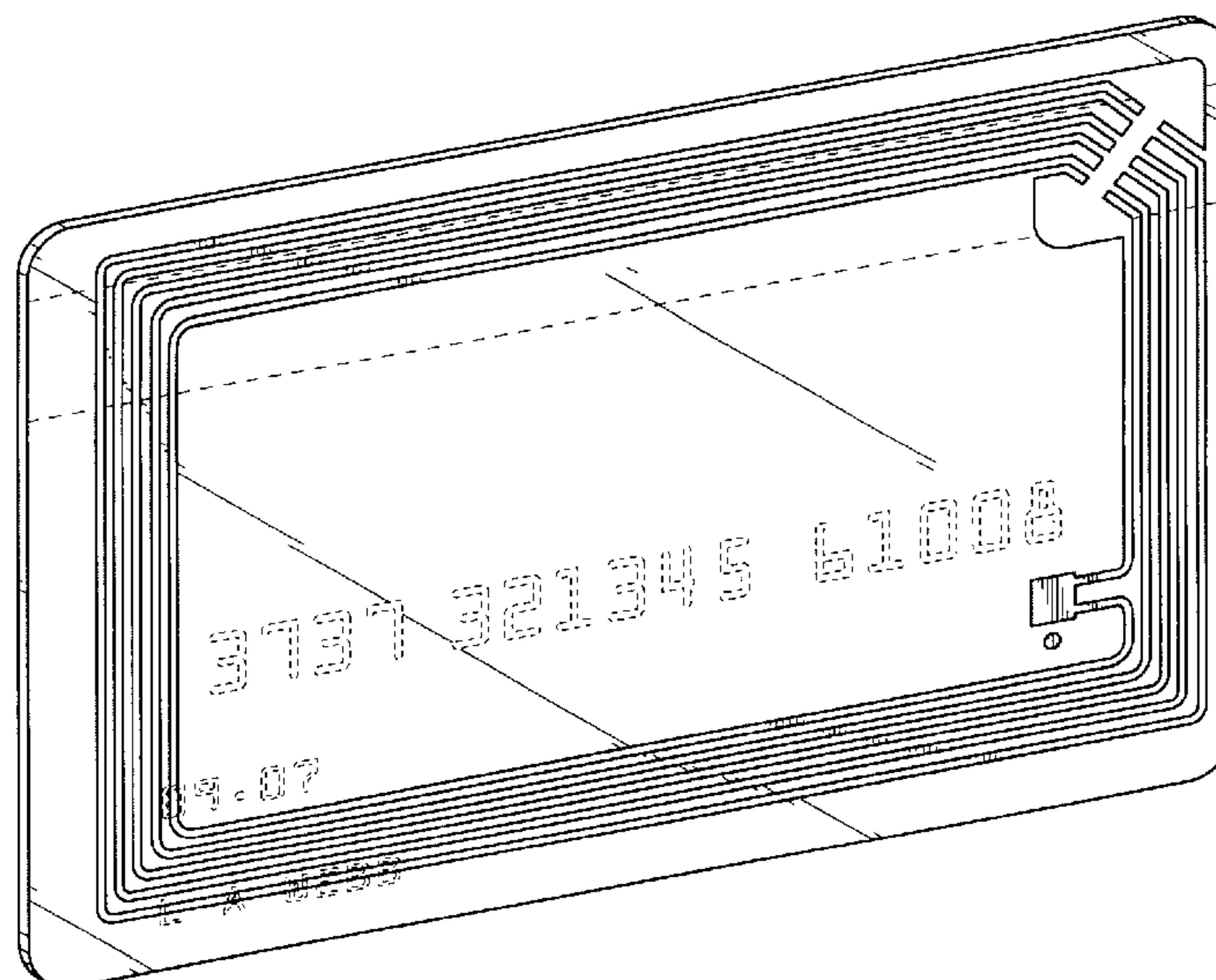
The ornamental design for a transparent card with an antenna, as shown and described.

**DESCRIPTION**

FIG. 1 is a perspective view of a transparent card with an antenna showing our new design;  
 FIG. 2 is a top plan view of the card of FIG. 1;  
 FIG. 3 is a bottom plan view of the card of FIG. 1;  
 FIG. 4 is a right side elevational view thereof;  
 FIG. 5 is a left side elevational view thereof;  
 FIG. 6 is a front elevational view thereof; and,  
 FIG. 7 is a rear elevational view thereof.

The broken lines showing environment in the drawings are shown for illustrative purposes only and form no part of the claimed design.

**1 Claim, 3 Drawing Sheets**



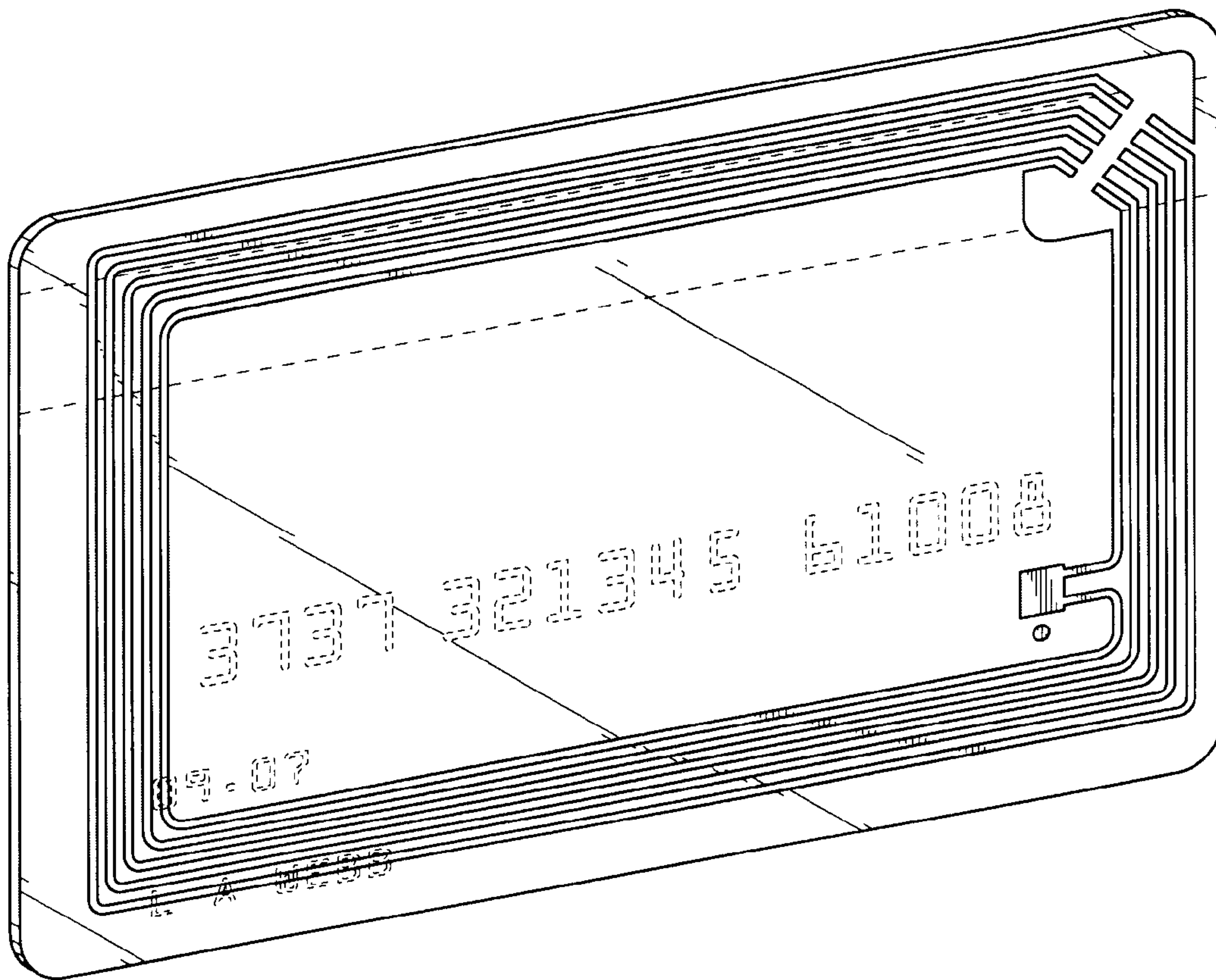


FIG.1

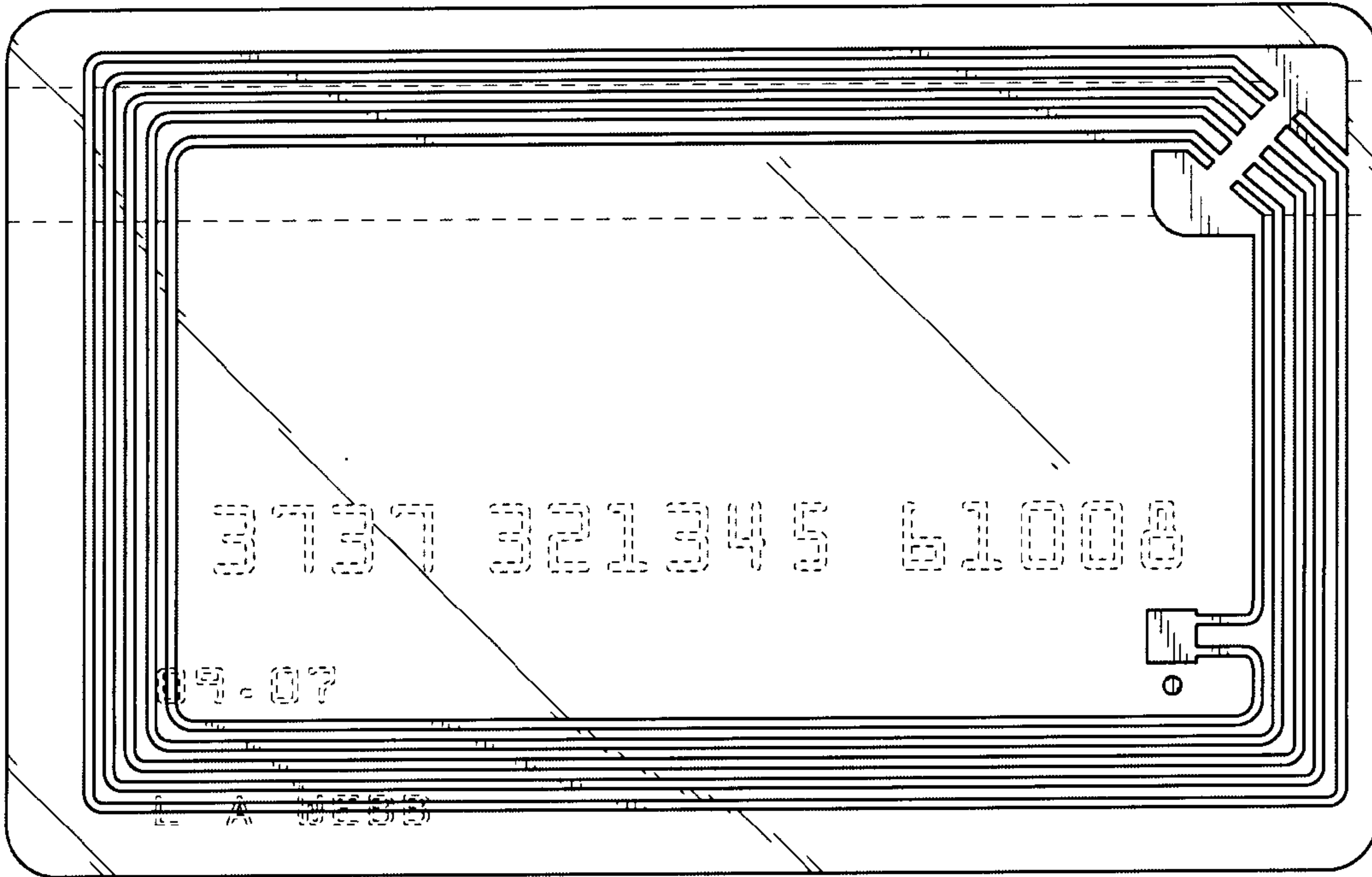


FIG.2

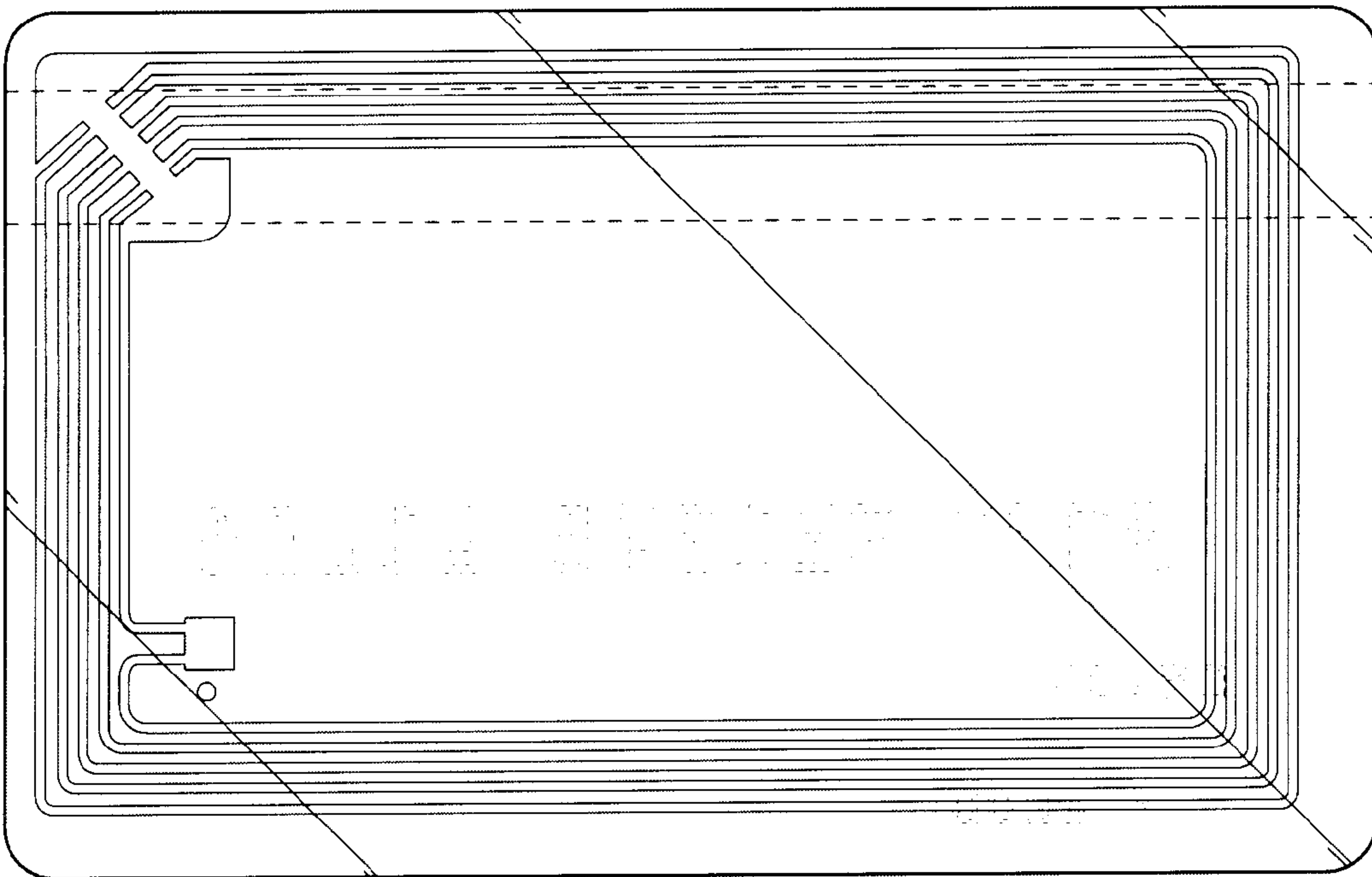


FIG.3

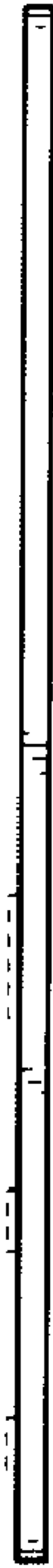


FIG. 4



FIG. 5



FIG. 6

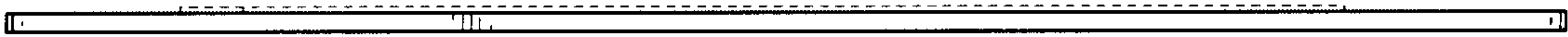


FIG. 7