

US00D510102S

(12) **United States Design Patent**
Gray

(10) **Patent No.:** **US D510,102 S**

(45) **Date of Patent:** **** Sep. 27, 2005**

(54) **GIFT CARD ENCLOSURE**

6,694,657 B2 * 2/2004 Tsao 40/789

(75) **Inventor:** **Eric N. Gray**, Layton, UT (US)

* cited by examiner

(73) **Assignee:** **Utah Paper Box Company**, Salt Lake City, UT (US)

Primary Examiner—Jeffrey Asch

Assistant Examiner—Elizabeth Albert

(**) **Term:** **14 Years**

(74) *Attorney, Agent, or Firm*—Morriss O’Bryant Compagni

(21) **Appl. No.:** **29/212,949**

(57) **CLAIM**

(22) **Filed:** **Sep. 10, 2004**

The ornamental design for a gift card enclosure, as shown and described.

(51) **LOC (8) Cl.** **08-01**

(52) **U.S. Cl.** **D19/2**

(58) **Field of Search** D19/1, 2, 3, 4, D19/5, 6, 7, 8; 206/215; 229/68.1, 71, 72, 75, 76, 92, 92.5, 92.7, 92.8, 300, 303, 313; 283/106, 116; 493/216; D6/407; D9/418, 433

DESCRIPTION

(56) **References Cited**

U.S. PATENT DOCUMENTS

505,001	A	*	9/1893	Ralph	229/71
1,103,758	A	*	7/1914	Glover	229/68.1
1,421,097	A	*	6/1922	Pente	40/754
2,108,343	A	*	2/1938	McAllister	229/75
2,606,653	A	*	8/1952	Knudson	206/215
2,842,050	A	*	7/1958	Wright	101/473
D262,357	S	*	12/1981	Kohler	D9/433
D480,754	S	*	10/2003	Berger	D19/1

FIG. 1 is a perspective view of the present invention in an unfolded, two-dimensional state;

FIG. 2 is a plan view of the invention shown in FIG. 1;

FIG. 3 is an end view of the bottom edge of the invention as shown in FIG. 2;

FIG. 4 is an end view of the top edge of the invention as shown in FIG. 2;

FIG. 5 is an end view of the right edge of the invention as shown in FIG. 2;

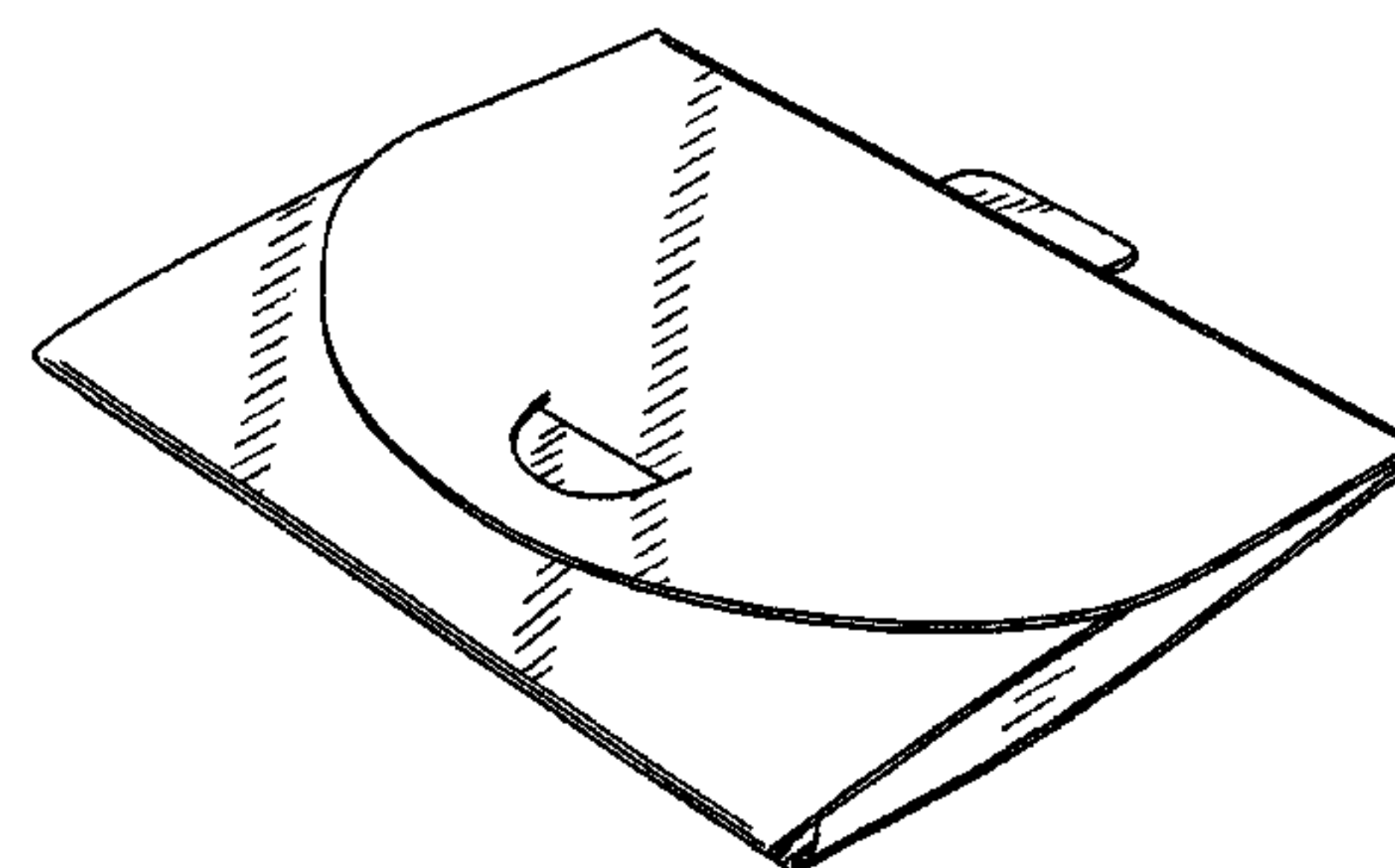
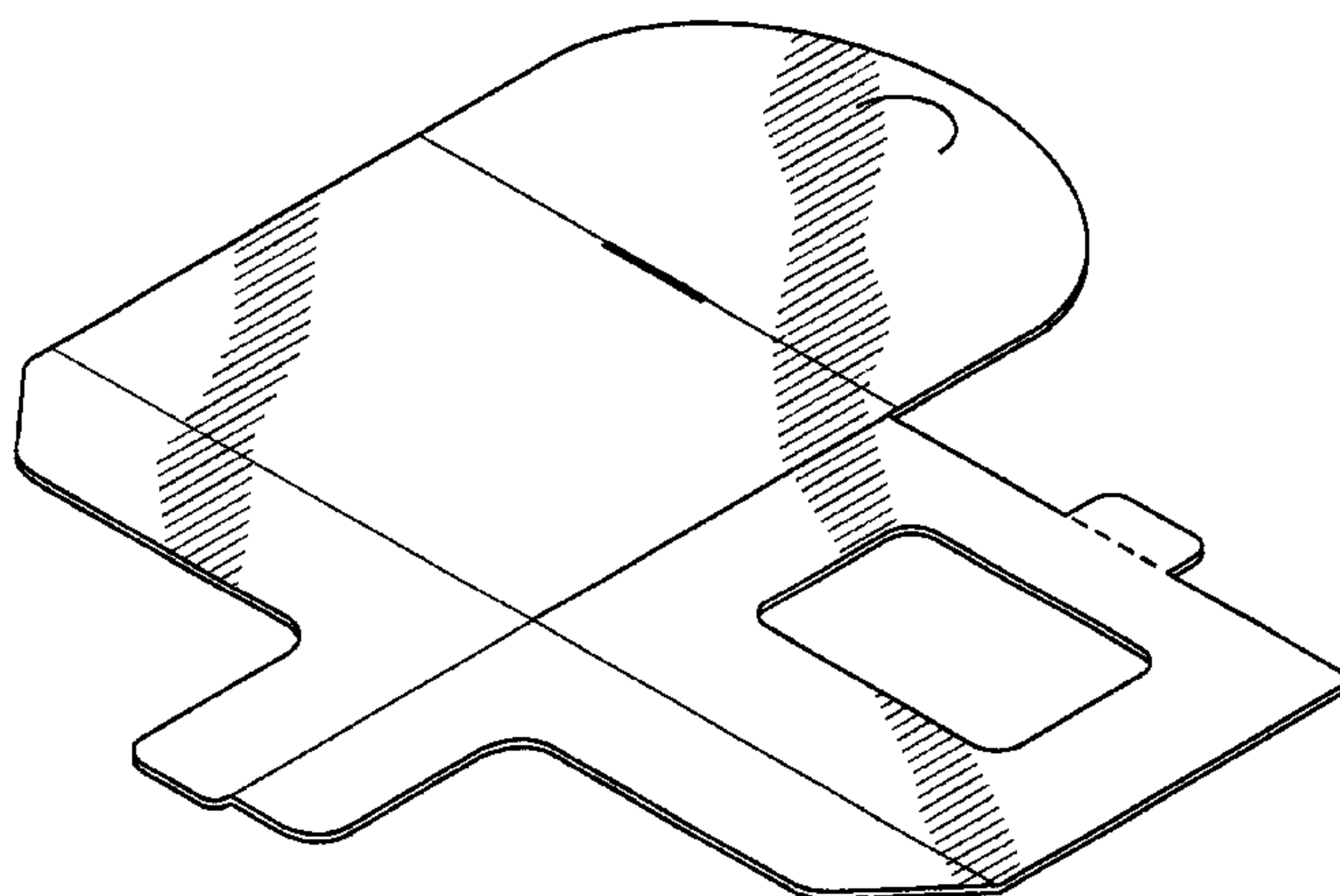
FIG. 6 is an end view of the left edge of the invention as shown in FIG. 2;

FIG. 7 is a perspective view of the invention when folded and in an “open” state; and,

FIG. 8 is a perspective view of the invention when folded and in a “closed” state.

The broken lines on the tab in FIGS. 1 and 2 represent a fold line.

1 Claim, 3 Drawing Sheets



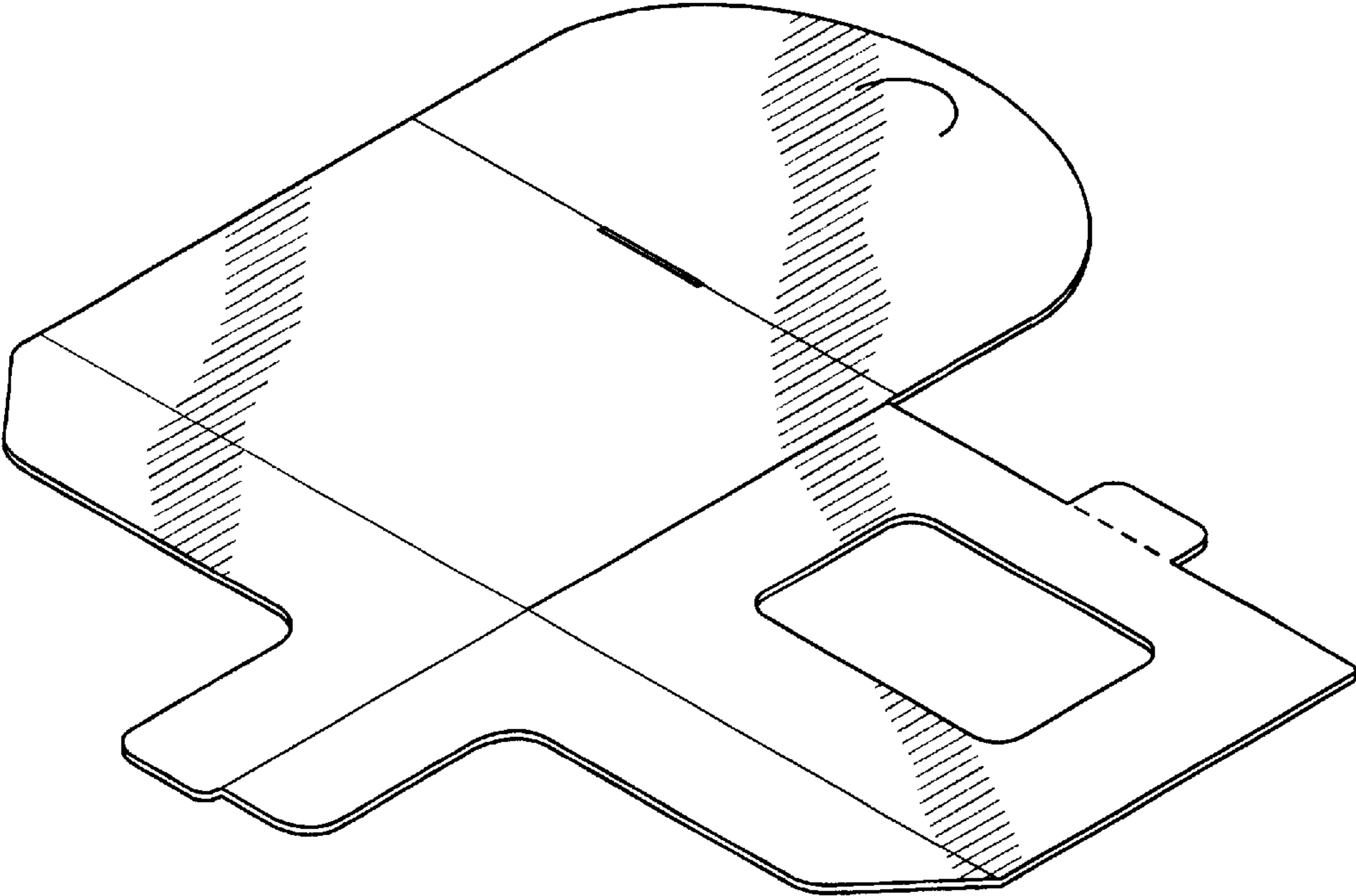


FIG. 1

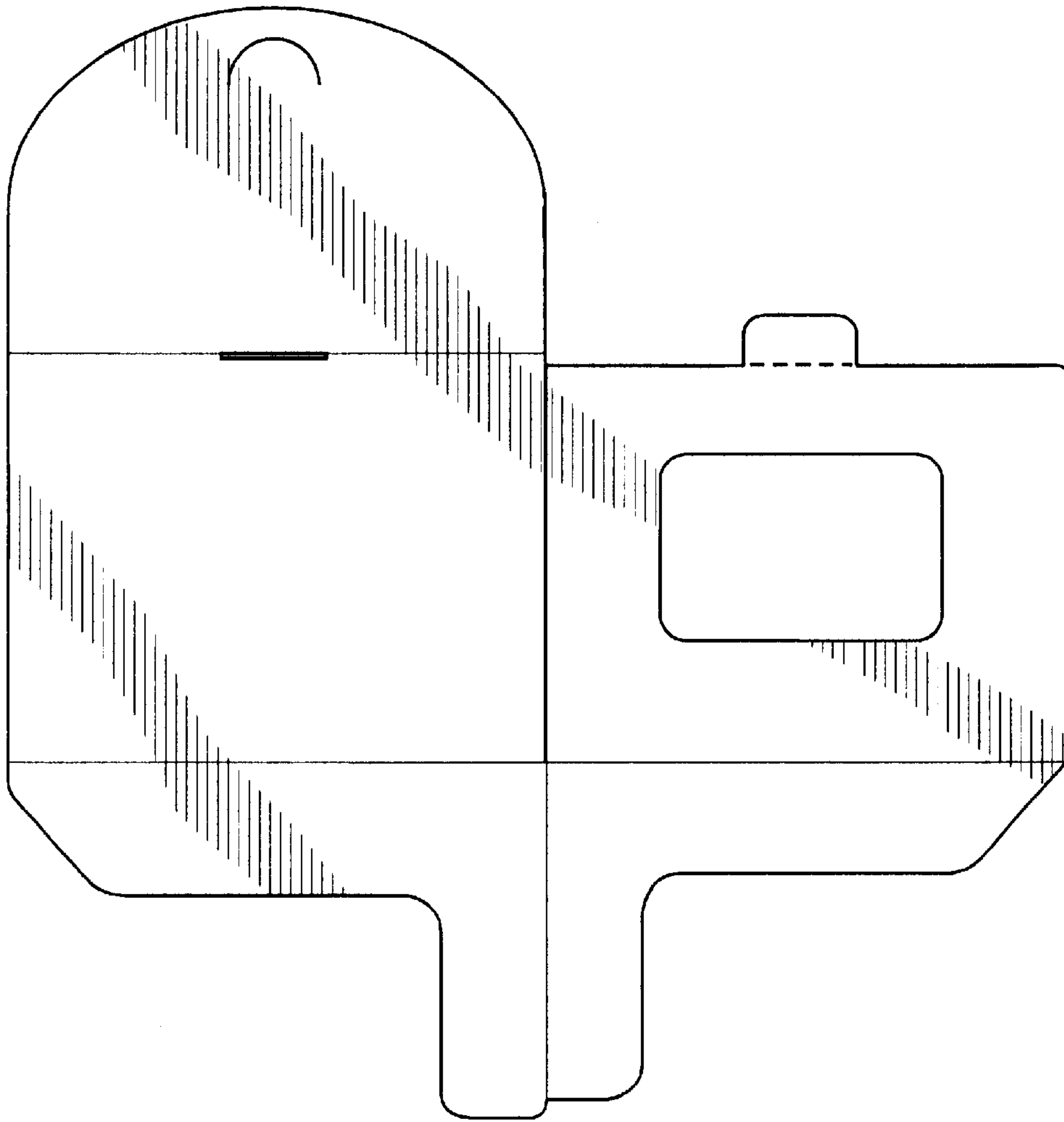


FIG. 2



FIG. 3



FIG. 4



FIG. 5



FIG. 6

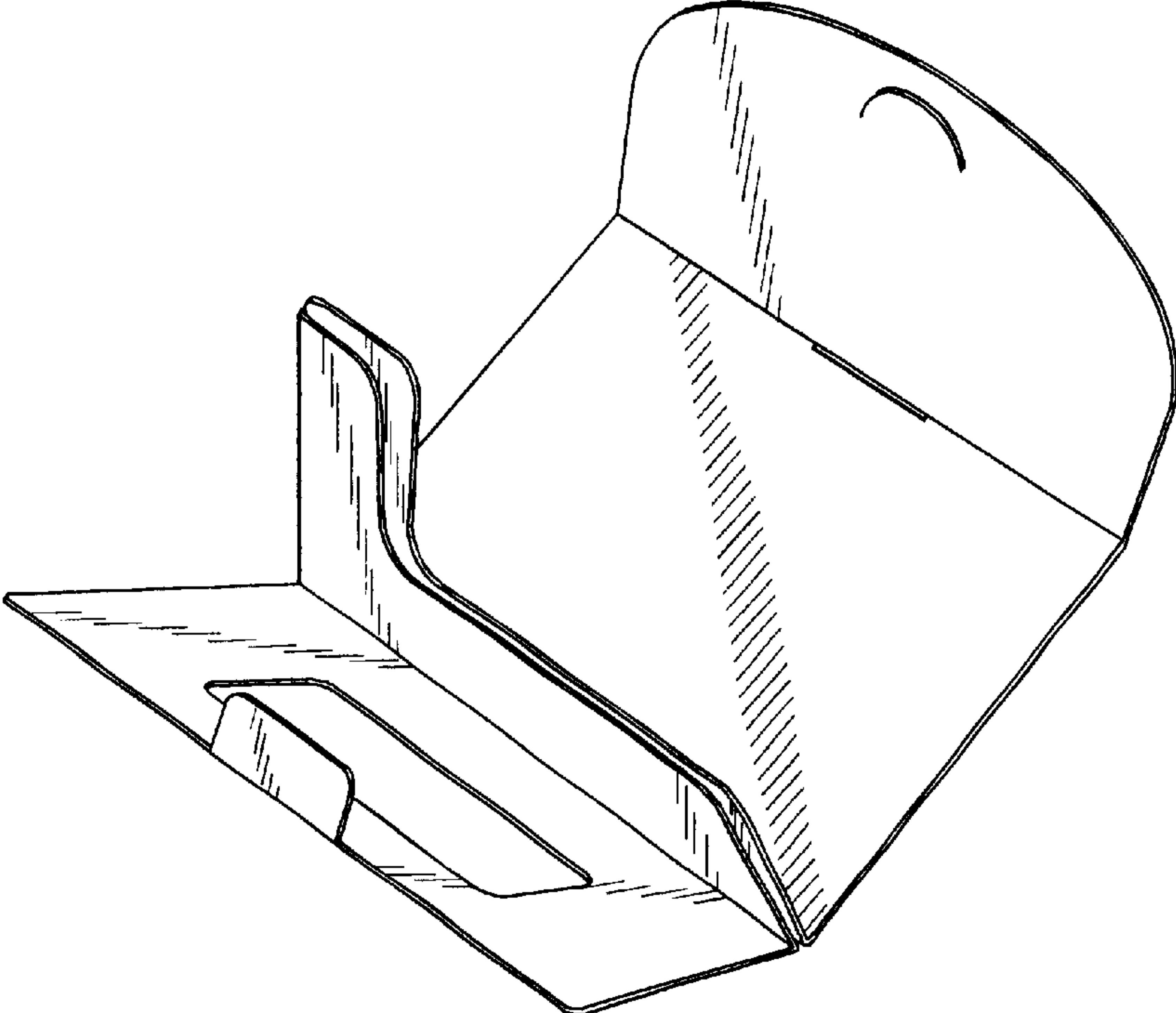


FIG. 7

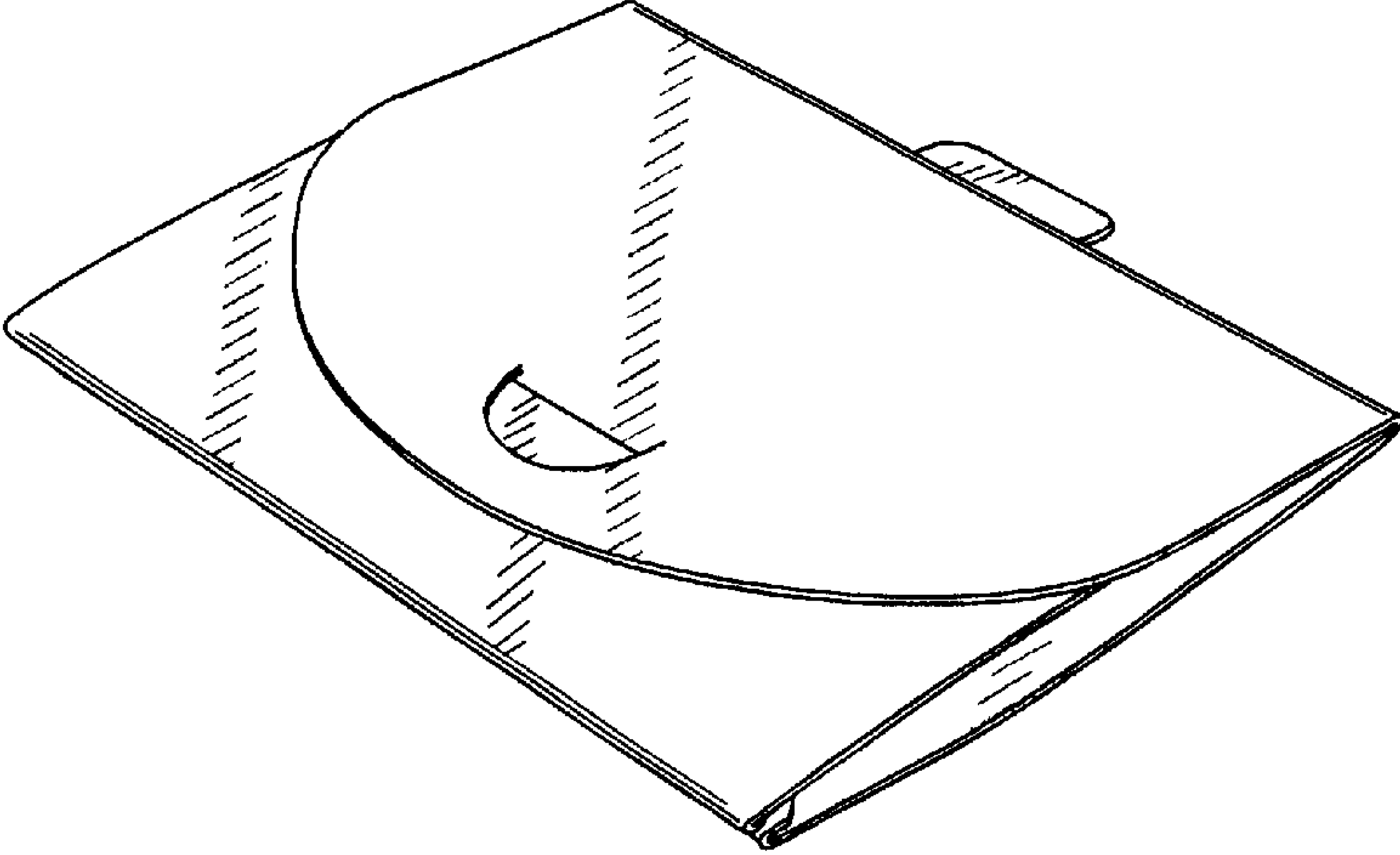


FIG. 8