



US00D510097S

(12) **United States Design Patent**  
**Meinzer**

(10) **Patent No.: US D510,097 S**  
(45) **Date of Patent: \*\* Sep. 27, 2005**

(54) **BINOCULARS**

(75) Inventor: **Manfred Meinzer**, Hemer (DE)

(73) Assignee: **Leica Camera AG**, Solms (DE)

(\*\*) Term: **14 Years**

(21) Appl. No.: **29/214,099**

(22) Filed: **Sep. 29, 2004**

(30) **Foreign Application Priority Data**

Apr. 9, 2004 (EP) ..... 000160742

(51) **LOC (8) Cl.** ..... **16-06**

(52) **U.S. Cl.** ..... **D16/133**

(58) **Field of Search** ..... D16/130, 133;  
359/408, 409, 410, 411, 412, 413, 414,  
415, 416, 418, 419

(56) **References Cited**

**U.S. PATENT DOCUMENTS**

D195,146 S	*	4/1963	Jensen	.....	D16/133
3,604,779 A	*	9/1971	Reinhold	.....	359/415
D223,298 S	*	4/1972	Senda et al.	.....	D16/133
D238,304 S	*	12/1975	Hengst et al.	.....	D16/133
D240,332 S	*	6/1976	Altemhelmer	.....	D16/133
4,186,992 A	*	2/1980	Kamakura	.....	359/416
RE30,665 E	*	7/1981	Altenheiner et al.	.....	359/416
4,329,013 A	*	5/1982	Hengst	.....	359/418
D272,361 S	*	1/1984	Hengst et al.	.....	D16/133

D287,369 S	*	12/1986	Janke et al.	.....	D16/133
D292,412 S	*	10/1987	Janke et al.	.....	D16/133
D440,584 S	*	4/2001	Lee	.....	D16/133
D472,257 S	*	3/2003	Fujii	.....	D16/133

\* cited by examiner

*Primary Examiner*—Paula A. Greene

(74) *Attorney, Agent, or Firm*—Crowell & Moring LLP

(57) **CLAIM**

The ornamental design for binoculars, as shown and described.

**DESCRIPTION**

FIG. 1 is a front perspective view of binoculars according to my novel design;

FIG. 2 is a side view of the binoculars according to my novel design;

FIG. 3 is a top view of the binoculars according to my novel design;

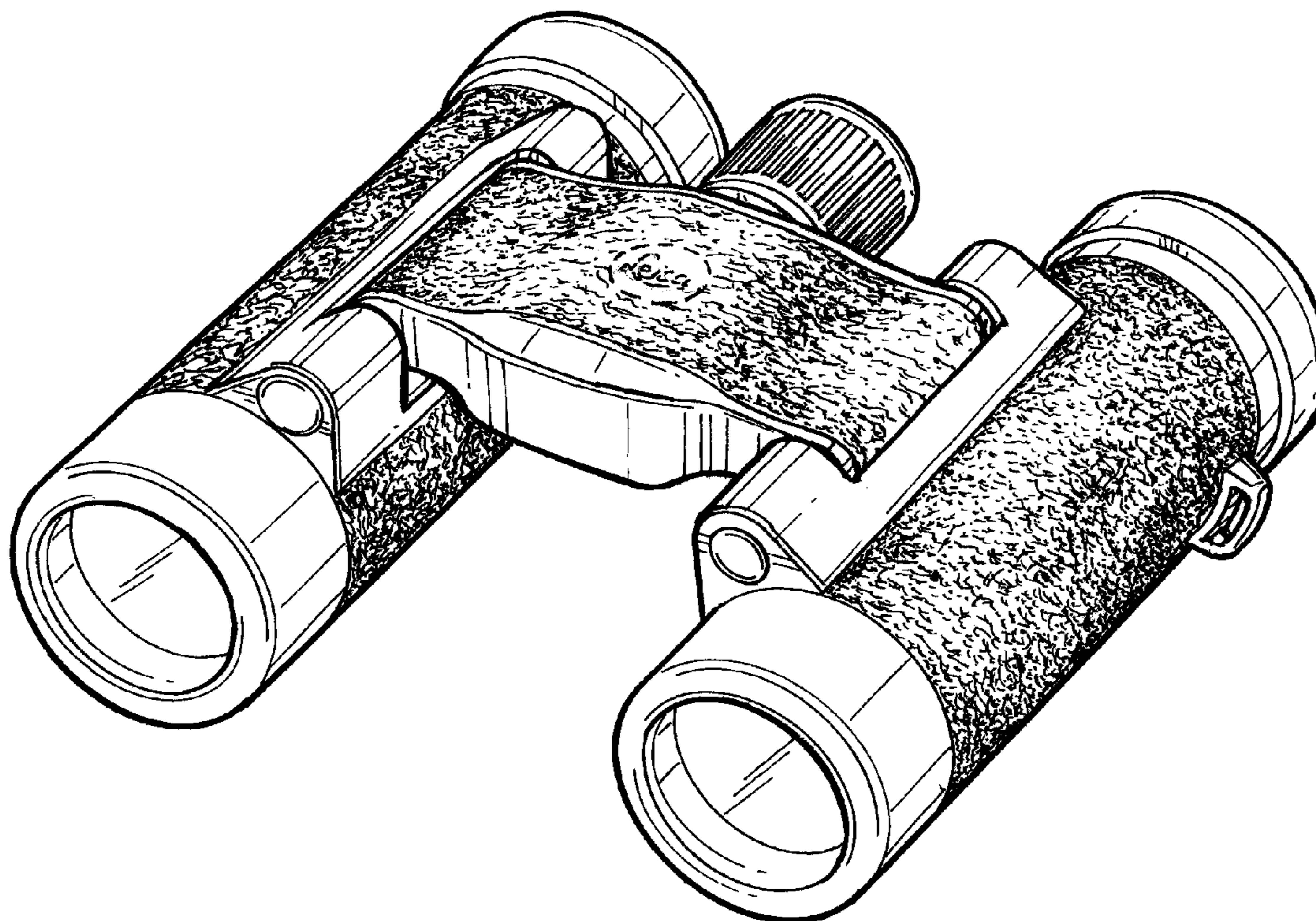
FIG. 4 is a rear view of the binoculars according to my novel design;

FIG. 5 is a bottom view of the binoculars according to my novel design; and,

FIG. 6 is a front view of the binoculars according to my novel design.

The broken lines are for illustrative purposes only and form no part of the claimed design.

**1 Claim, 3 Drawing Sheets**



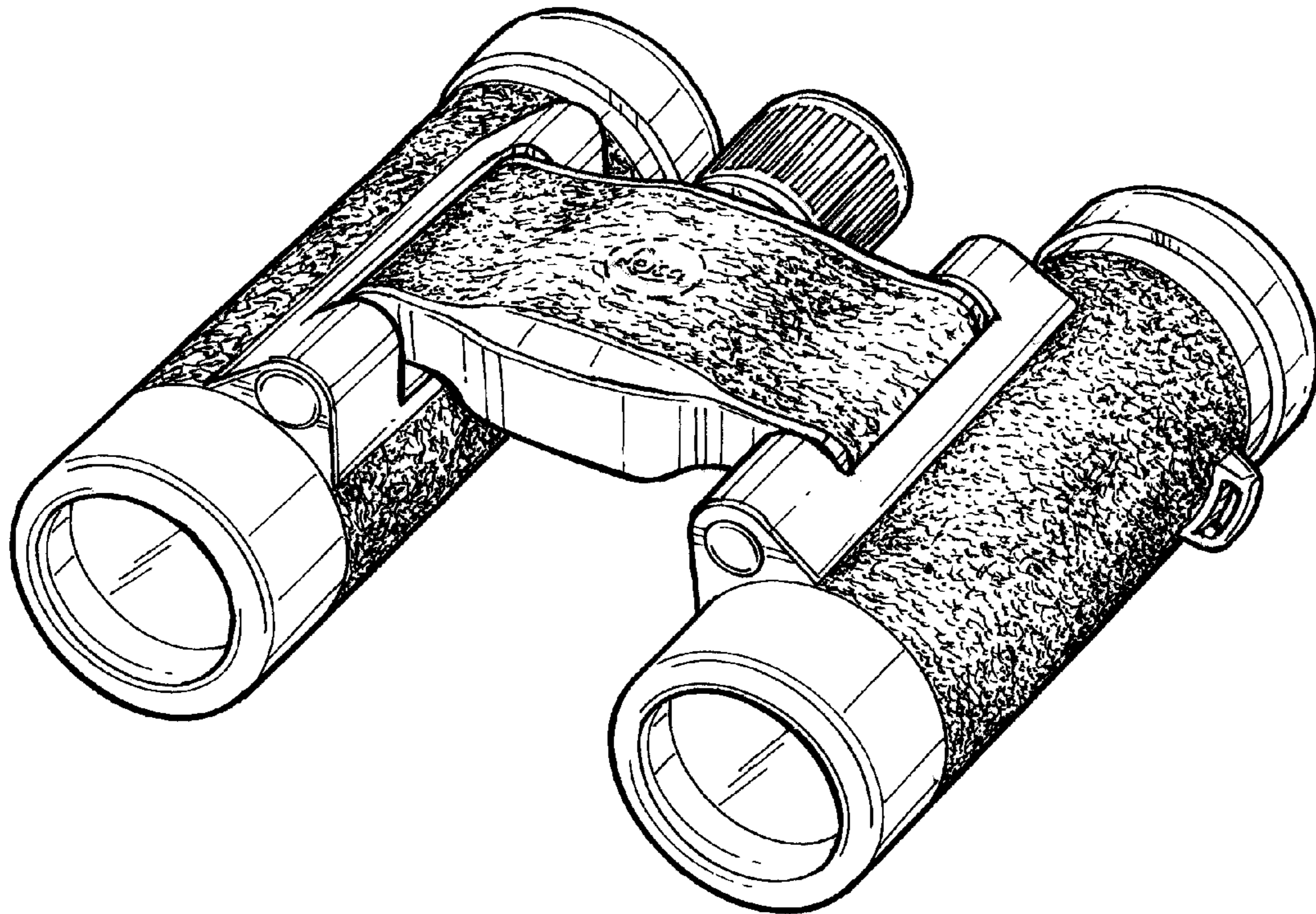


FIG. 1

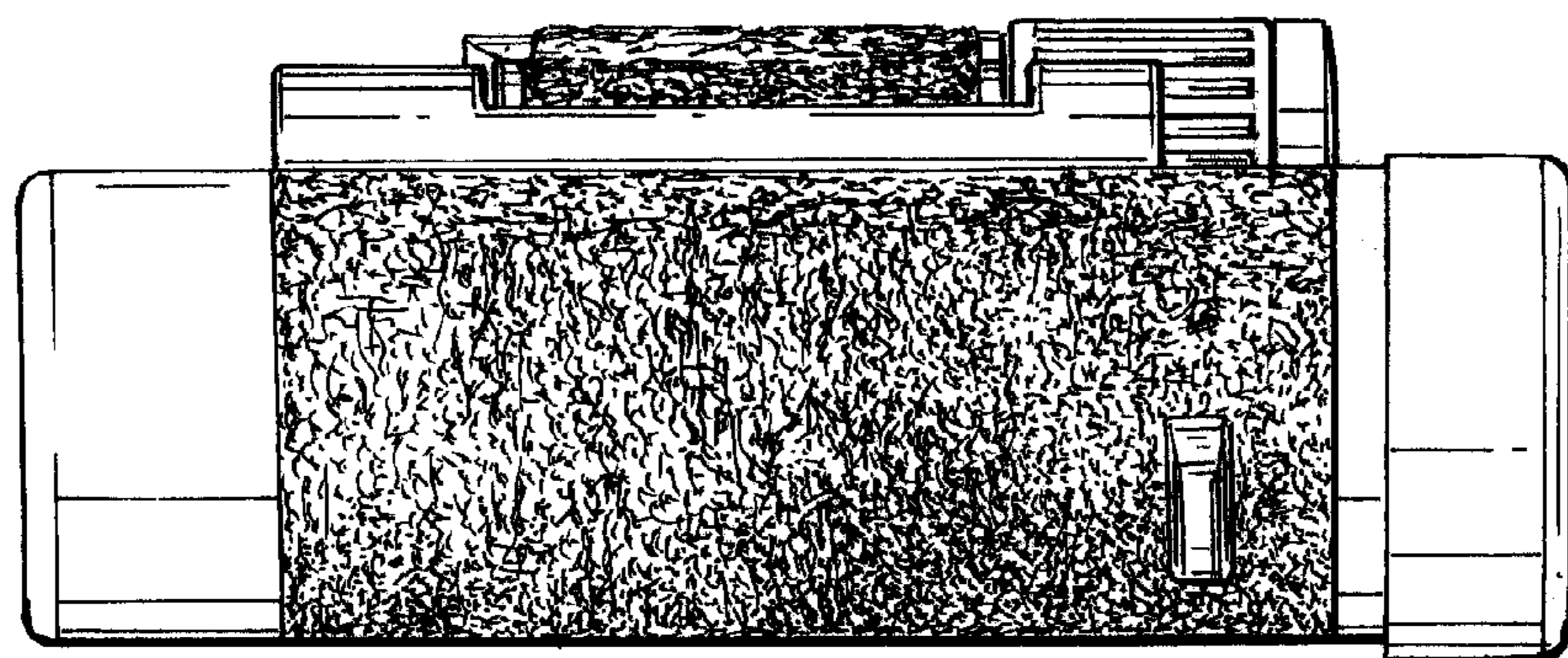


FIG. 2

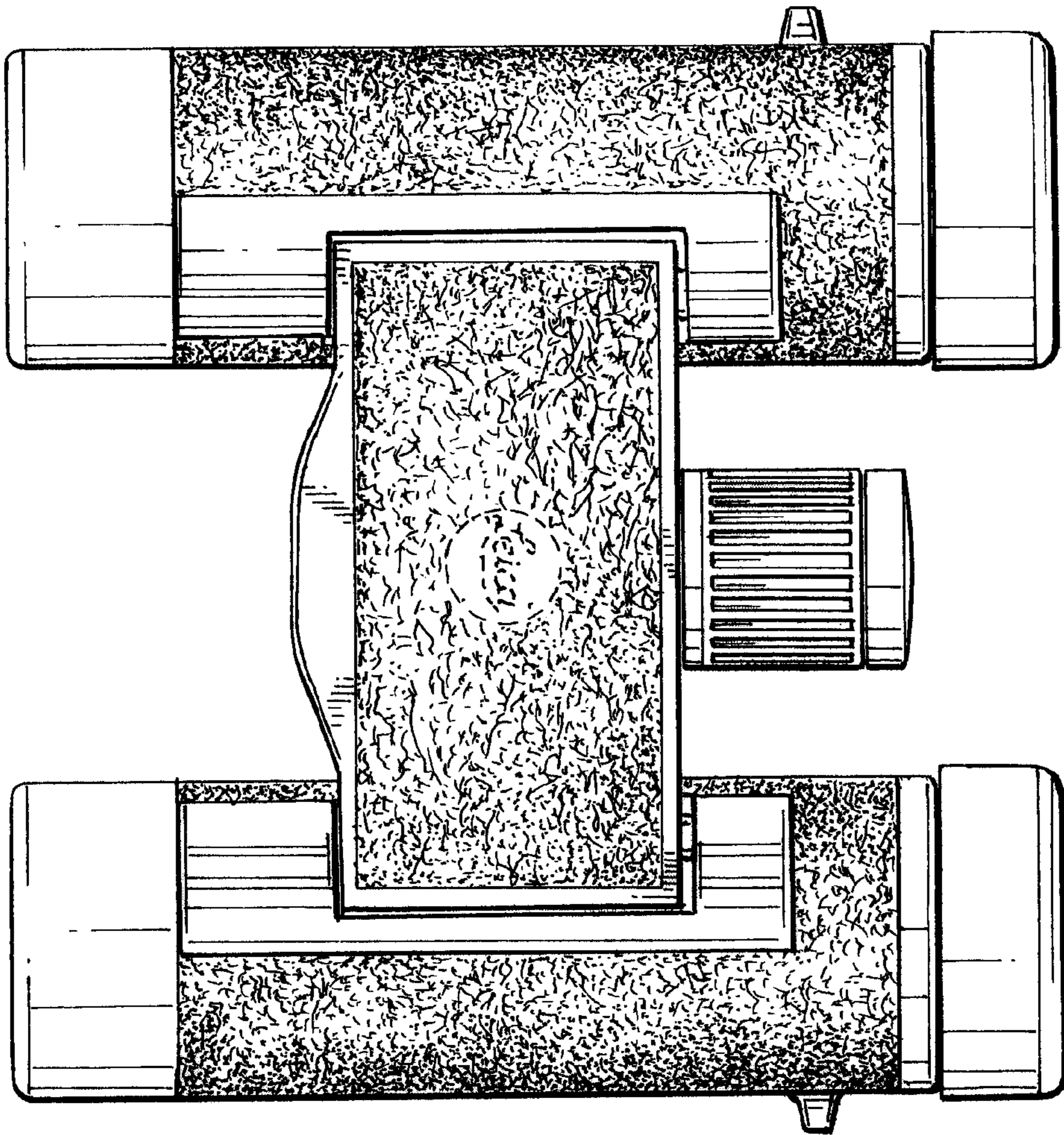


FIG. 3

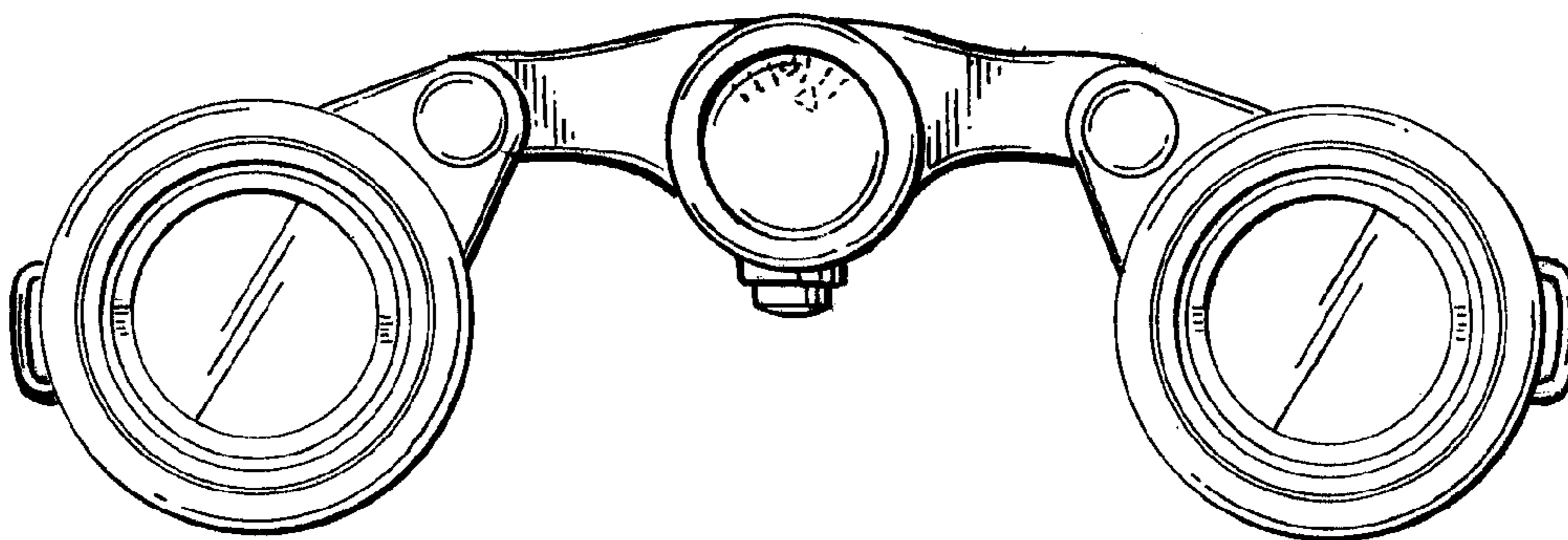


FIG. 4

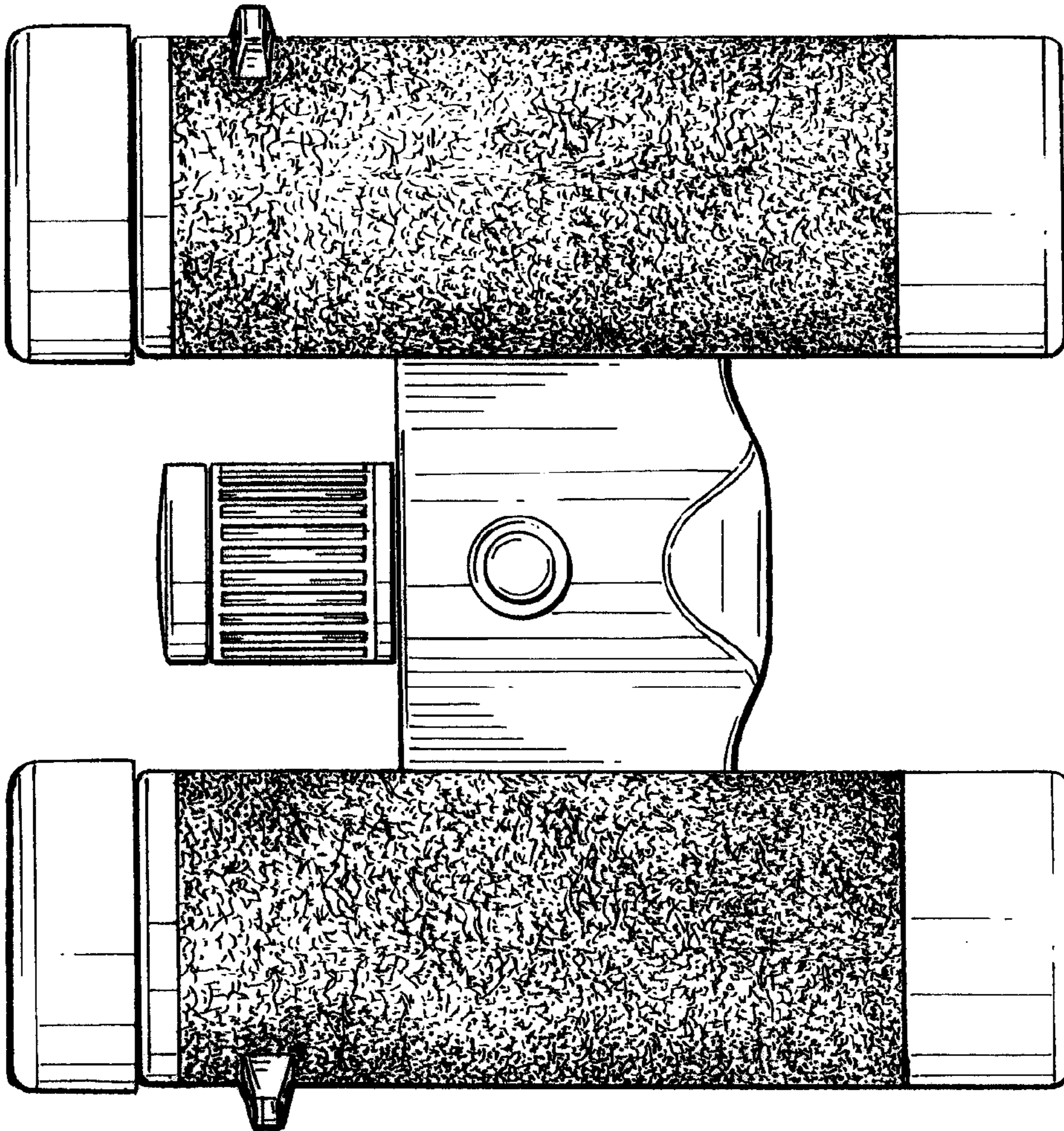


FIG. 5

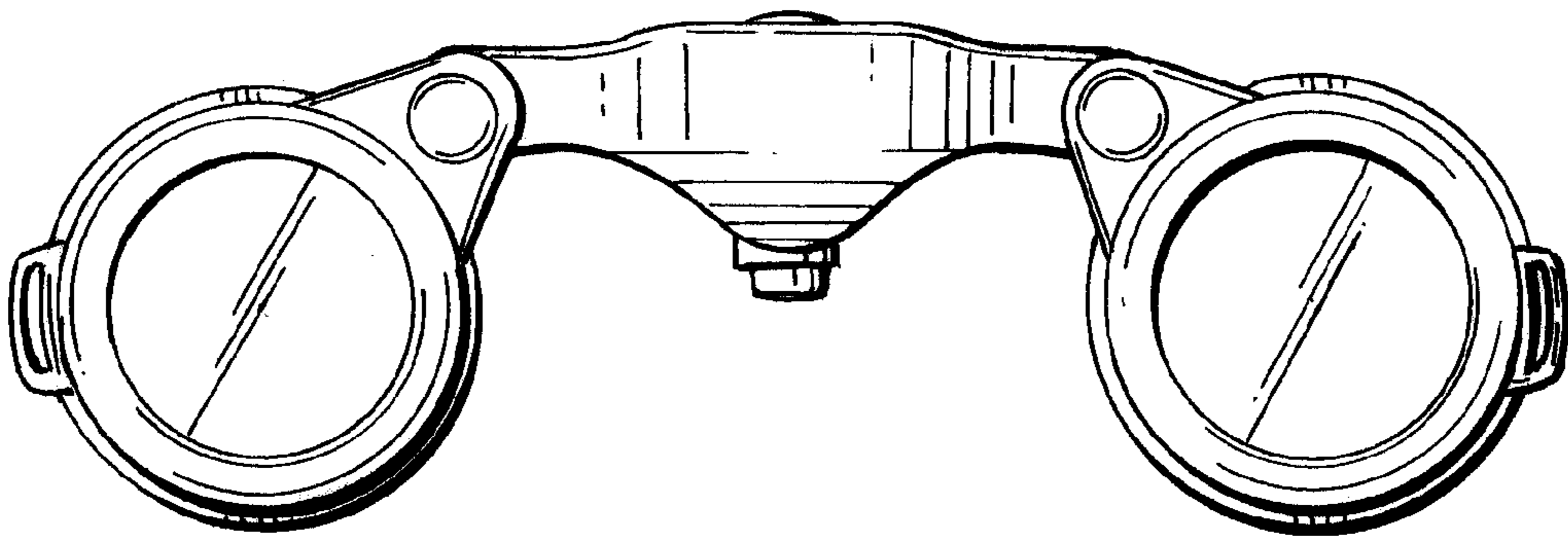


FIG. 6