

US00D510096S

(12) **United States Design Patent**
Wu

(10) **Patent No.:** **US D510,096 S**

(45) **Date of Patent:** **** Sep. 27, 2005**

(54) **TILE CUTTER**

(75) **Inventor:** **Shuming Wu, Jiangsu (CN)**

(73) **Assignee:** **Nanjing Chervon Industry Co., Ltd.,
Jiangsu (CN)**

(**) **Term:** **14 Years**

(21) **Appl. No.:** **29/210,129**

(22) **Filed:** **Jul. 28, 2004**

(30) **Foreign Application Priority Data**

Feb. 5, 2004 (CN) 200430016078

(51) **LOC (8) Cl.** **15-09**

(52) **U.S. Cl.** **D15/133**

(58) **Field of Search** D15/133; 83/169,
83/450, 468.7, 477.2, 478, 522.3, 522.1,
432, 435, 477; 269/318, 166, 180; 125/13.01

(56) **References Cited**

U.S. PATENT DOCUMENTS

D354,757 S * 1/1995 Wixey D15/133

D400,896 S * 11/1998 Hepworth D15/133

D453,345 S * 2/2002 Chen D15/133

6,360,797 B1 * 3/2002 Brazell et al. 83/477.2

6,439,218 B1 * 8/2002 Hulett 125/13.01

D479,539 S * 9/2003 Chen D15/133

D492,706 S * 7/2004 Hepworth D15/133

* cited by examiner

Primary Examiner—Antoine D. Davis

(74) *Attorney, Agent, or Firm*—Lowe Hauptman & Berner,
LLP

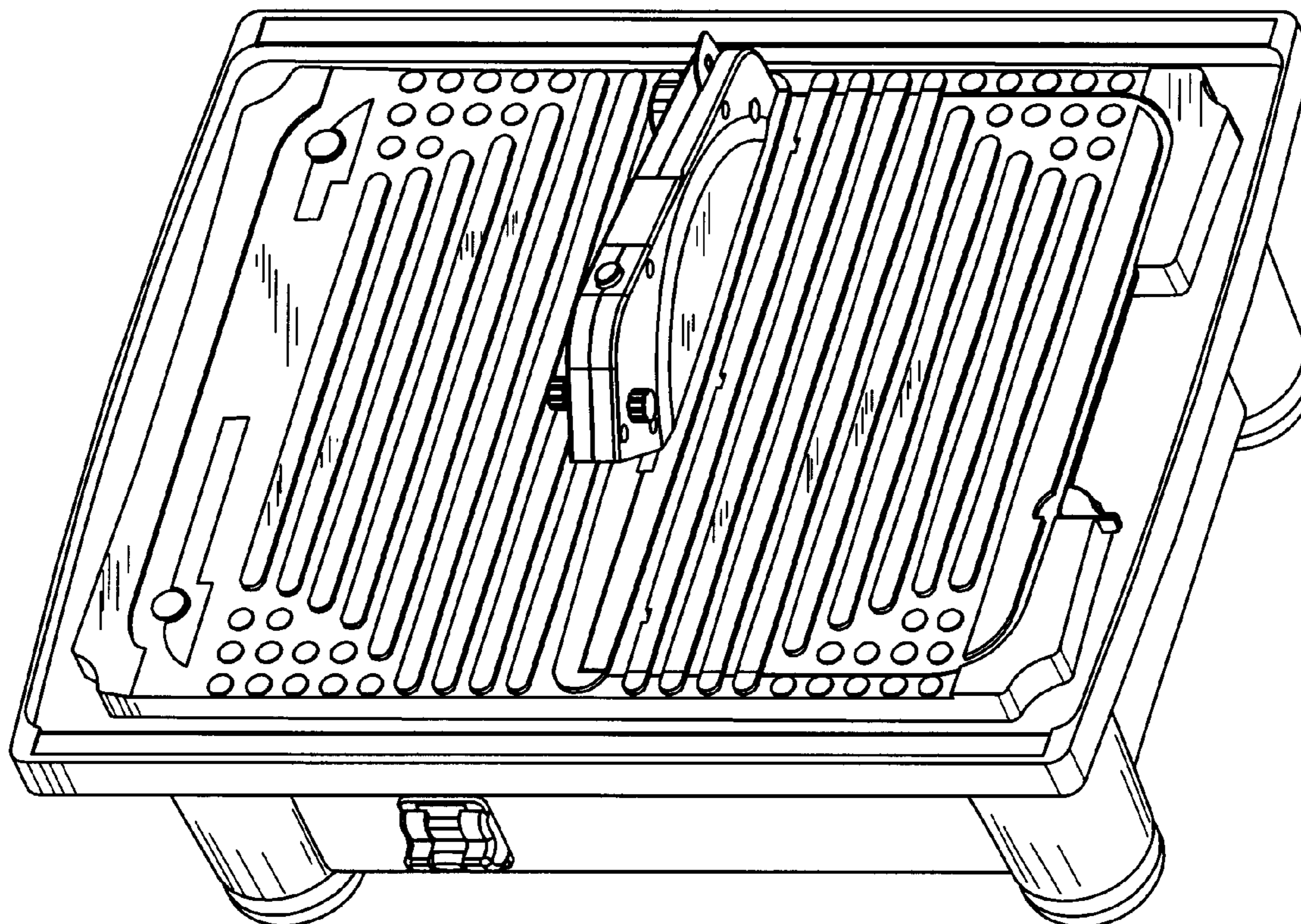
(57) **CLAIM**

The ornamental design for tile cutter, as shown and
described.

DESCRIPTION

FIG. 1 is a left elevational side view of the design;
FIG. 2 is a right elevational side view of the tile cutter in
FIG. 1;
FIG. 3 is a front elevational view of the tile cutter in FIG. 1;
FIG. 4 is a rear elevational view of the tile cutter in FIG. 1;
FIG. 5 is a bottom plan view of the tile cutter in FIG. 1;
FIG. 6 is a top plan view of the tile cutter in FIG. 1; and,
FIG. 7 is a perspective view of the tile cutter of FIG. 1.

1 Claim, 5 Drawing Sheets



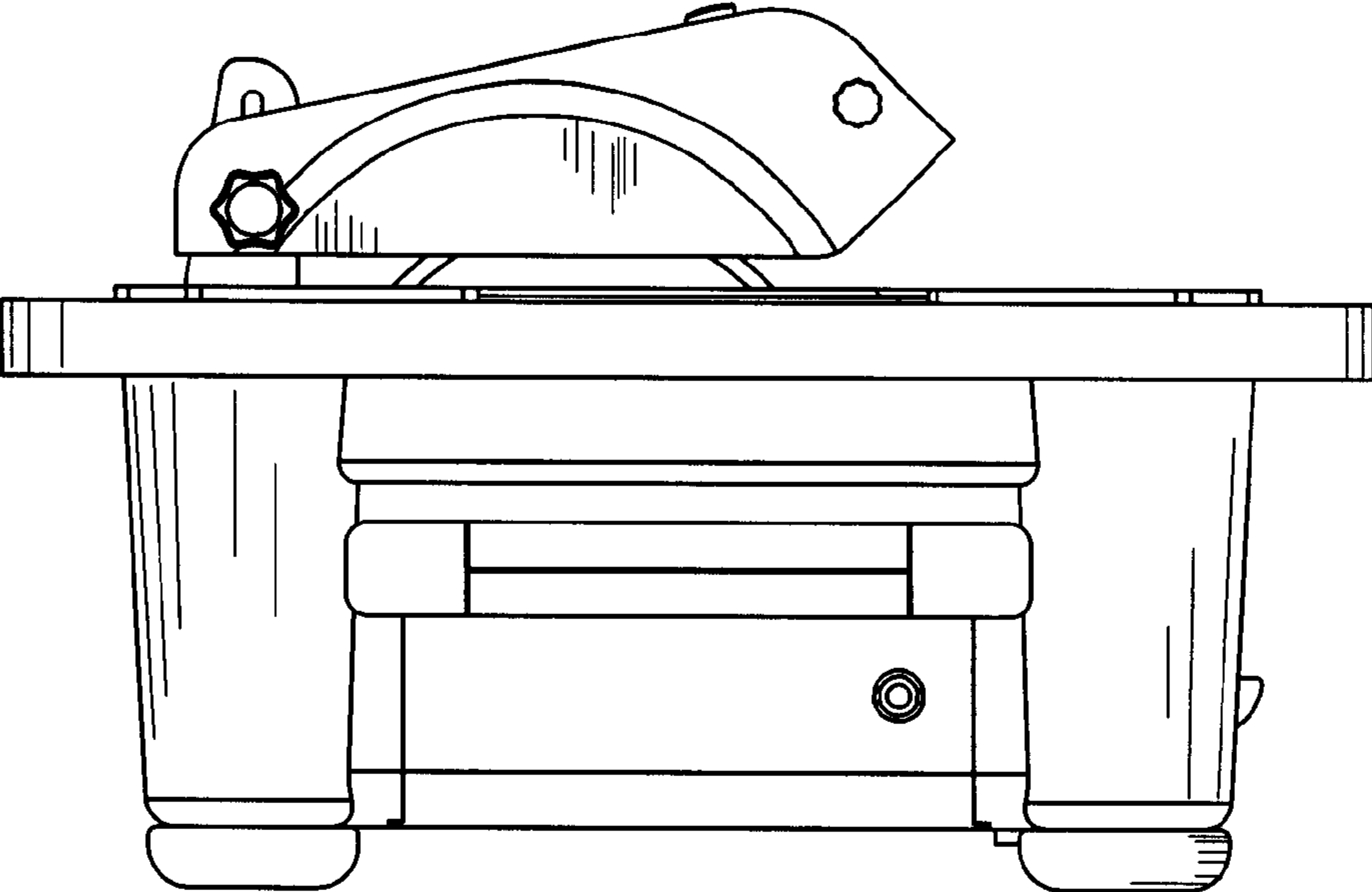


FIG 1

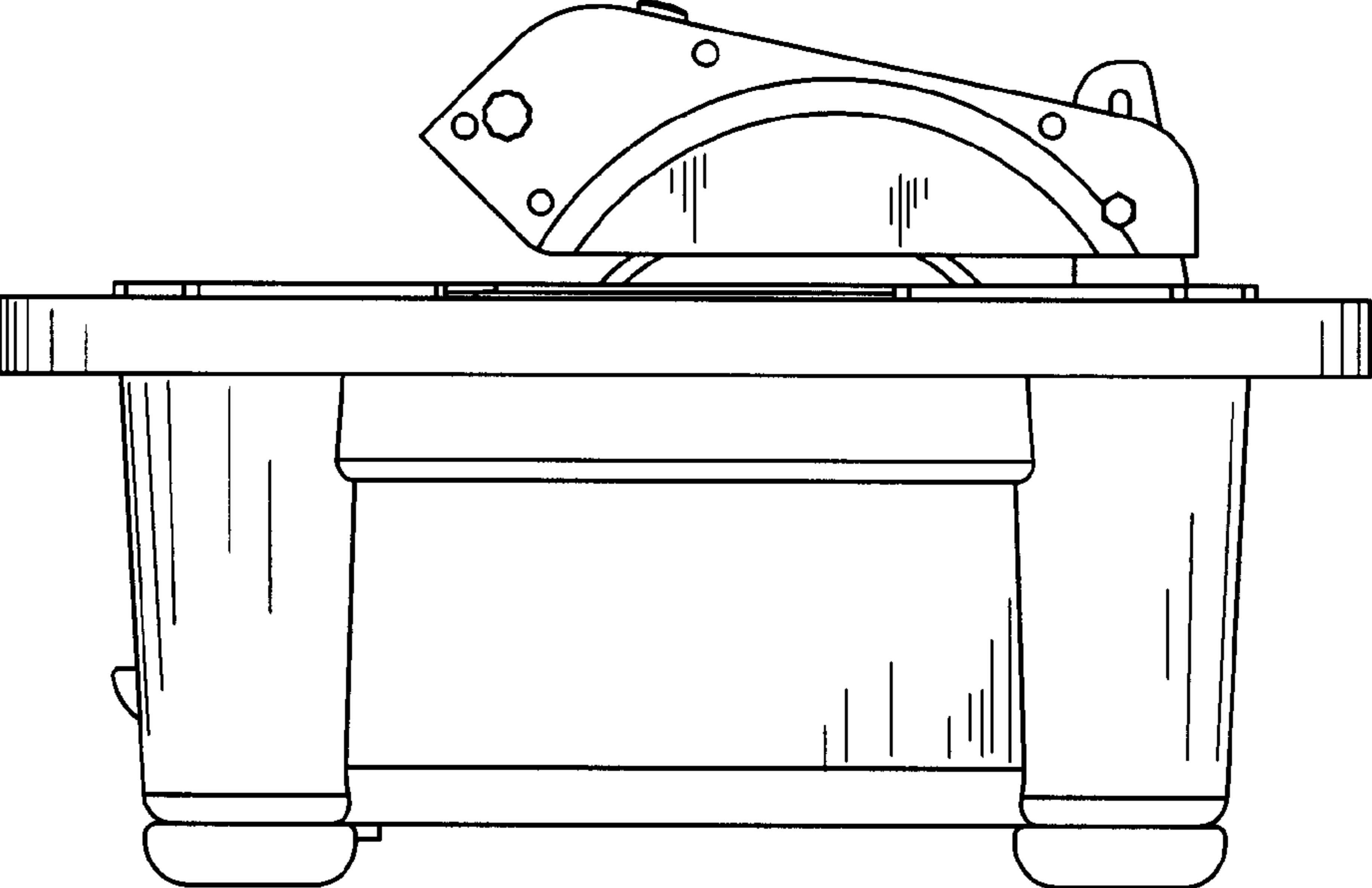


FIG 2

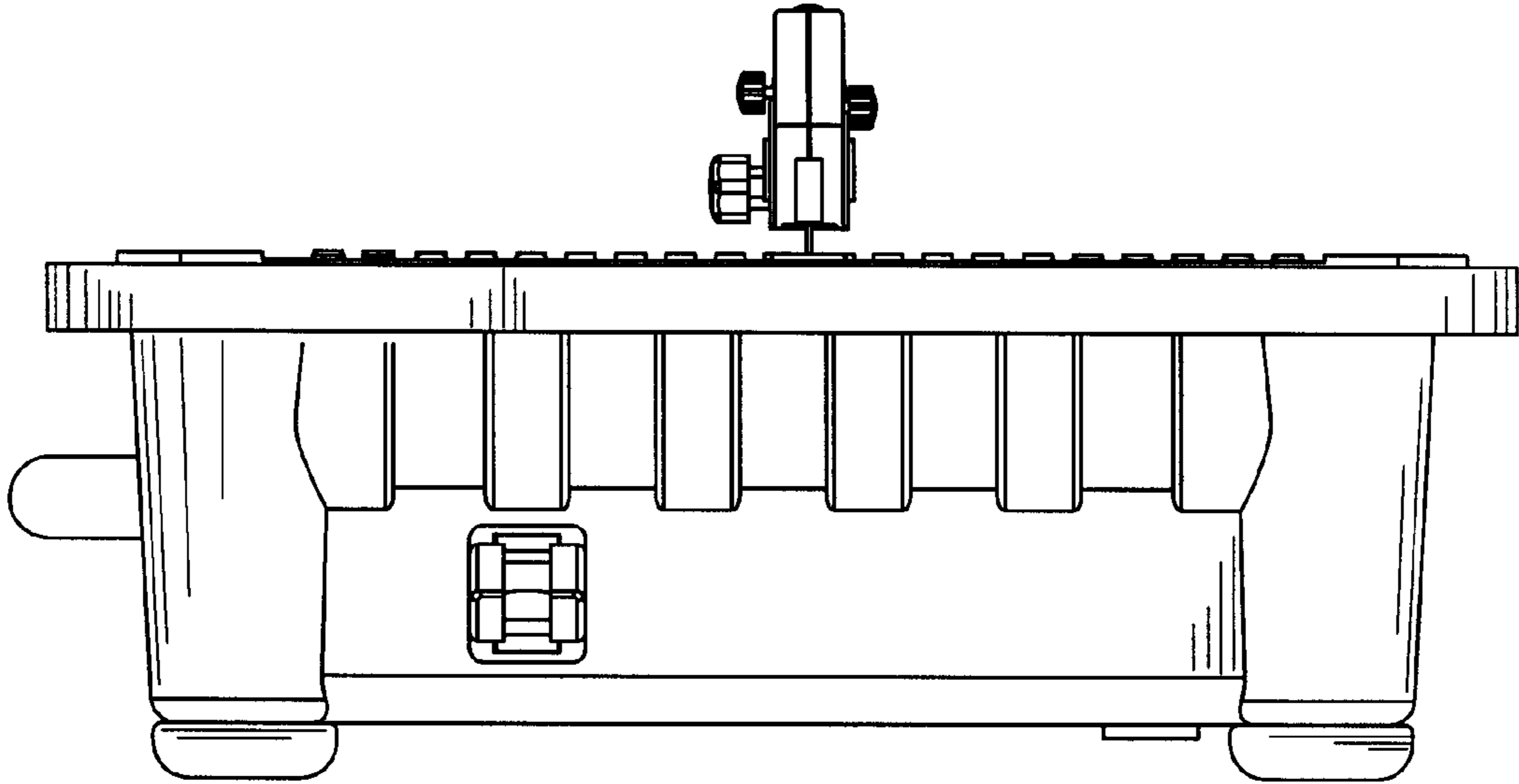


FIG 3

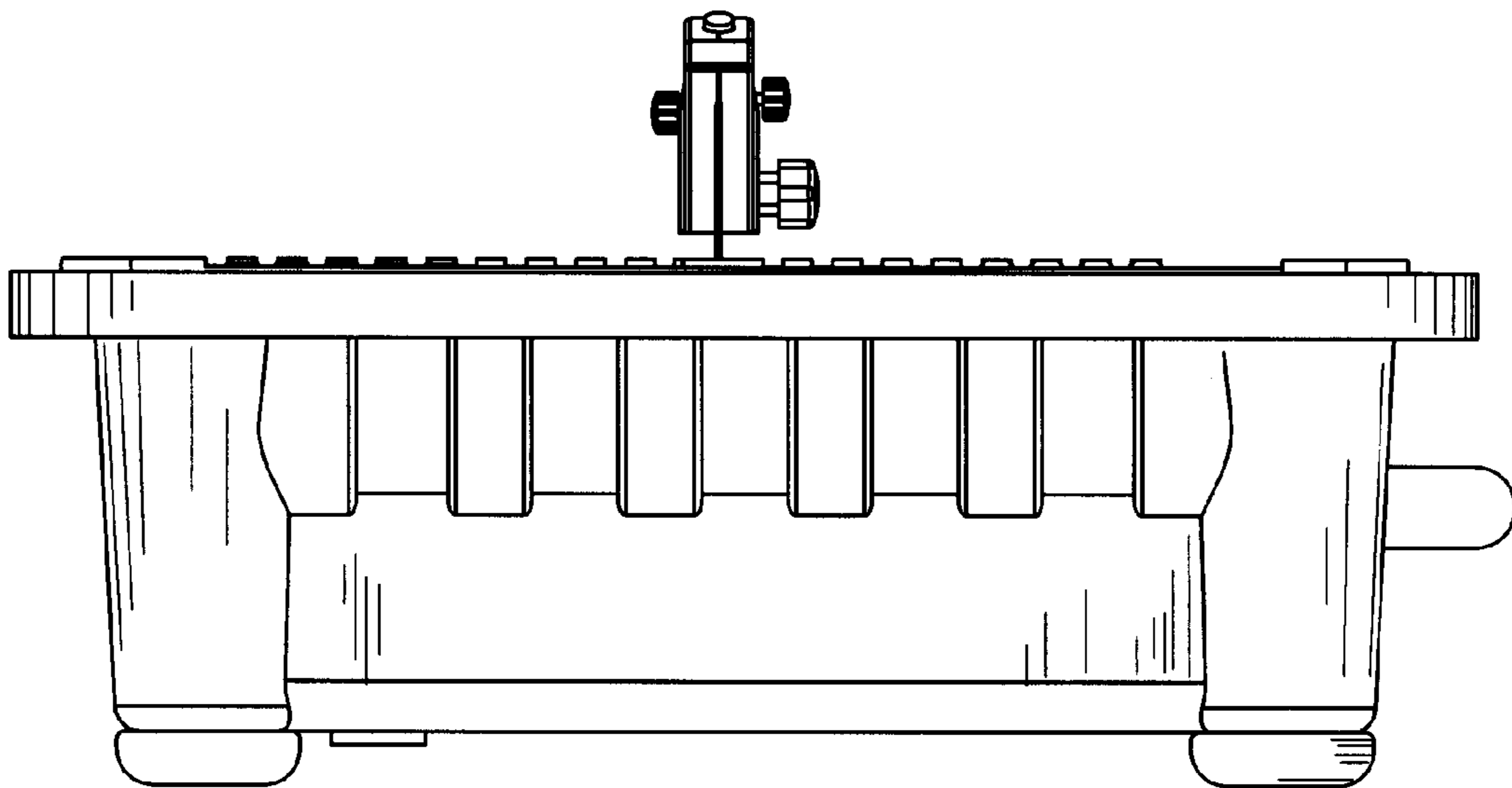


FIG 4

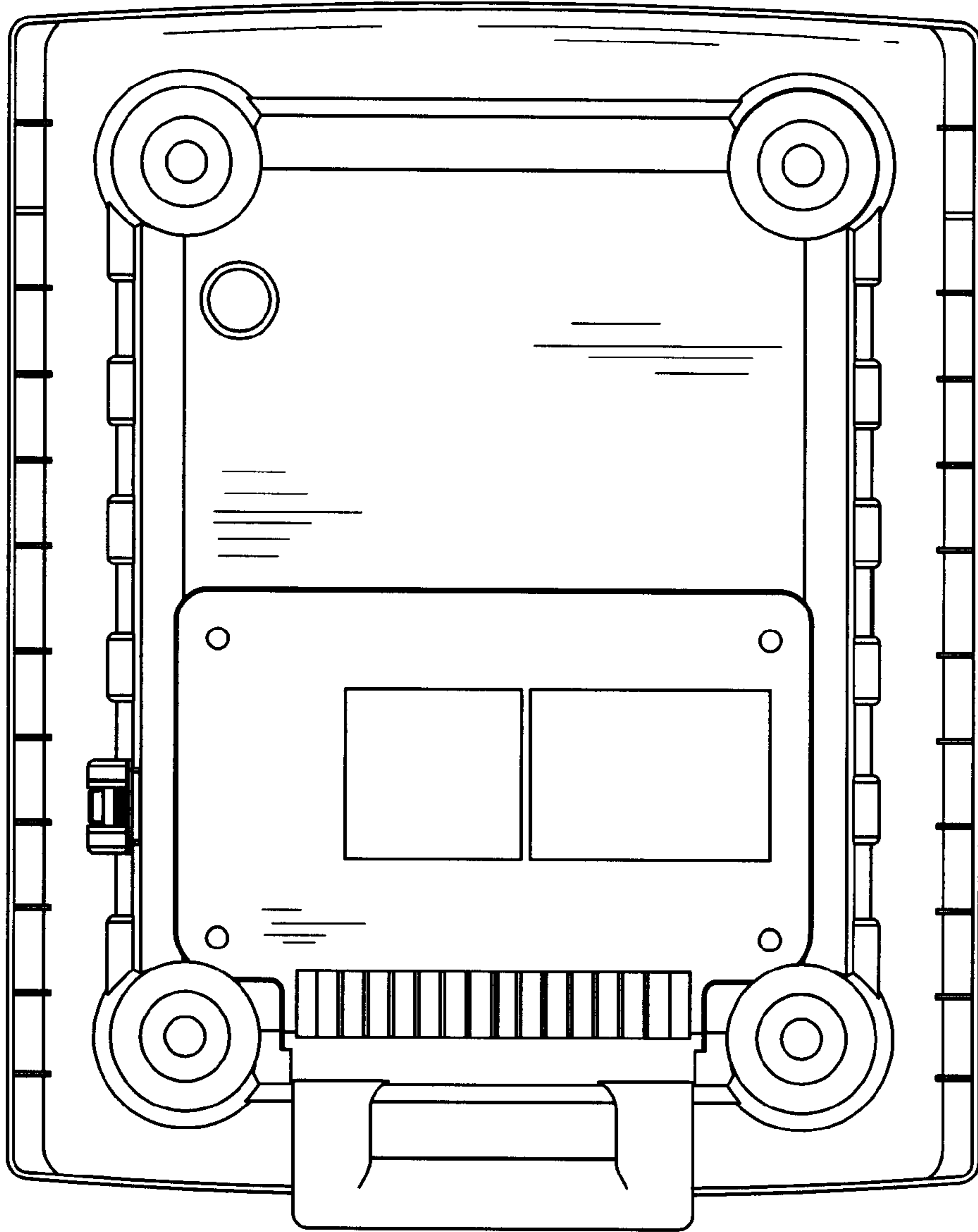


FIG 5

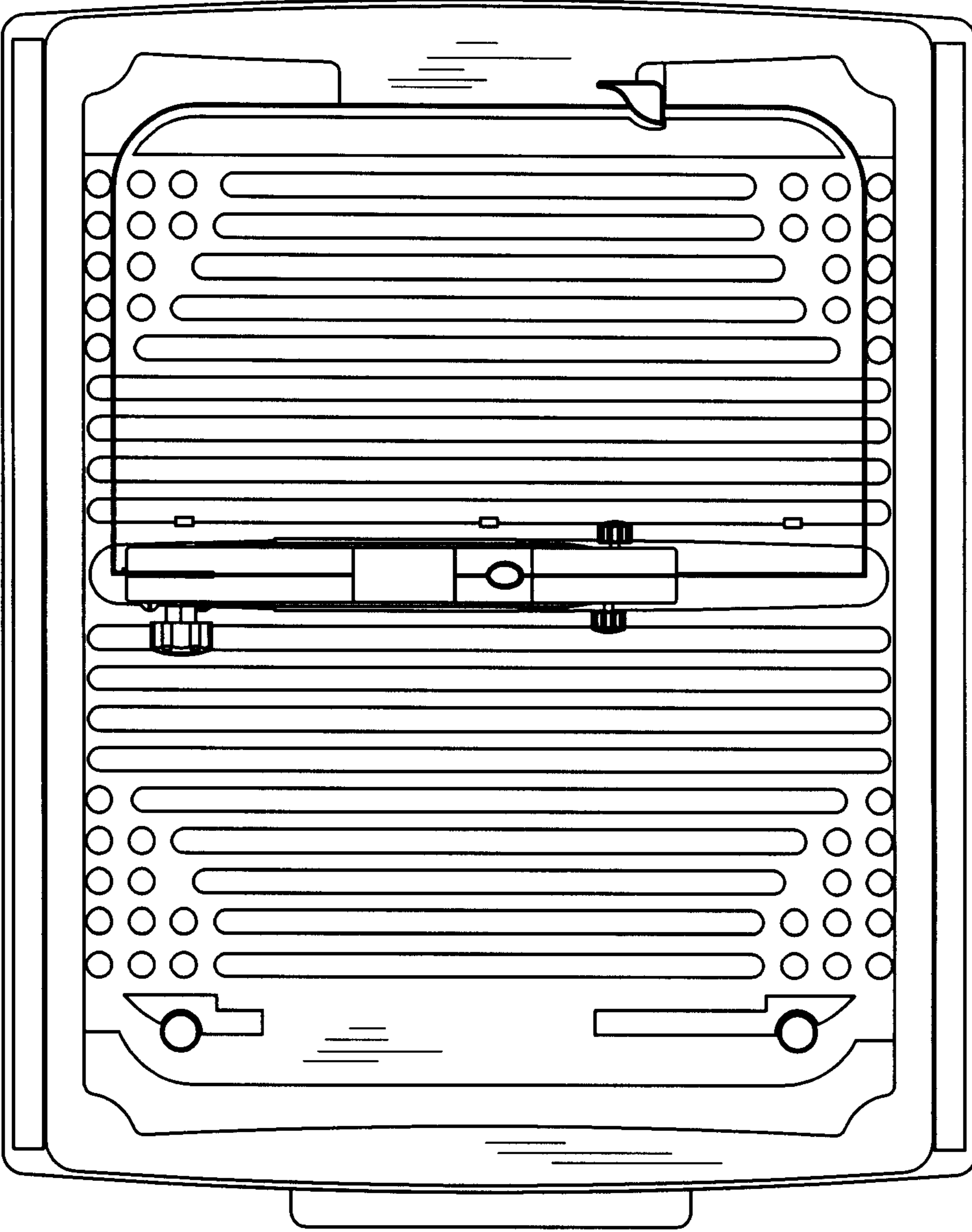


FIG 6

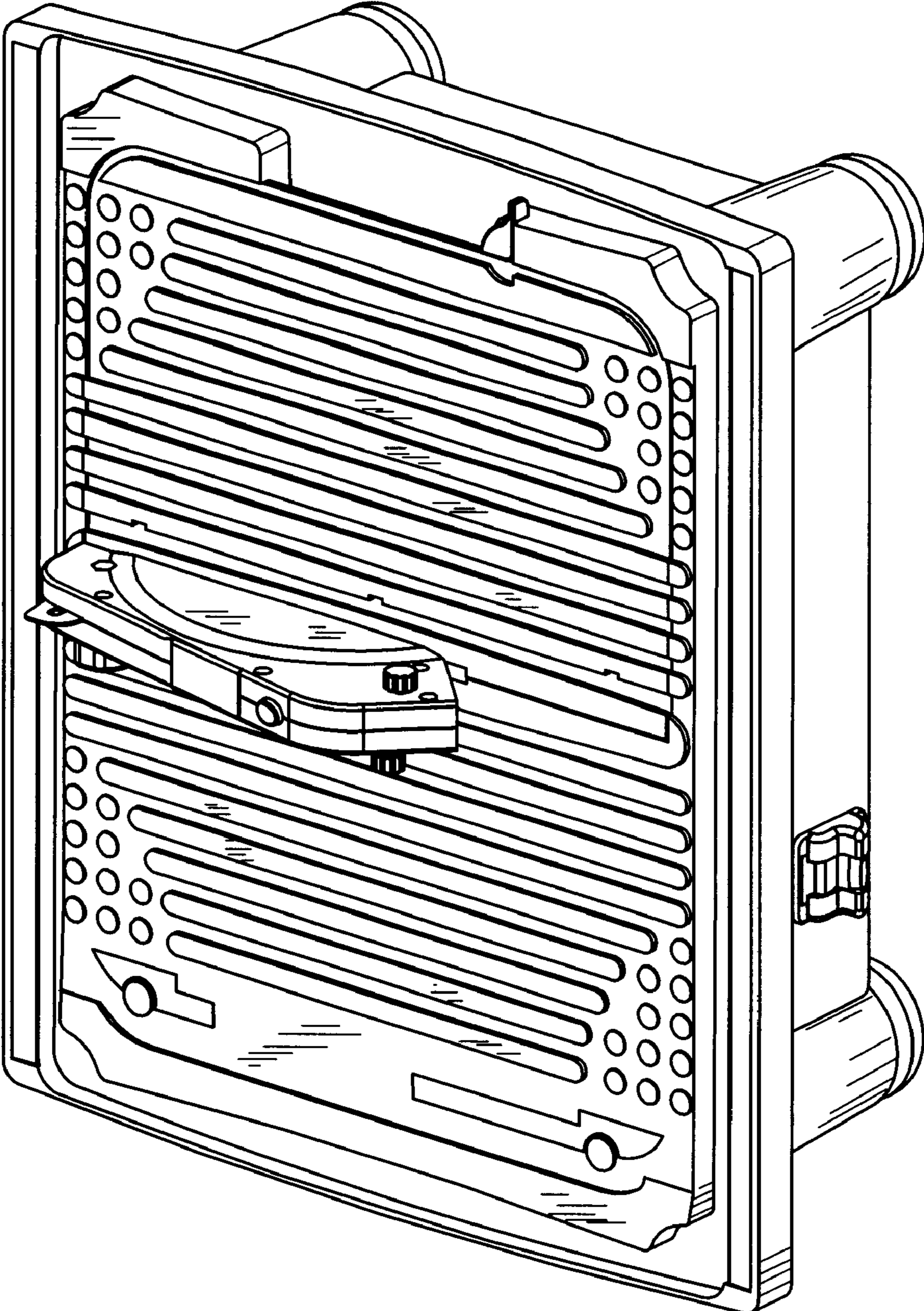


FIG 7