



US00D510086S

(12) **United States Design Patent**
Hirakawa et al.

(10) **Patent No.:** **US D510,086 S**
(45) **Date of Patent:** **** Sep. 27, 2005**

(54) **HOLDER FOR HEADPHONE**

D481,376 S * 10/2003 Eguchi D14/223
D491,314 S * 6/2004 Cousins D28/77

(75) Inventors: **Maki Hirakawa**, Tokyo (JP); **Michio Deguchi**, Tokyo (JP); **Kanae Fukamatsu**, Tokyo (JP)

FOREIGN PATENT DOCUMENTS

JP D1050270 S 9/1999
JP D1164092 S 1/2003

(73) Assignee: **Sony Computer Entertainment, Inc.**, Tokyo (JP)

* cited by examiner

(**) Term: **14 Years**

Primary Examiner—Paula A. Greene

(21) Appl. No.: **29/216,831**

(74) *Attorney, Agent, or Firm*—Rader, Fishman & Grauer PLLC

(22) Filed: **Nov. 10, 2004**

(57) **CLAIM**

(30) **Foreign Application Priority Data**

The ornamental design for a holder for headphone, as shown and described.

May 10, 2004 (JP) D2004-013710

DESCRIPTION

(51) **LOC (8) Cl.** **14-01**

FIG. 1 is a perspective view of a holder for headphone showing our new design;

(52) **U.S. Cl.** **D14/223**

FIG. 2 is a front elevational view thereof, showing a line VIII—VIII;

(58) **Field of Search** D14/223, 205,

FIG. 3 is a rear elevational view thereof;

D14/217, 206, 156, 168, 192; D3/207–210,

FIG. 4 is a left side elevational view thereof;

212; D6/466; D26/37; D28/76, 77; D8/99;

FIG. 5 is a right side elevational view thereof;

362/196; 181/128–130; 379/430; 381/381

FIG. 6 is a top view thereof, a bottom plan view thereof being a mirror image;

(56) **References Cited**

U.S. PATENT DOCUMENTS

3,359,411 A * 12/1967 Sidney 362/196
D296,736 S * 7/1988 Cole D6/466
D302,074 S * 7/1989 Halasz D3/208
D352,600 S * 11/1994 Steeley D3/208
D357,946 S * 5/1995 Ho D14/223
D431,308 S * 9/2000 Lynch et al. D26/37
D457,513 S * 5/2002 Pirelli et al. D14/223
D464,642 S 10/2002 Kanno
D466,100 S 11/2002 Obata

FIG. 7 is a reduced perspective view thereof, showing a using condition; and,

FIG. 8 is a reference cross sectional view thereof; taken along the line VIII-VIII shown in FIG. 2.

The broken lines showing of the environment are for illustrative purposes only and form no part of the claimed design.

1 Claim, 5 Drawing Sheets

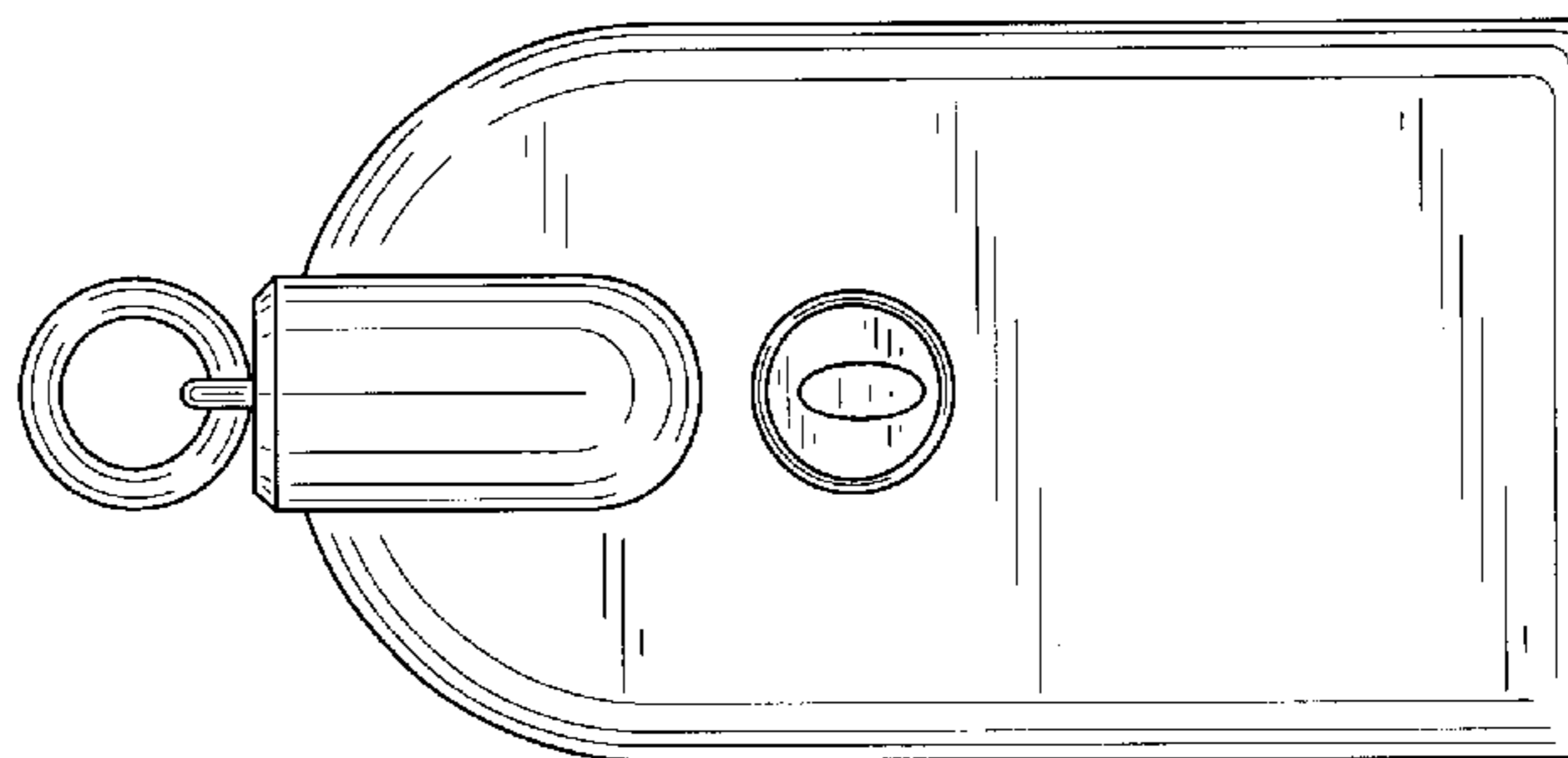
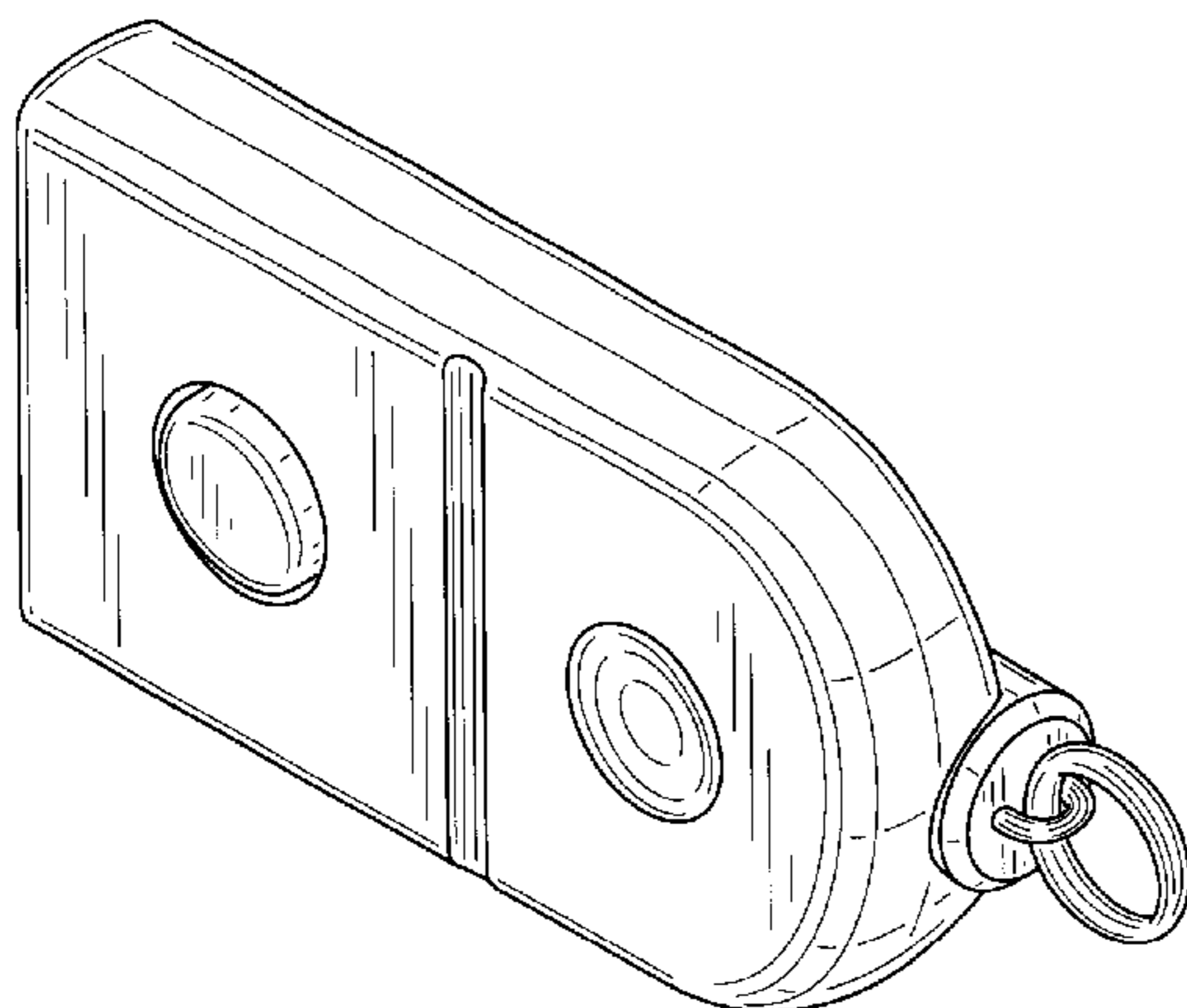


FIG.1

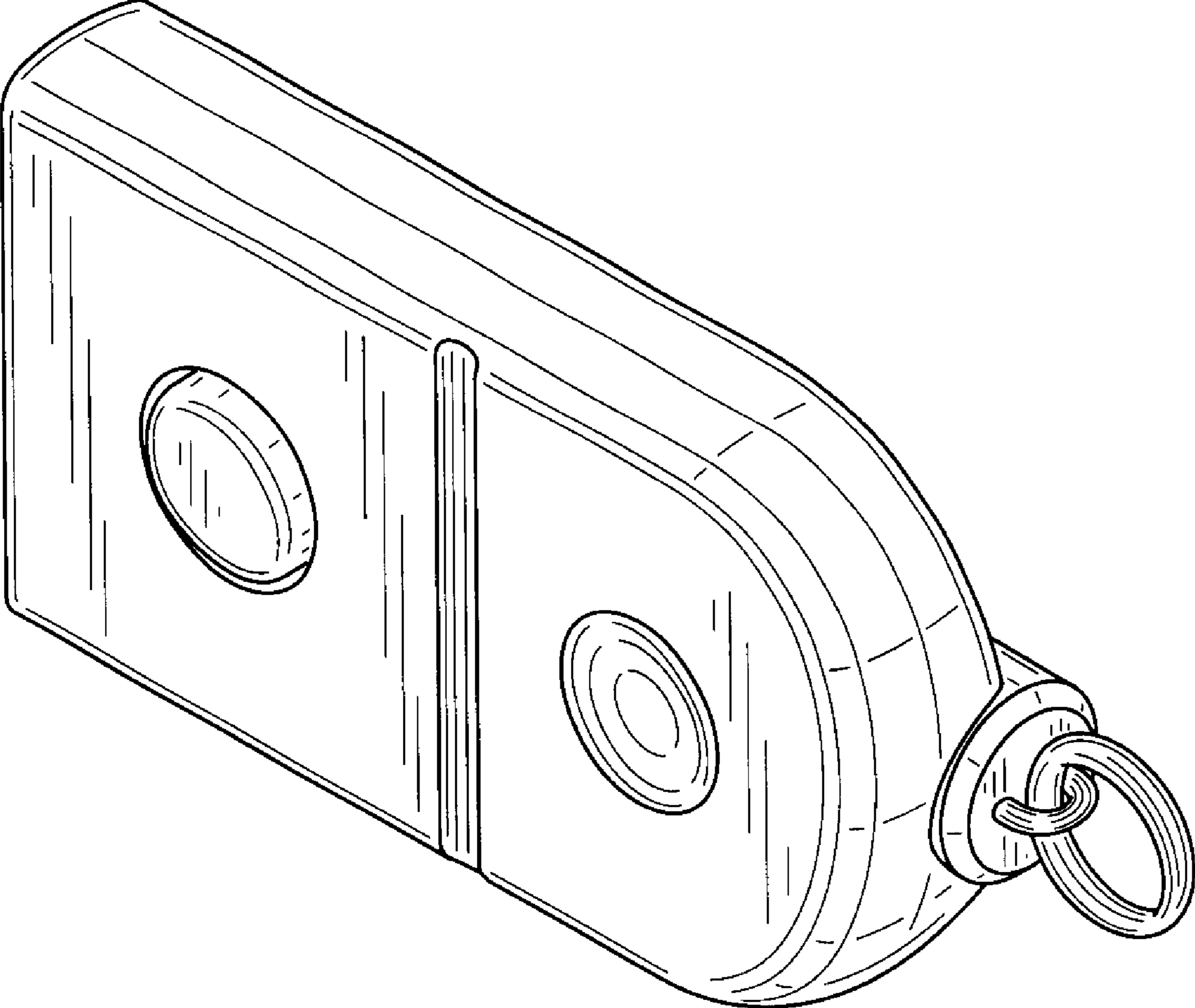


FIG.2

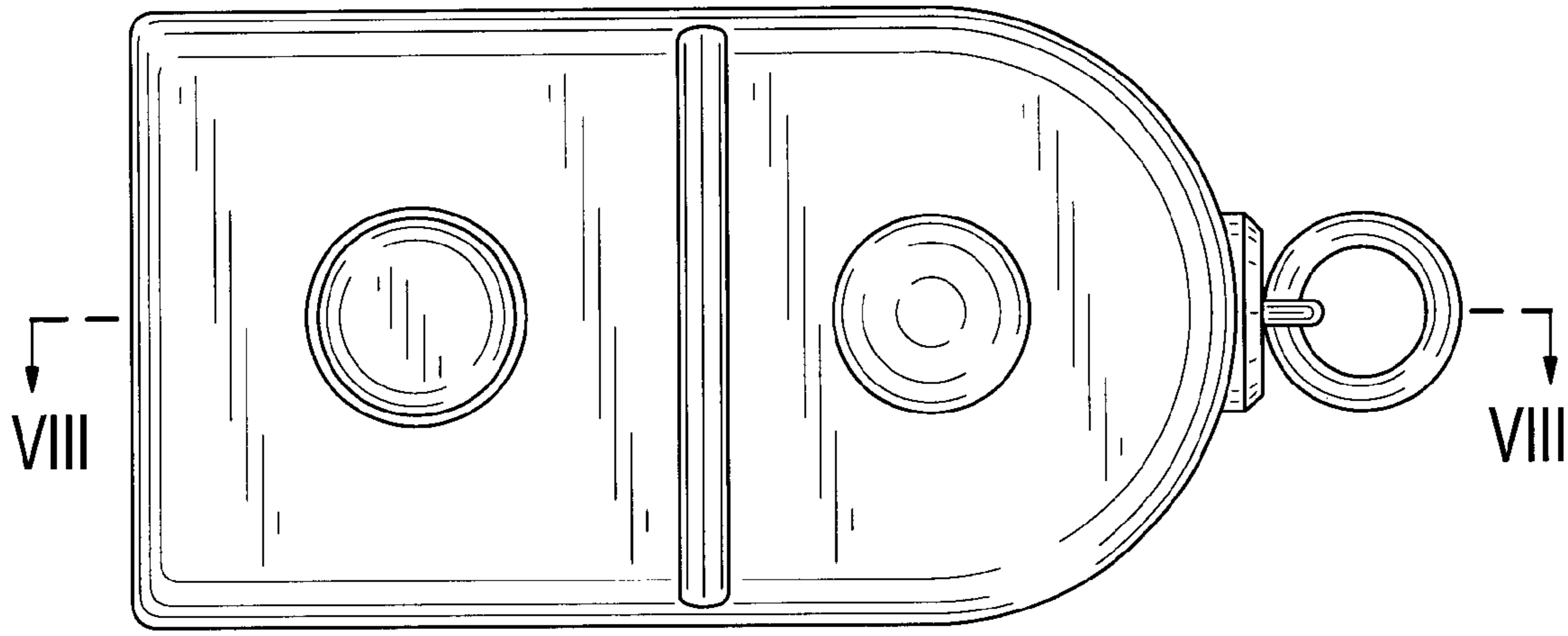


FIG.3

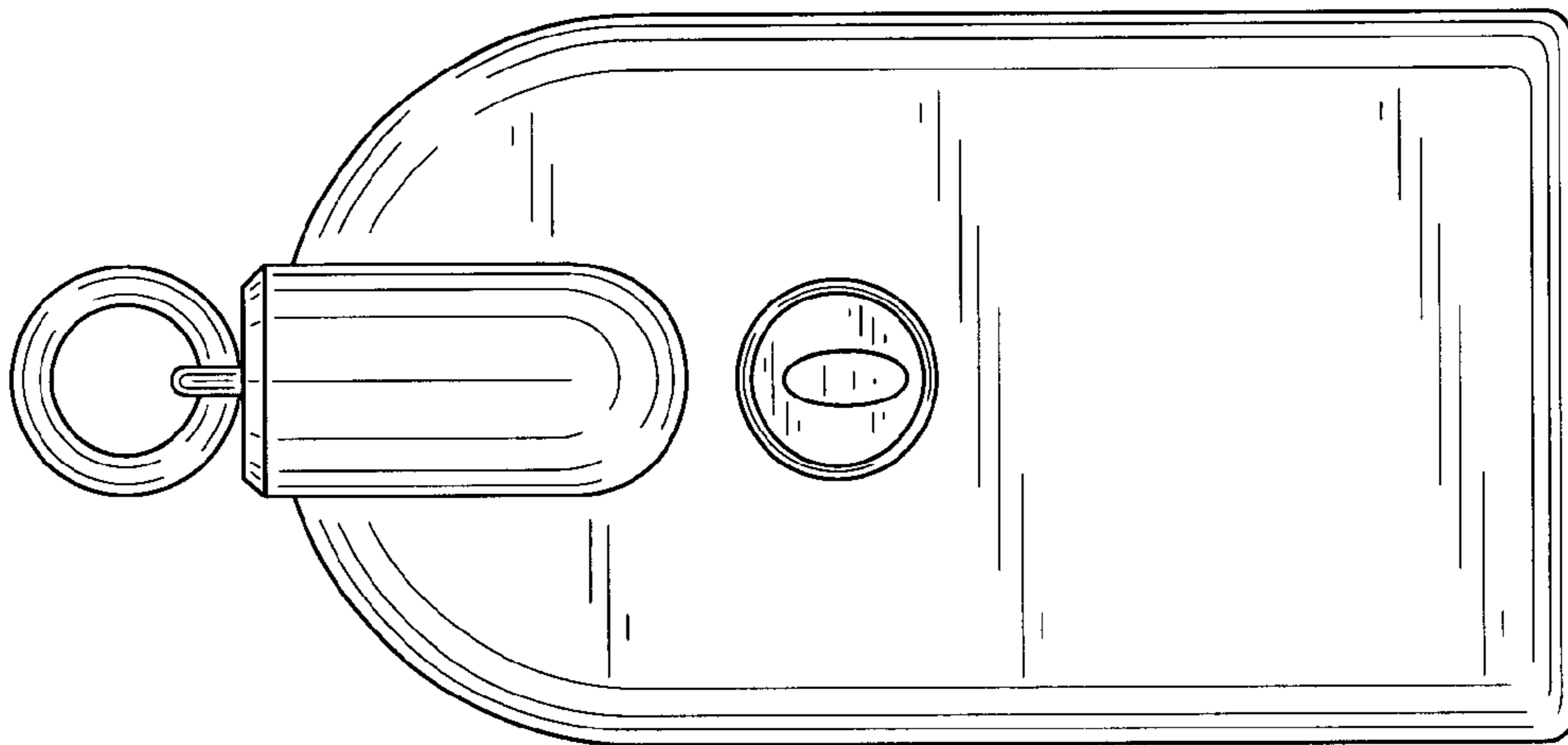


FIG.4

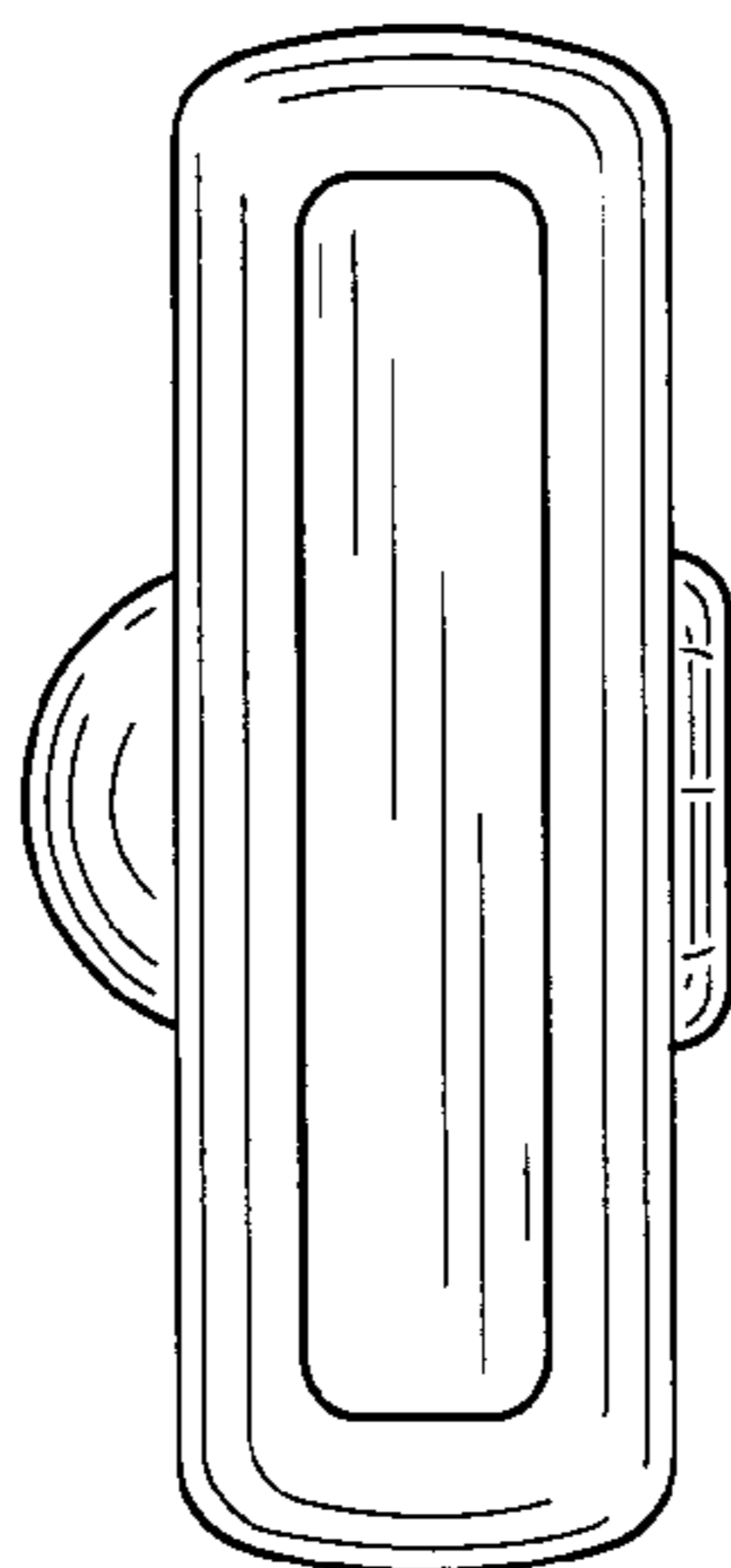


FIG. 5

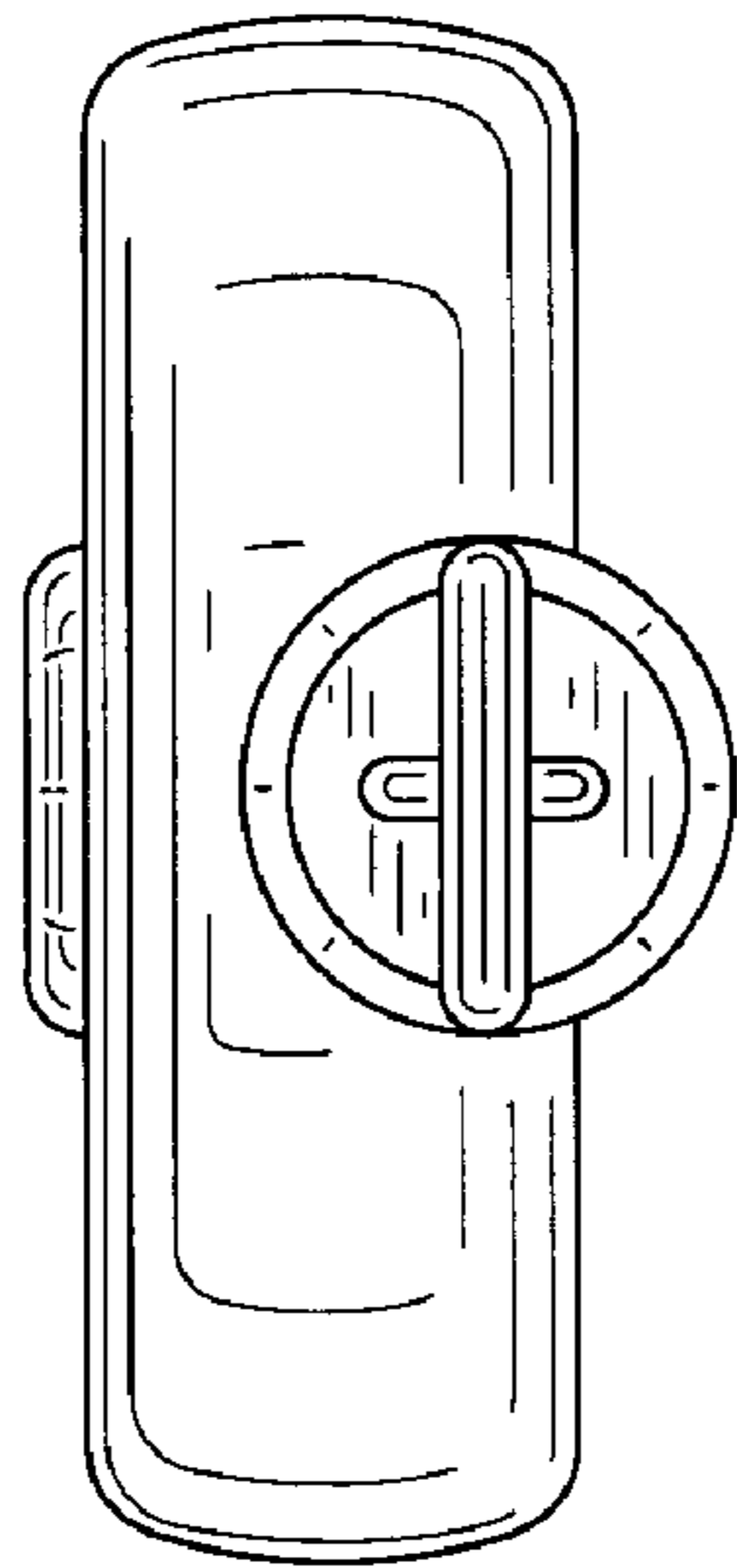
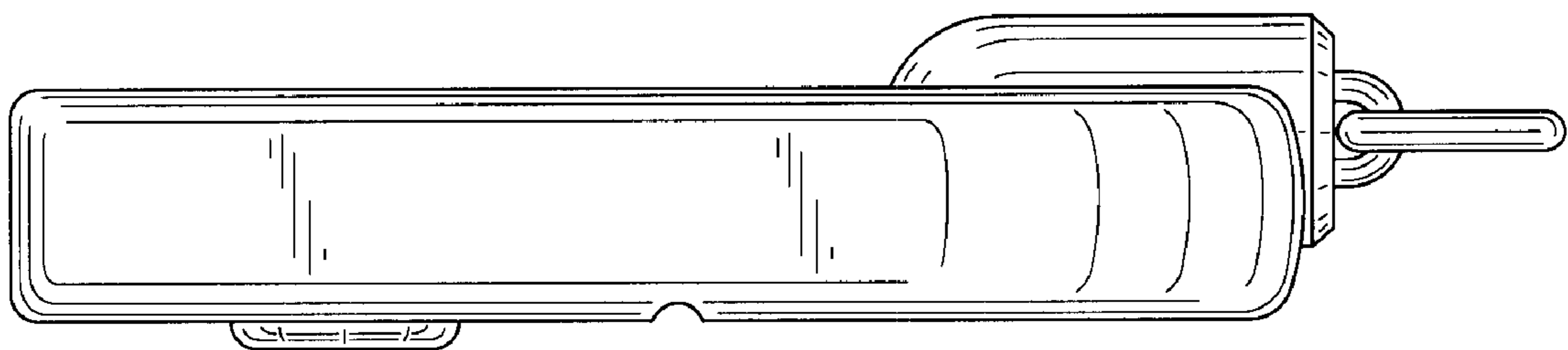


FIG. 6



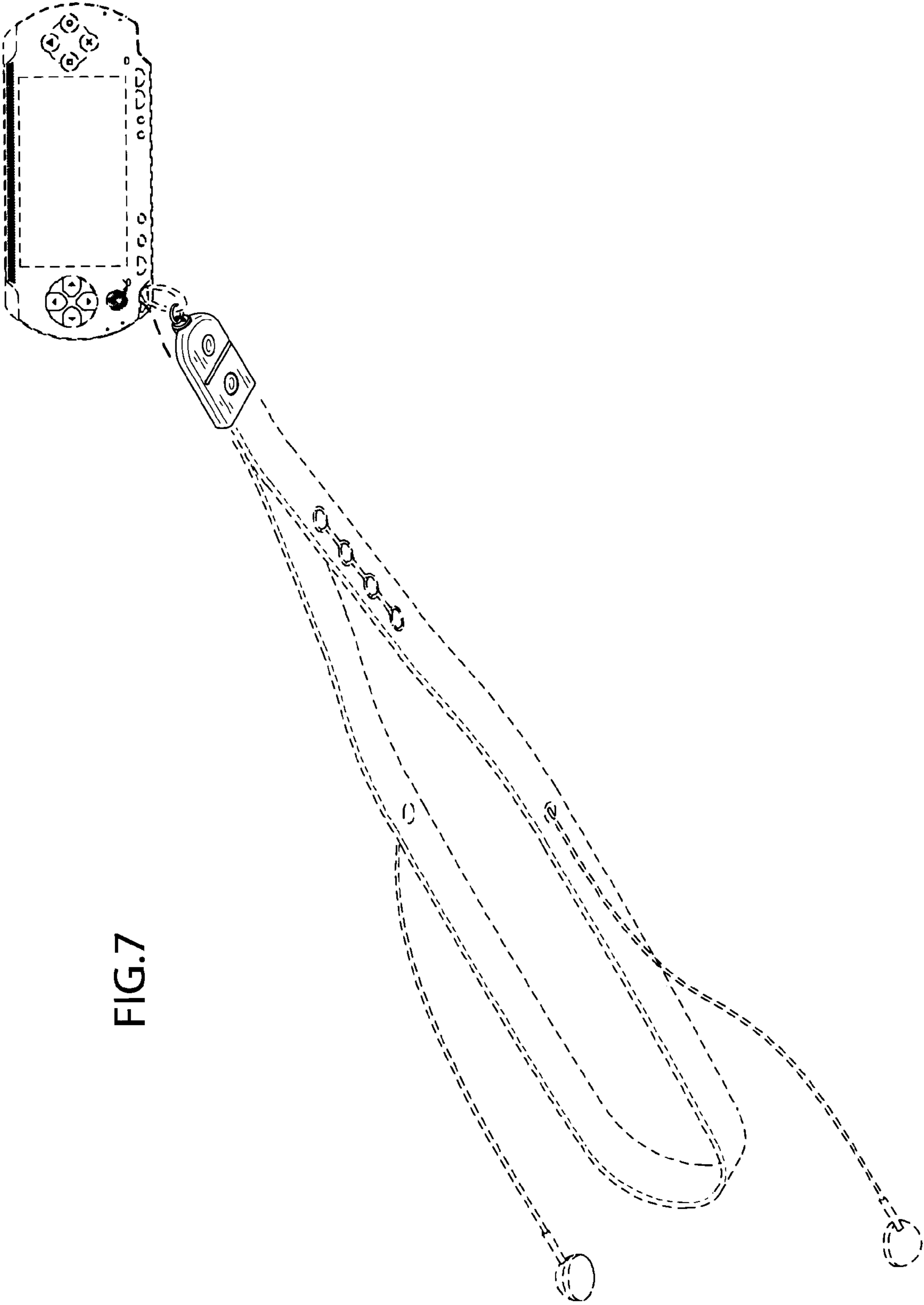


FIG. 7

FIG.8

