



US00D510085S

(12) **United States Design Patent**
Suzuki

(10) **Patent No.:** **US D510,085 S**

(45) **Date of Patent:** **** Sep. 27, 2005**

(54) **HEADPHONE**

(75) Inventor: **Satoshi Suzuki**, Tokyo (JP)

(73) Assignee: **Sony Corporation**, Tokyo (JP)

(**) Term: **14 Years**

(21) Appl. No.: **29/215,741**

(22) Filed: **Oct. 25, 2004**

(51) **LOC (8) Cl.** **14-01**

(52) **U.S. Cl.** **D14/223**

(58) **Field of Search** D14/188, 192,
D14/205, 206, 223, 240; 181/128, 129,
130; 381/381; 379/430, 433; D24/174

(56) **References Cited**

U.S. PATENT DOCUMENTS

D421,755 S	*	3/2000	Pitel	D14/240
D431,553 S	*	10/2000	Suzuki	D14/223
D441,739 S	*	5/2001	Hayes et al.	D14/223
D460,749 S	*	7/2002	Liu	D14/206
D472,890 S		4/2003	Suzuki		
D474,171 S	*	5/2003	Suzuki	D14/206
D474,178 S	*	5/2003	Eroma	D14/223
D478,573 S	*	8/2003	Wrisley et al.	D14/223
D482,022 S	*	11/2003	Nakano	D14/223
D487,077 S		2/2004	Obata		
D495,685 S	*	9/2004	Hirano	D14/223
D497,613 S	*	10/2004	Gwee	D14/223

OTHER PUBLICATIONS

Webpage, "Sony MDR-Ex51LP" http://www.yodobashi.com/enjoy/more/i/cat_1045_140_143389/6853766.html, 1sheet, yodobashi (Aug. 23, 2004).

Webpage, "HP-MD90-B" http://www.yodobashi.com/enjoy/more/i/cat_1045_140_140116_5517209/14057499.html, 1sheet, yodobashi (Aug. 23, 2004).

Webpage, "Panasonic RP-HZ5-S" http://www.yodobashi.com/enjoy/more/i/cat_1045_140_140116_5517209/100-40180.html, 1sheet, yodobashi (Aug. 23, 2004).

* cited by examiner

Primary Examiner—Paula A. Greene

(74) *Attorney, Agent, or Firm*—Rader, Fishman & Grauer PLLC

(57) **CLAIM**

The ornamental design for a headphone, as shown.

DESCRIPTION

FIG. 1 is a perspective view of a headphone showing my new design;

FIG. 2 is a front elevational view thereof;

FIG. 3 is a rear elevational view thereof;

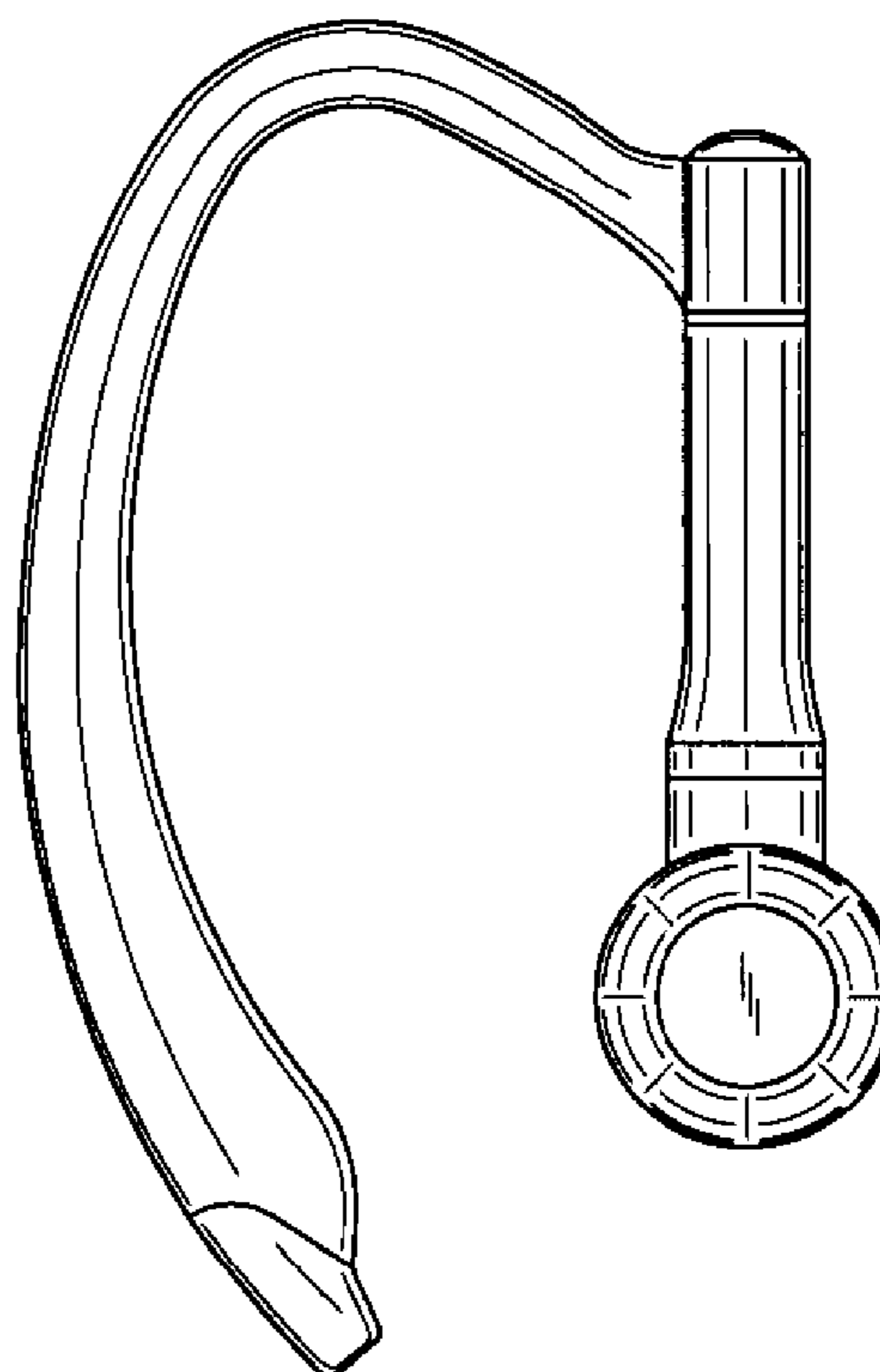
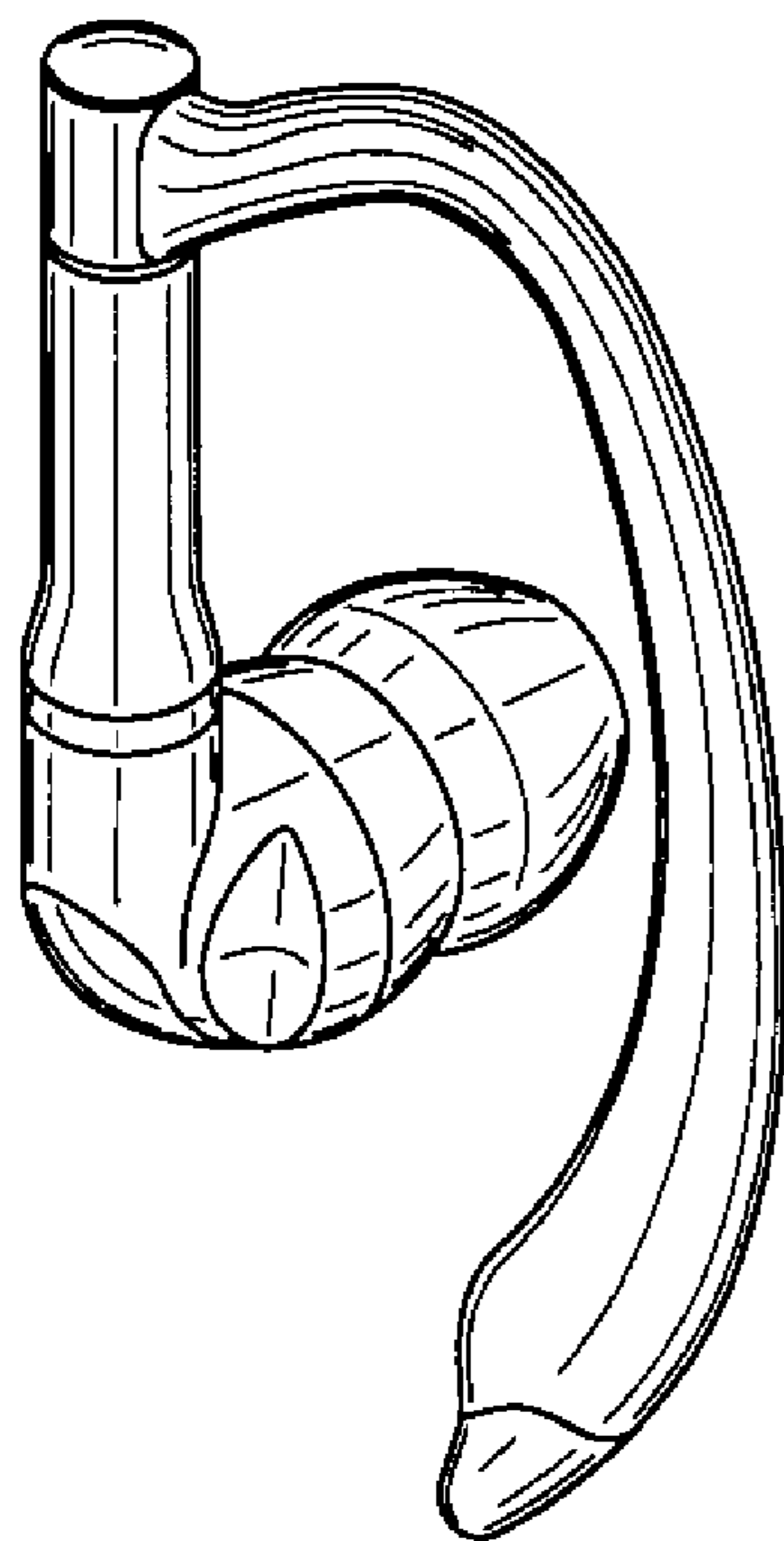
FIG. 4 is a left side elevational view thereof;

FIG. 5 is a right side elevational view thereof;

FIG. 6 is a top plan view thereof; and,

FIG. 7 is a bottom plan view thereof.

1 Claim, 4 Drawing Sheets



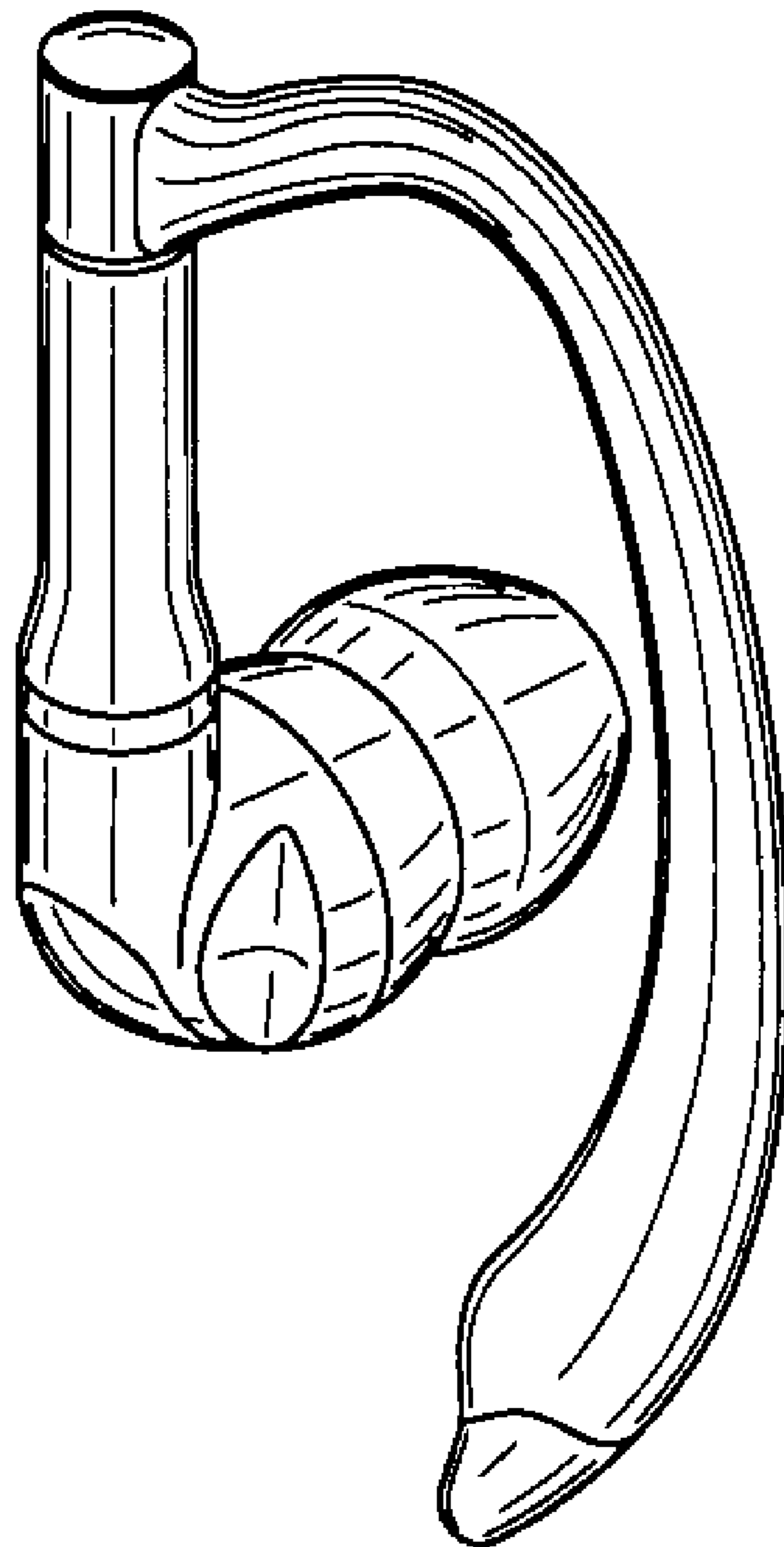


FIG. 1

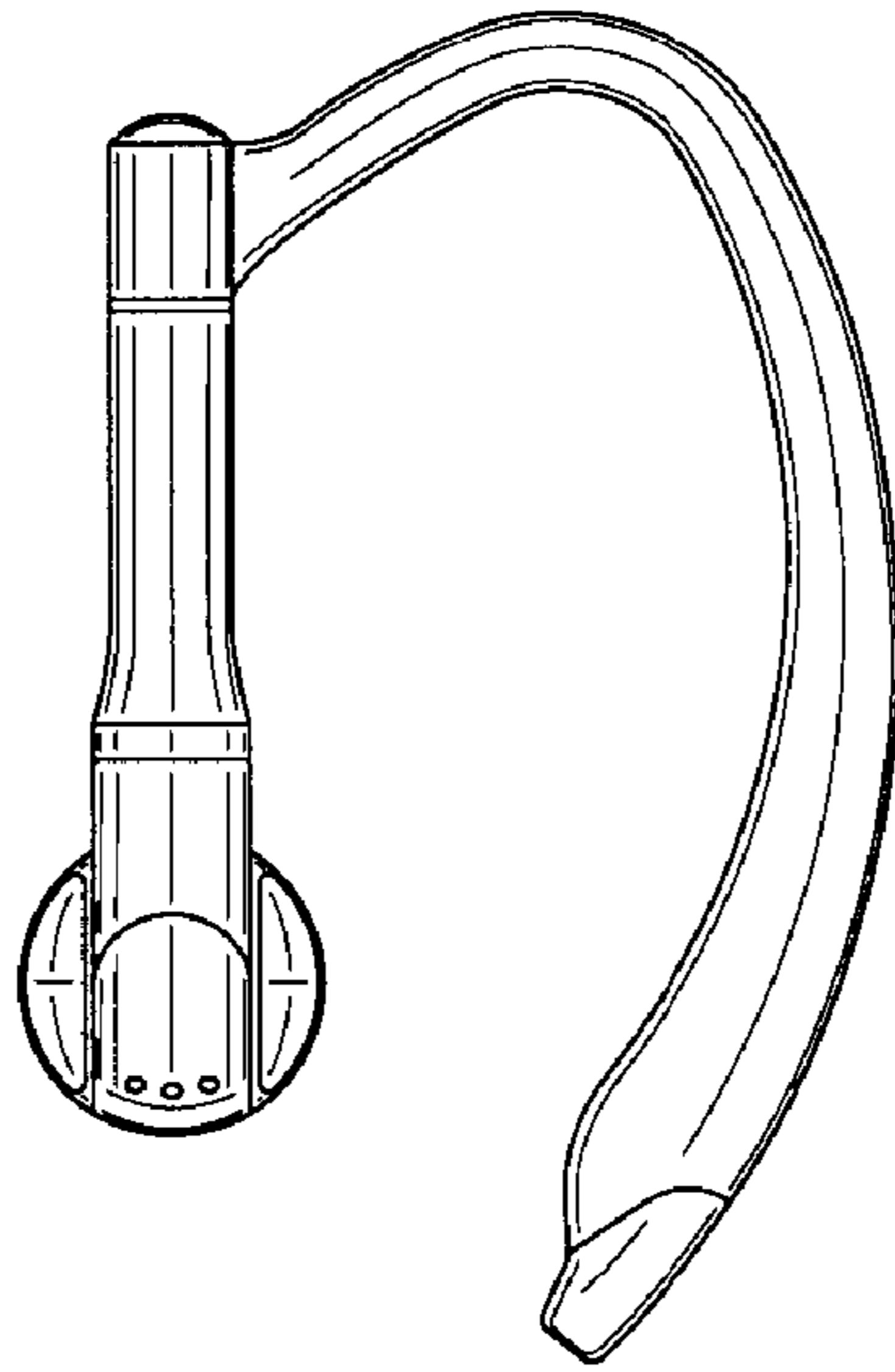


FIG. 2

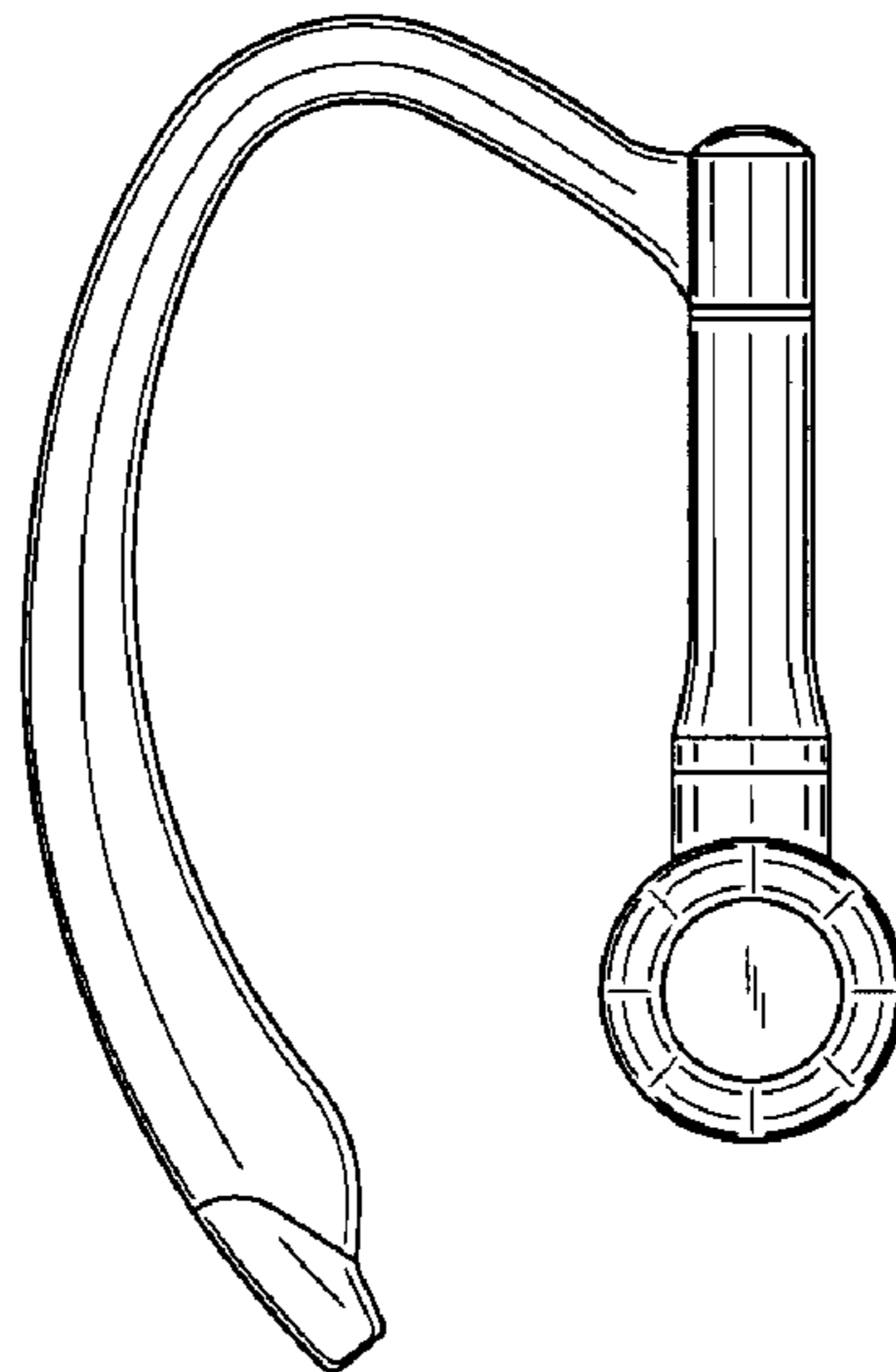


FIG. 3

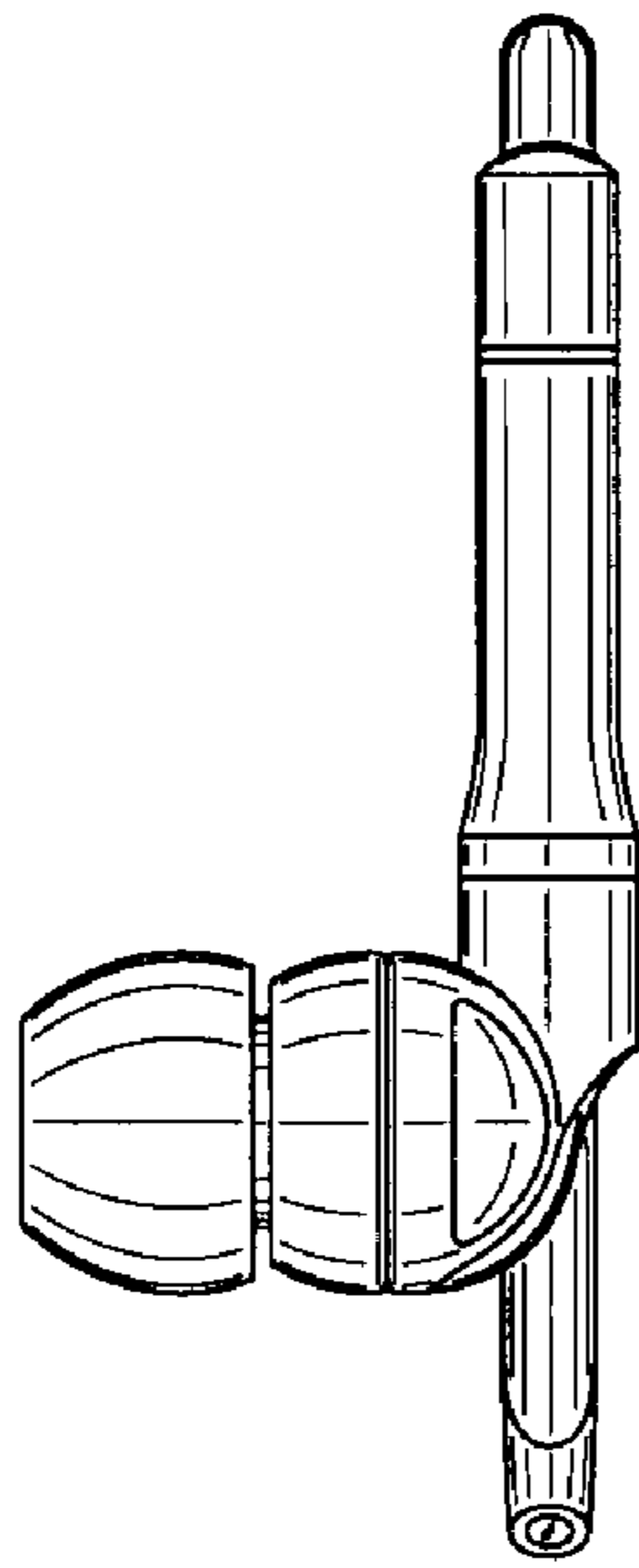


FIG. 4

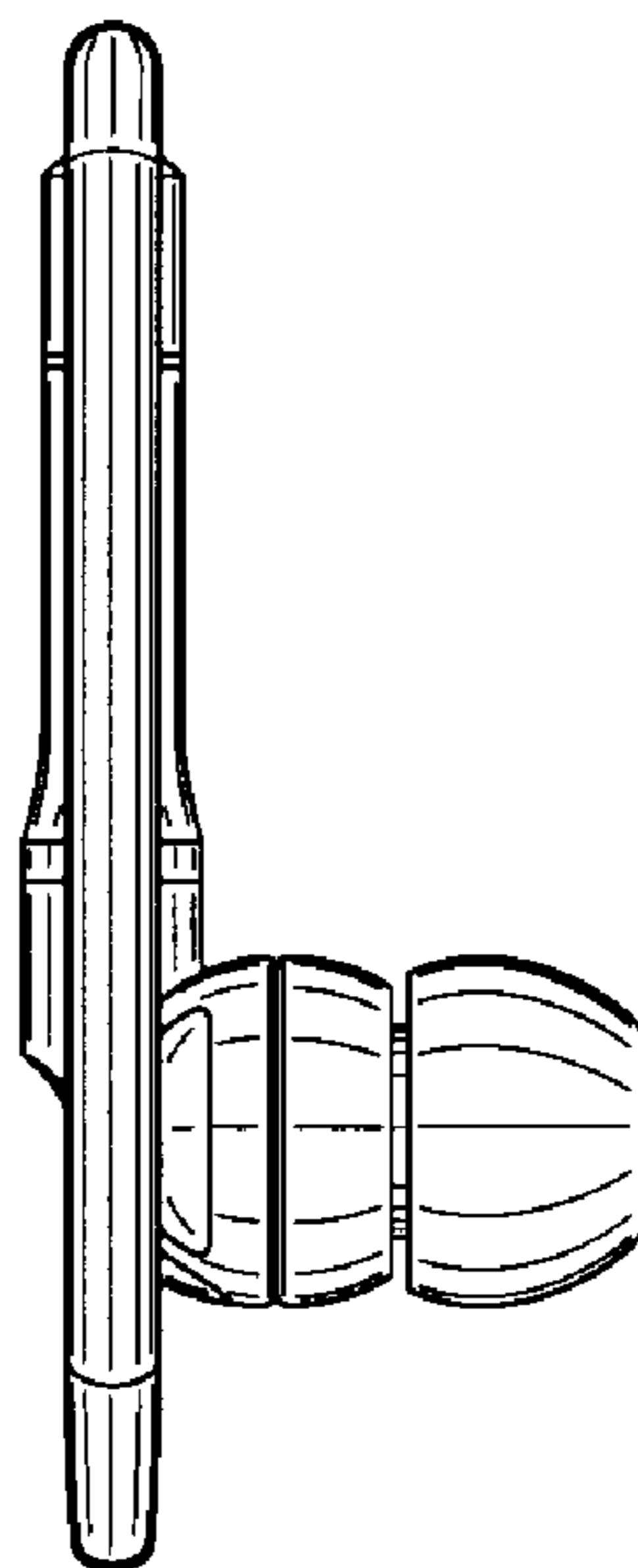


FIG. 5

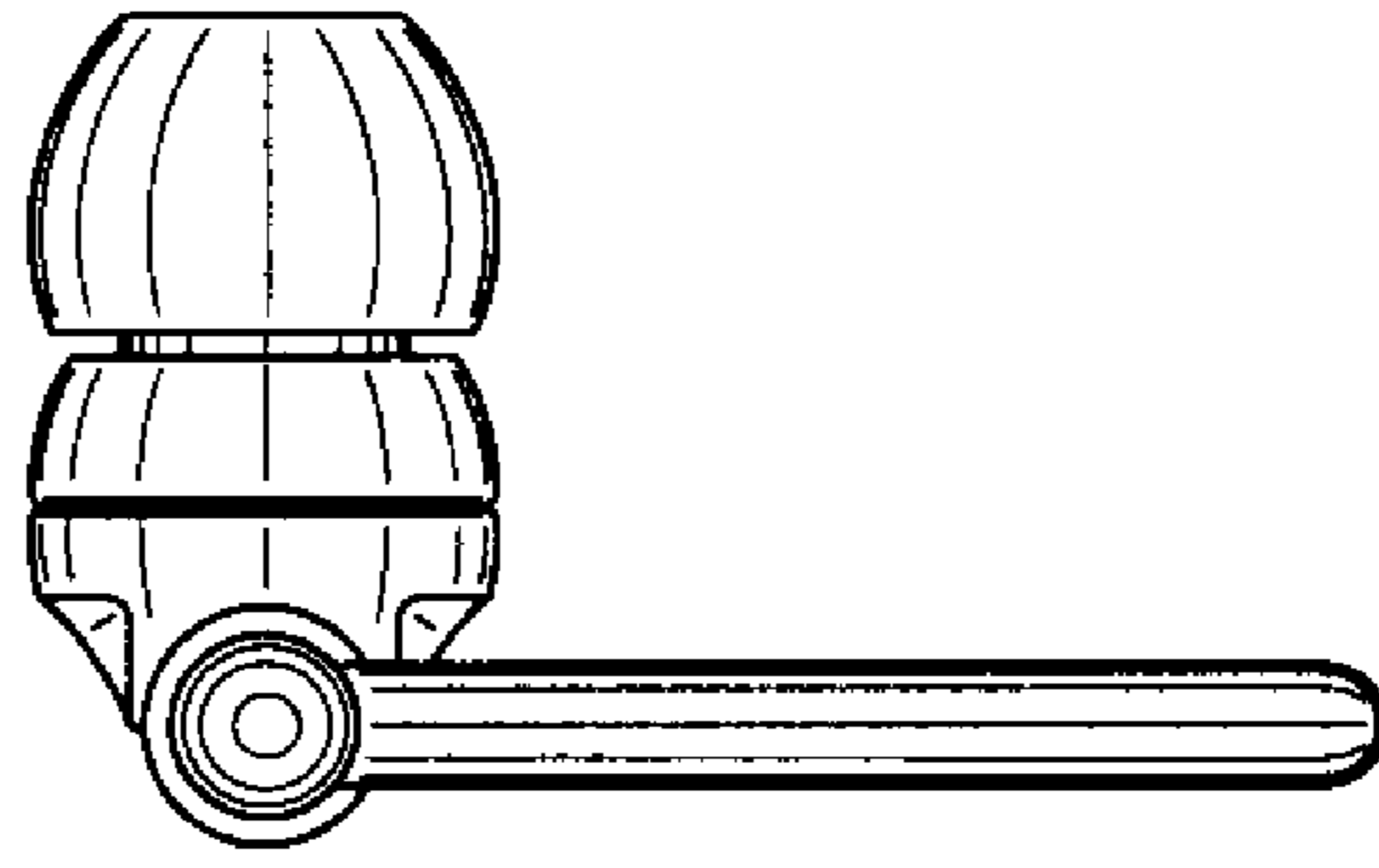


FIG. 6

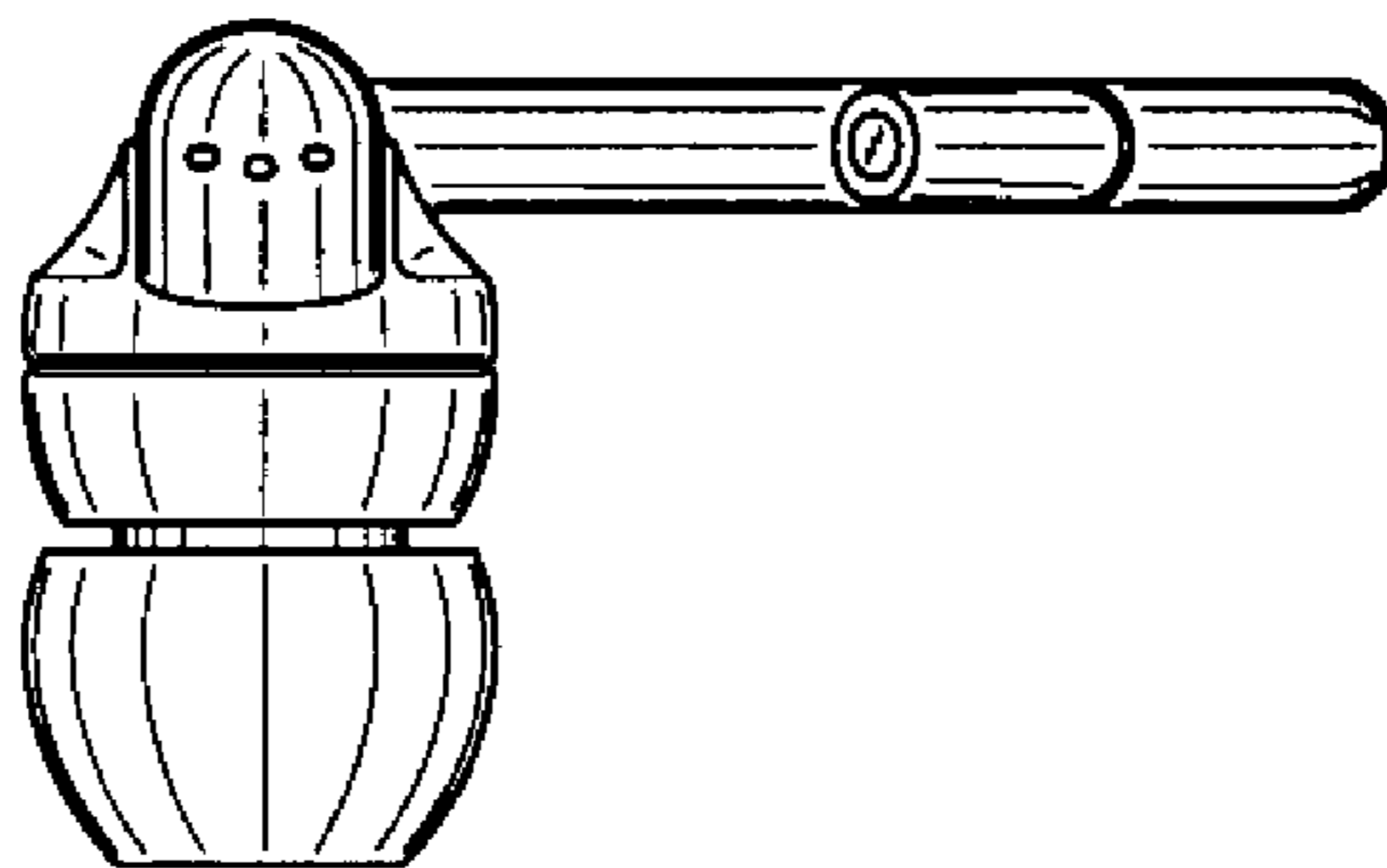


FIG. 7