



US00D510084S

(12) **United States Design Patent**
Hasbrook

(10) **Patent No.: US D510,084 S**

(45) **Date of Patent: ** Sep. 27, 2005**

(54) **SPEAKER**

(75) **Inventor: William B. Hasbrook, Portland, OR (US)**

(73) **Assignee: Phoenix Gold International, Inc., Portland, OR (US)**

(**) **Term: 14 Years**

(21) **Appl. No.: 29/197,034**

(22) **Filed: Jan. 6, 2004**

(51) **LOC (8) Cl. 14-01**

(52) **U.S. Cl. D14/221**

(58) **Field of Search** D14/204, 207, D14/209-216, 219-222; 181/143-144, 147-148, 150, 157, 198-199, 151, 153; 381/300-302, 306, 333, 345, 361-364, 386-388, 332, 336

(56) **References Cited**

U.S. PATENT DOCUMENTS

D188,542 S * 8/1960 Levy et al. D14/216
D244,698 S * 6/1977 Babb D14/222

D253,108 S * 10/1979 Schroeder D14/216
D285,303 S * 8/1986 van de Ven D14/215
D465,780 S 11/2002 Shindo
D467,906 S 12/2002 Sadatsuki
D472,545 S 4/2003 Iijima et al.

* cited by examiner

Primary Examiner—Nanda Bondade

(74) *Attorney, Agent, or Firm*—Klarquist Sparkman, LLP

(57) **CLAIM**

The ornamental design for a speaker, as shown and described.

DESCRIPTION

FIG. 1 is a front perspective view of a speaker showing my new design;

FIG. 2 is bottom perspective view thereof;

FIG. 3 is a front elevational view thereof; and,

FIG. 4 is a rear elevational view thereof.

The broken lines illustrated in the figures are not part of the design sought to be patented and are shown to illustrate the environment related to the claimed design.

1 Claim, 2 Drawing Sheets

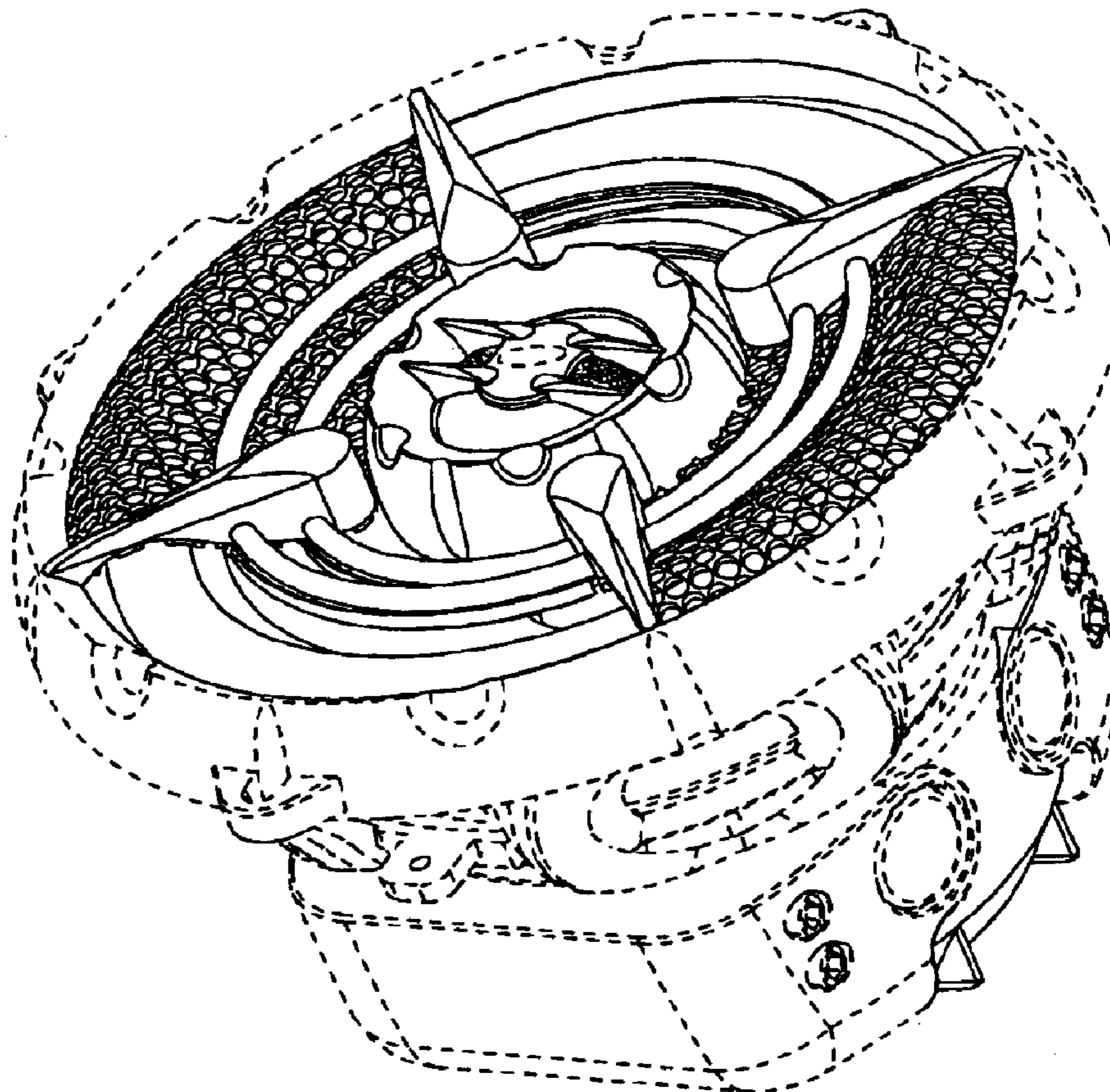




FIG. 1

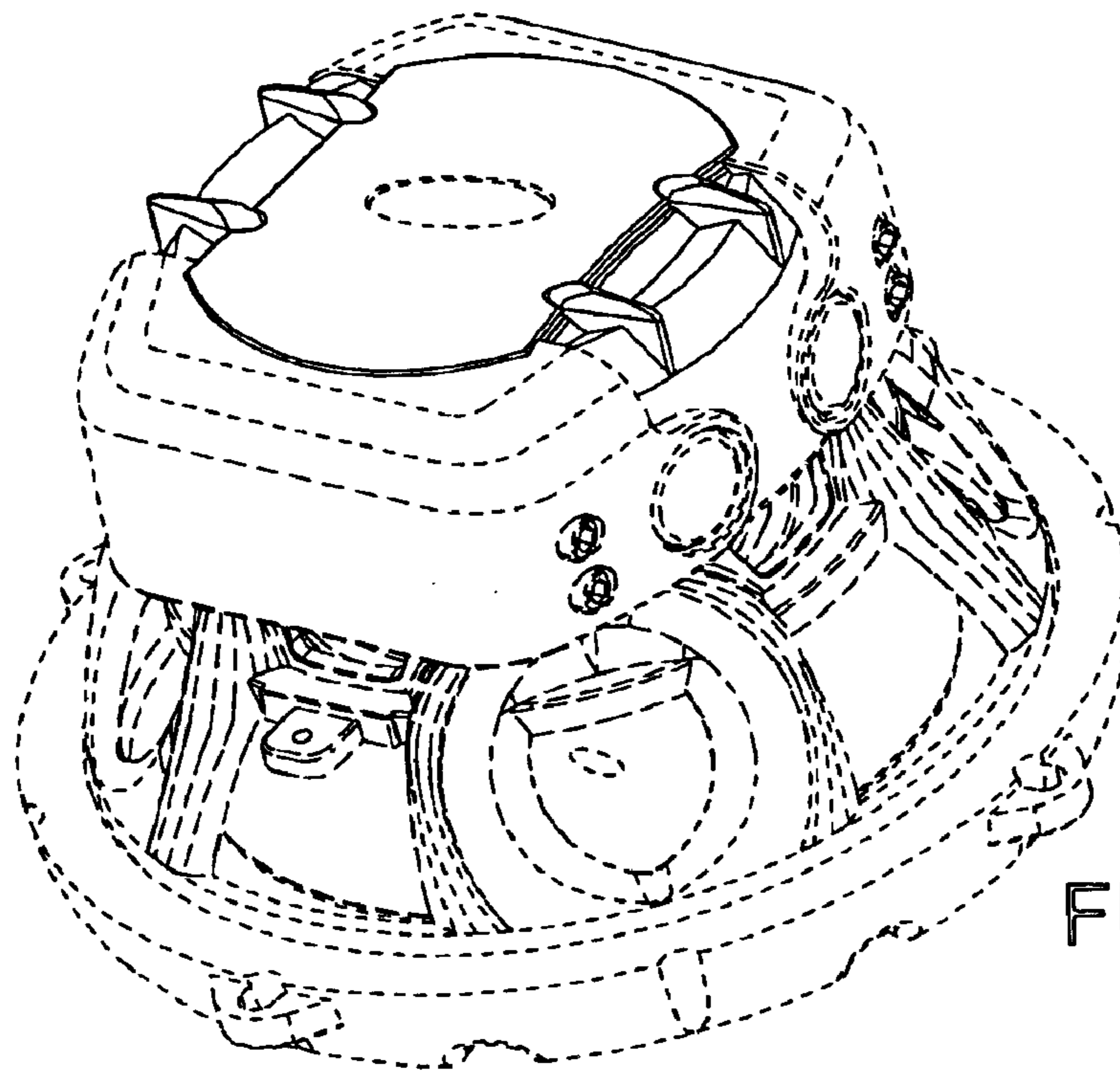


FIG. 2

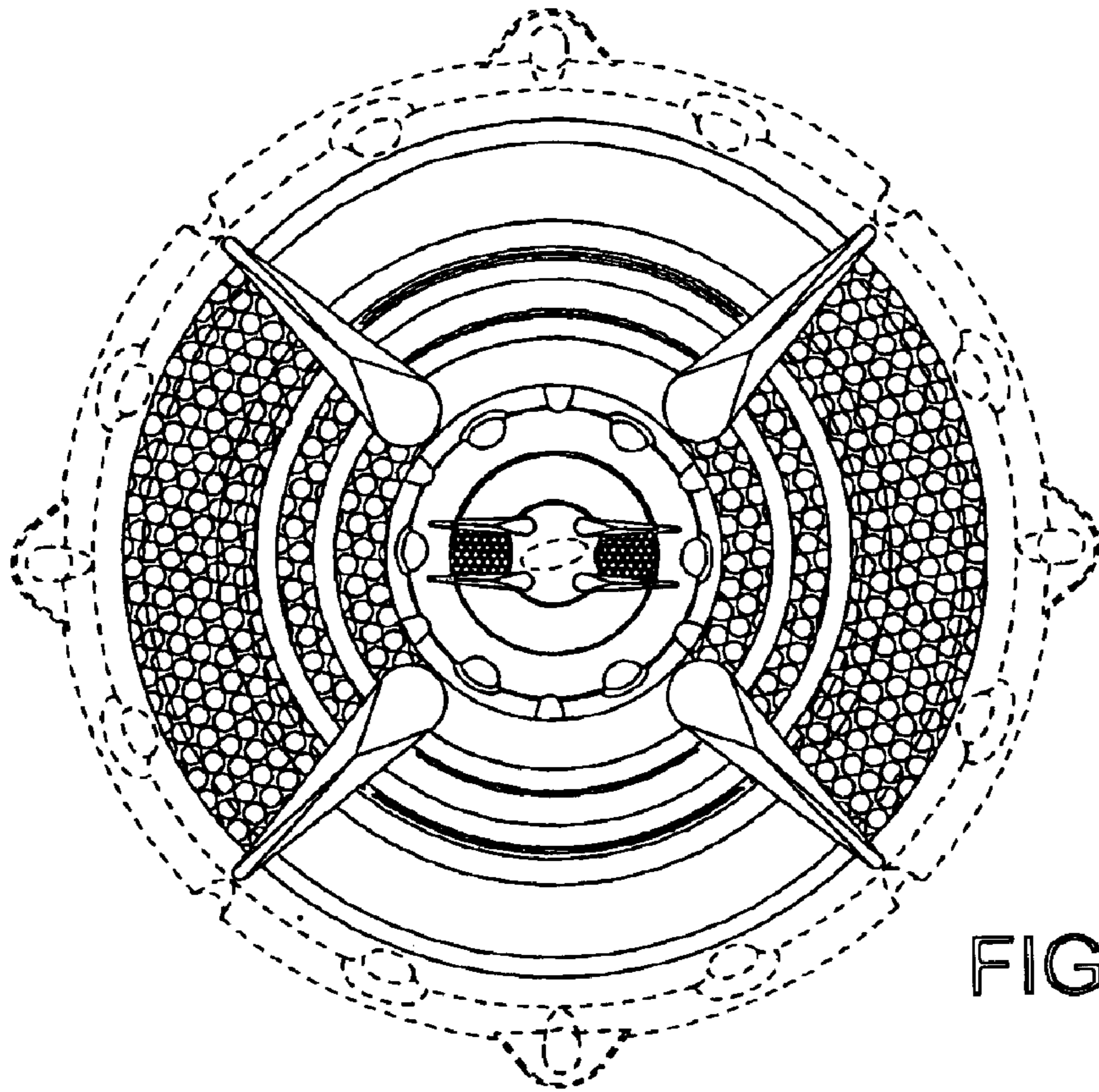


FIG. 3

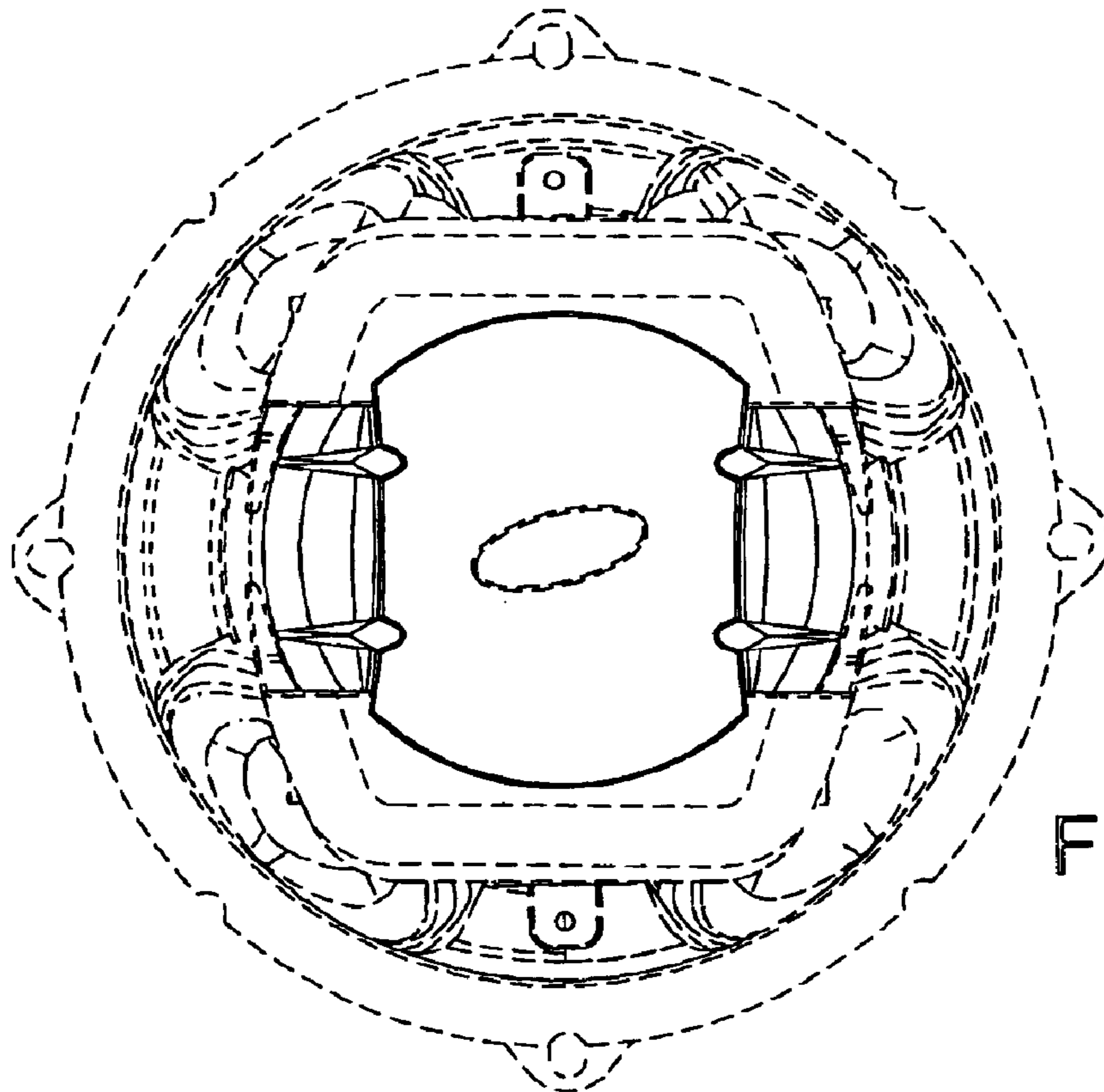


FIG. 4