



US00D510080S

(12) **United States Design Patent**
Kim et al.

(10) **Patent No.:** **US D510,080 S**

(45) **Date of Patent:** **** Sep. 27, 2005**

(54) **CELLULAR PHONE**

(75) Inventors: **Ki-Sung Kim**, Seoul (KR);
Chang-Hwan Hwang, Goyang-si (KR);
Yoon-Young Cho, Seoul (KR)

(73) Assignee: **Samsung Electronics Co., Ltd.** (KR)

(**) Term: **14 Years**

(21) Appl. No.: **29/217,184**

(22) Filed: **Nov. 15, 2004**

(30) **Foreign Application Priority Data**

Jun. 4, 2004 (KR) 30-2004-0016696

(51) **LOC (8) Cl.** **14-03**

(52) **U.S. Cl.** **D14/138**

(58) **Field of Search** D14/137, 138,
D14/147-148, 247-248, 144, 341-347;
379/433.01-433.13, 434; 455/550.1-90.3,
575.3, 566, 575.1; D21/517; 345/169

(56) **References Cited**

U.S. PATENT DOCUMENTS

D455,135 S	*	4/2002	Hyun	D14/138
D459,330 S	*	6/2002	Suzuki et al.	D14/138
D465,466 S	*	11/2002	Hyun	D14/138
D468,282 S	*	1/2003	Chen	D14/138
D475,986 S	*	6/2003	Ng et al.	D14/138
D477,581 S	*	7/2003	Iijima et al.	D14/138
D483,341 S	*	12/2003	Rausch et al.	D14/138
D484,478 S	*	12/2003	Kota et al.	D14/138
D484,479 S	*	12/2003	Park	D14/138
D485,818 S	*	1/2004	Yabe et al.	D14/138
D486,464 S	*	2/2004	Lee	D14/138
D486,809 S	*	2/2004	Hwang	D14/138
D487,443 S	*	3/2004	Yoon	D14/138
D488,144 S	*	4/2004	Hwang	D14/138
D490,065 S	*	5/2004	Shimazu et al.	D14/138
D490,792 S	*	6/2004	Lee	D14/138
D491,158 S	*	6/2004	Mou et al.	D14/138
D491,546 S	*	6/2004	Tien et al.	D14/138
D491,907 S	*	6/2004	Ogawa	D14/138

D493,439 S	*	7/2004	Hong et al.	D14/138
D494,945 S	*	8/2004	Jang	D14/138
D494,946 S	*	8/2004	Rausch et al.	D14/138
D494,948 S	*	8/2004	Cho	D14/138
D496,019 S	*	9/2004	Okada et al.	D14/138
D498,223 S	*	11/2004	Ho et al.	D14/138
D501,838 S	*	2/2005	Kim et al.	D14/138
D501,851 S	*	2/2005	Watanabe et al.	D14/248
D502,458 S	*	3/2005	Chung et al.	D14/138
D502,459 S	*	3/2005	Lee et al.	D14/138
D503,695 S	*	4/2005	Kota et al.	D14/138
2004/0132482 A1	*	7/2004	Kang et al.	455/550.1
2004/0174430 A1	*	9/2004	Sawahara et al.	348/14.02
2004/0185924 A1	*	9/2004	Hwang et al.	455/575.3
2004/0198476 A1	*	10/2004	Aikawa et al.	455/575.3
2004/0204145 A1	*	10/2004	Nagatomo	455/566

FOREIGN PATENT DOCUMENTS

JP	1158252	*	11/2002
JP	1167658	*	3/2003
JP	1185434	*	9/2003
JP	1190601	*	11/2003
WO	DM/064560	*	10/2003

* cited by examiner

Primary Examiner—Jeffrey Asch

(74) *Attorney, Agent, or Firm*—Cantor Colburn LLP

(57) **CLAIM**

We claim, the ornamental design for a cellular phone, as shown and described.

DESCRIPTION

FIG. 1 is a top and front perspective view of a cellular phone, showing our new design;

FIG. 2 is a front elevational view thereof;

FIG. 3 is a rear elevational view thereof;

FIG. 4 is a left side elevational view thereof;

FIG. 5 is a right side elevational view thereof;

FIG. 6 is a top elevational view thereof;

FIG. 7 is a bottom elevational view thereof; and,

FIG. 8 is a front perspective view thereof, the cellular phone being in an alternate position.

1 Claim, 3 Drawing Sheets

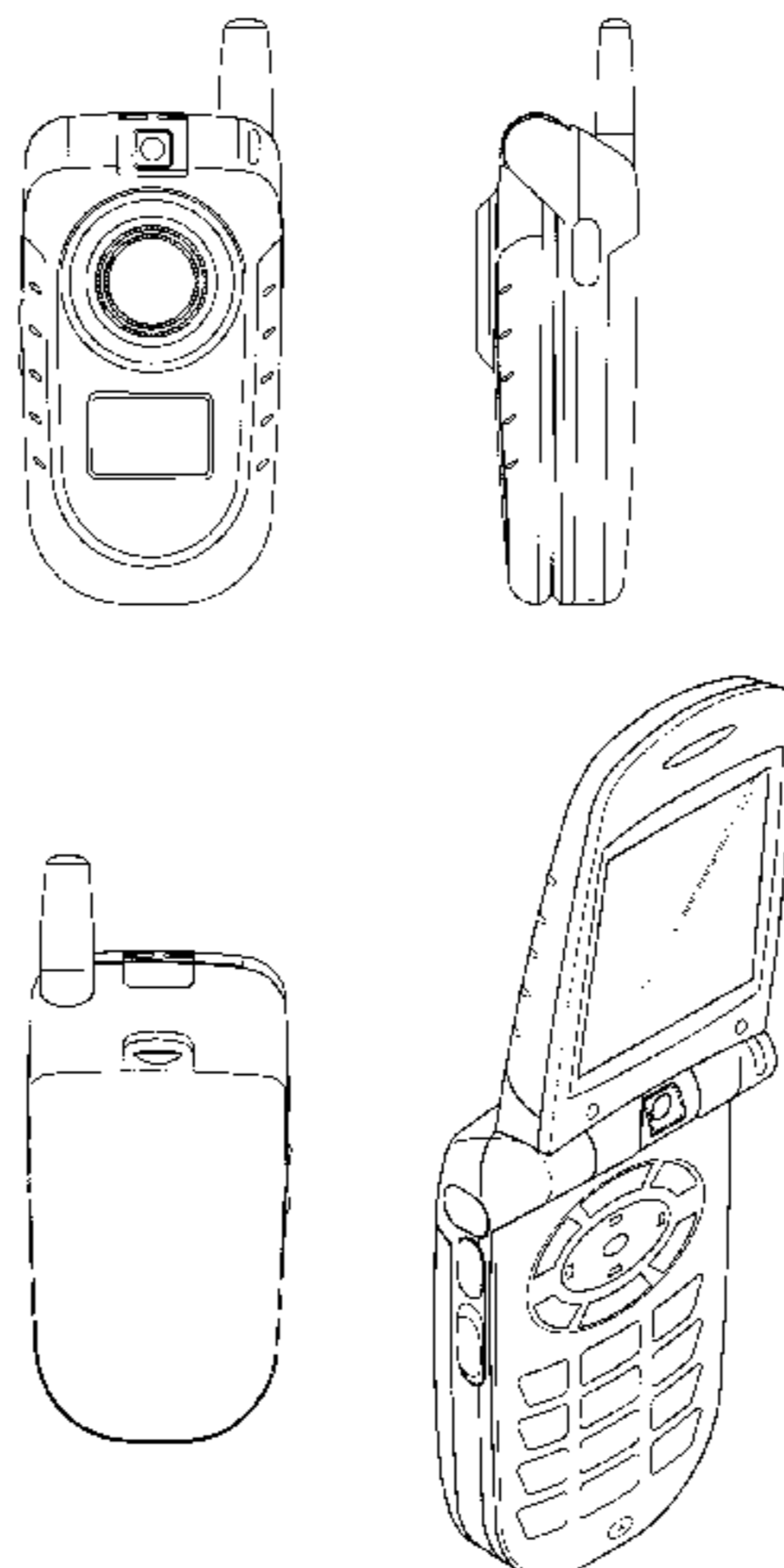


FIG. 1

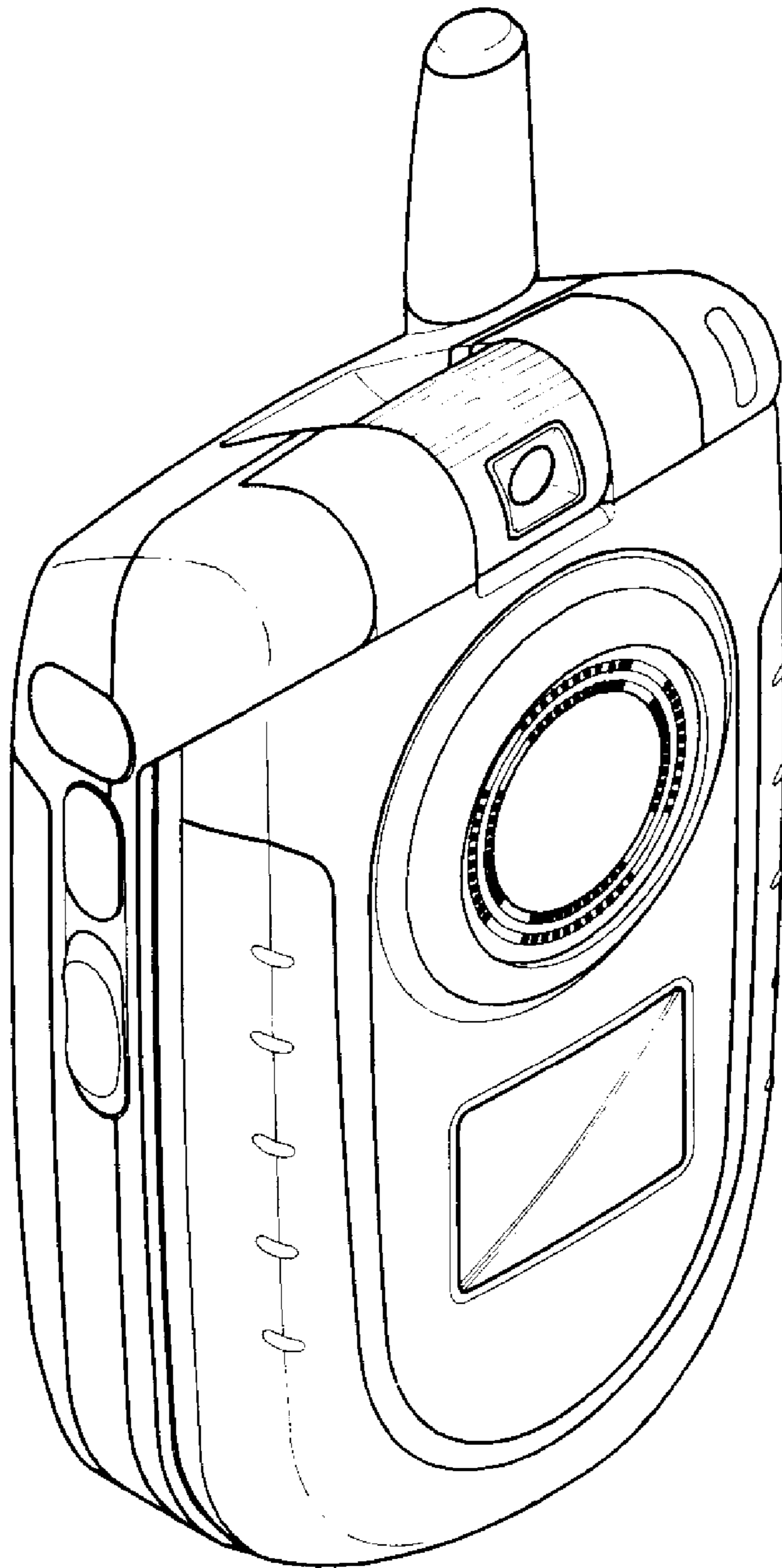


FIG. 2

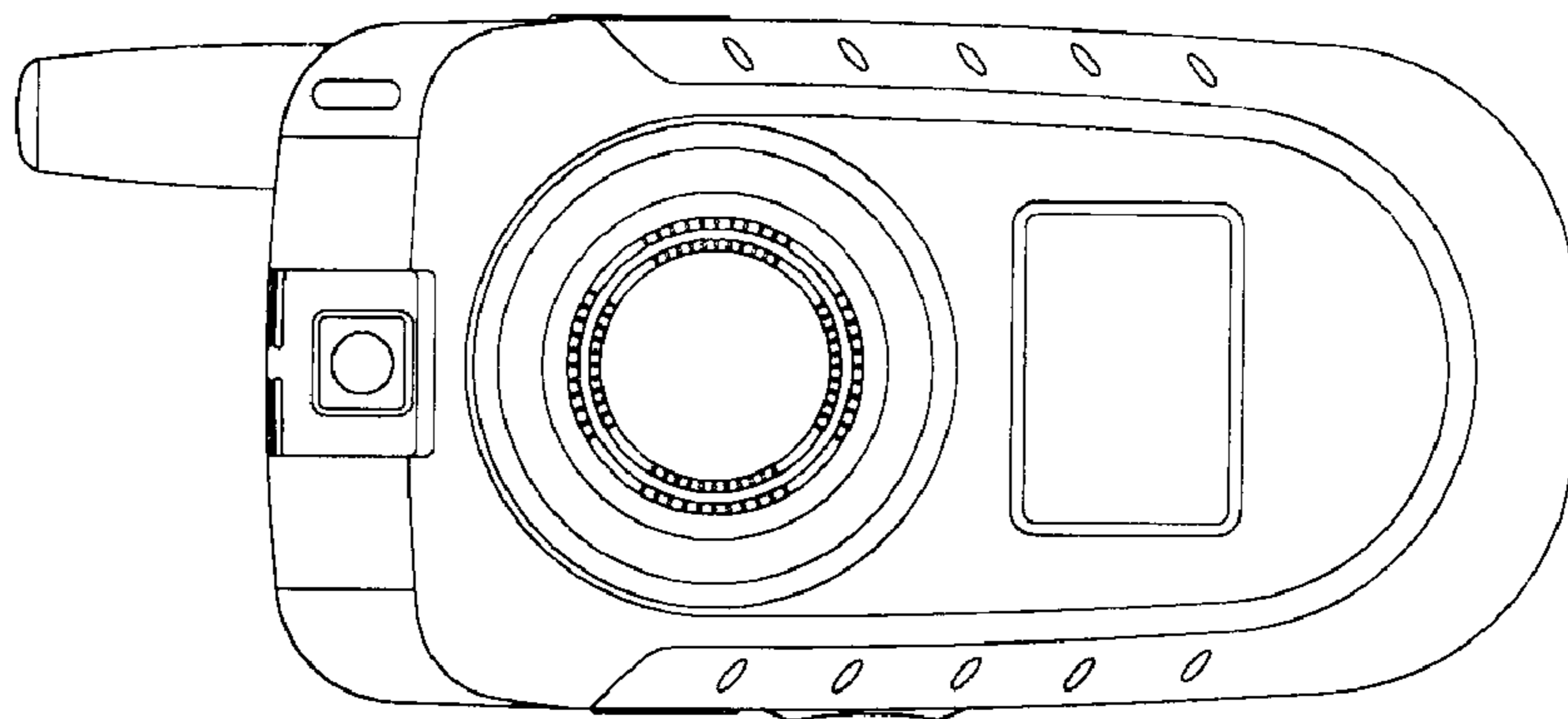


FIG. 3

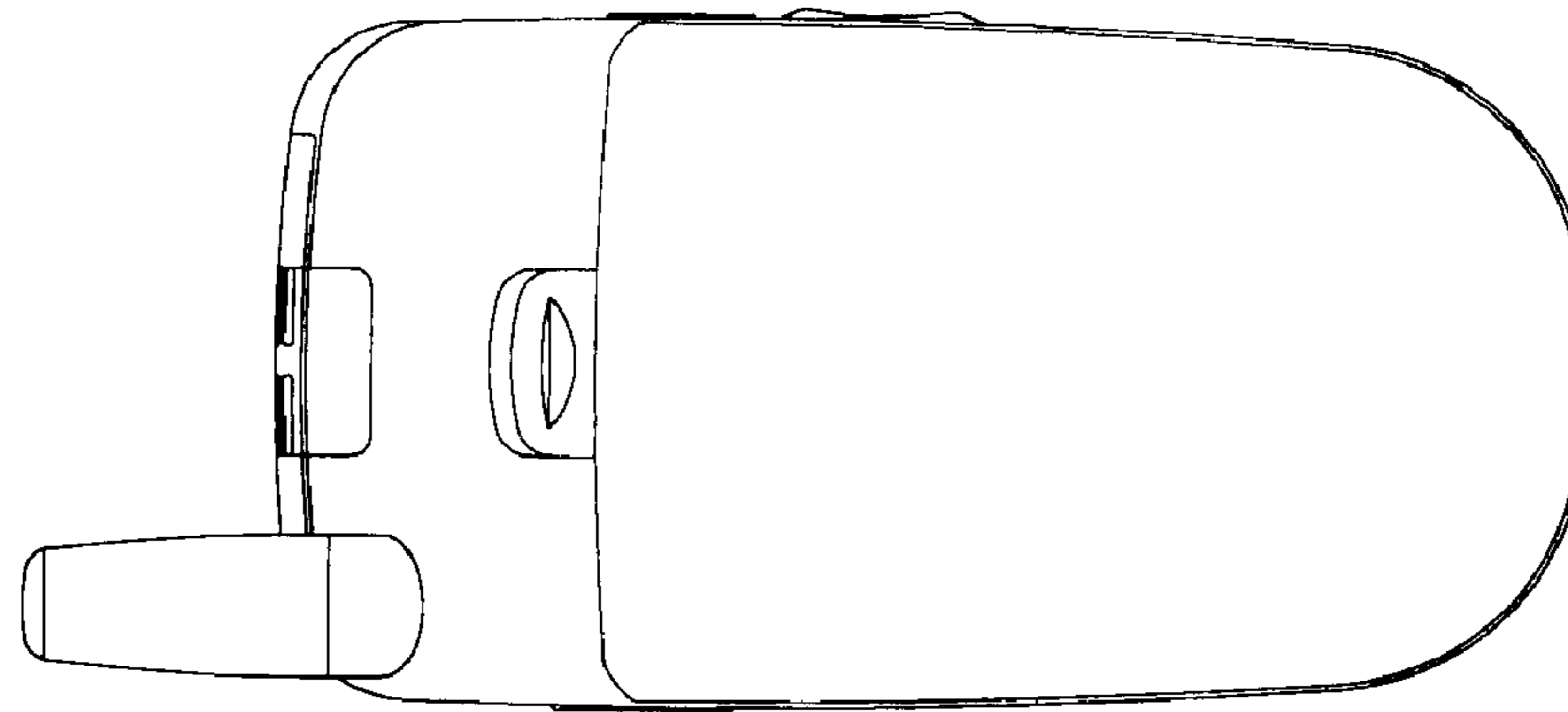


FIG. 4

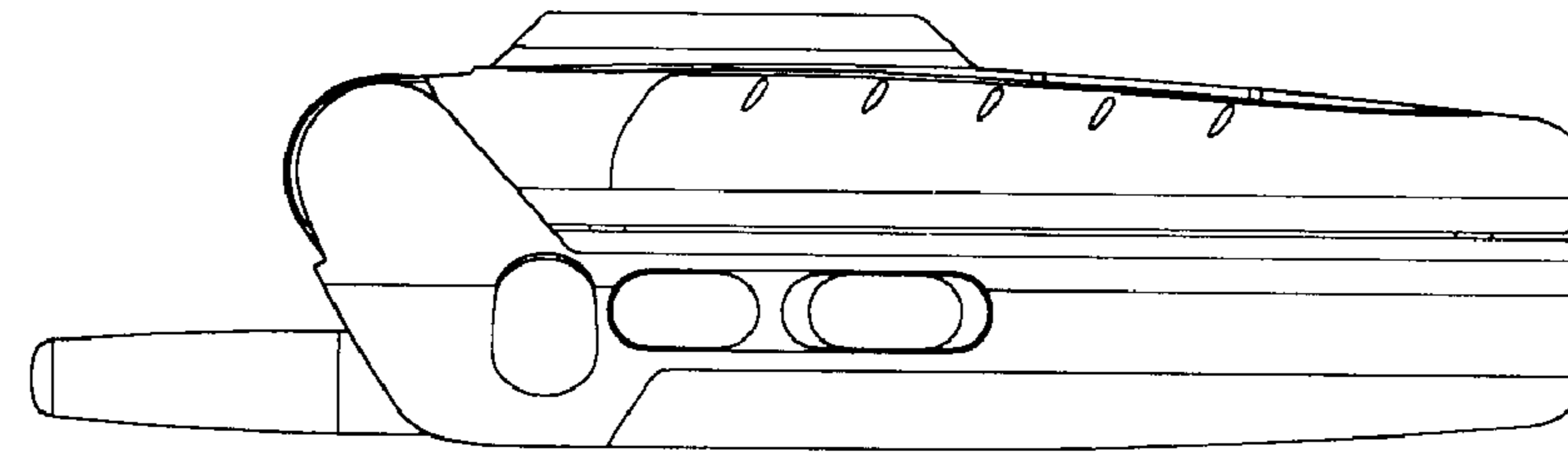


FIG. 5

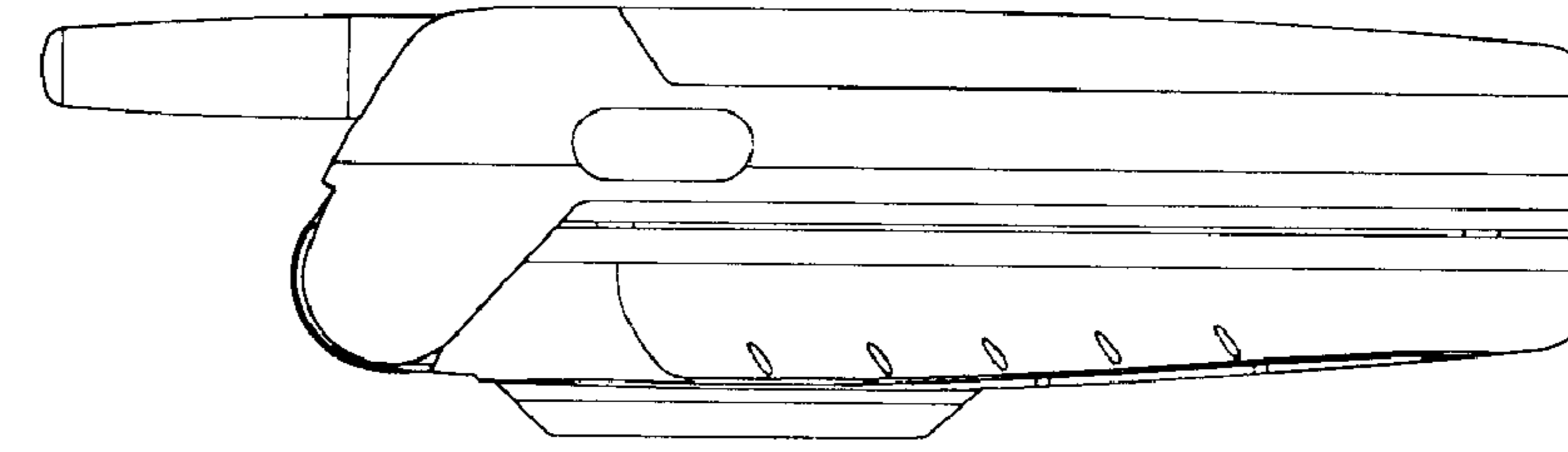


FIG. 6

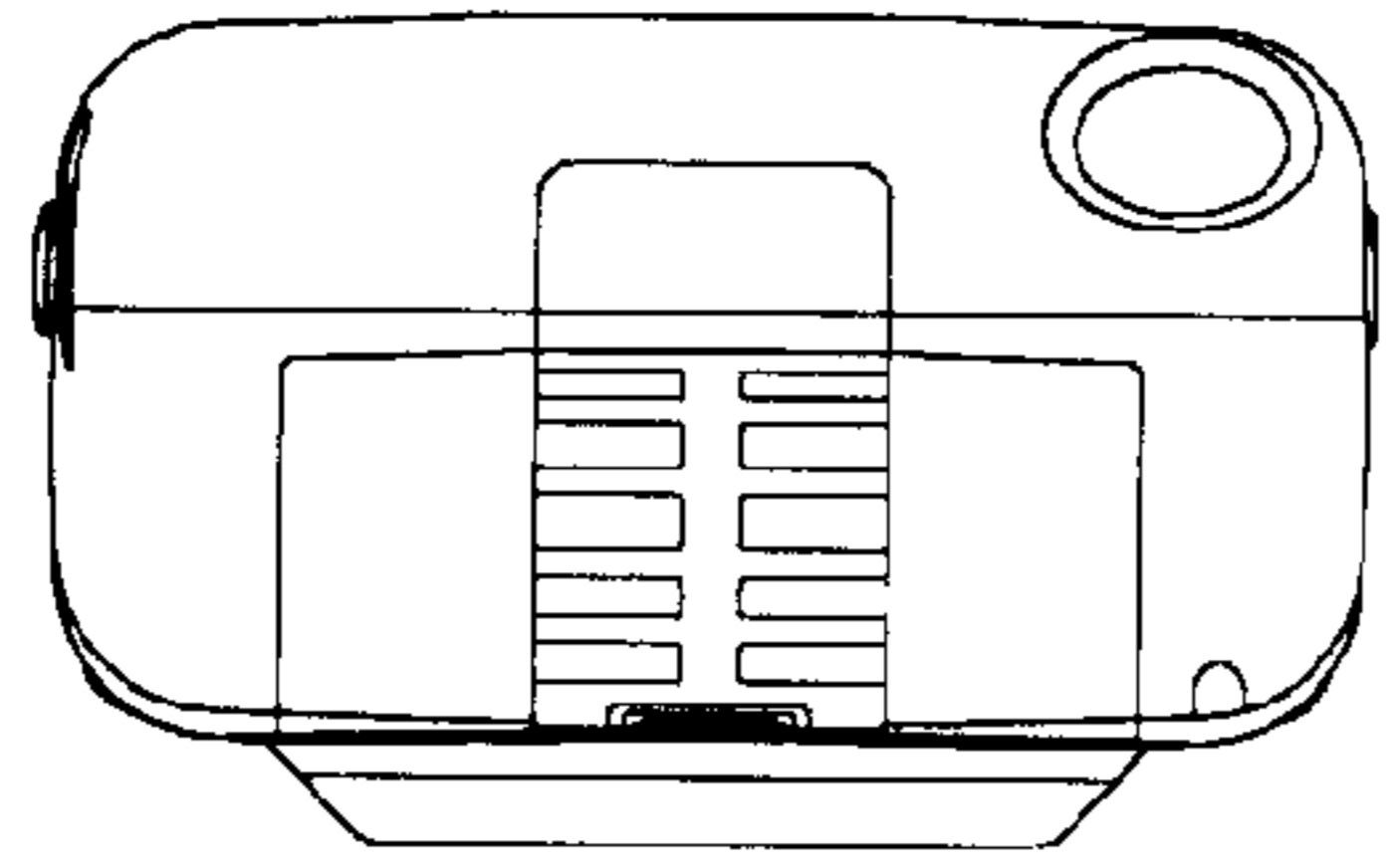


FIG. 7

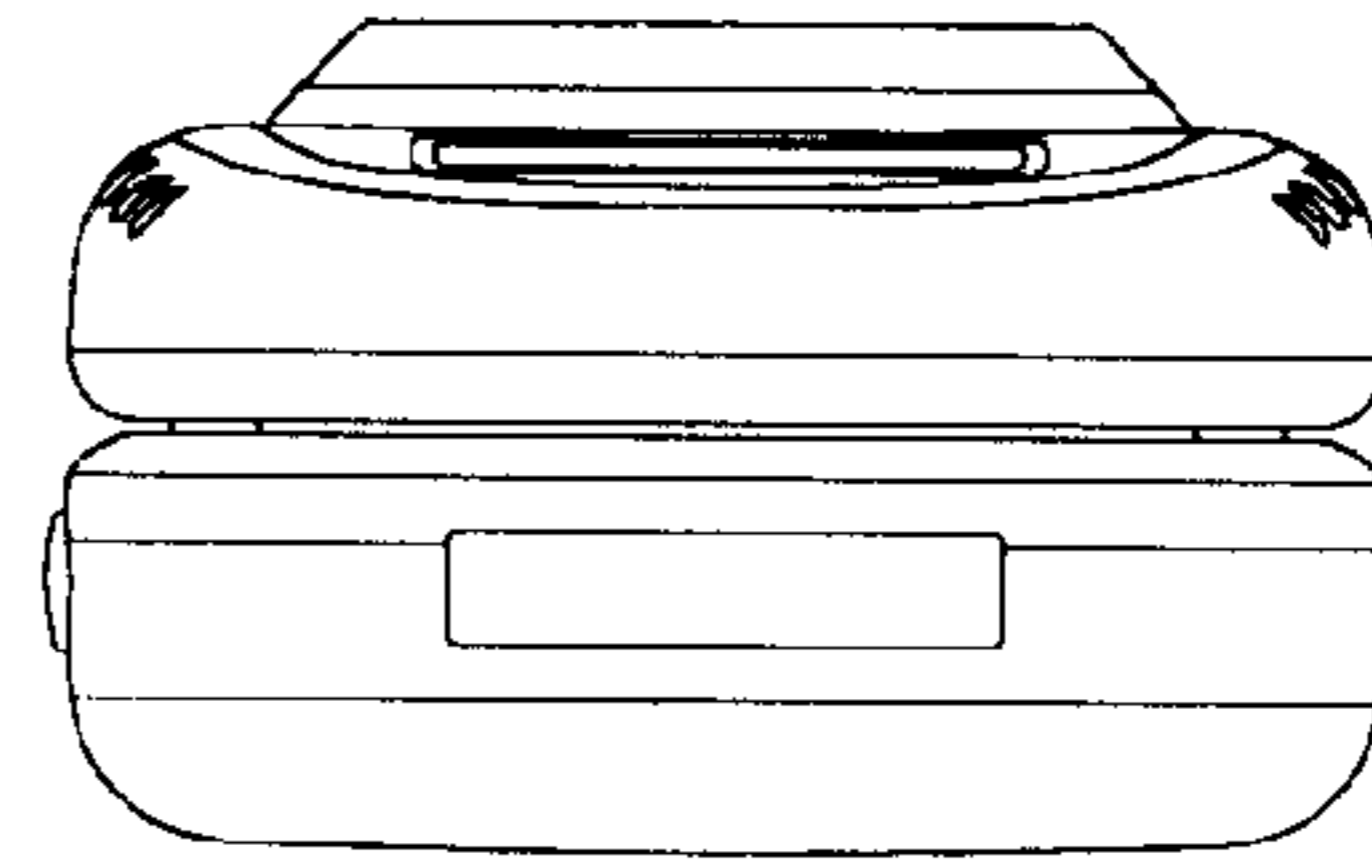


FIG. 8

