



US00D510076S

(12) **United States Design Patent**  
**Wu**

(10) **Patent No.:** **US D510,076 S**

(45) **Date of Patent:** **\*\* Sep. 27, 2005**

(54) **MULTI-MEDIA DVD RECORDING AND/OR REPRODUCING DEVICE**

(75) Inventor: **Chun-Ting Wu**, Hsinchu (TW)

(73) Assignee: **Lite-On It Corporation**, Taipei City (TW)

(\*\*) Term: **14 Years**

(21) Appl. No.: **29/204,035**

(22) Filed: **Apr. 20, 2004**

(30) **Foreign Application Priority Data**

Feb. 27, 2004 (TW) ..... 93301073

(51) **LOC (8) Cl.** ..... **14-01**

(52) **U.S. Cl.** ..... **D14/136**

(58) **Field of Search** ..... D14/135-136, D14/156-157, 160-165, 167-168, 192-198, 188, 217, 257, 258, 445; 360/99.02, 99.07; 369/75.11, 75.21, 77.21, 77.11; 720/612, 619, 647, 655; 455/344, 347-351

(56) **References Cited**

**U.S. PATENT DOCUMENTS**

4,434,480 A \* 2/1984 Fukumitsu ..... 369/77.21

D321,689 S \* 11/1991 Yamakawa ..... D14/188  
D324,679 S \* 3/1992 Yang ..... D14/136  
D410,919 S \* 6/1999 Sato et al. .... D14/136  
D466,876 S \* 12/2002 Usami et al. .... D14/136  
D476,305 S \* 6/2003 Orihara et al. .... D14/168

\* cited by examiner

*Primary Examiner*—Nanda Bondade

(74) *Attorney, Agent, or Firm*—Thomas, Kayden, Horstemeyer & Risley

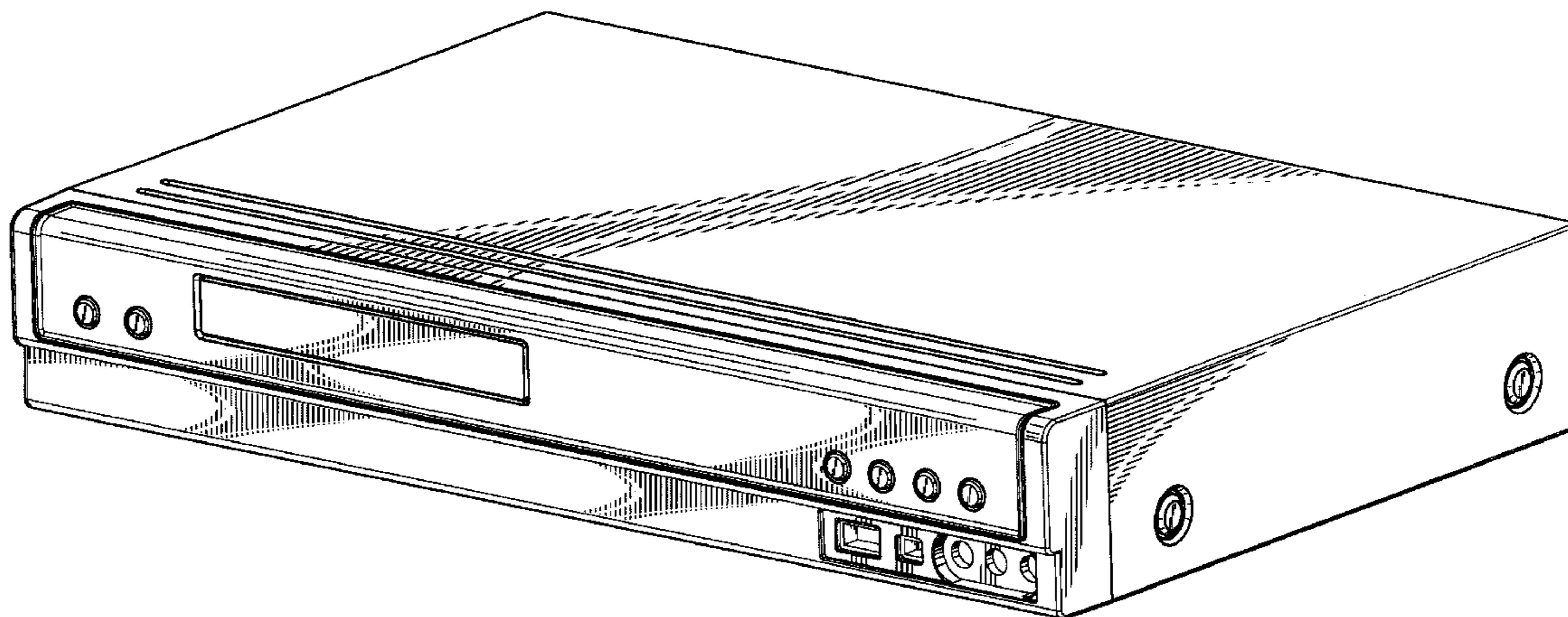
(57) **CLAIM**

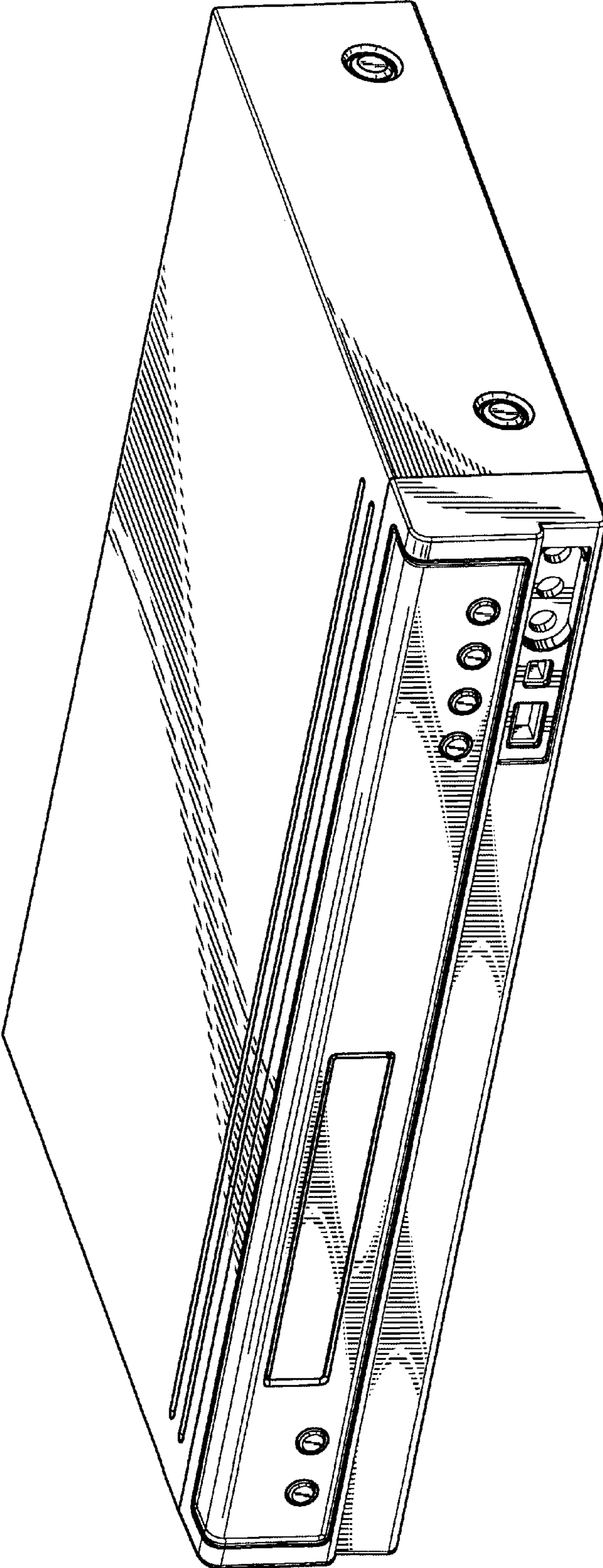
The ornamental design for a multi-media DVD recording and/or reproducing device, as shown.

**DESCRIPTION**

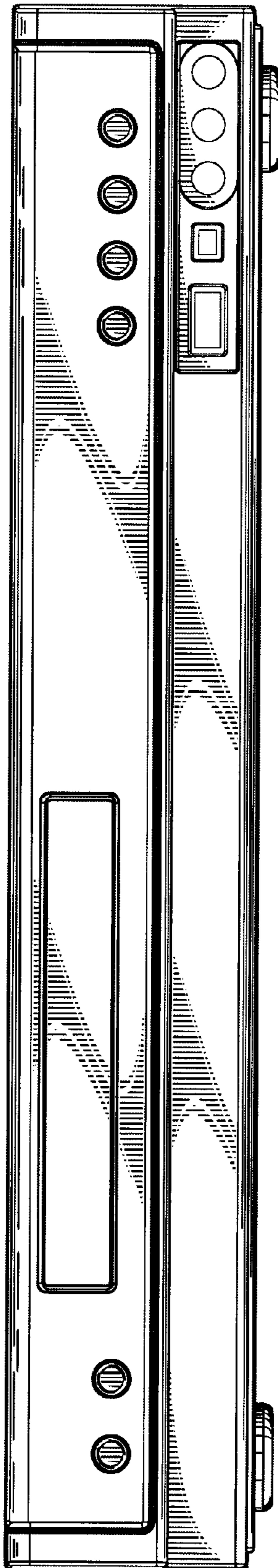
FIG. 1 is a perspective view of multi-media DVD recording and/or reproducing device showing my new design; FIG. 2 is a front elevational view thereof; FIG. 3 is a rear elevational view thereof; FIG. 4 is a left side elevational view thereof; FIG. 5 is a right side elevational view thereof; FIG. 6 is a top plan view thereof; and, FIG. 7 is a bottom plan view thereof. FIGS. 4 and 5 are on an enlarged scale.

**1 Claim, 5 Drawing Sheets**

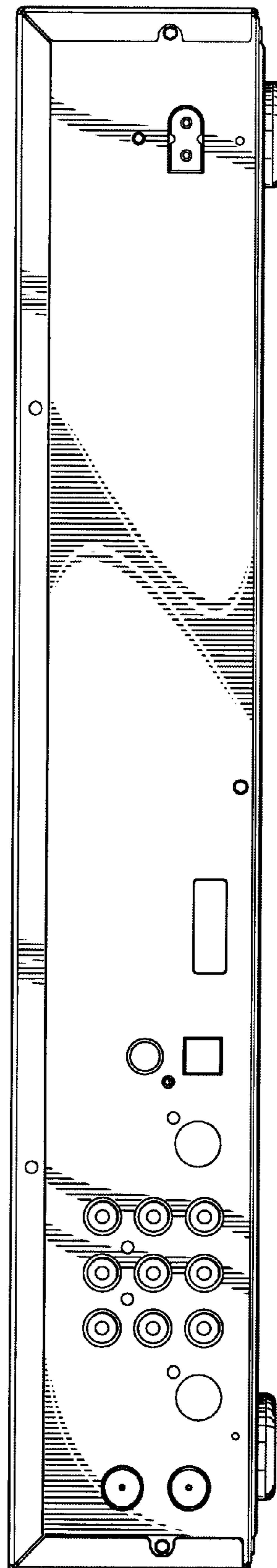




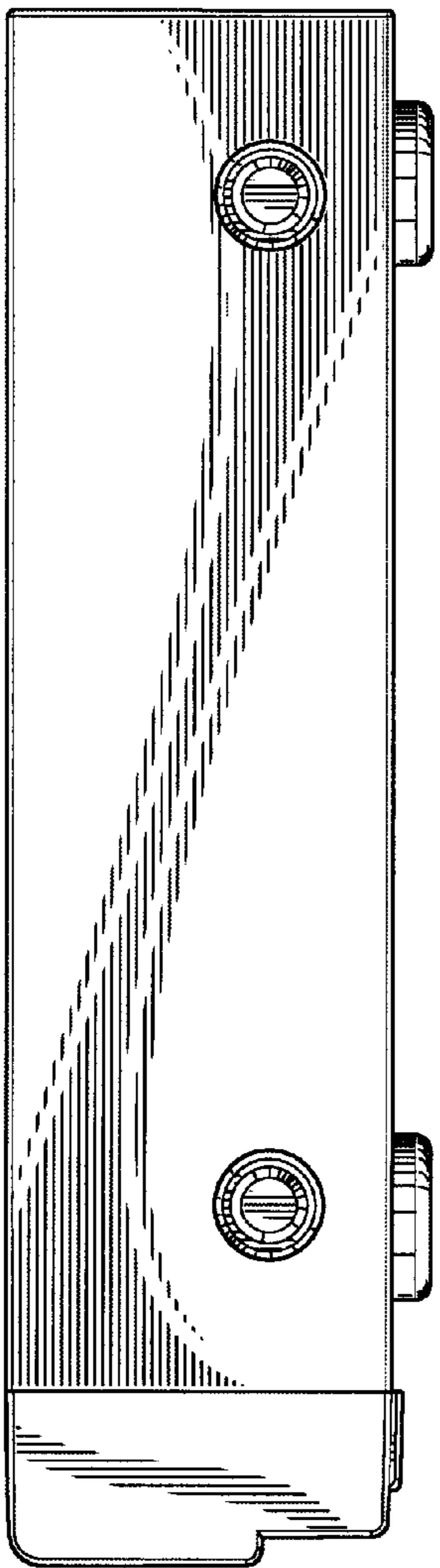
*Fig. 1*



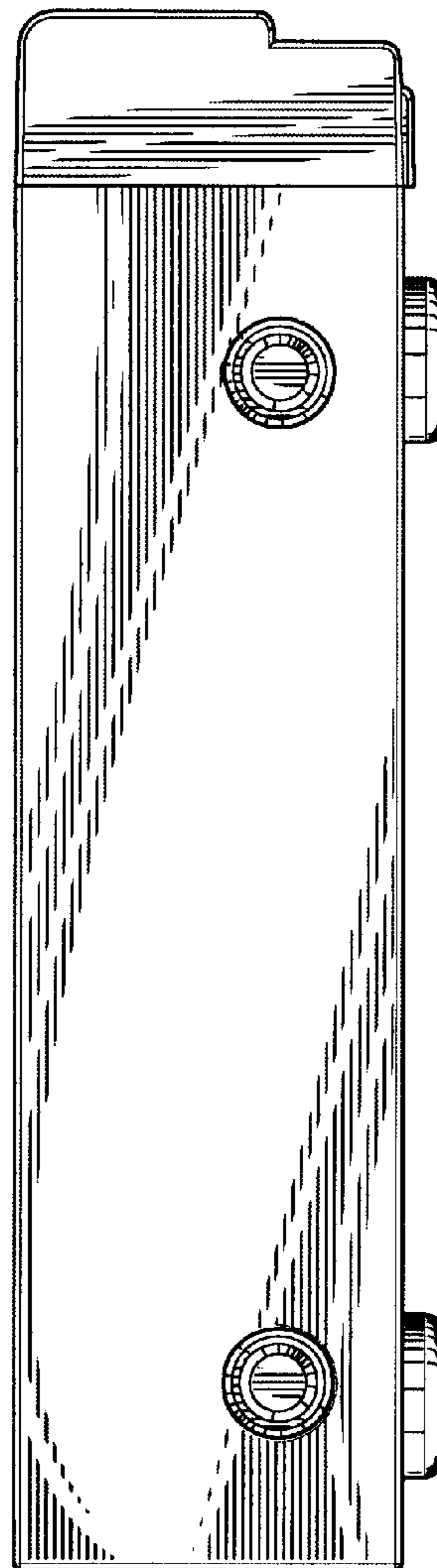
*Fig. 2*



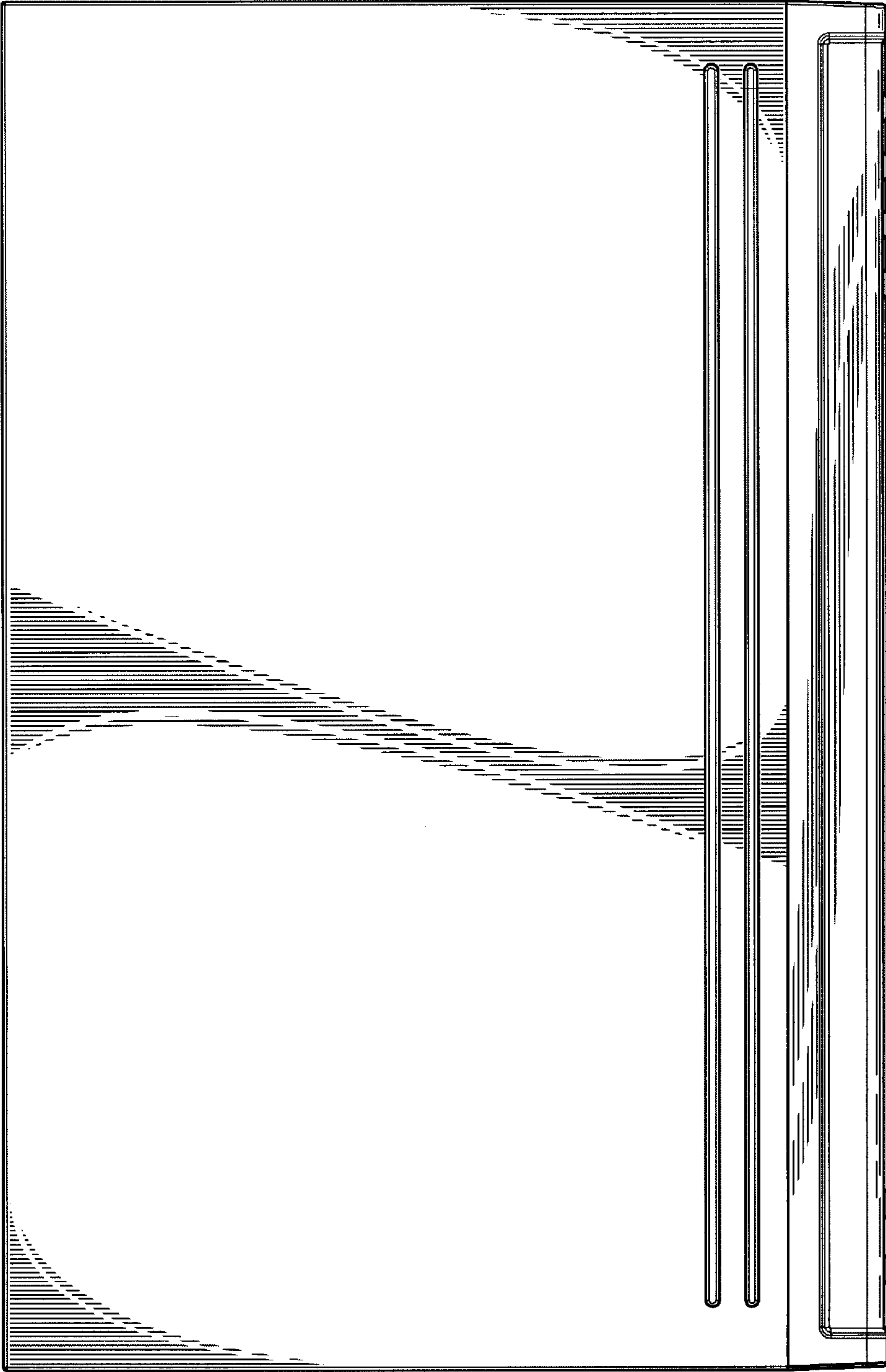
*Fig. 3*



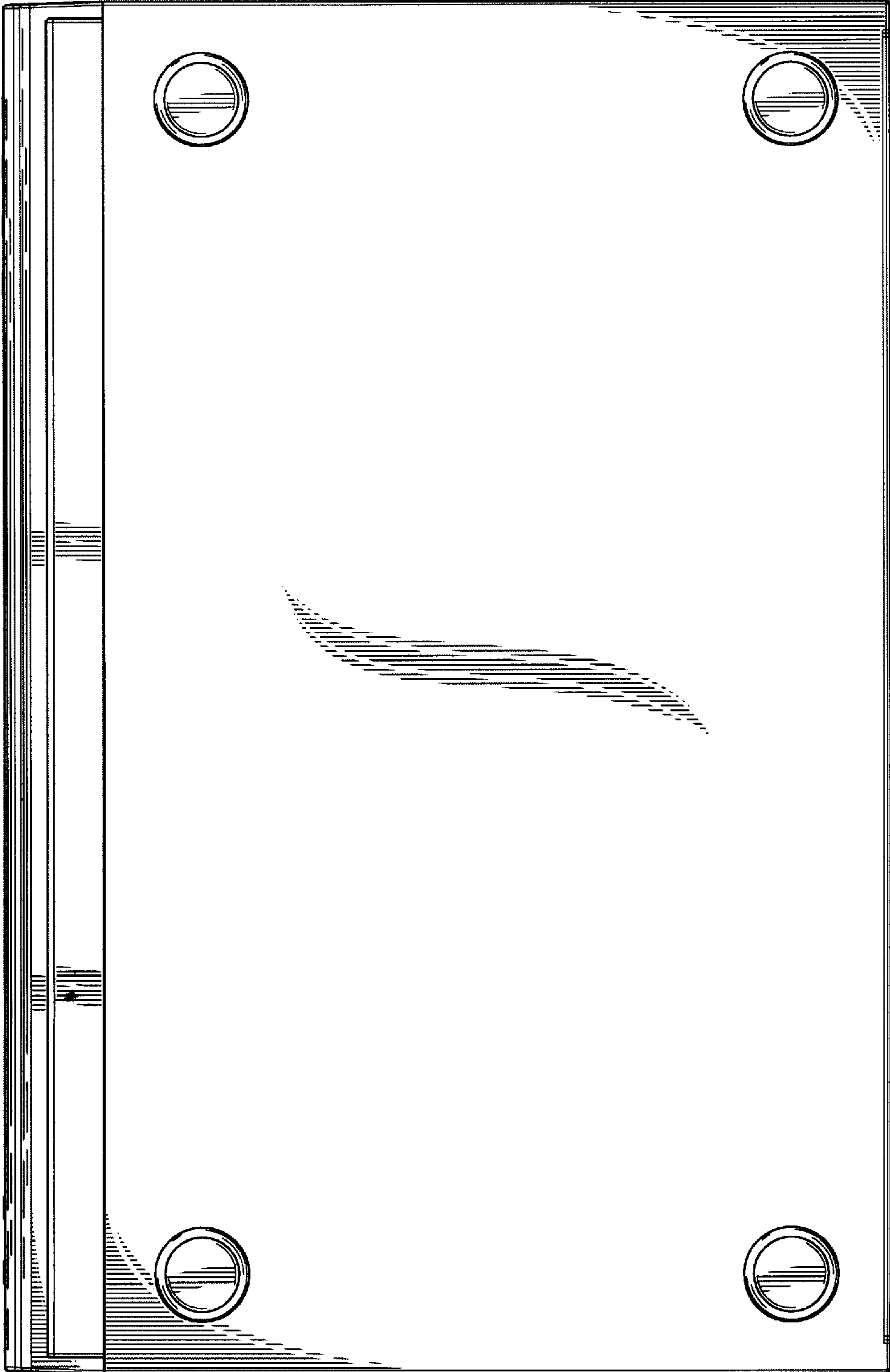
*Fig. 4*



*Fig. 5*



*Fig. 6*



*Fig. 7*