



US00D510073S

(12) **United States Design Patent**  
**Jacoby et al.**

(10) **Patent No.: US D510,073 S**

(45) **Date of Patent: \*\* Sep. 27, 2005**

(54) **CONTROL PANEL**

(75) Inventors: **Elliot G. Jacoby**, Glenside, PA (US);  
**Joel S. Spira**, Coopersburg, PA (US)

(73) Assignee: **Lutron Electronics Co., Inc.**,  
Coopersburg, PA (US)

(\*\*) Term: **14 Years**

(21) Appl. No.: **29/214,816**

(22) Filed: **Oct. 8, 2004**

(51) **LOC (8) Cl.** ..... **13-03**

(52) **U.S. Cl.** ..... **D13/164**

(58) **Field of Search** ..... D13/162, 164,  
D13/170, 171, 177; D8/350, 353; 174/66,  
67; 200/5 A, 5 R, 237, 293, 308, 310, 313,  
314, 329, 341; 315/291, 295, 320; 338/184,  
226

(56) **References Cited**

**U.S. PATENT DOCUMENTS**

5,495,887 A \* 3/1996 Kathnelson et al. .... 165/11.1  
D421,246 S \* 2/2000 Mayo et al. .... D13/162  
D422,969 S \* 4/2000 Mayo et al. .... D13/164

D428,855 S \* 8/2000 Mayo et al. .... D13/164  
D436,579 S \* 1/2001 Mayo et al. .... D13/162  
D441,723 S \* 5/2001 Mayo et al. .... D13/162  
D453,742 S \* 2/2002 Butler et al. .... D13/164  
6,713,702 B1 \* 3/2004 Lee ..... 200/520  
D490,061 S \* 5/2004 Bennett et al. .... D13/169

\* cited by examiner

*Primary Examiner*—Stella Reid

*Assistant Examiner*—Selina Sikder

(74) *Attorney, Agent, or Firm*—Drinker Biddle & Reath  
LLP

(57) **CLAIM**

The ornamental design for a control panel, as shown and  
described.

**DESCRIPTION**

FIG. 1 is a perspective view of a control panel showing our  
new design.

FIG. 2 is a top plan view thereof.

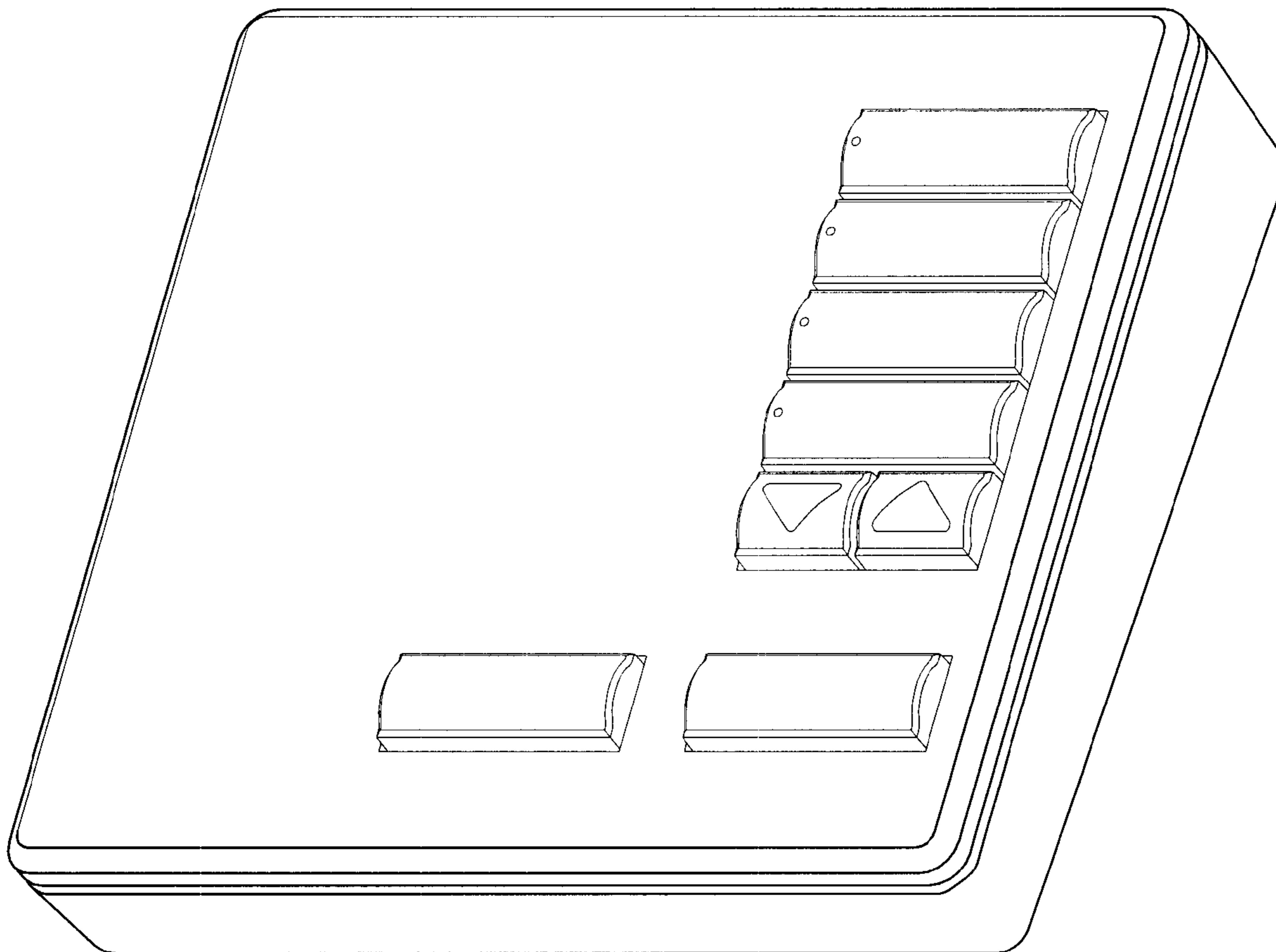
FIG. 3 is a left side view thereof.

FIG. 4 is a right side view thereof.

FIG. 5 is a front view thereof; and,

FIG. 6 is a rear view thereof.

**1 Claim, 4 Drawing Sheets**



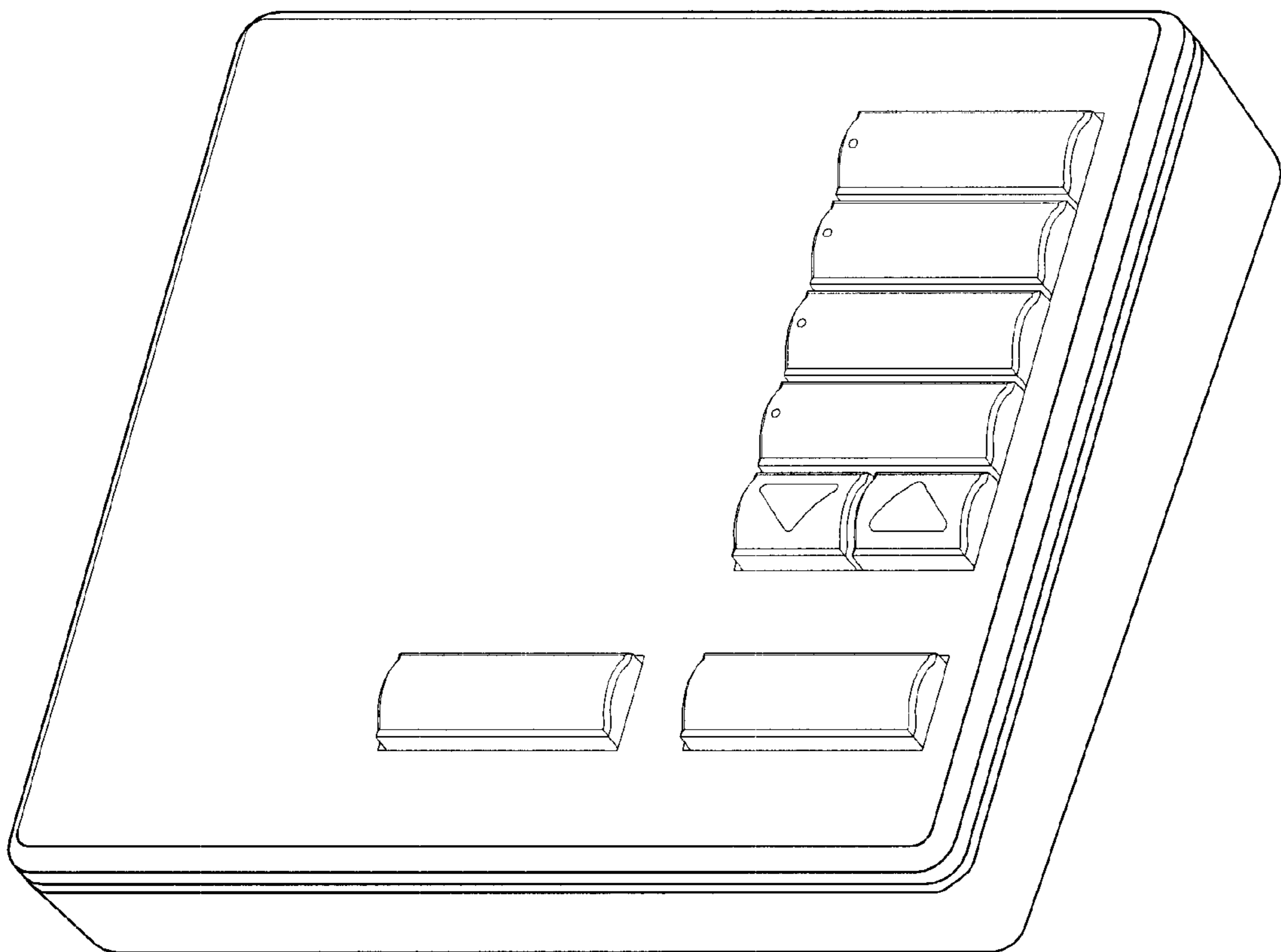


FIG. 1

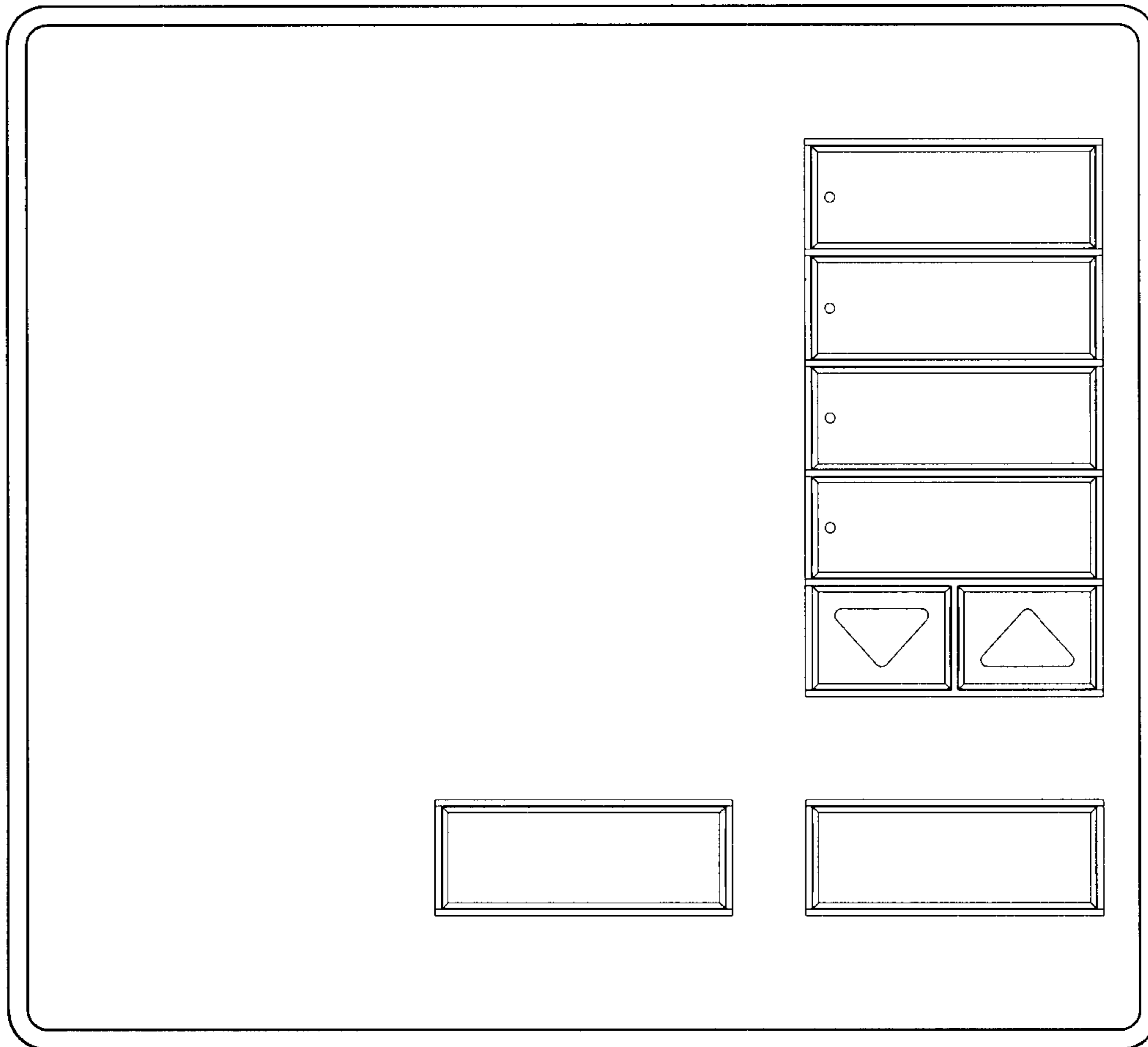


FIG. 2

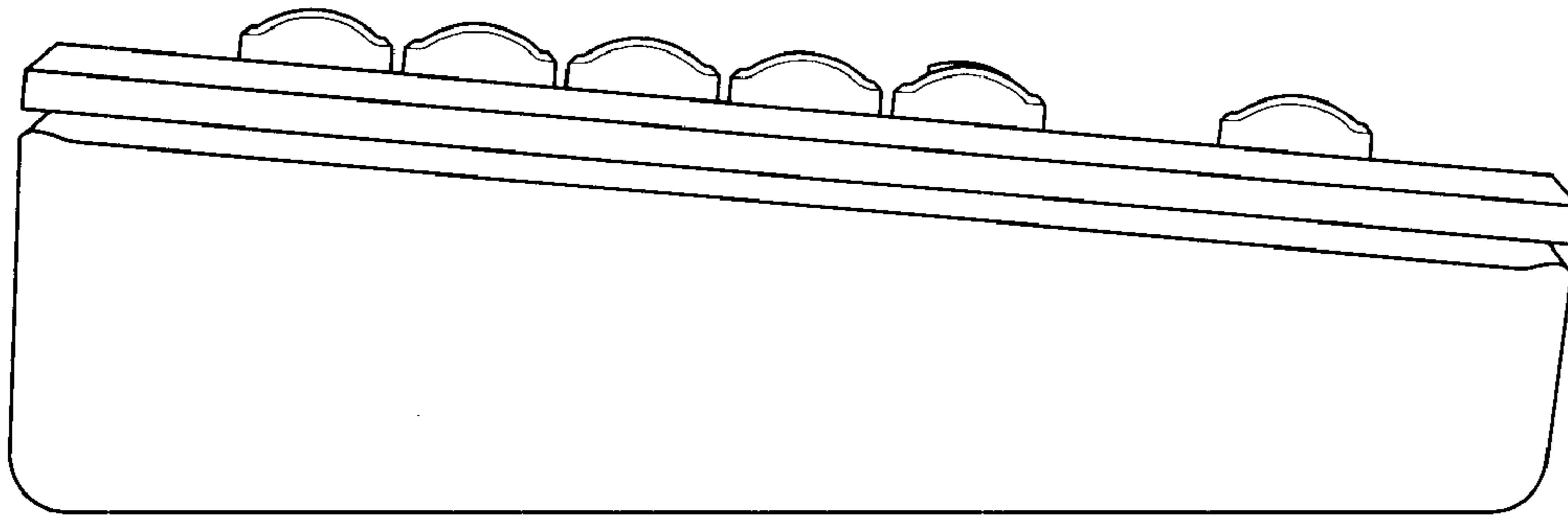


FIG. 3

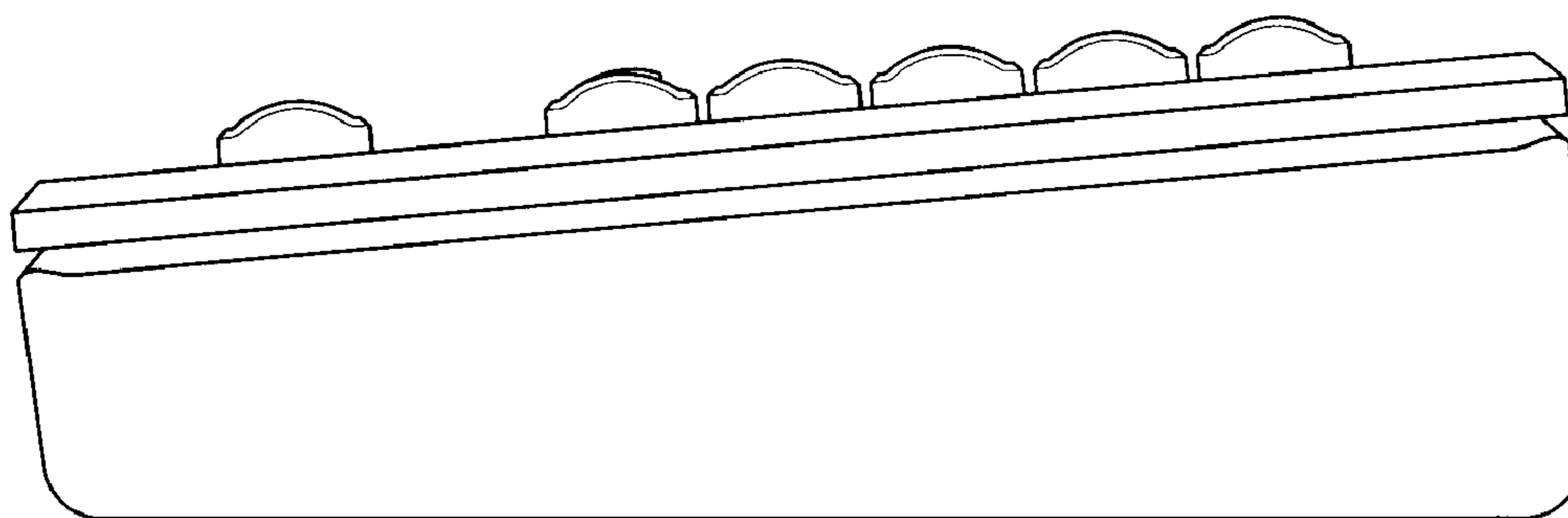


FIG. 4

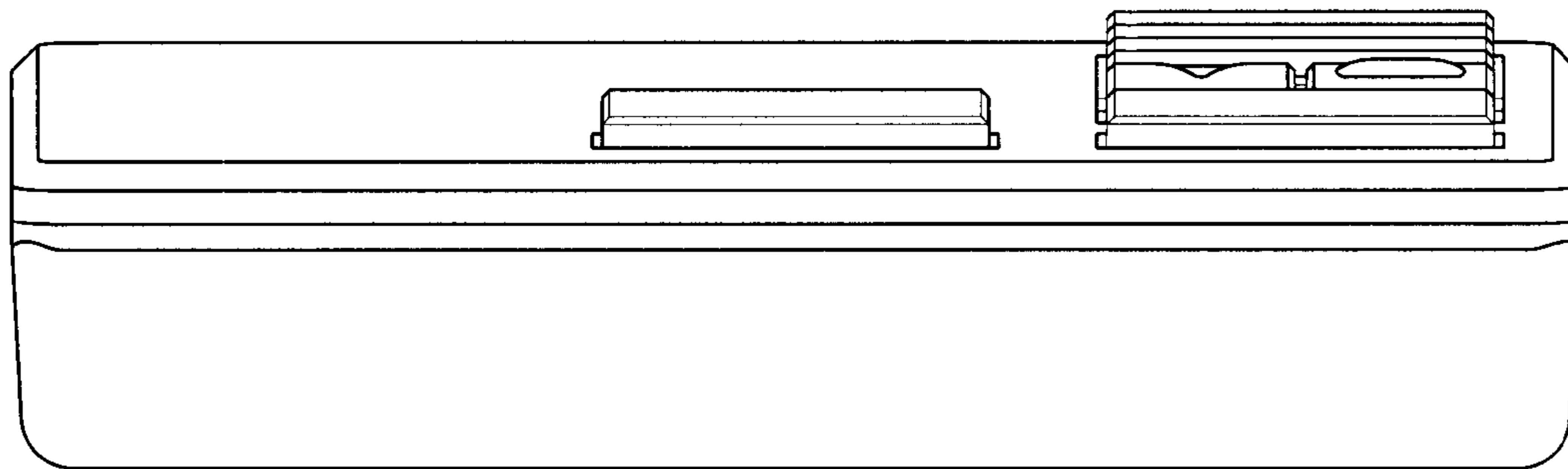


FIG. 5

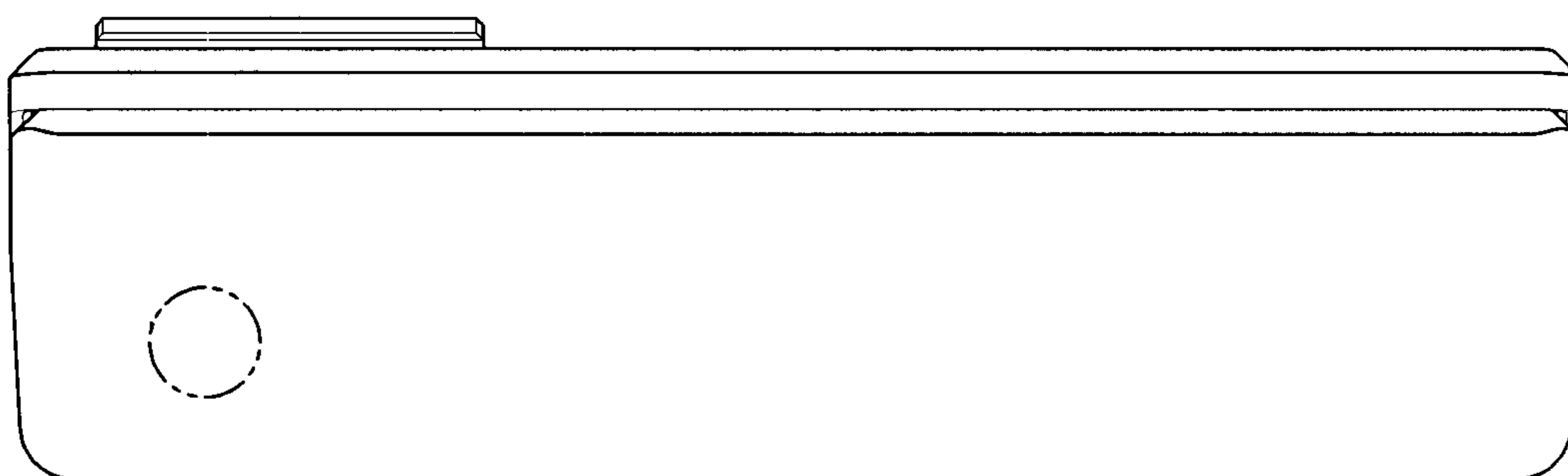


FIG. 6