



US00D510069S

(12) **United States Design Patent** (10) **Patent No.:** **US D510,069 S**
Tsai (45) **Date of Patent:** **** Sep. 27, 2005**

(54) **HDMI CONNECTOR**

(75) Inventor: **Wen-Hsien Tsai**, Taipei Hsien (TW)

(73) Assignee: **Advanced Connectek, Inc.**, Taipei (TW)

(**) Term: **14 Years**

(21) Appl. No.: **29/198,212**

(22) Filed: **Jan. 28, 2004**

(51) **LOC (8) Cl.** **13-03**

(52) **U.S. Cl.** **D13/147**

(58) **Field of Search** D13/147; 439/79, 439/108, 607-610

(56) **References Cited**

U.S. PATENT DOCUMENTS

| | | | | | | |
|-----------|----|---|---------|------------|-------|-----------|
| 6,238,241 | B1 | * | 5/2001 | Zhu et al. | | 439/541.5 |
| D450,302 | S | * | 11/2001 | Shimojyo | | D13/147 |
| D451,477 | S | * | 12/2001 | Shimojyo | | D13/147 |
| D452,480 | S | * | 12/2001 | Shimojyo | | D13/147 |
| D452,481 | S | * | 12/2001 | Shimojyo | | D13/147 |
| D452,847 | S | * | 1/2002 | Shimojyo | | D13/147 |
| D452,848 | S | * | 1/2002 | Shimojyo | | D13/147 |
| 6,659,799 | B2 | * | 12/2003 | Yang | | 439/607 |

* cited by examiner

Primary Examiner—Stella Reid
Assistant Examiner—Selina Sikder
 (74) *Attorney, Agent, or Firm*—Johnson, Lin & Associates, PC; Chauncey B. Johnson, Esq.

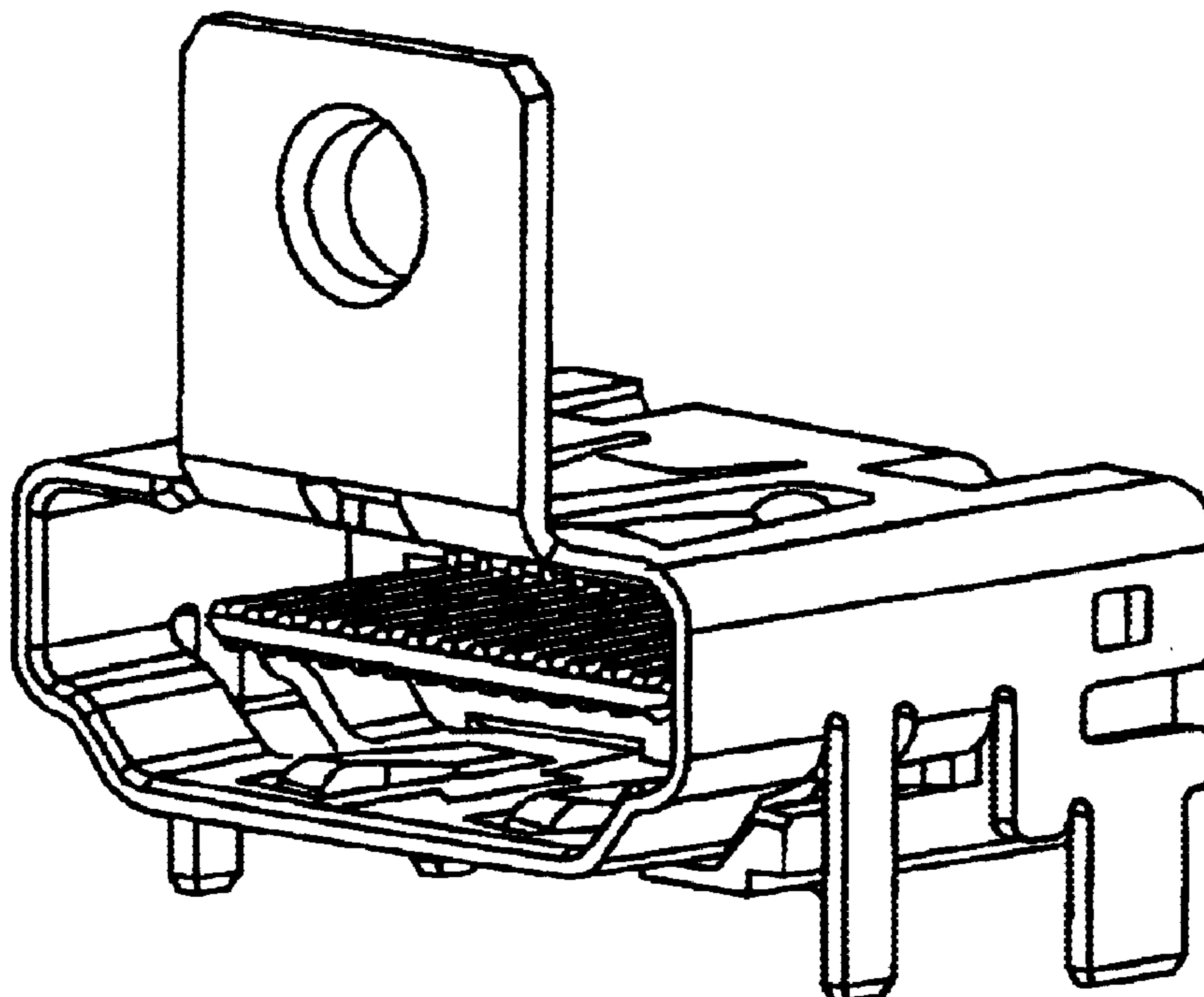
(57) **CLAIM**

I claim the ornamental design for a HDMI connector, as shown and described.

DESCRIPTION

FIG. 1 is a front and a lower right perspective view of a HDMI connector showing our new design;
 FIG. 2 is a top view of the HDMI connector shown in FIG. 1;
 FIG. 3 is a bottom view of the HDMI connector shown in FIG. 1;
 FIG. 4 is a front view of the HDMI connector shown in FIG. 1;
 FIG. 5 is a rear view of the HDMI connector shown in FIG. 1;
 FIG. 6 is a left side view of the HDMI connector shown in FIG. 1 ; and,
 FIG. 7 is a right side view of the HDMI connector shown in FIG. 1 .

1 Claim, 4 Drawing Sheets



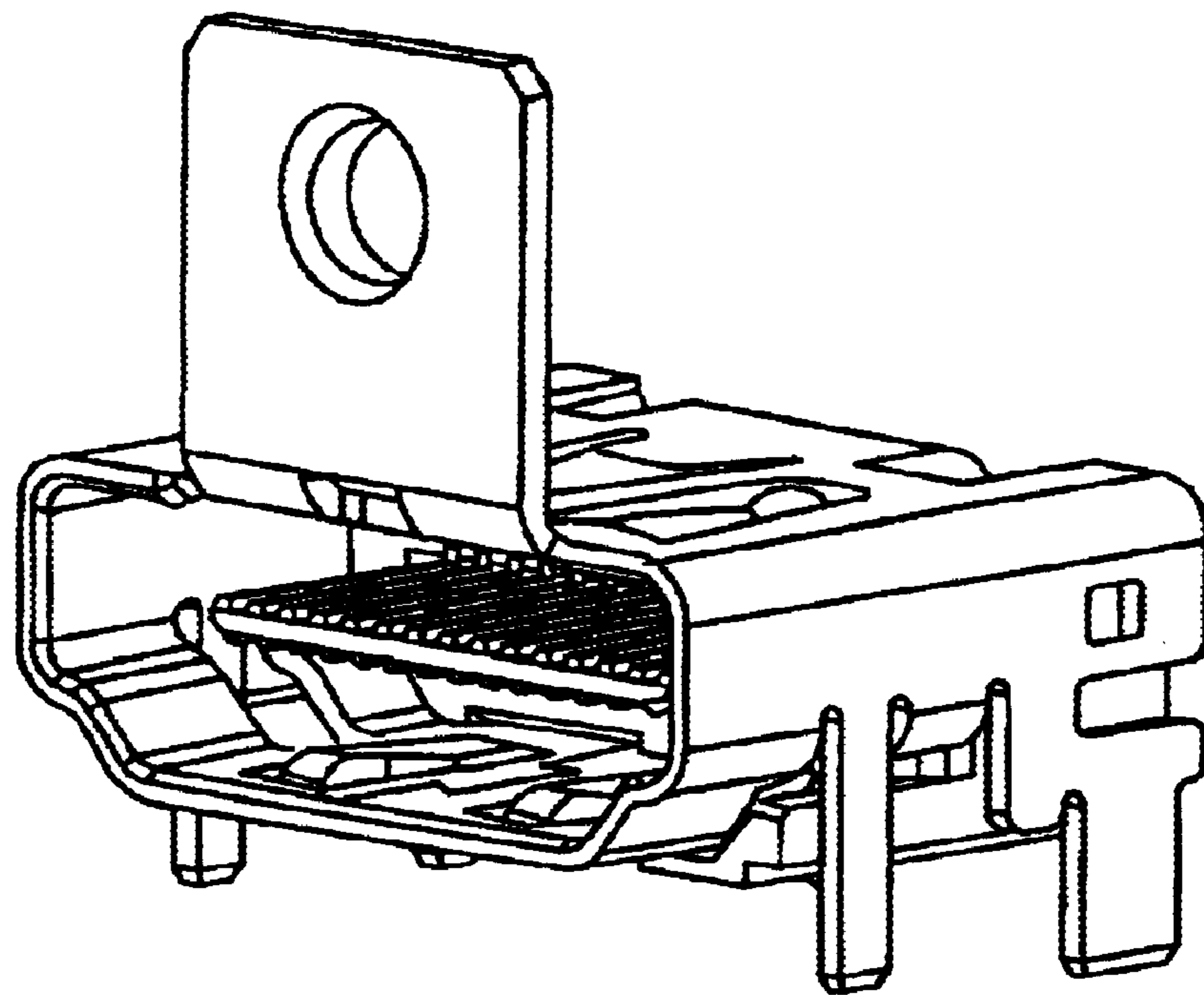


FIG. 1

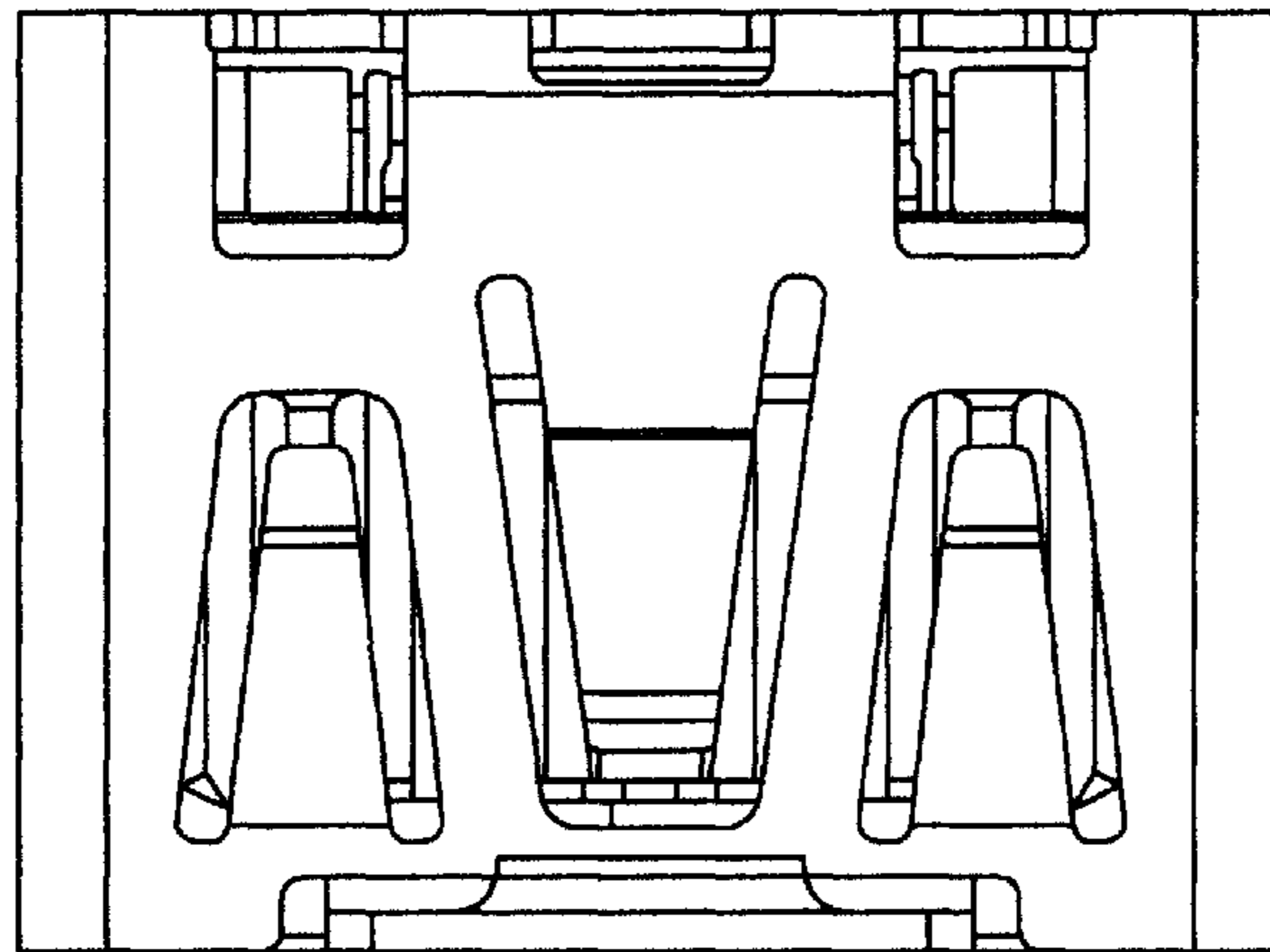


FIG. 2

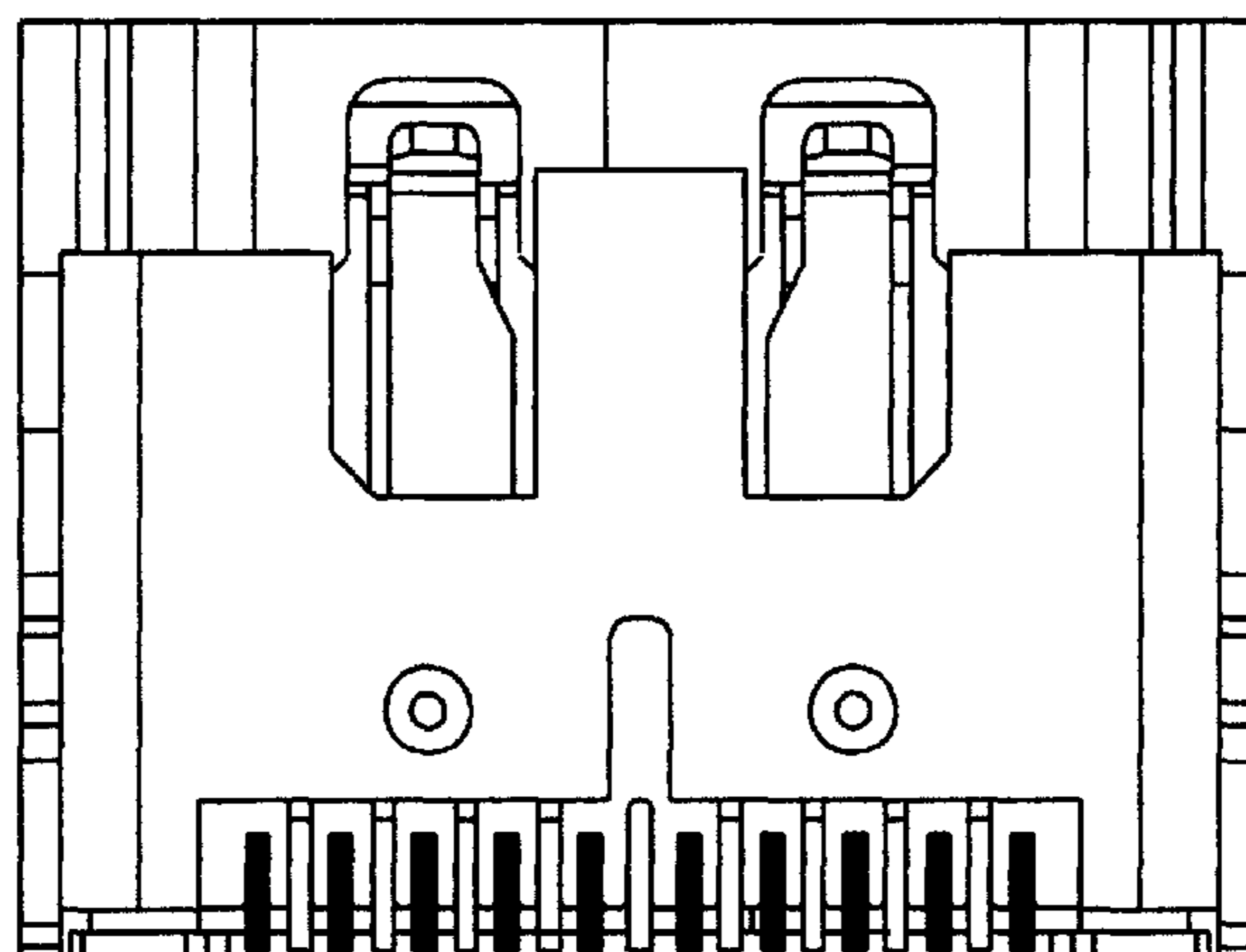


FIG. 3

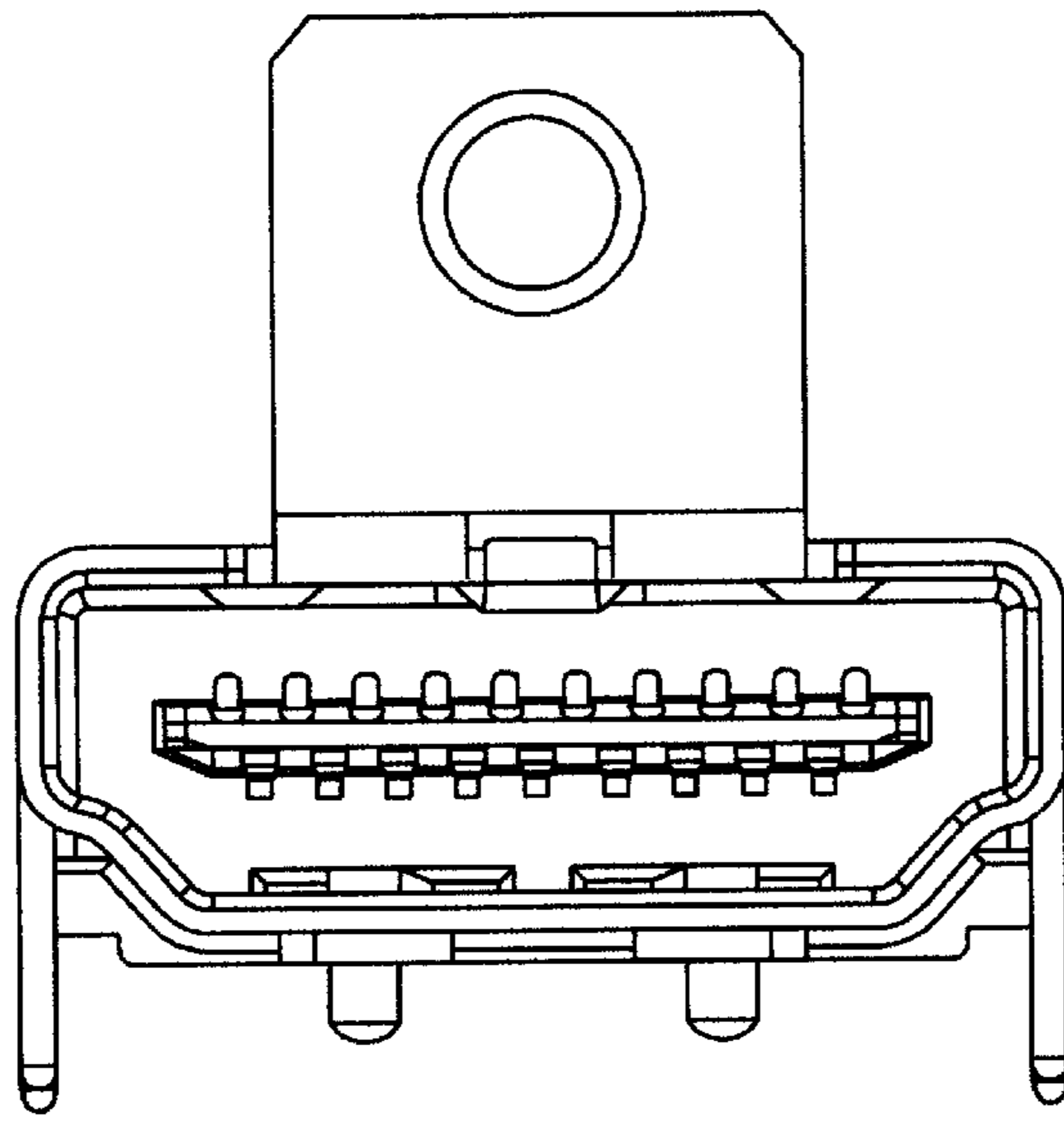


FIG. 4

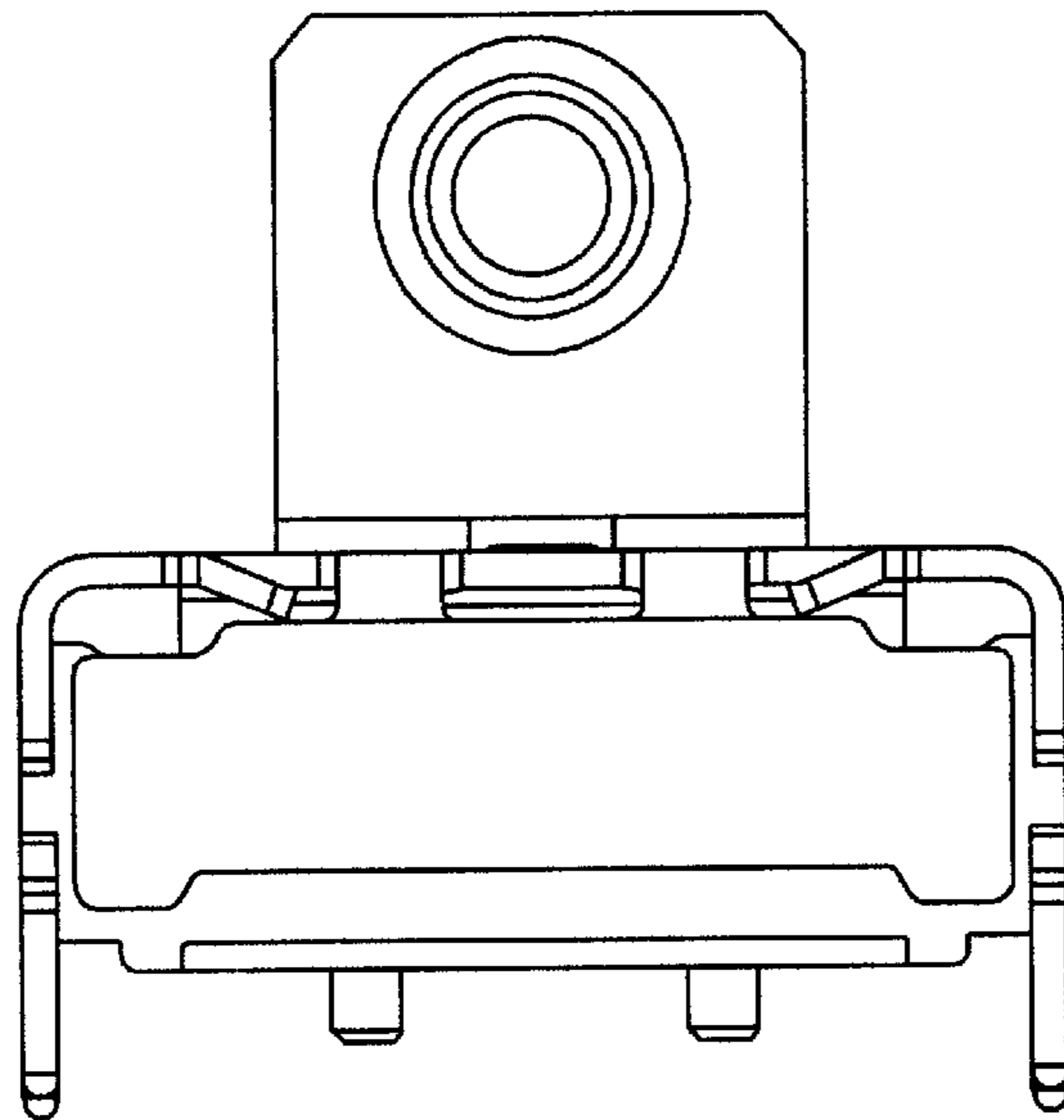


FIG. 5

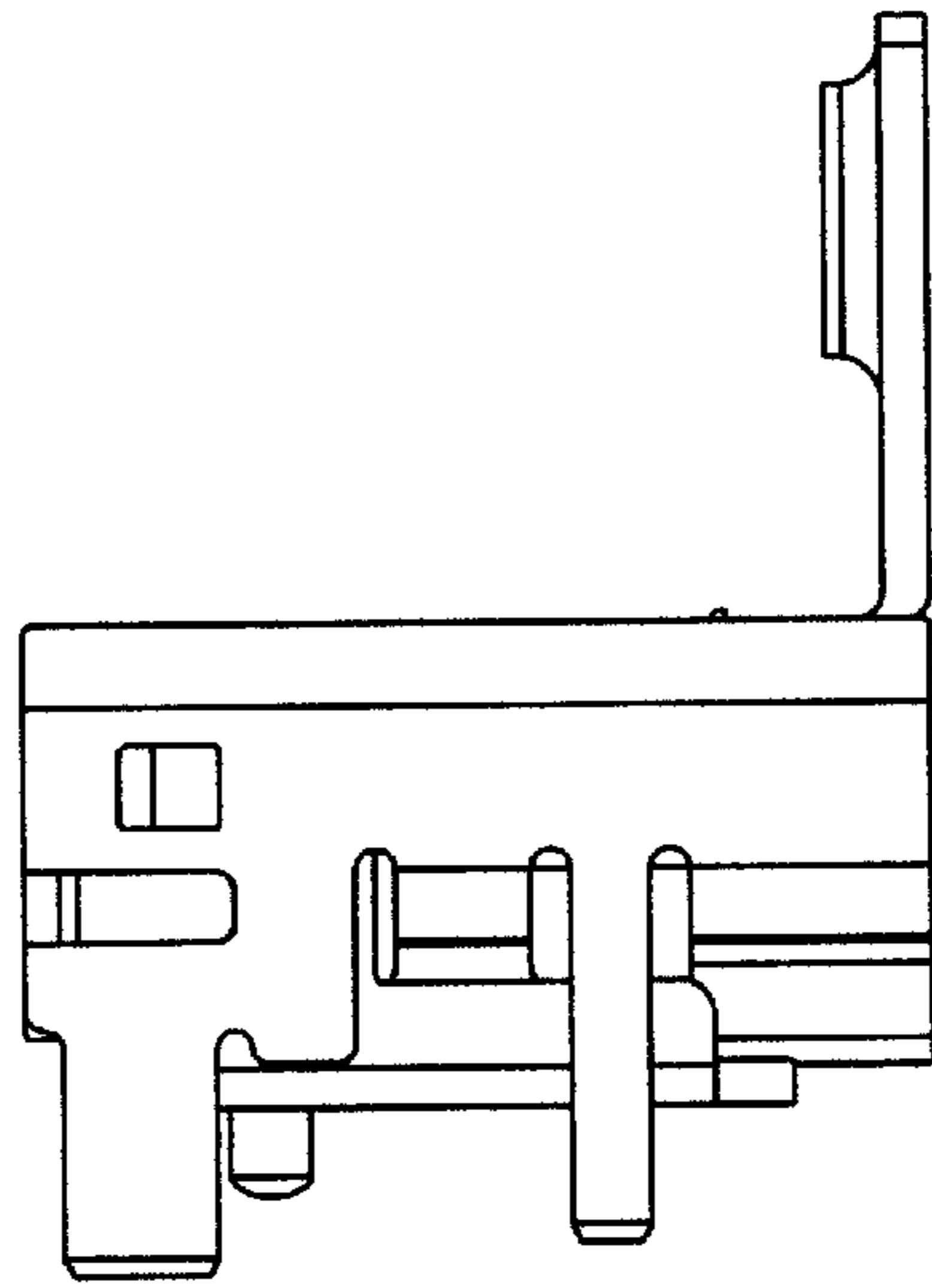


FIG. 6

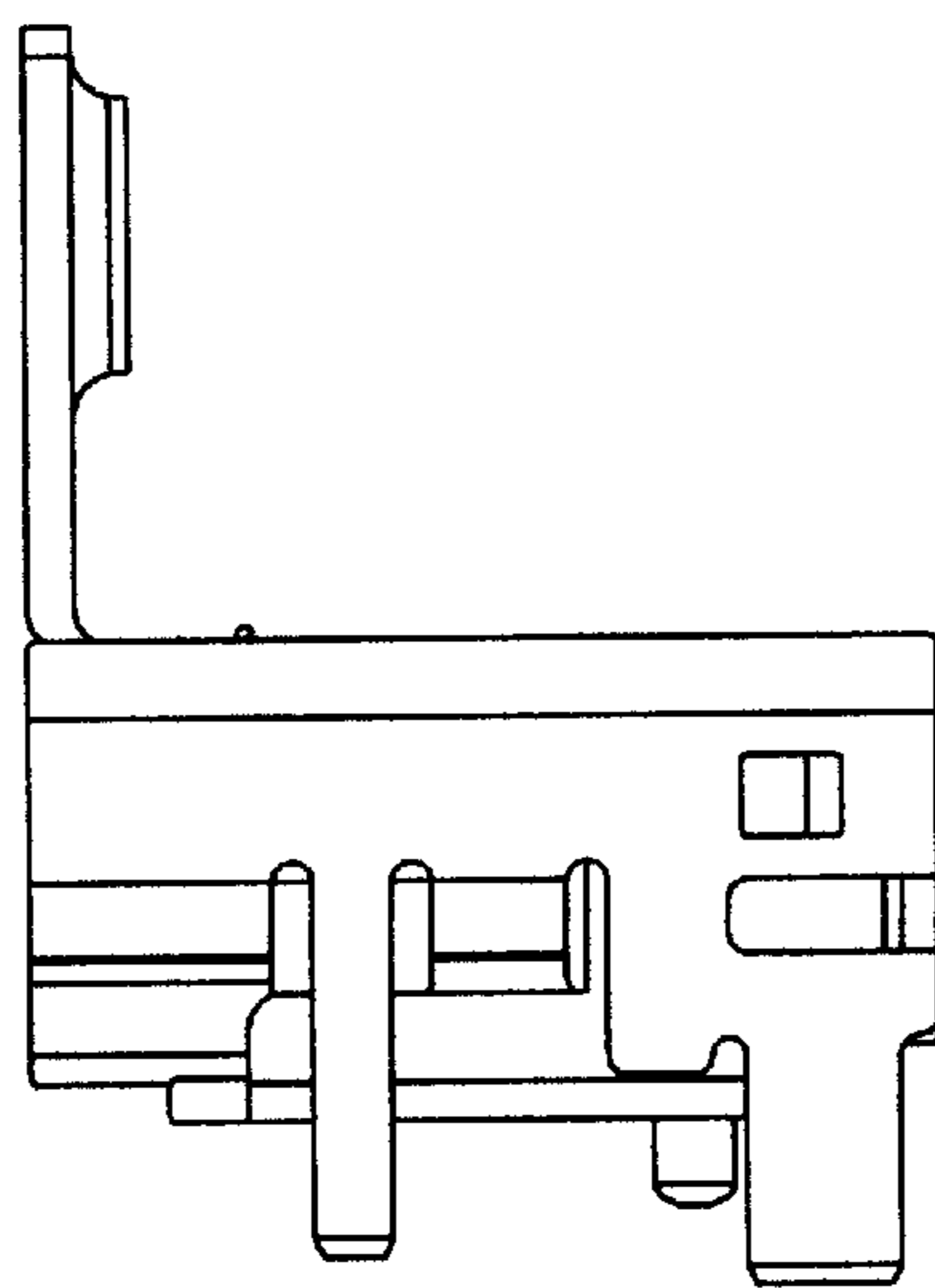


FIG. 7