



US00D510068S

(12) **United States Design Patent**
Haggay et al.

(10) **Patent No.: US D510,068 S**
(45) **Date of Patent: ** Sep. 27, 2005**

(54) **PATCH PANEL FOR COMMUNICATION EQUIPMENT**

5,773,763 A * 6/1998 Stachulla 174/135
6,396,992 B1 * 5/2002 Debal 385/135

(75) Inventors: **Yaakov Haggay**, Kfar Saba (IL);
Pinchas Shifris, Tel Aviv (IL)

* cited by examiner

Primary Examiner—Stella Reid
Assistant Examiner—Selina Sikder

(73) Assignee: **RIT Technologies Ltd**, Tel Aviv (IL)

(74) *Attorney, Agent, or Firm*—Pearl Cohen Zedek; Latzer LLP

(**) Term: **14 Years**

(57) **CLAIM**

(21) Appl. No.: **29/165,866**

The ornamental design for the “patch panel for communication equipment,” as shown.

(22) Filed: **Aug. 19, 2002**

DESCRIPTION

(30) **Foreign Application Priority Data**

Mar. 11, 2002 (IL) 36304

FIG. 1 is a front perspective view of a first embodiment of the patch panel for communication equipment showing our new design;

(51) **LOC (8) Cl.** **13-03**

FIG. 2 is a rear perspective view thereof;

(52) **U.S. Cl.** **D13/147**

FIG. 3 is a front view thereof;

(58) **Field of Search** D13/147; 174/135;
385/55, 135; 439/49, 188, 532, 540.1, 551,
557

FIG. 4 is a rear view thereof;

FIG. 5 is a top view thereof;

FIG. 6 is a bottom view thereof;

FIG. 7 is a right side view thereof; and,

FIG. 8 is a left side view thereof.

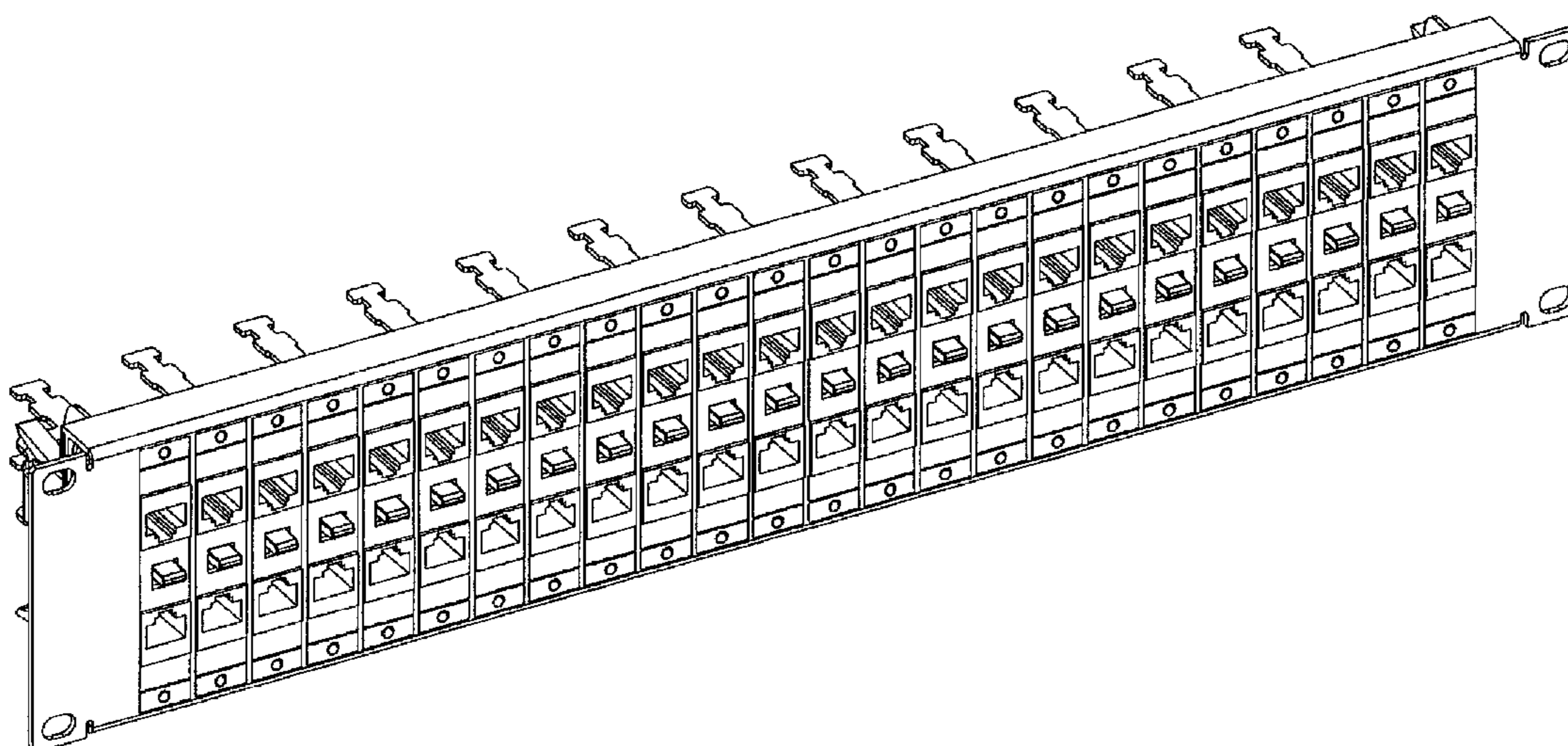
(56) **References Cited**

U.S. PATENT DOCUMENTS

5,145,380 A * 9/1992 Holcomb et al. 439/49
D359,475 S * 6/1995 Coffey D13/154
5,575,665 A * 11/1996 Shramawick et al. 439/49

The broken line showing of the environment is for illustrative purpose only and forms no part of the claimed design.

1 Claim, 8 Drawing Sheets



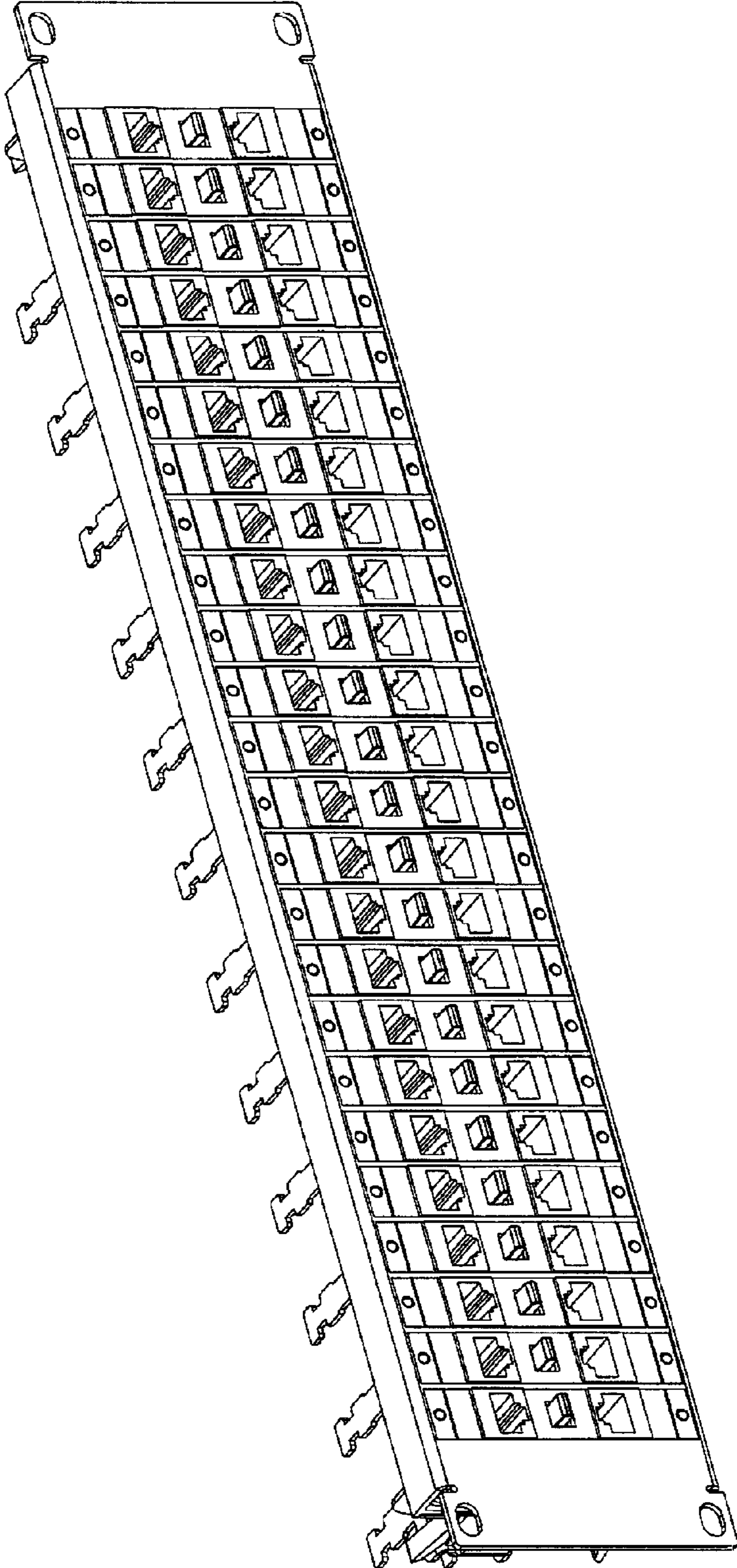


FIG. 1

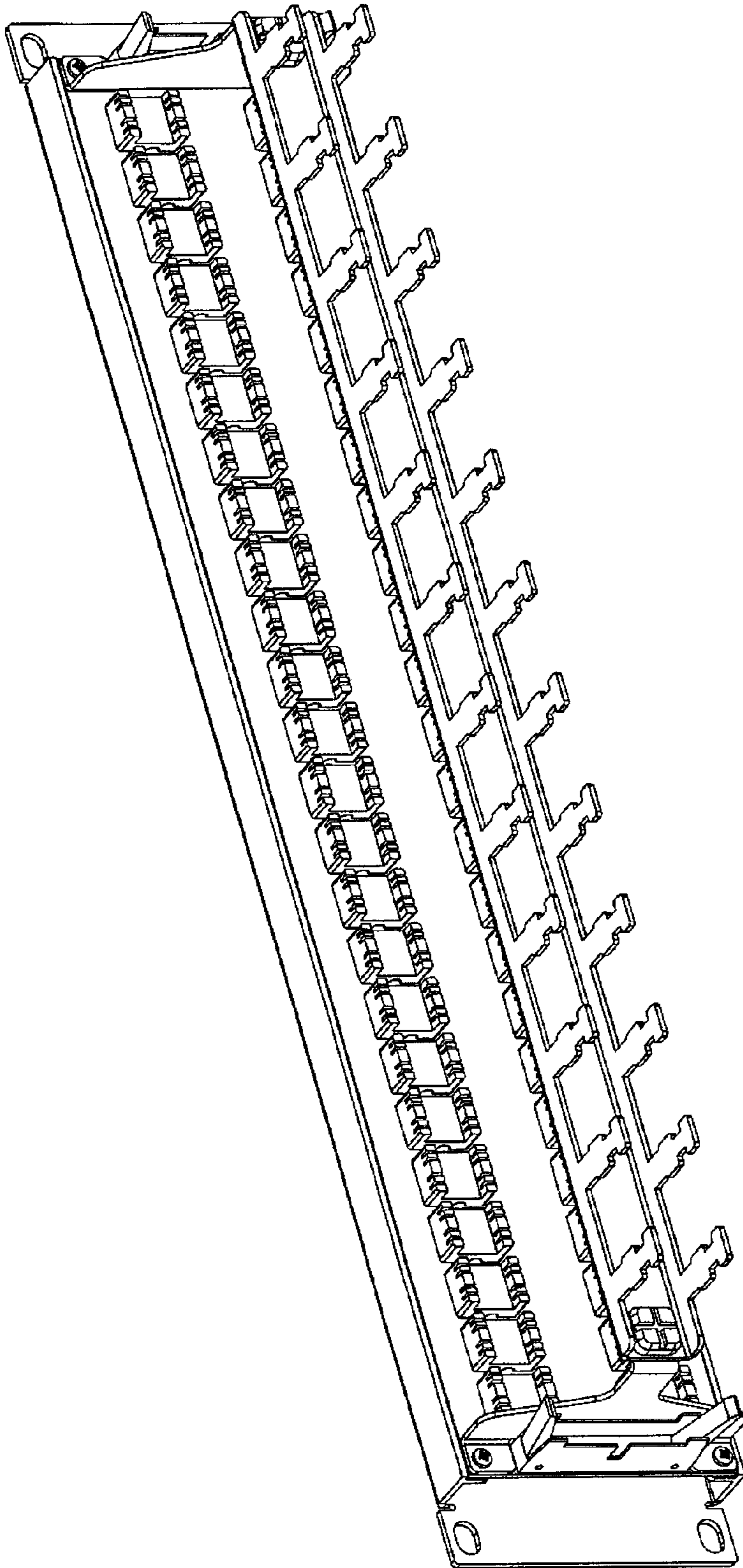


FIG. 2

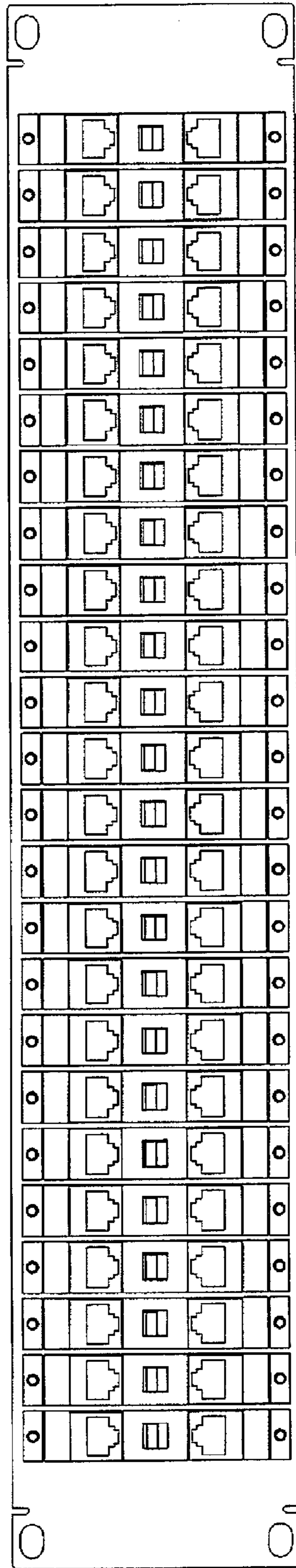


FIG. 3

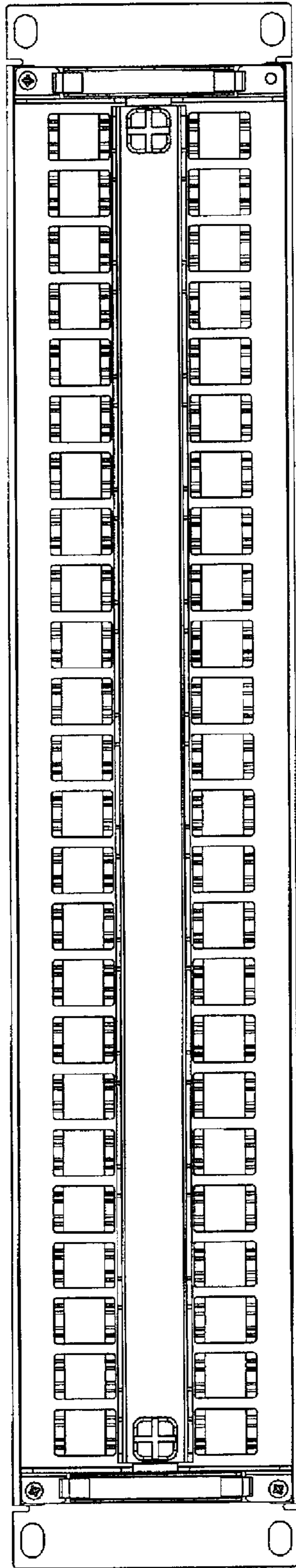


FIG. 4

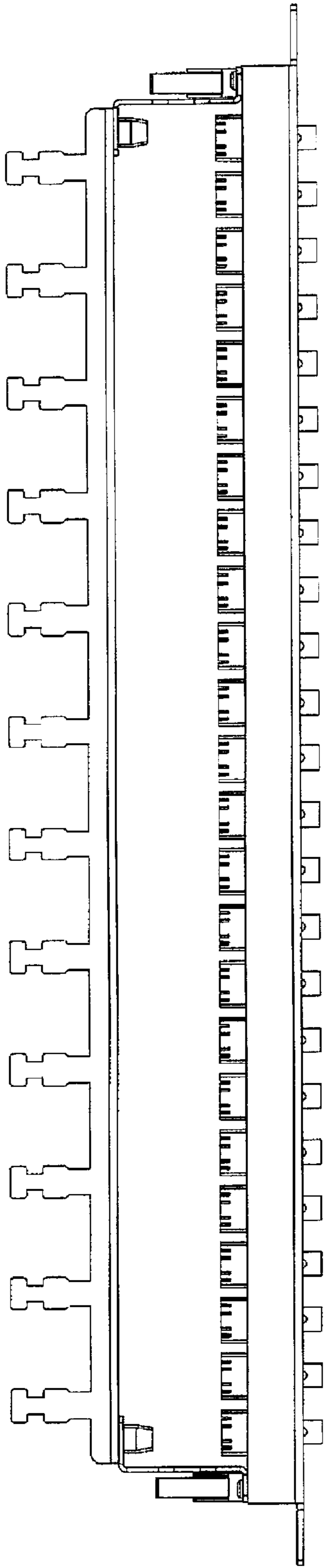


FIG. 5

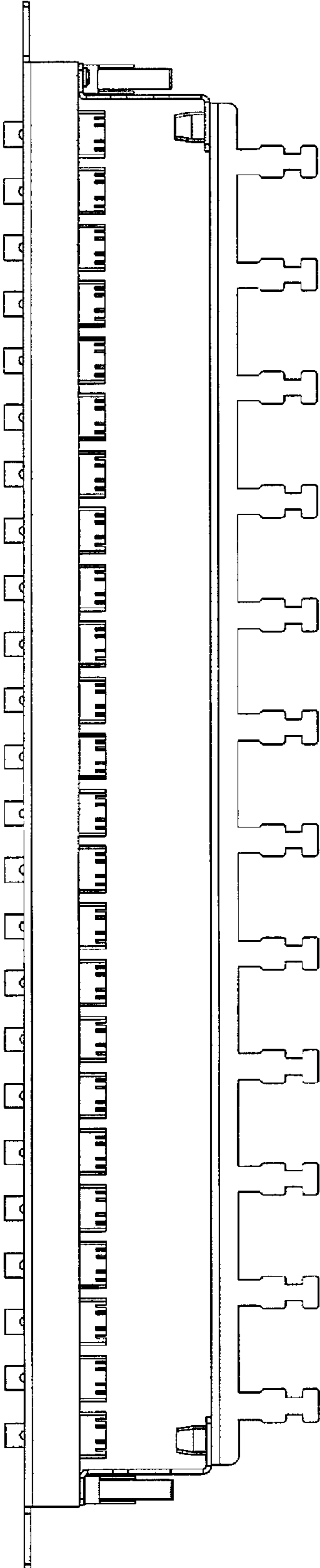


FIG. 6

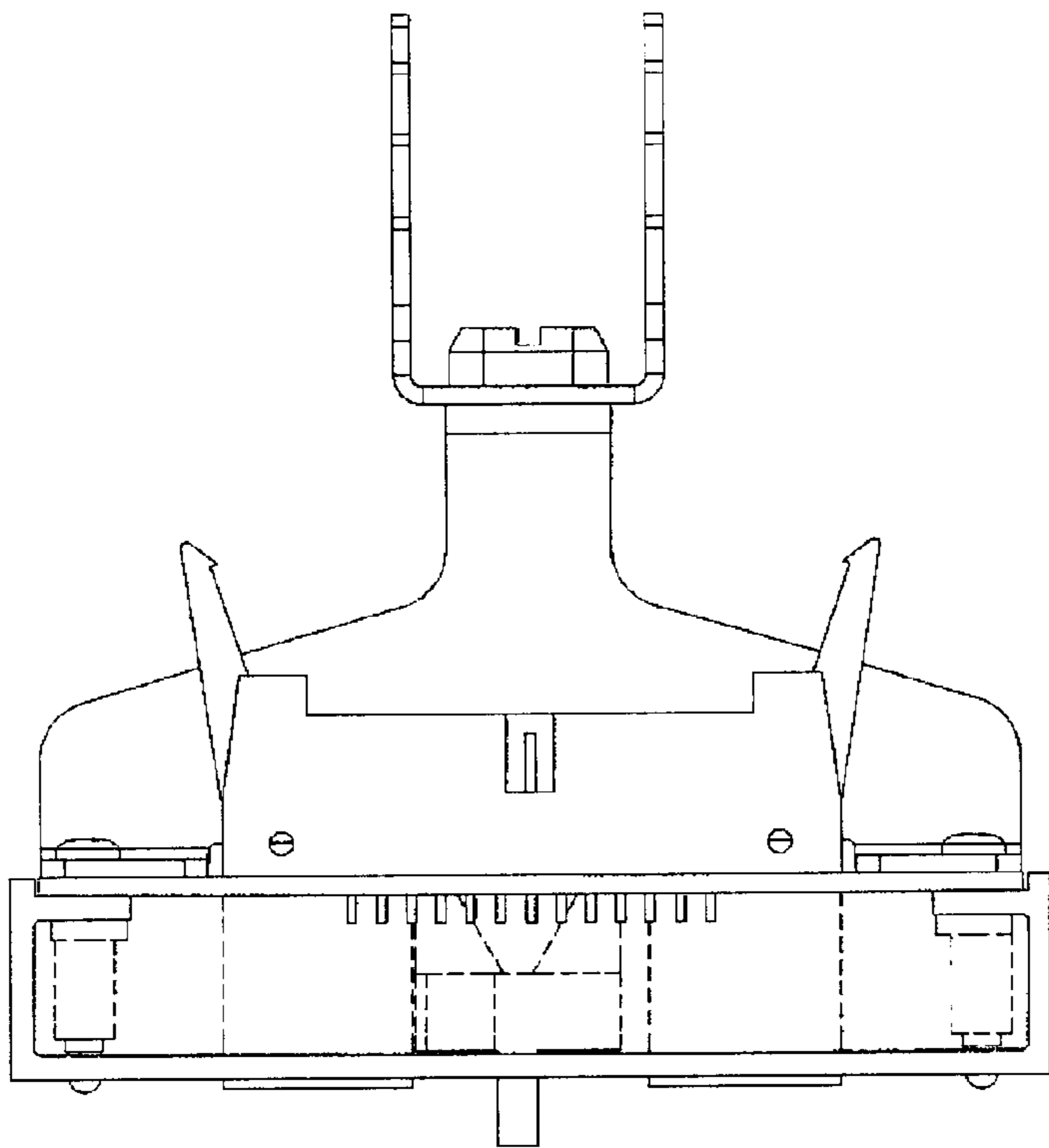


FIG. 7

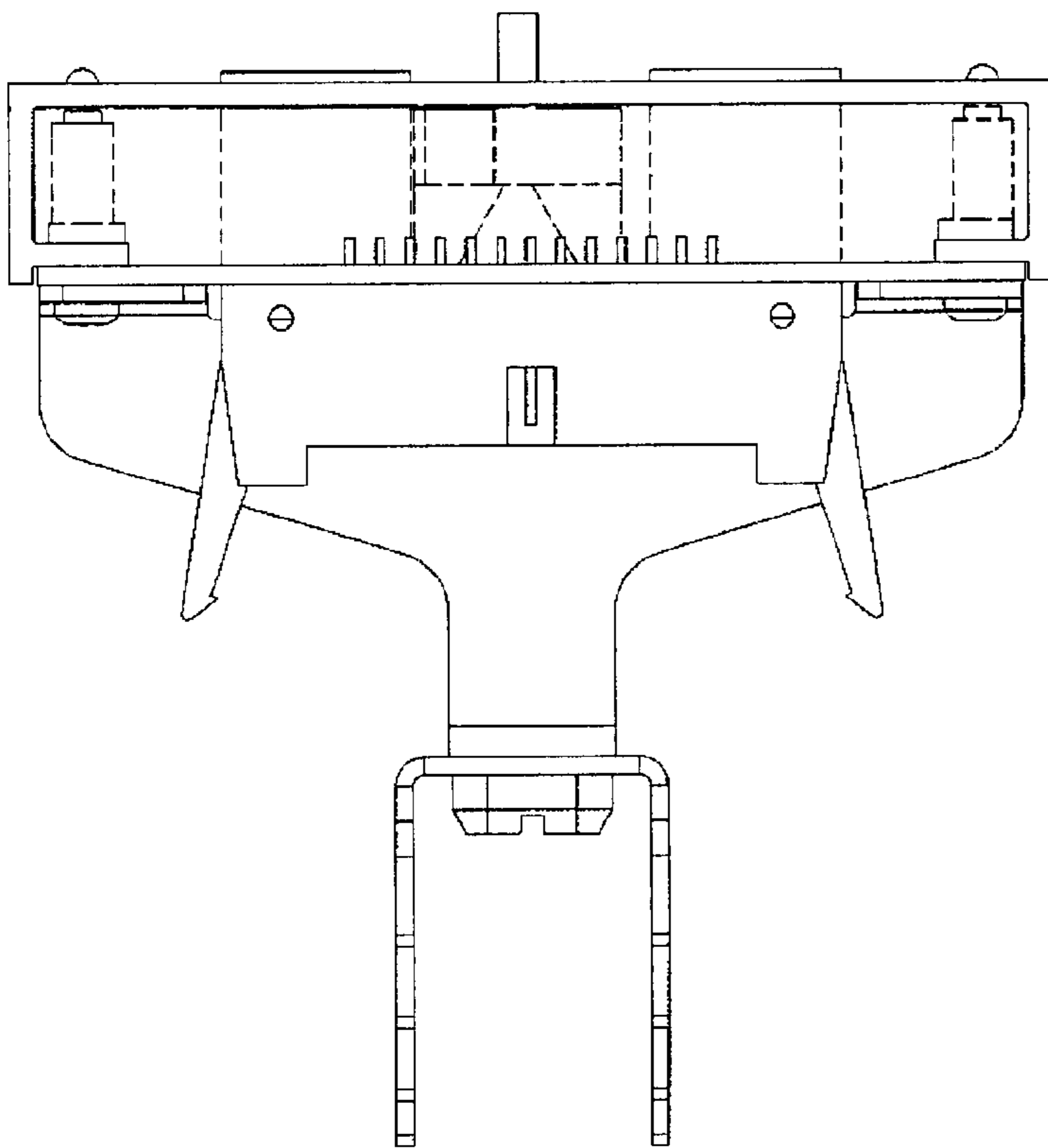


FIG. 8